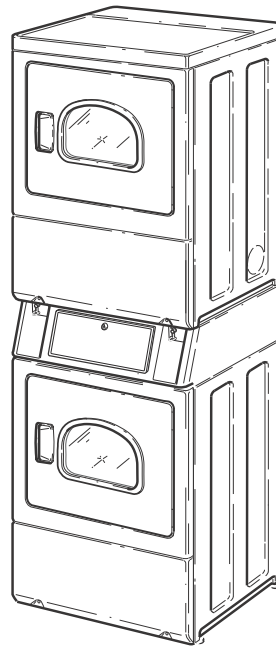
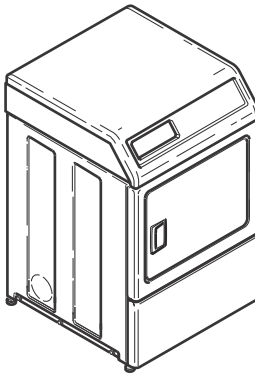
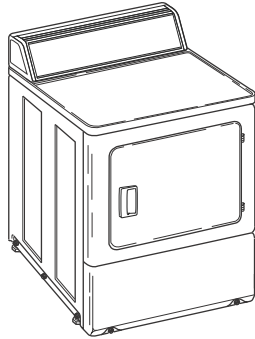


Dryers

Homestyle

Refer to Page 3 for Model Numbers



DRY726C_515156

Table of Contents

Title	Page
Parts Ordering Information.....	2
Serial Plate Location	2
Model Identification	3
Control Panel and Controls - Rear Control	4
Control Panel and Controls - Front Control.....	6
Control Panel and Controls - Stacked Models	8
Loading Door - With Window	10
Loading Door - Without Window	12
Access Panel, Front Panel and Seal	14
Motor, Exhaust Fan and Belt	16
Front Bulkhead, Air Duct, Felt Seal and Cylinder	18
Rear Bulkhead, Felt Seal, Cylinder Roller and Terminal Block.....	20
Heater Duct and Element Assembly	22
Heater Duct Assembly	24
Gas Valve, Igniter and Gas Conversion Kits.....	26
Cabinet, Exhaust Duct and Base - Single Dryers	28
Cabinet, Exhaust Duct and Base - Stacked Dryers (Drawing 1 of 2).....	30
Cabinet, Exhaust Duct and Base - Stacked Dryers (Drawing 2 of 2).....	32
Lead-In Cord	34
Power Cord and Junction Box	36
Terminal Block and Terminals	38
Terminals	40
Terminals and Terminal Extractor Tools	42
Wire Harnesses and Wires - Gas Stack Models.....	44
Wire Harnesses and Wires - Electric Stack Models.....	46
Wire Harnesses and Wires - Gas Front Control Single Models.....	48
Wire Harnesses and Wires - Electric Front Control Single Models.....	50
Wire Harnesses and Wires - Rear Control Single Models	52
Parts Index.....	55

© Copyright 2016, Alliance Laundry Systems LLC

All rights reserved. No part of the contents of this book may be reproduced or transmitted in any form or by any means without the expressed written consent of the publisher.

Parts Ordering Information

If literature or replacement parts are required, contact the source from whom the machine was purchased or contact Alliance Laundry Systems at (920) 748-3950 for the name and address of the nearest authorized parts distributor.

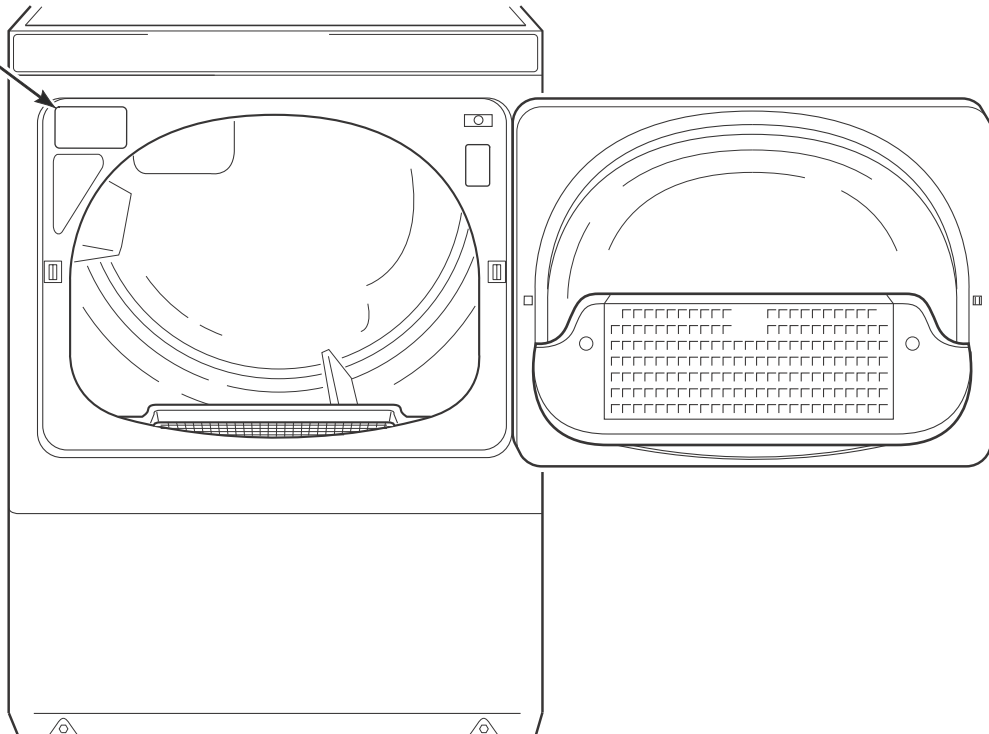
For technical assistance, call either of the numbers listed below:

(920) 748-3121 Ripon, Wisconsin

Serial Plate Location

When calling or writing about your product, be sure to mention model and serial numbers. Model and serial numbers are located on serial plate(s) as shown.

SERIAL PLATE



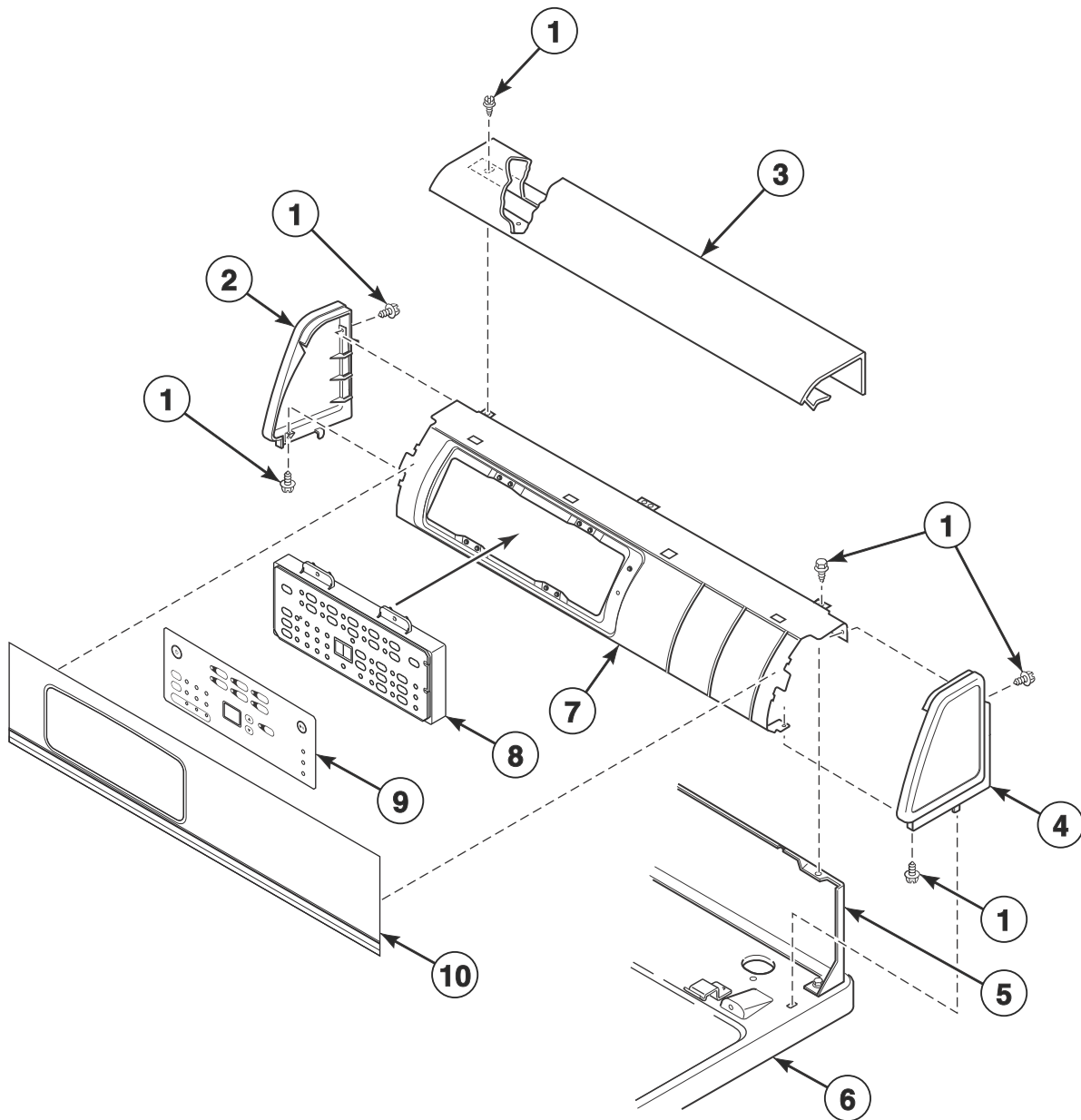
DRY2283P_515156

Model Identification

Information in this manual is applicable to these dryer models:

BDEE6BGS173CW01	LDLE5BGS303NW26	PDEE3BGS173TG01
BDEE6BGS173TW01	LDLE7RWS303NW26	PDEE4RGS173TG01
BDGE6BGS113CW01	LSEA5FGS153TW01	PDGE3BGS113TG01
BDGE6BGS113TW01	LSEA5FGS153TW04	PDGE4RGS113TG01
LDEA5RGS173TW01	LSEA5FGS173TW01	UDEE5BGS173CW01
LDEA5RGS173TW04	LSEA5FGS173TW04	UDEE5BGS173CW08
LDEE5BGS153TW01	LSEE5AGS153TW01	UDGE5BGS113TW01
LDEE5BGS173CW01	LSEE5AGS173TW01	YDEE5BGS173CW01
LDEE5BGS173TW01	LSEE5AGW153TW01	YDEE7RGS153CW01
LDEE7RGS153CW01	LSEE5AGW173TW01	YDEE7RGS173CW01
LDEE7RGS173CW01	LSEE5AGW283CW01	YDGE5BGS113CW01
LDEE7RWS173TW01	LSEE5AGW293CW01	YDGE7RGS113CW01
LDGA5RGS113TW01	LSGA5FGS113TW01	YSEE5AGS153TW01
LDGE5BGS113CW01	LSGE5AGS113TW01	YSEE5AGS173TW01
LDGE5BGS113TW01	LSGE5AGW093CW01	YSGE5AGS113TW01
LDGE7RGS113CW01	LSGE5AGW113TW01	
LDGE7RWS113TQ01	LSLE5AGS303NW22	
LDGE7RWS113TW01	LSLE5AGW543NW23	
	LSLE5AGW543ZW01	

Control Panel and Controls - Rear Control

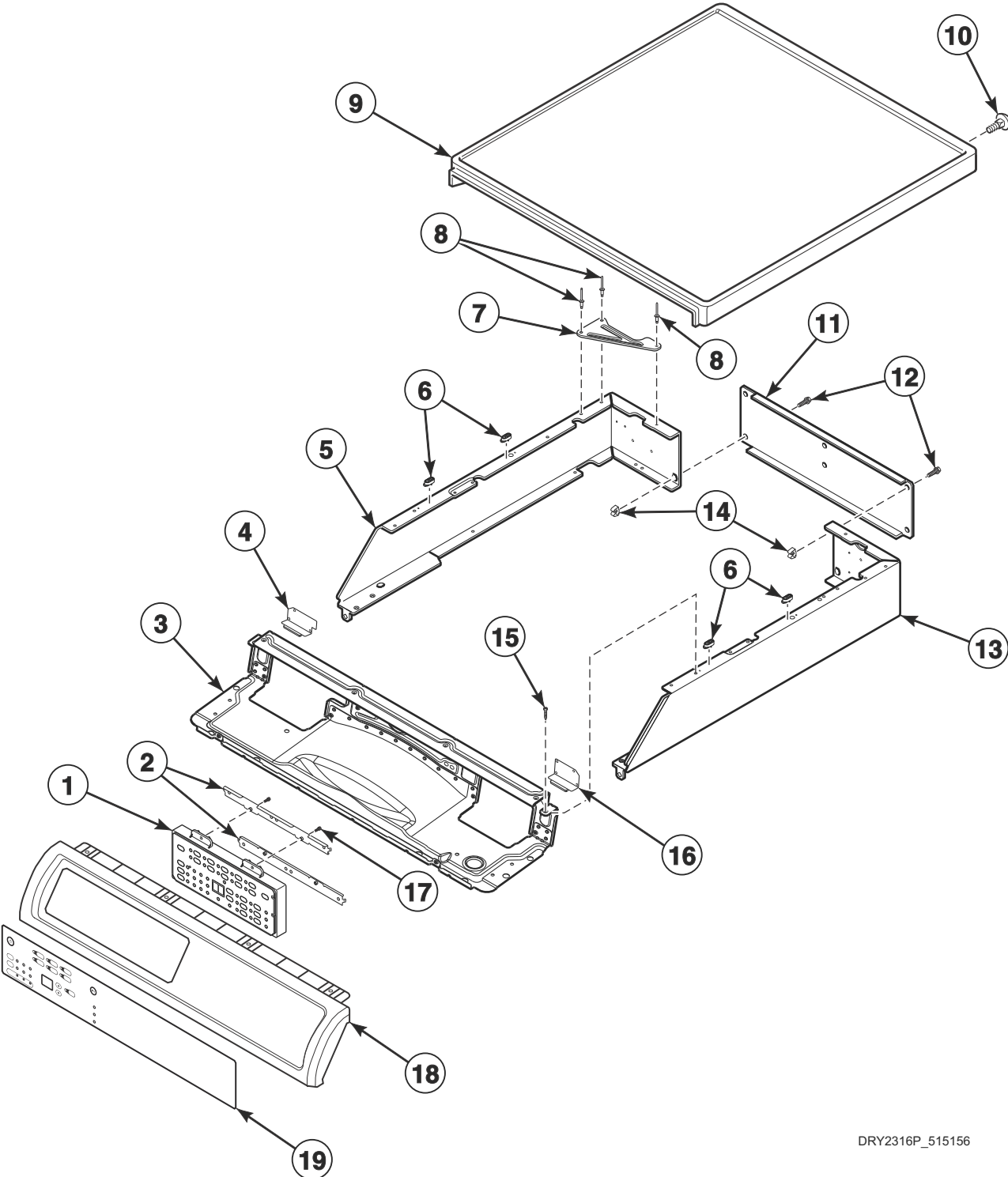


DRY2323P_515156

Control Panel and Controls - Rear Control

REF	PART NO.	DESCRIPTION	COMMENTS
1	501086	Screw	
2	504007P	End Panel	Left; Models PDEE4RGS173TG01 and PDGE4RGS113TG01
	504009WP	End Panel	Left; All other models
3	505808DG	Top Cover	Gray; Models PDEE4RGS173TG01 and PDGE4RGS113TG01
	505808W	Top Cover	All other models
4	504006P	End Panel	Right; Models PDEE4RGS173TG01 and PDGE4RGS113TG01
	504008WP	End Panel	Right; All other models
5	804169	Hood Back Panel	
6	510029DG	Top Panel	Models PDEE4RGS173TG01 and PDGE4RGS113TG01
	510029WP	Top Panel Kit	All other models
7	804836	Control Support Panel	
8	515506P	Control Assembly	Includes item 9; Models LDEE7RGS153CW01, LDEE7RGS173CW01, LDGE7RGS113CW01, LDLE7RWS303NW26, YDEE7RGS153CW01, YDEE7RGS173CW01 and YDGE7RGS113CW01
	515505P	Control Assembly	Includes item 9; Models LDEE7RWS173TW01, LDGE7RWS113TQ01 and LDGE7RWS113TW01
	515430P	Control Assembly	Models LDEA5RGS173TW01, LDEA5RGS173TW04 and LDGA5RGS113TW01
	514121P	Control Assembly	Models PDEE4RGS173TG01 and PDGE4RGS113TG01
9	514191	Control Overlay	Models LDLE7RWS303NW26, YDEE7RGS153CW01, YDEE7RGS173CW01 and YDGE7RGS113CW01
	514189	Control Overlay	Models LDEE7RGS153CW01, LDEE7RGS173CW01, LDEE7RWS173TW01, LDGE7RGS113CW01, LDGE7RWS113TQ01 and LDGE7RWS113TW01
	515082	Overlay	Models LDEA5RGS173TW01, LDEA5RGS173TW04 and LDGA5RGS113TW01
	515678	Control Overlay	Models PDEE4RGS173TG01 and PDGE4RGS113TG01
10	805448	Graphic Panel	Models YDEE7RGS153CW01, YDEE7RGS173CW01 and YDGE7RGS113CW01
	805406	Graphic Panel	Models LDEA5RGS173TW01, LDEE7RGS153CW01, LDEE7RGS173CW01, LDEE7RWS173TW01, LDGA5RGS113TW01, LDGE7RGS113CW01, LDGE7RWS113TQ01 and LDGE7RWS113TW01
	805608	Graphic Panel	Models PDEE4RGS173TG01 and PDGE4RGS113TG01

Control Panel and Controls - Front Control

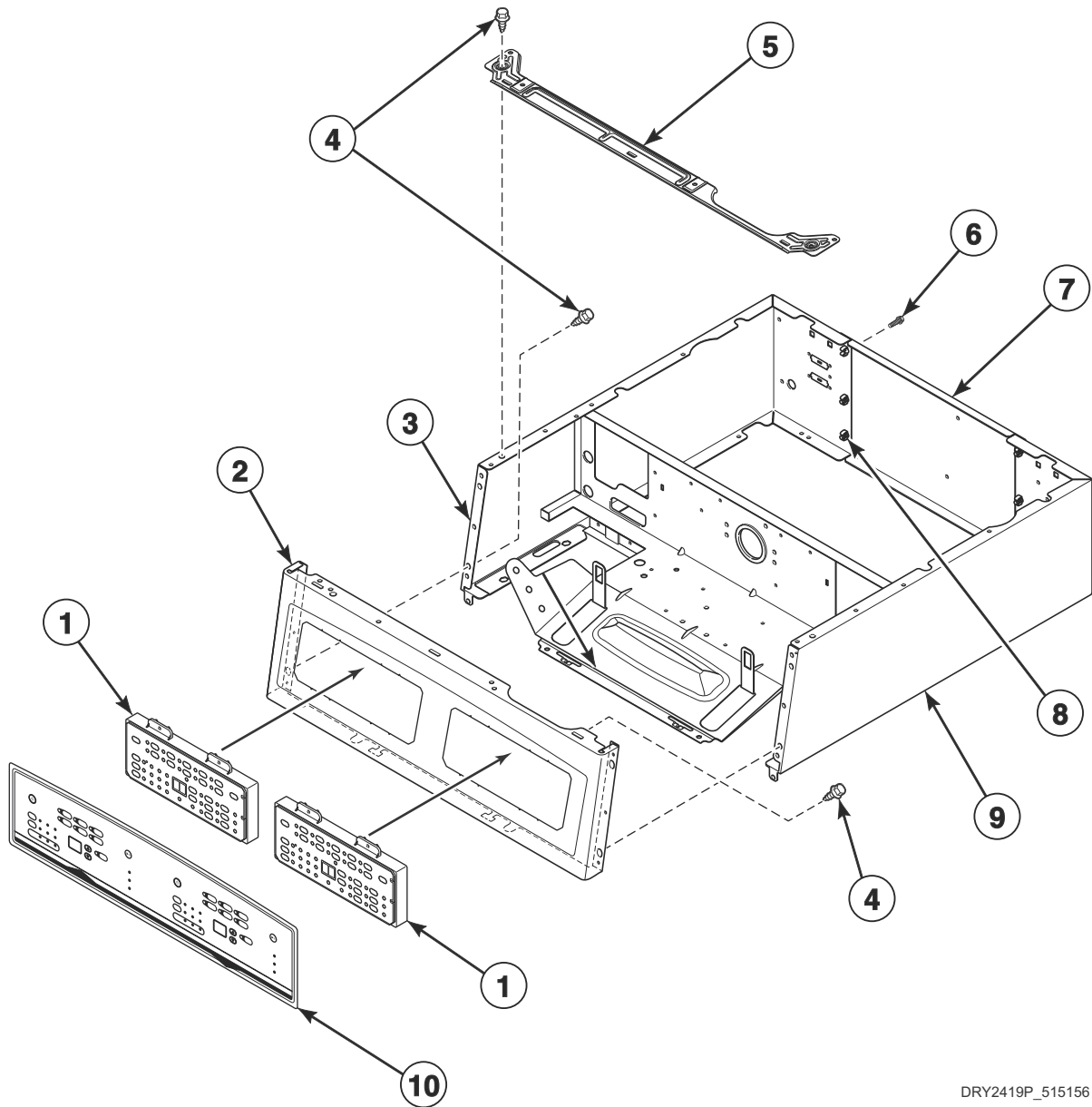


DRY2316P_515156

Control Panel and Controls - Front Control

REF	PART NO.	DESCRIPTION	COMMENTS
1	514566P	Control	Models BDEE6BGS173CW01, BDEE6BGS173TW01, BDGE6BGS113CW01 and BDGE6BGS113TW01
	513797P	Output Control Assembly	Models LDEE5BGS153TW01, LDEE5BGS173CW01, LDEE5BGS173TW01, LDGE5BGS113CW01, LDGE5BGS113TW01, LDLE5BGS303NW26, UDEE5BGS173CW01, UDEE5BGS173CW08, UDGE5BGS113TW01, YDEE5BGS173CW01 and YDGE5BGS113CW01
	514121P	Control Assembly	Models PDEE3BGS173TG01 and PDGE3BGS113TG01
2	804611	Control Bracket	2 required
3	804613	Top Panel Brace Assembly	
4	804741	Control Access Panel	Left; Models BDEE6BGS173CW01, BDEE6BGS173TW01, LDEE5BGS153TW01, LDEE5BGS173CW01, LDEE5BGS173TW01, UDEE5BGS173CW01, UDEE5BGS173CW08 and YDEE5BGS173CW01
5	804627DG	Control Wrapper	Left; Models PDEE3BGS173TG01 and PDGE3BGS113TG01
	804627W	Control Wrapper	Left; All other models
6	803761	Top Panel Guide	4 required; Use 39733 Screw to attach
7	805345	Rear Wrapper Brace	
8	685847	Pop Rivet	
9	804685DG	Top Panel	Gray; Models PDEE3BGS173TG01 and PDGE3BGS113TG01
	804685WP	Top Panel	White; All other models
10	503661	Screw	2 required
11	804614	Rear Access Panel	
12	70240301	Screw	4 required
13	804630DG	Control Wrapper	Right; Models PDEE3BGS173TG01 and PDGE3BGS113TG01
	804630W	Control Wrapper	Right; All other models
14	70030501	Expansion Clip	
15	503688	Screw	
16	804793	Control Access Panel	Right; Models BDEE6BGS173CW01, BDEE6BGS173TW01, LDEE5BGS153TW01, LDEE5BGS173CW01, LDEE5BGS173TW01, UDEE5BGS173CW01, UDEE5BGS173CW08 and YDEE5BGS173CW01
17	804608	Screw	
18	804960	Control Panel Assembly	Model LDLE5BGS303NW26
	804992	Control Panel Assembly	Models PDEE3BGS173TG01 and PDGE3BGS113TG01
	804659W	Control Panel Assembly	Use 804667 Screw to attach; All other models
19	514482	Control Overlay	Models BDEE6BGS173CW01, BDGE6BGS113CW01, LDLE5BGS303NW26, UDEE5BGS173CW01, UDEE5BGS173CW08, YDEE5BGS173CW01 and YDGE5BGS113CW01
	514925	Control Overlay	Models BDEE6BGS173TW01, BDGE6BGS113TW01, LDEE5BGS153TW01, LDEE5BGS173CW01, LDEE5BGS173TW01, LDGE5BGS113CW01, LDGE5BGS113TW01 and UDGE5BGS113TW01
	515682	Control Overlay	Models PDEE3BGS173TG01 and PDGE3BGS113TG01

Control Panel and Controls - Stacked Models



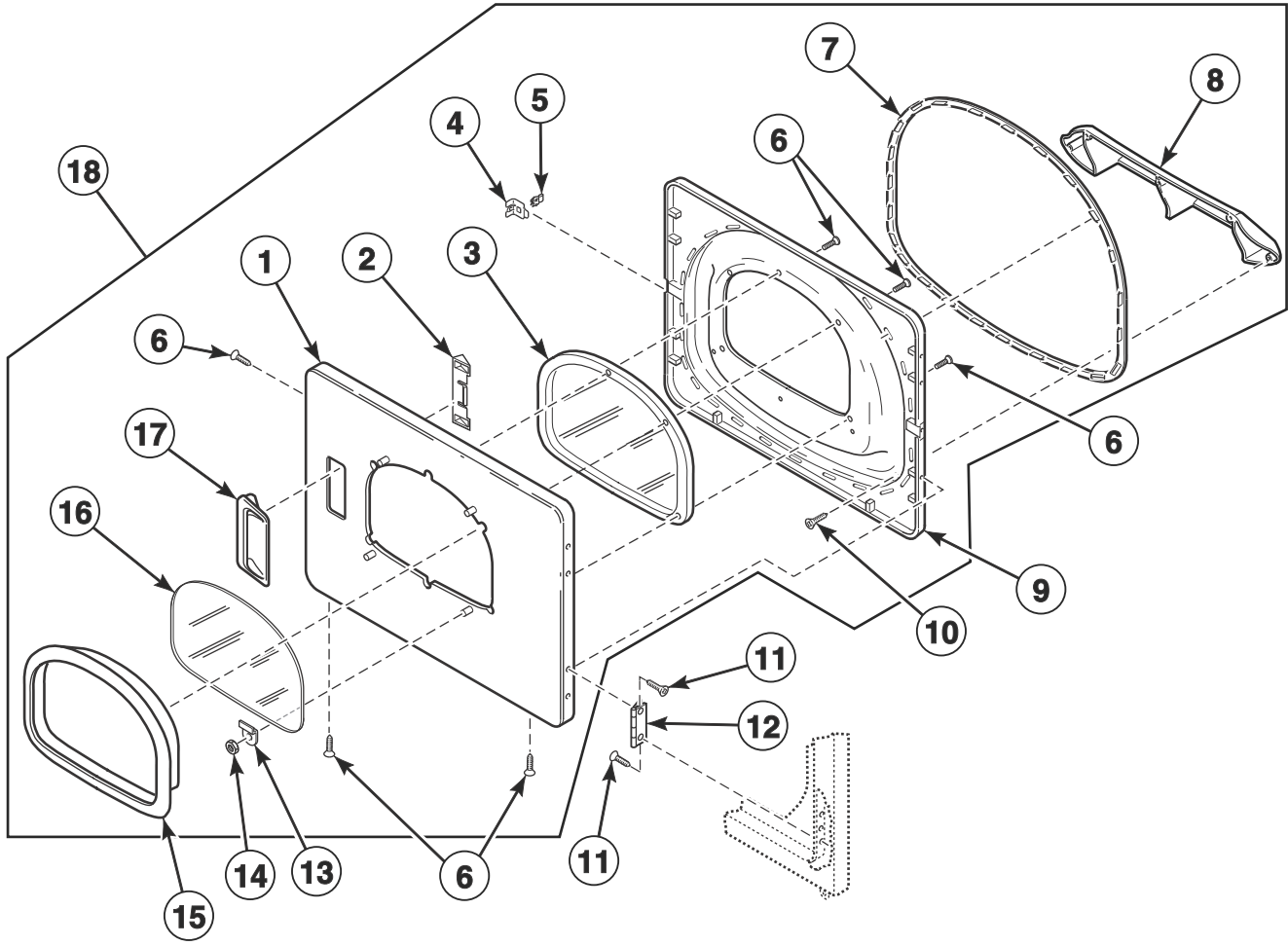
DRY2419P_515156

Control Panel and Controls - Stacked Models

REF	PART NO.	DESCRIPTION	COMMENTS
1	513797P	Output Control Assembly	2 required
2	806120W	Control Panel	Models LSEA5FGS153TW01, LSEA5FGS153TW04, LSEA5FGS173TW01, LSEA5FGS173TW04 and LSGA5FGS113TW01
	803960WP	Control Panel	All other models
3	804640W	Control Cabinet	Left; Models LSEA5FGS153TW01, LSEA5FGS153TW04, LSEA5FGS173TW01, LSEA5FGS173TW04 and LSGA5FGS113TW01
4	503688	Screw	
5	804018	Shield Bracket	
6	70240301	Screw	
7	804859	Rear Control Cabinet	Models LSEA5FGS153TW01, LSEA5FGS153TW04, LSEA5FGS173TW01, LSEA5FGS173TW04 and LSGA5FGS113TW01
	803998	Rear Access Panel	All other models
8	70030501	Expansion Clip	
9	804639W	Control Cabinet	Right; Models LSEA5FGS153TW01, LSEA5FGS153TW04, LSEA5FGS173TW01, LSEA5FGS173TW04 and LSGA5FGS113TW01
	804112W	Wrapper Assembly	All other models
10	515572	Control Overlay	Models LSEA5FGS153TW01, LSEA5FGS153TW04, LSEA5FGS173TW01, LSEA5FGS173TW04 and LSGA5FGS113TW01
	514889	Control Overlay	All other models

Loading Door - With Window

Models LSEE5AGW153TW01, LSEE5AGW173TW01, LSEE5AGW283CW01, LSEE5AGW293CW01, LSGE5AGW093CW01, LSGE5AGW113TW01, LSLE5AGW543NW23 and LSLE5AGW543ZW01



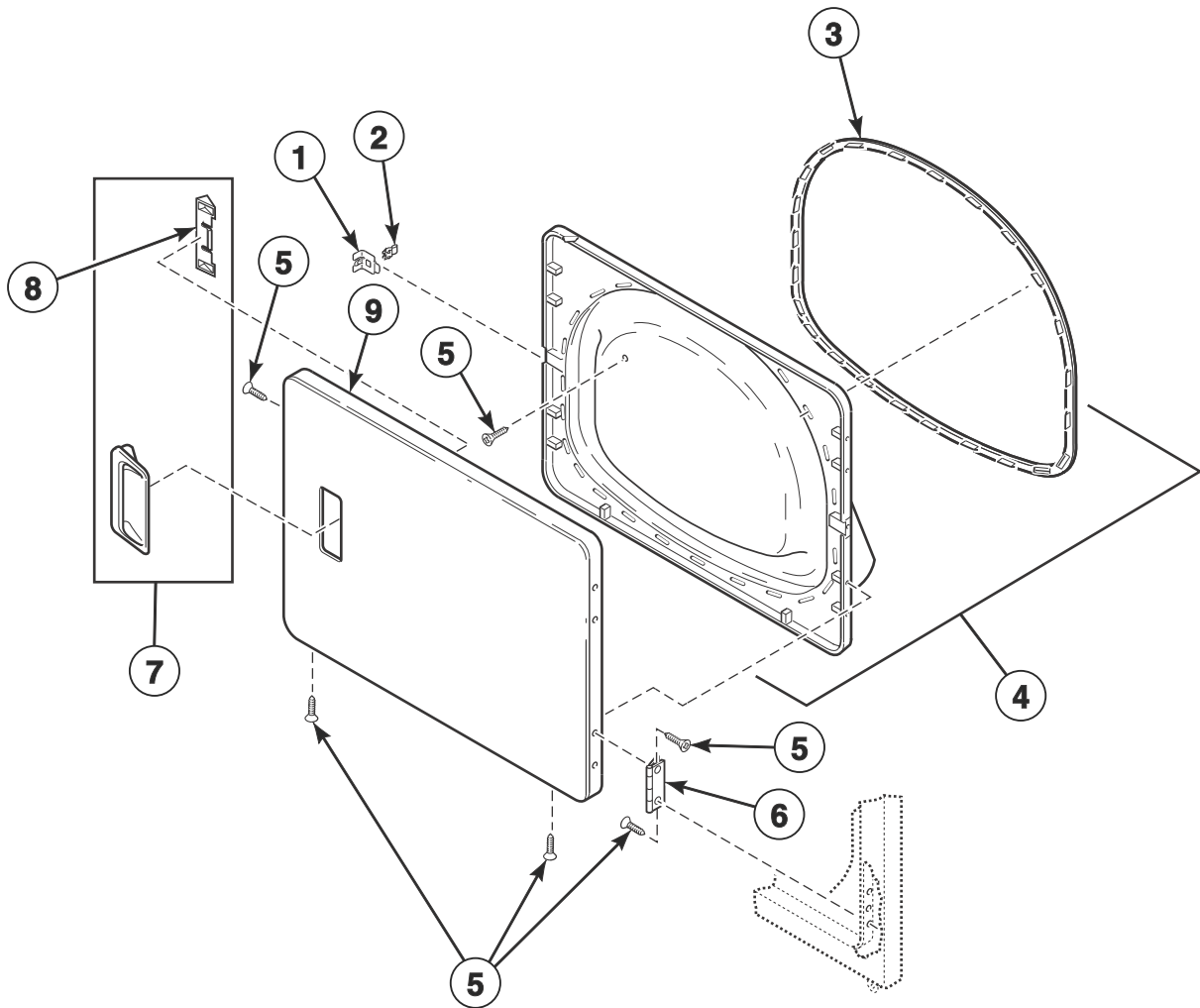
DRY2296P_515156

Loading Door - With Window

REF	PART NO.	DESCRIPTION	COMMENTS
1	514114W	Dryer Door Assembly	Models LSEE5AGW153TW01, LSEE5AGW173TW01, LSEE5AGW283CW01 and LSEE5AGW293CW01
	510082WP	Dryer Door	Models LSGE5AGW093CW01, LSGE5AGW113TW01, LSLE5AGW543NW23 and LSLE5AGW543ZW01
2	510129	Door Handle Wedge	
3	503982P	Dryer Door Window	
4	510127	Door Strike Mount	
5	510181	Door Strike	
6	500226	Screw	
7	510147P	Liner Door Seal	
8	503870LG	Door Liner Grill	Models LSEE5AGW153TW01, LSEE5AGW173TW01, LSEE5AGW283CW01 and LSEE5AGW293CW01
	503870W	Door Liner Grill	Models LSGE5AGW113TW01, LSLE5AGW543NW23 and LSLE5AGW543ZW01
9	510098LG	Liner and Seal Assembly	Includes item 7; Models LSEE5AGW153TW01, LSEE5AGW173TW01, LSEE5AGW283CW01 and LSEE5AGW293CW01
	510098W	Liner and Seal Assembly	Includes item 7; Models LSGE5AGW093CW01, LSGE5AGW113TW01, LSLE5AGW543NW23 and LSLE5AGW543ZW01
10	505870	Screw	
11	514461	Screw	
12	511036	Hinge	
13	513958	Window Clip	Models LSEE5AGW153TW01, LSEE5AGW173TW01, LSEE5AGW283CW01 and LSEE5AGW293CW01
14	44071201	Nut	Models LSEE5AGW153TW01, LSEE5AGW173TW01, LSEE5AGW283CW01 and LSEE5AGW293CW01
15	513960W	Window Trim	Models LSEE5AGW153TW01, LSEE5AGW173TW01, LSEE5AGW283CW01 and LSEE5AGW293CW01
	503981W	Window Trim	Models LSGE5AGW093CW01, LSGE5AGW113TW01, LSLE5AGW543NW23 and LSLE5AGW543ZW01
16	513910	Glass Door Window	Models LSEE5AGW153TW01, LSEE5AGW173TW01, LSEE5AGW283CW01 and LSEE5AGW293CW01
17	510103WP	Door Pull and Wedge Kit	Includes item 2
18	511636WP	Door and Liner Assembly	White; Includes items 1-10, 15 and 17; Models LSGE5AGW093CW01, LSGE5AGW113TW01, LSLE5AGW543NW23 and LSLE5AGW543ZW01

Loading Door - Without Window

All Models Except LSEE5AGW153TW01, LSEE5AGW173TW01, LSGE5AGW113TW01,
LSLE5AGW543NW23 and LSLE5AGW543ZW01

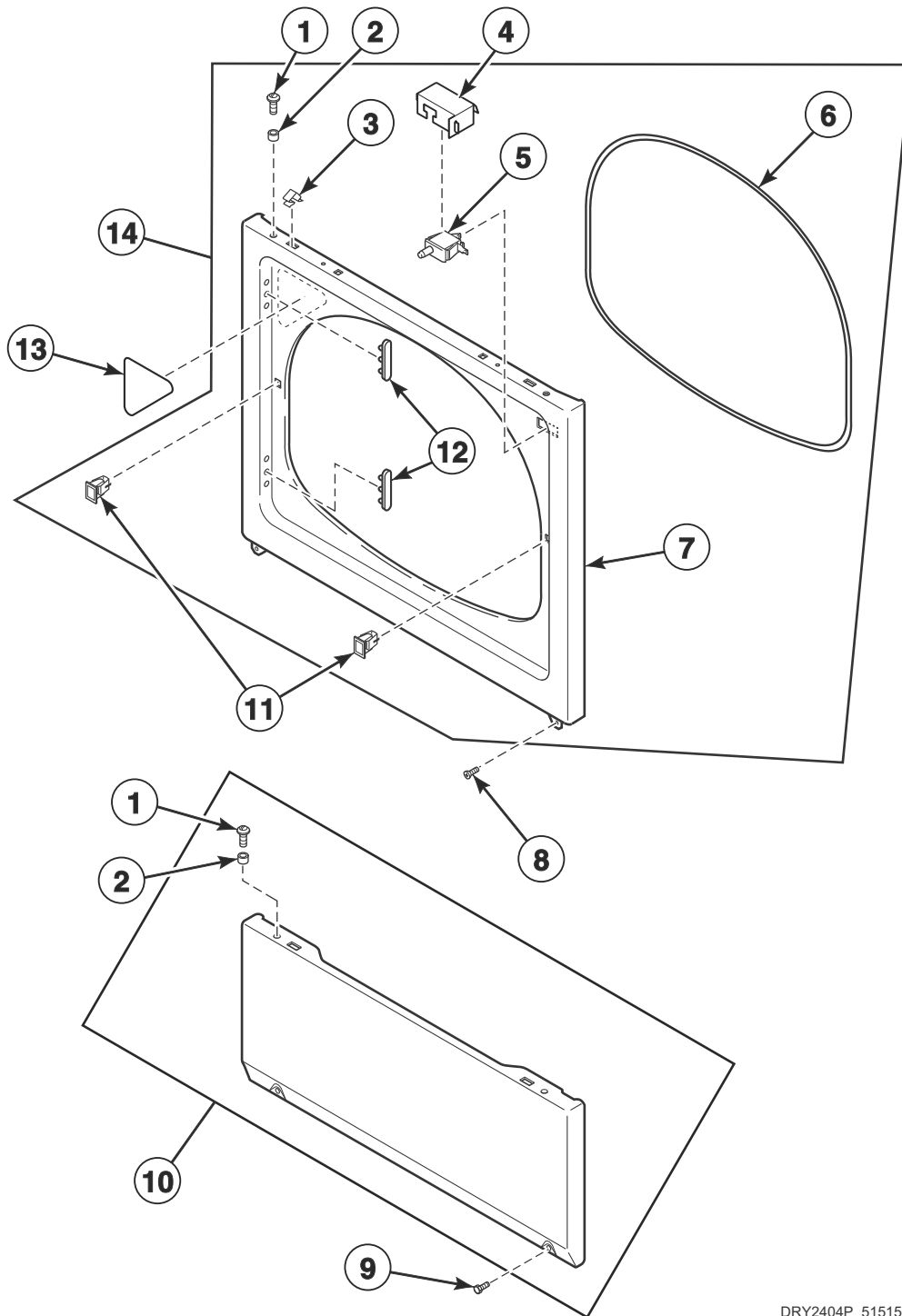


DRY1784P_515156

Loading Door - Without Window

REF	PART NO.	DESCRIPTION	COMMENTS
1	510127	Door Strike Mount	
2	510181	Door Strike	
3	510147P	Liner Door Seal	
4	510163WP	Liner, Seal and Grill Assembly	Includes item 3; Gas models
	513109P	Liner, Seal and Grill Assembly	Includes item 3; Electric models
5	514461	Screw	
6	511036	Hinge	
7	510103WP	Door Pull and Wedge Kit	White; Includes item 8
	510103QP	Door Pull and Wedge Kit	Bisque; Includes item 8
	512947	Door Pull	Gray
8	510129W	Door Handle Wedge	White
	510129LG	Door Handle Wedge	Gray
9	510013WP	Dryer Door	White
	510013QP	Dryer Door	Bisque
	510013DG	Dryer Door	Gray

Access Panel, Front Panel and Seal

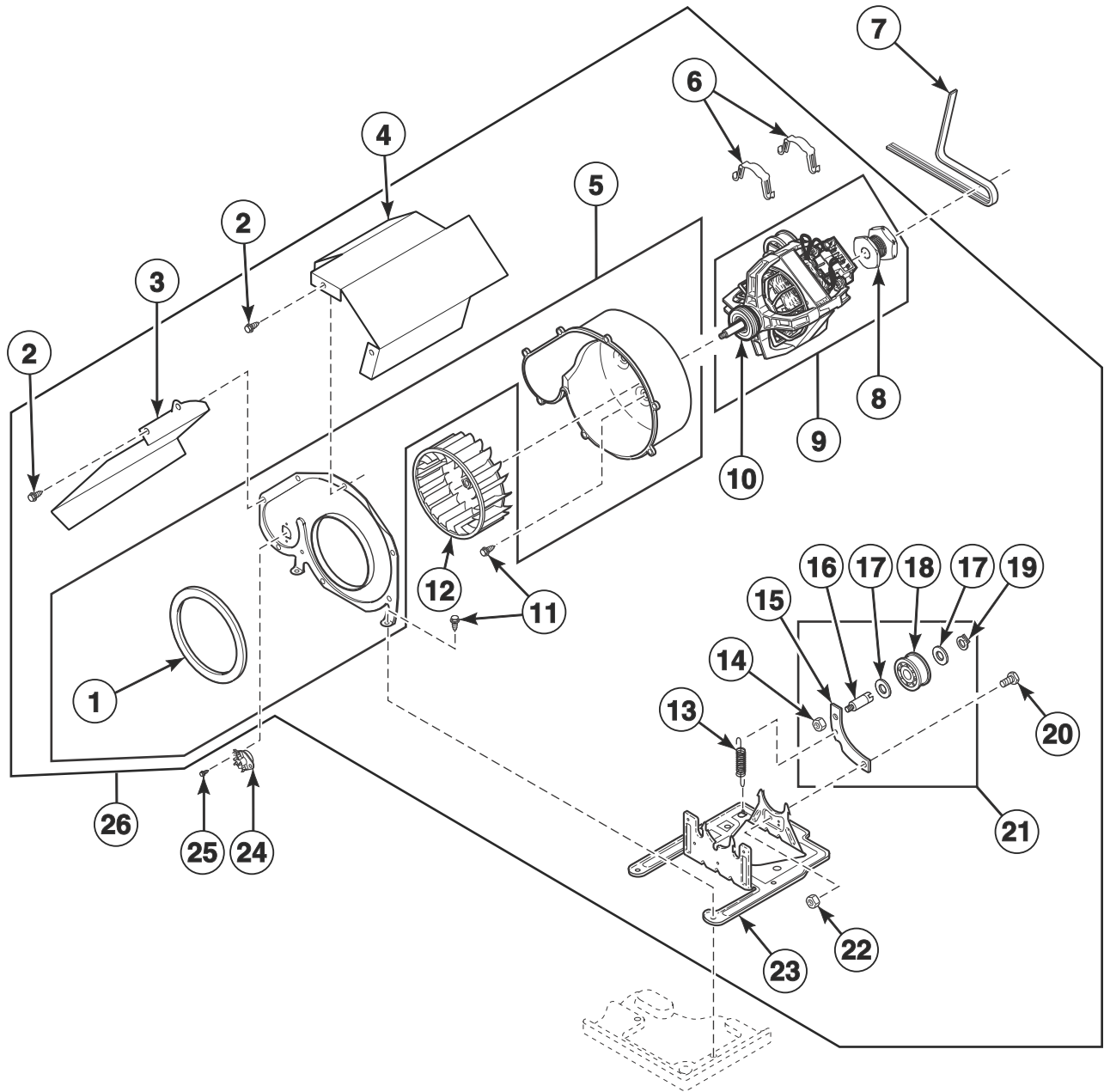


DRY2404P_515156

Access Panel, Front Panel and Seal

REF	PART NO.	DESCRIPTION	COMMENTS
1	39733	Screw	
2	56079	Panel Locator	
3	28835	Speed Clip	
4	514327	Drip Shield	Model LSLE5AGW543ZW01
5	512973	Switch	
6	511056	Front Panel Seal	
7	510066WP	Front Panel	White
	510066QP	Front Panel	Bisque
	510066DG	Front Panel	Gray
8	503688	Screw	
9	33562	Screw	
10	514250WP	Access Panel Assembly	White; Models BDGE6BGS113CW01, BDGE6BGS113TW01, LDGE5BGS113TW01, LDGE7RWS113TW01, LSGA5FGS113TW01, LSGE5AGS113TW01, LSGE5AGW093CW01, LSGE5AGW113TW01, LSLE5AGS303NW22, LSLE5AGW543NW23, LSLE5AGW543ZW01, UDGE5BGS113TW01, YDGE5BGS113CW01, YDGE7RGS113CW01 and YSGE5AGS113TW01
	514240DG	Access Panel Assembly	Gray; Models PDEE3BGS173TG01, PDEE4RGS173TG01, PDGE3BGS113TG01 and PDGE4RGS113TG01
	514250Q	Access Panel Assembly	Bisque; Model LDGE7RWS113TQ01
	514252W	Access Panel and Guard Assembly	White; Electric models
11	510177	Door Catch Assembly	
12	510186	Hinge Hole Plug	
13	500281	Warning/Caution Label	
14	513781WP	Front Panel Assembly	Models LSLE5AGS303NW22, LSLE5AGW543NW23 and LSLE5AGW543ZW01; Includes items 1-3, 5-7, 11 and 12, 511636WP Door Assembly, (2) 511036 Door Hinge and (8) 500226 Screw

Motor, Exhaust Fan and Belt

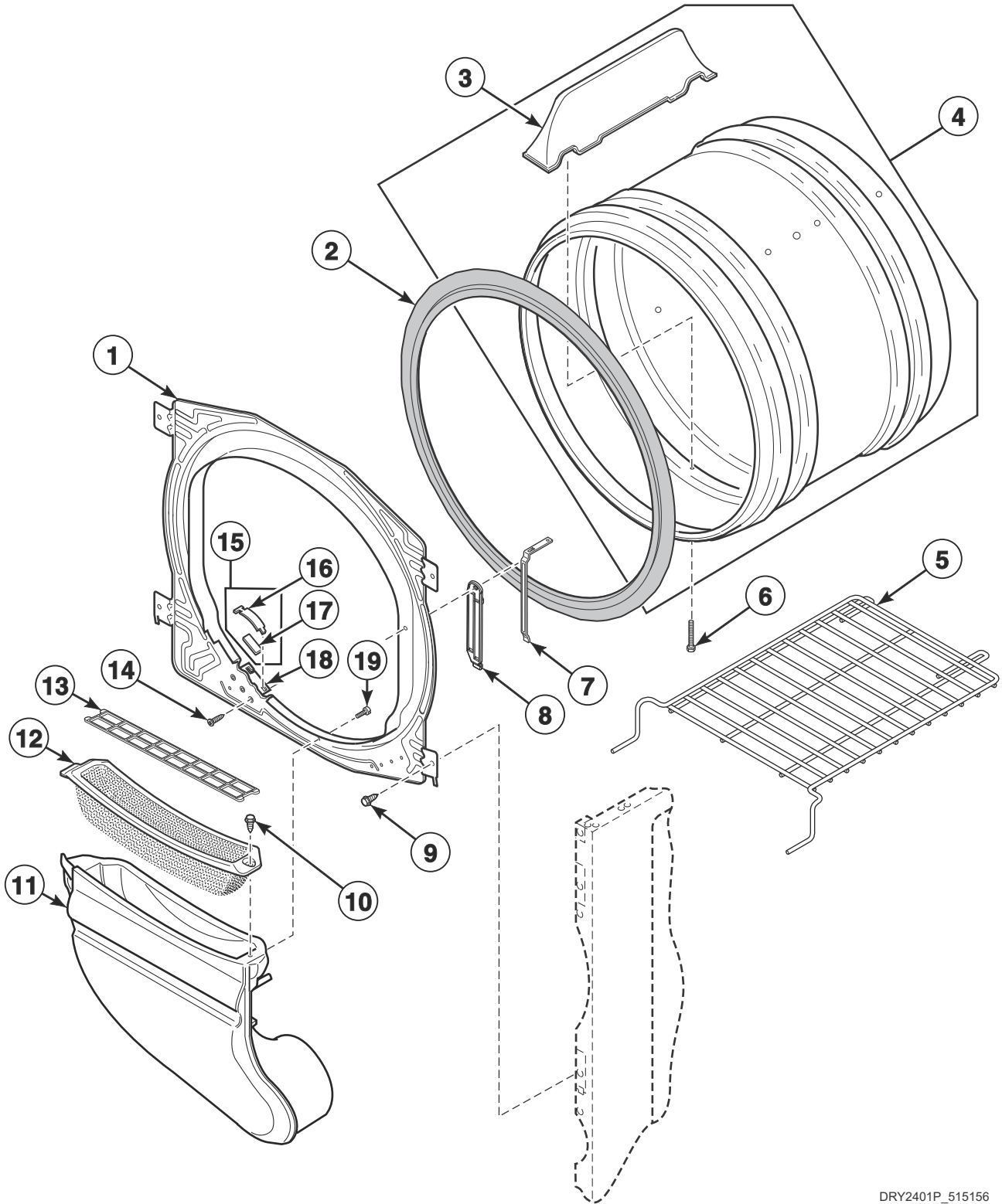


DRY2312P_515156

Motor, Exhaust Fan and Belt

REF	PART NO.	DESCRIPTION	COMMENTS
	27604P	Anti-Seize Compound	
1	510238P	Blower Housing Seal	
2	31260	Screw	
3	514325	Thermostat Shield	Model LSLE5AGW543ZW01
4	514602	Motor Shield	Models LDLE5BGS303NW26, LDLE7RWS303NW26 and LSLE5AGW543ZW01
5	511969WP	Blower Housing	Includes items 1 and 2
6	510180	Motor Mount Clamp	
7	511255P	Cylinder Belt	
8	500011	Motor Pulley	60 Hertz
9	505869P	Motor and Pulley Assembly	240 Volt/60 Hertz; Includes items 8 and 10; Models LSLE5AGW543NW23 and LSLE5AGW543ZW01
	505843P	Motor and Pulley Assembly	240 Volt/50 Hertz; Includes items 8 and 10; Models LDLE5BGS303NW26, LDLE7RWS303NW26 and LSLE5AGS303NW22
	511629P	Motor and Pulley Assembly	120 Volt/60 Hertz; Includes items 8 and 10; All other models
10	590P3	Motor Hub Ring Kit	
11	503688	Screw	
12	510139P	Blower Fan Assembly	
13	510185	Idler Spring	
14	56156	Nut	
15	510133	Idler Lever	
16	56461P	Shaft	
17	52549	Washer	
18	510142P	Idler Wheel and Bearing Assembly	
19	23748	Retaining Ring	
20	500824	Screw	
21	510158	Idler Lever and Wheel Assembly	Includes items 14-19
22	52566	Nut	
23	510060	Motor Mount	
24	502366	Thermistor Assembly	Models LDLE5BGS303NW26, LDLE7RWS303NW26 and LSLE5AGS303NW22
	510523	Thermistor Assembly	Black; All other models
25	502535	Screw	
26	510717P	Blower and Fan Kit	Includes items 1, 2, 5, 6 and 8-23

Front Bulkhead, Air Duct, Felt Seal and Cylinder

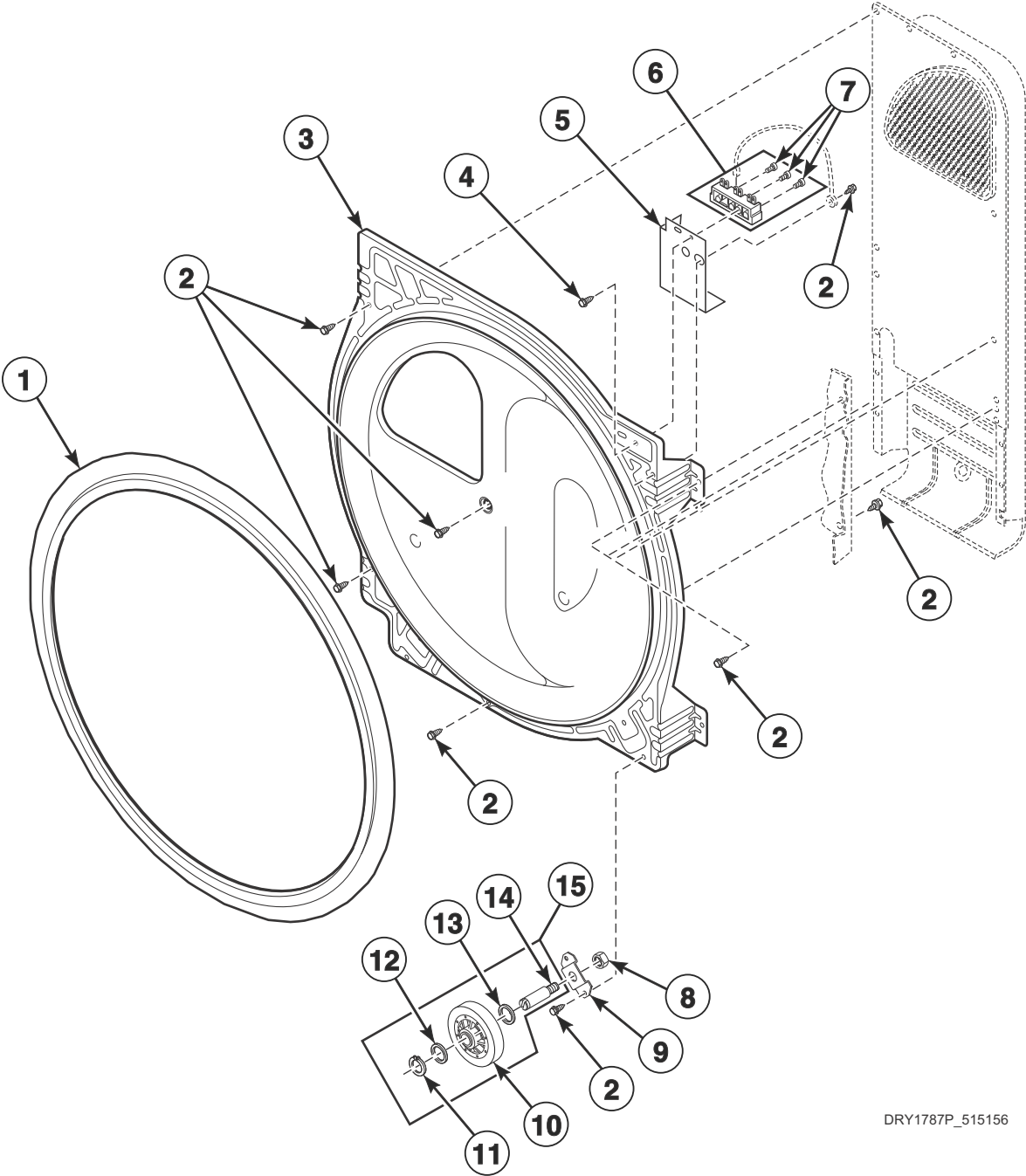


DRY2401P_515156

Front Bulkhead, Air Duct, Felt Seal and Cylinder

REF	PART NO.	DESCRIPTION	COMMENTS
	F8211201	Electrical Shock Label	Models LSLE5AGS303NW22, LSLE5AGW543NW23 and LSLE5AGW543ZW01
	F8211301	Pinched Fingers Label	Models LSLE5AGS303NW22, LSLE5AGW543NW23 and LSLE5AGW543ZW01
	44127701	Warning Label	All models except LSLE5AGS303NW22, LSLE5AGW543NW23 and LSLE5AGW543ZW01
1	513639W	Front Bulkhead	Painted; Moisture sensor; Models LDEE7RWS173TW01, LDGE7RWS113TQ01 and LDGE7RWS113TW01
	513638	Front Bulkhead	Moisture sensor; All other models
2	510207P	Cylinder Seal Assembly	
	511637P	Adhesive	For cylinder seal
	RB170001	Seal Kit	Includes 2 cylinder seals, 510238P Blower Housing Seal and 511637P Adhesive
3	510102W	Cylinder Baffle	3 required; Models BDGE6BGS113CW01, BDGE6BGS113TW01, LDGE5BGS113CW01, LDGE5BGS113TW01, LDGE7RGS113CW01, LDGE7RWS113TQ01, LDGE7RWS113TW01, LSGA5FGS113TW01, LSGE5AGS113TW01, LSGE5AGW093CW01, LSGE5AGW113TW01, LSLE5AGS303NW22, LSLE5AGW543NW23, LSLE5AGW543ZW01, PDGE3BGS113TG01, UDGE5BGS113TW01, YDGE5BGS113CW01 and YDGE7RGS113CW01
	510102LG	Cylinder Baffle	3 required; All other models
4	510159WP	Cylinder Assembly	White; Includes item 3; Models LDGE7RWS113TQ01 and LDGE7RWS113TW01
	510265WP	Cylinder Assembly	Galvanized; Includes item 3; Models BDGE6BGS113CW01, BDGE6BGS113TW01, LDGE5BGS113CW01, LDGE5BGS113TW01, LDGE7RGS113CW01, LSGA5FGS113TW01, LSGE5AGS113TW01, LSGE5AGW093CW01, LSGE5AGW113TW01, LSLE5AGS303NW22, LSLE5AGW543NW23, LSLE5AGW543ZW01, PDGE3BGS113TG01, UDGE5BGS113TW01, YDGE5BGS113CW01 and YDGE7RGS113CW01
	510265LGP	Cylinder Assembly	Gray; Includes item 3; All other models
5	512082P	Drying Rack	
6	62588	Screw	
7	513737	Bar Sensor	2 required
8	513738	Moisture Sensor Base	
9	503688	Screw	
10	501285	Screw	
11	510151W	Air Duct Assembly	Gas models
	510151LG	Air Duct Assembly	Electric models
12	503980W	Lint Filter	Gas models
	503980LG	Lint Filter	Electric models
13	510502W	Lint Filter Cover	Gas models
	510502LG	Lint Filter Cover	Electric models
14	52864	Screw	
15	RB170003	Glide Kit	Includes 2 of items 16 and 17
16	513710	Cylinder Glide	2 required
17	510189	Felt Pad	2 required
18	510145	Cylinder Glide Bracket	2 required
19	514461	Screw	

Rear Bulkhead, Felt Seal, Cylinder Roller and Terminal Block



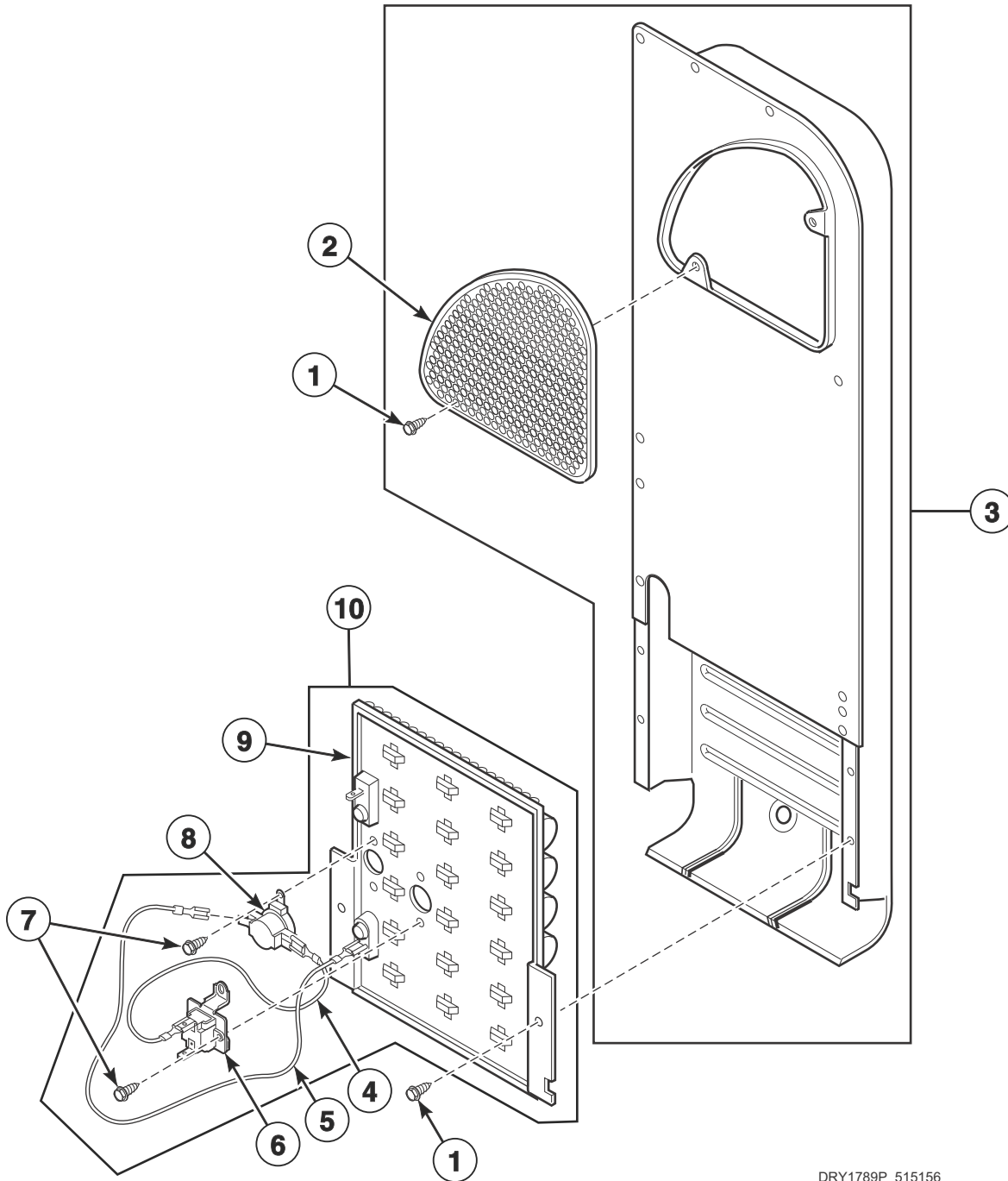
DRY1787P_515156

Rear Bulkhead, Felt Seal, Cylinder Roller and Terminal Block

REF	PART NO.	DESCRIPTION	COMMENTS
1	510207P	Cylinder Seal Assembly	
	511637P	Adhesive	For cylinder seal
	RB170001	Seal Kit	Includes 2 cylinder seals, 510238P Blower Housing Seal and 511637P Adhesive
2	503688	Screw	
3	510042W	Rear Bulkhead	White; Includes item 1; Models LDEE7RWS173TW01, LDGE7RWS113TQ01, LDGE7RWS113TW01, PDEE4RGS173TG01 and PDGE4RGS113TG01
	510041	Rear Bulkhead Assembly	Galvanized; Includes item 1; All other models
4	44023301	Screw	Electric models
5	514330	Terminal Block Shield	Model LSLE5AGS303NW22
	510237	Terminal Block Shield	Electric models
6	510190P	Terminal Block Assembly	Includes 3 of item 7; Electric models
7	61199	Screw	
8	56156	Nut	
9	510100	Cylinder Roller Bracket	
10	510708P	Cylinder Roller	2 required; One per side
11	23748	Retaining Ring	
12	52549	Washer	
13	504082	Washer	
14	56461P	Shaft	
15	RB170002	Roller Kit	Includes items 10-14

Heater Duct and Element Assembly

Electric Models



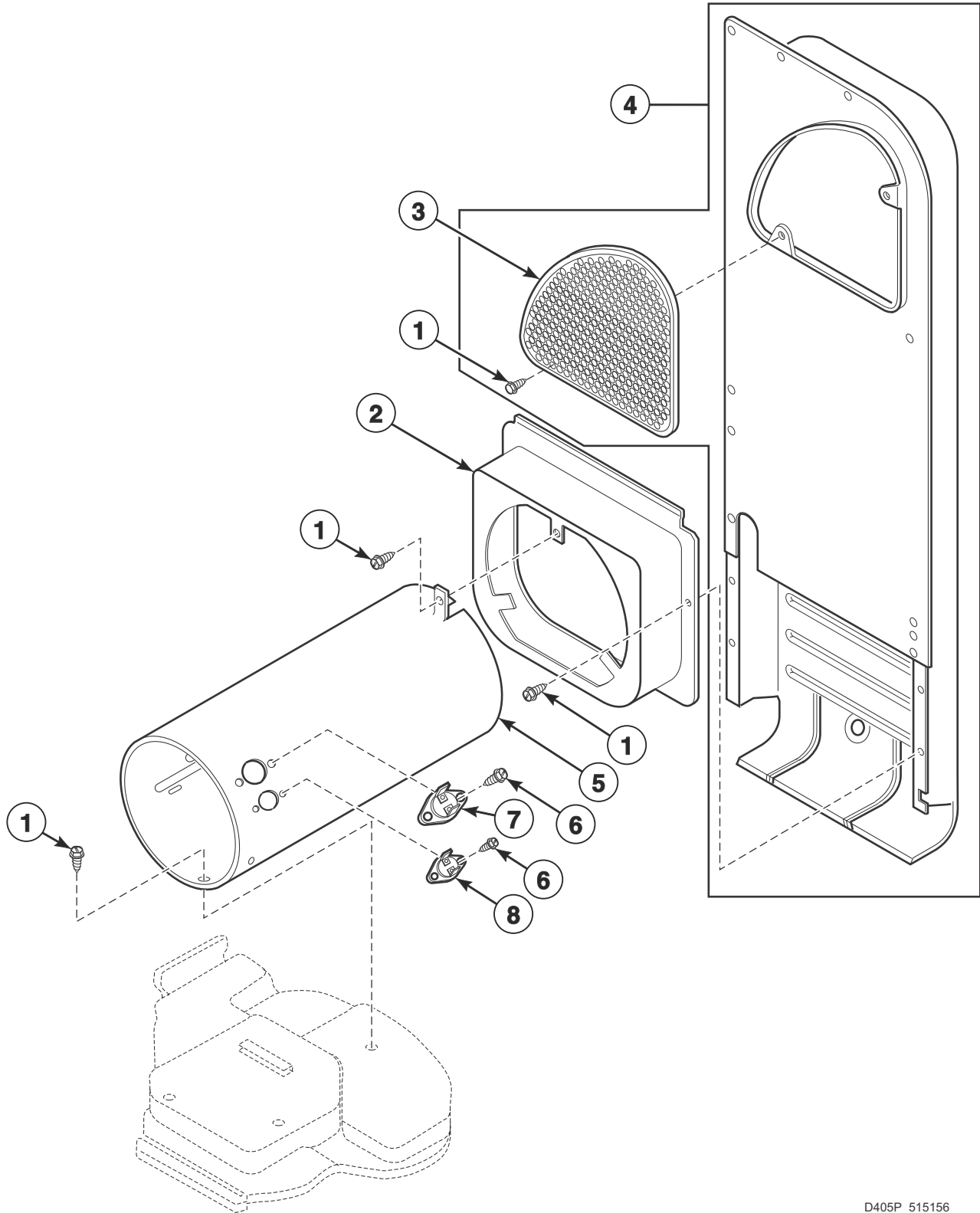
DRY1789P_515156

Heater Duct and Element Assembly

REF	PART NO.	DESCRIPTION	COMMENTS
1	503688	Screw	2 required
2	500820	Outlet Cover	
	515573	Outlet Cover	
3	510025P	Heater Duct and Screw Assembly	Includes items 1 and 2
4	510528	Wire Assembly	Orange; Thermostat jumper; Attaches to heater assembly
5	510527	Wire Assembly	Black; Fuse jumper; Attaches to heater assembly
6	511412	Thermal Fuse Assembly	
7	23222	Screw	
8	510701	Limit Thermostat	
9	510325P	Heater	4.75 kW; 208 Volt/60 Hertz; Models LDEE5BGS153TW01, LSEA5FGS153TW01, LSEA5FGS153TW04, LSEE5AGS153TW01, LSEE5AGW153TW01, LSEE5AGW283CW01, LSEE5AGW293CW01 and YSEE5AGS153TW01
	510324P	Heater Assembly	5 kW; 240 Volt/60 Hertz; Models BDEE6BGS173CW01, LDEE7RGS173CW01, UDEE5BGS173CW01, UDEE5BGS173CW08, YDEE5BGS173CW01 and YDEE7RGS173CW01
	510330P	Heater Assembly	4.25 kW; 208 Volt/60 Hertz; Models LDEE7RGS153CW01 and YDEE7RGS153CW01
	510329P	Heater Assembly	5.35 kW; 240 Volt/60 Hertz; All other models
10	61928	Heater Kit Assembly	4.75 kW; 208 Volt/60 Hertz; Includes items 4-9
	61927	Heater Kit Assembly	5 kW; 240 Volt/60 Hertz; Includes items 4-9
	965P3	Heater Kit	4.25 kW; 208 Volt/60 Hertz; Includes items 4-9
	964P3	Heater Kit	5.35 kW; 240 Volt/60 Hertz; Includes items 4-9

Heater Duct Assembly

Gas Models



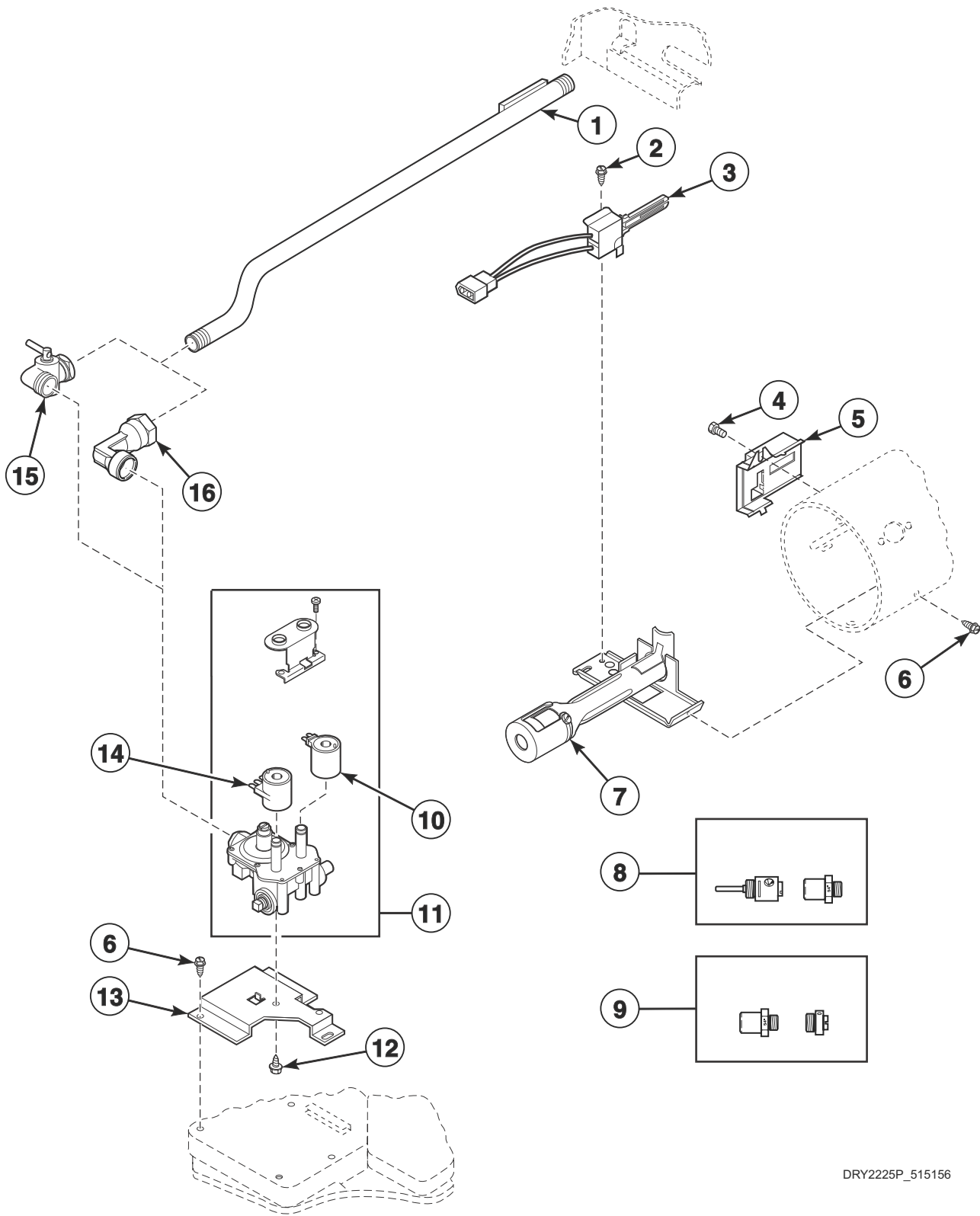
D405P_515156

Heater Duct Assembly

REF	PART NO.	DESCRIPTION	COMMENTS
1	503688	Screw	2 required
2	510101	Heat Duct Shroud	
3	500820	Outlet Cover	
	515573	Outlet Cover	
4	510025P	Heater Duct and Screw Assembly	Includes items 1 and 3
5	510132	Combustion Duct	Models LSLE5AGS303NW22, LSLE5AGW543NW23 and LSLE5AGW543ZW01
	510131	Combustion Duct	All other models
6	51782	Screw	
7	510702	Limit Thermostat	Black; Auto reset
8	510703	Thermostat	Manual reset;

Gas Valve, Igniter and Gas Conversion Kits

Gas Models

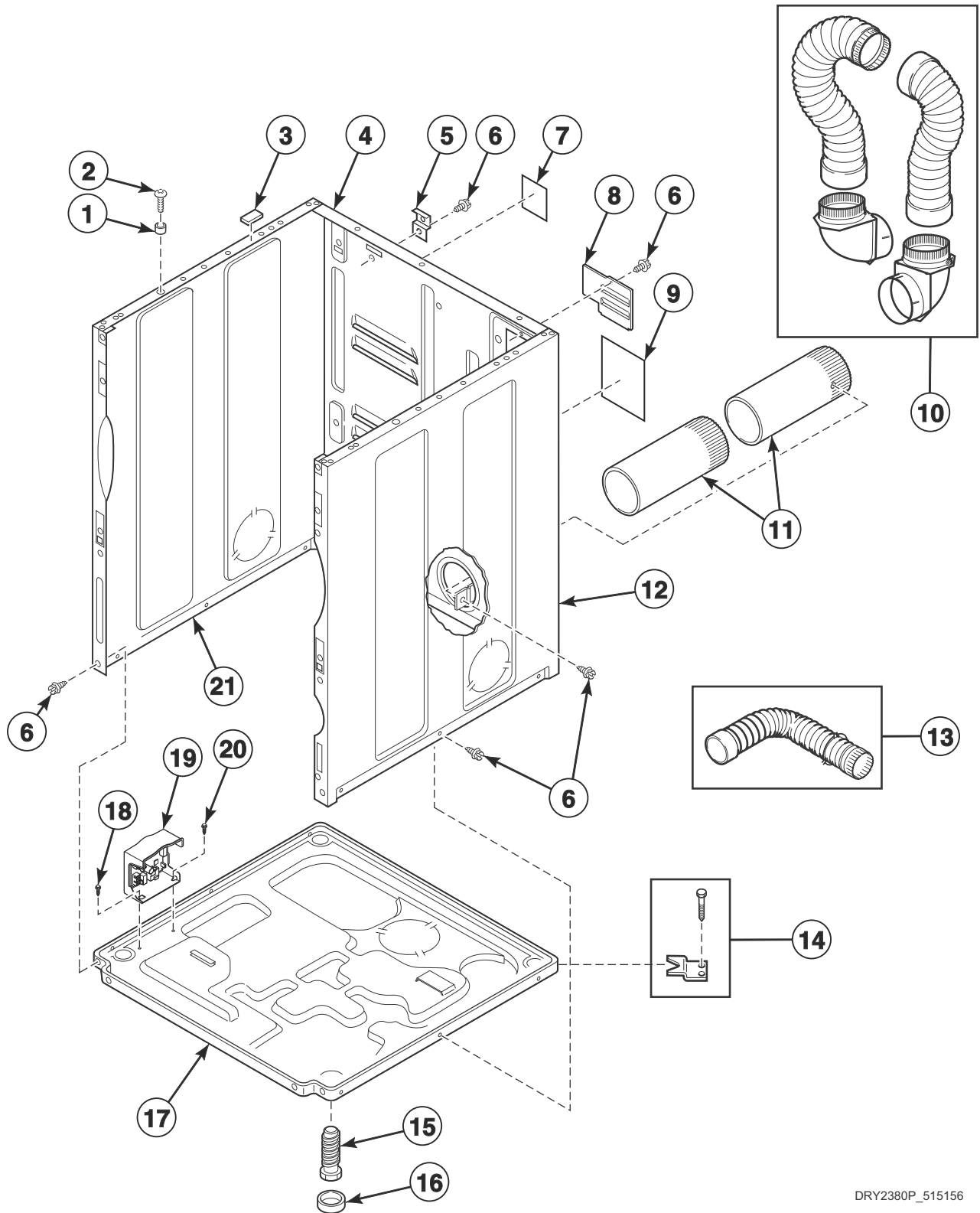


DRY2225P_515156

Gas Valve, Igniter and Gas Conversion Kits

REF	PART NO.	DESCRIPTION	COMMENTS
1	510204	Lead-In Pipe Assembly	
2	51782	Screw	
3	510184P	Igniter and Bracket Assembly	
4	23222	Screw	
5	510213	Sensor	
6	503688	Screw	
7	510149P	Burner Assembly	
8	649P3	L.P. Conversion Kit	Used to convert dryers from Natural Gas (N.G.) or Mixed Gas to Liquid Petroleum Gas (L.P.); 22,500 Btu
9	650P3	N.G. Conversion Kit	Used to convert dryers from L.P. to N.G. or Mixed Gas; 22,500 Btu
10	58804B	Secondary Coil	
11	513631	Gas Valve Assembly	Includes items 10 and 14; Models LSLE5AGS303NW22, LSLE5AGW543NW23 and LSLE5AGW543ZW01
	513630	Gas Valve Assembly	Includes items 10 and 14; Models LDLE5BGS303NW26 and LDLE7RWS303NW26
	510506P	Gas Valve Assembly	Includes items 10 and 14; All other models
12	56124	Screw	
13	510128	Gas Valve Mounting Bracket	
14	58804A	Booster and Holding Coil	
15	510205	Elbow Shut-Off Valve	Models LSLE5AGS303NW22, LSLE5AGW543NW23 and LSLE5AGW543ZW01
16	513072	Elbow	All models except LSLE5AGS303NW22, LSLE5AGW543NW23 and LSLE5AGW543ZW01

Cabinet, Exhaust Duct and Base - Single Dryers

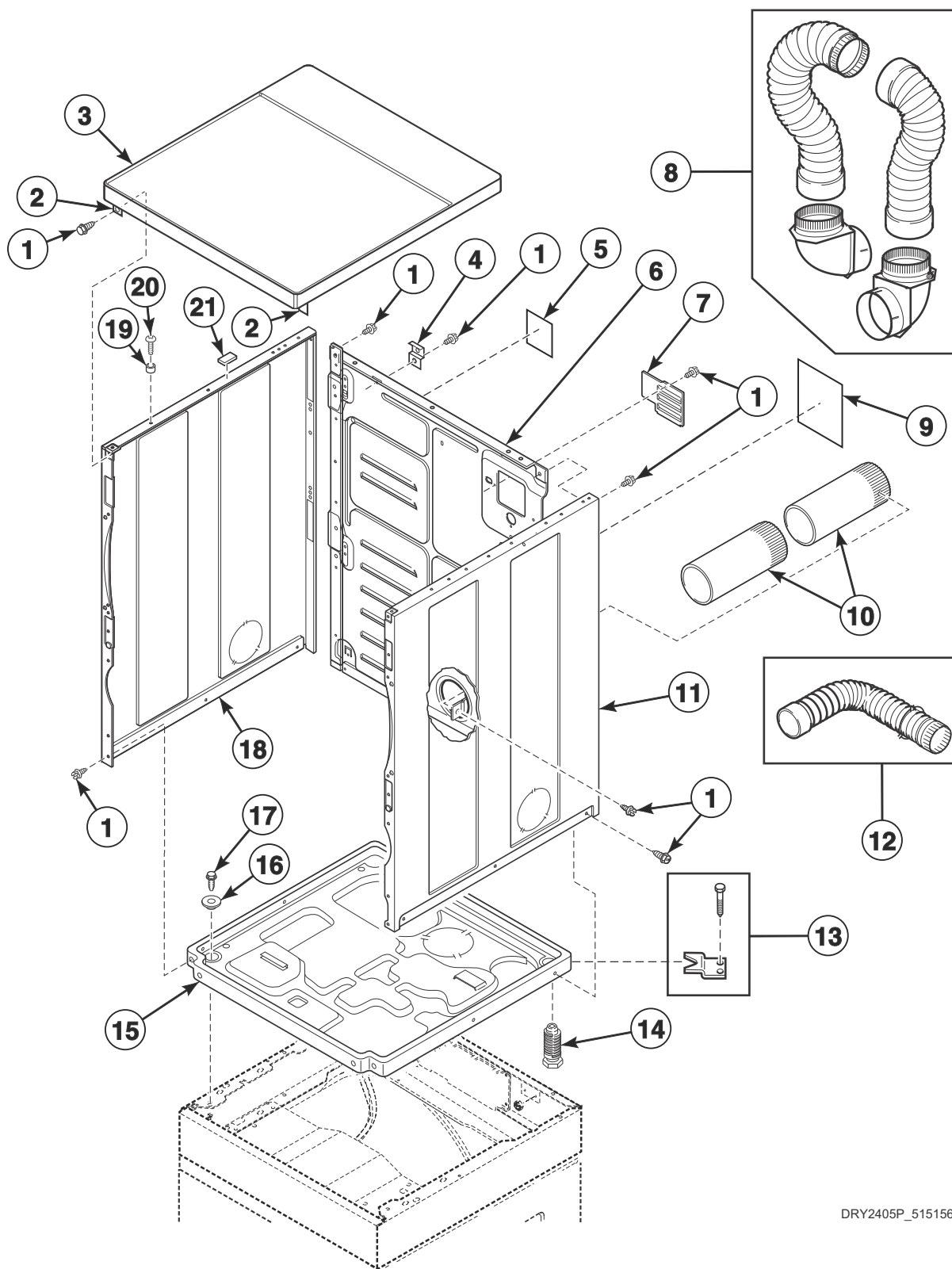


DRY2380P_515156

Cabinet, Exhaust Duct and Base - Single Dryers

REF	PART NO.	DESCRIPTION	COMMENTS
	122P4P	Porcelain Touch-Up Paint	White
	370P4P	Porcelain Touch-Up Paint	Bisque
1	56079	Panel Locator	
2	39733	Screw	
3	56128	Bumper Pad	
4	514632P	Cabinet Rear Panel	
5	510136	Top Hinge	
6	503688	Screw	
7	511004	Gas Clearance Label	Gas models
8	510903	Access Panel Plate	
9	505984	Clearance Warning Label	Models BDEE6BGS173CW01, BDGE6BGS113CW01, LDEE5BGS173CW01, LDEE7RGS153CW01, LDEE7RGS173CW01, UDEE5BGS173CW01, UDEE5BGS173CW08, YDEE5BGS173CW01, YDEE7RGS153CW01 and YDEE7RGS173CW01
	511005	Electric Clearance Label	Models BDEE6BGS173TW01, BDGE6BGS113TW01, LDEE5BGS153TW01, LDEE5BGS173TW01, LDEE7RWS173TW01, LDLE5BGS303NW26, PDEE3BGS173TG01 and PDEE4RGS173TG01
10	521P3	Flexible Venting Kit	
11	510137	Exhaust Duct	Each dryer requires 2 pieces
12	510002WP	Cabinet Side Panel	White; Right
	510002QP	Cabinet Side Panel	Bisque; Right
	510002DGP	Cabinet Side Panel	Gray; Right
13	528P3	Directional Exhaust Kit	Used to vent dryer out the sides or bottom
14	526P3	Hold Down Kit	For mobile home installations
15	510135	Leveling Leg	
16	501855	Rubber Foot	
17	514245	Dryer Base	
18	514428	Screw	
19	514565P	Control Assembly	
20	804667	Screw	
21	510001WP	Cabinet Side Panel	White; Left
	510001QP	Cabinet Side Panel	Bisque; Left
	510001DGP	Cabinet Side Panel	Gray; Left

Cabinet, Exhaust Duct and Base - Stacked Dryers (Drawing 1 of 2)

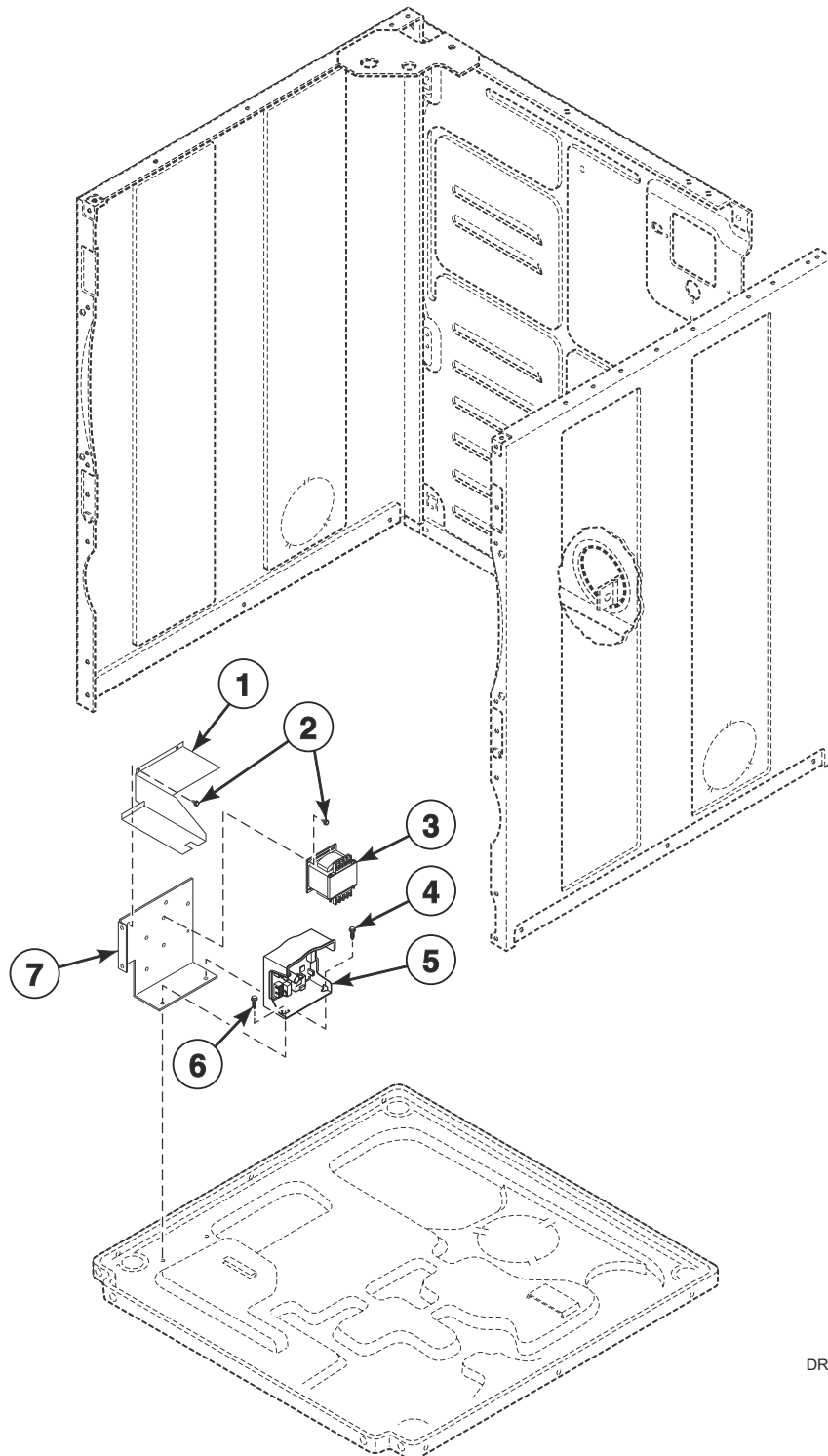


DRY2405P_515156

Cabinet, Exhaust Duct and Base - Stacked Dryers (Drawing 1 of 2)

REF	PART NO.	DESCRIPTION	COMMENTS
	122P4P	Porcelain Touch-Up Paint	White
1	503688	Screw	
2	510146	Bracket	
3	510032WP	Top Kit	White
4	510136	Top Hinge	
5	511004	Gas Clearance Label	Models LSGA5FGS113TW01, LSGE5AGS113TW01, LSGE5AGW093CW01, LSGE5AGW113TW01 and YSGE5AGS113TW01
6	514632P	Cabinet Rear Panel	
7	510903	Access Panel Plate	
8	521P3	Flexible Venting Kit	
9	511005	Electric Clearance Label	Models LSEA5FGS153TW01, LSEA5FGS153TW04, LSEA5FGS173TW01, LSEA5FGS173TW04, LSEE5AGS153TW01, LSEE5AGS173TW01, LSEE5AGW153TW01, LSEE5AGW173TW01, LSEE5AGW283CW01, LSEE5AGW293CW01, YSEE5AGS153TW01 and YSEE5AGS173TW01
	F8211201	Electrical Shock Label	Models LSLE5AGW543NW23 and LSLE5AGW543ZW01
10	510137	Exhaust Duct	Each dryer requires 2 pieces
11	510002WP	Cabinet Side Panel	White; Right
12	528P3	Directional Exhaust Kit	Used to vent dryer out the sides
13	526P3	Hold Down Kit	For mobile home installations
14	510135	Leveling Leg	
15	514245	Dryer Base	
16	26509	Washer	
17	502431	Screw	
18	510001WP	Cabinet Side Panel	White; Left
19	56079	Panel Locator	
20	39733	Screw	
21	56128	Bumper Pad	

Cabinet, Exhaust Duct and Base - Stacked Dryers (Drawing 2 of 2)



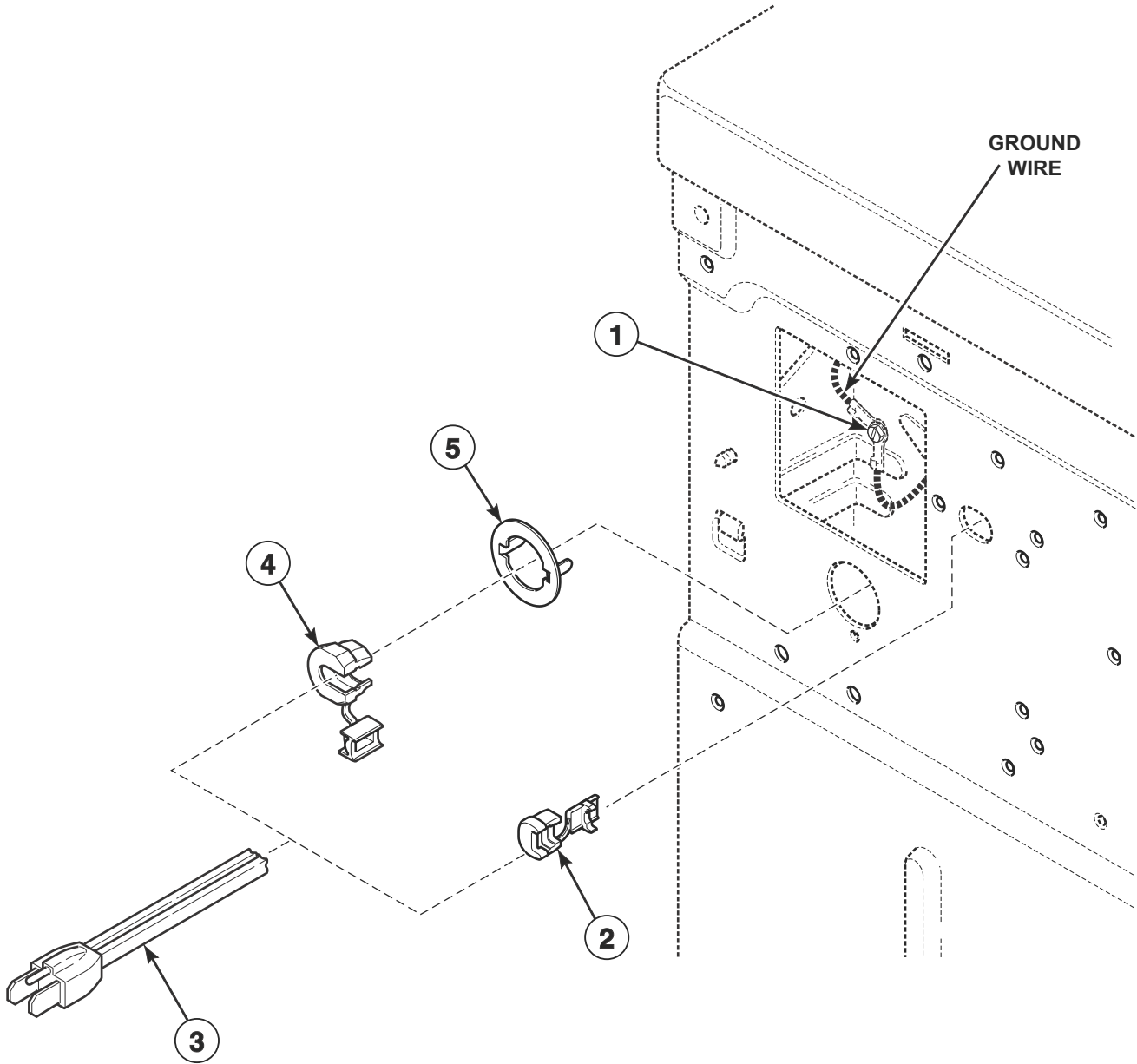
DRY2415P_515156

Cabinet, Exhaust Duct and Base - Stacked Dryers (Drawing 2 of 2)

REF	PART NO.	DESCRIPTION	COMMENTS
1	514334	Transformer Shield	Models LSLE5AGS303NW22, LSLE5AGW543NW23 and LSLE5AGW543ZW01
2	503688	Screw	
3	513763	Transformer	Models LSLE5AGS303NW22, LSLE5AGW543NW23 and LSLE5AGW543ZW01
4	804667	Screw	
5	514565P	Control Assembly	
6	514428	Screw	
7	511859	Contactoer Bracket	Models LSLE5AGS303NW22, LSLE5AGW543NW23 and LSLE5AGW543ZW01

Lead-In Cord

Models BDEE6BGS173CW01, BDGE6BGS113CW01, BDGE6BGS113TW01, LDEA5RGS173TW01, LDEA5RGS173TW04, LDEE5BGS173CW01, LDEE7RGS153CW01, LDEE7RGS173CW01, LDGA5RGS113TW01, LDGE5BGS113CW01, LDGE5BGS113TW01, LDGE7RGS113CW01, LDGE7RWS113TQ01, LDGE7RWS113TW01, LDLE7RWS303NW26, LSEE5AGW283CW01, LSEE5AGW293CW01, LSGA5FGS113TW01, LSGE5AGS113TW01, LSGE5AGW093CW01, LSGE5AGW113TW01, LSLE5AGS303NW22, LSLE5AGW543NW23, LSLE5AGW543ZW01, PDGE3BGS113TG01, PDGE4RGS113TG01, UDEE5BGS173CW01, UDEE5BGS173CW08, UDGE5BGS113TW01, YDEE5BGS173CW01, YDEE7RGS153CW01, YDEE7RGS173CW01, YDGE5BGS113CW01, YDGE7RGS113CW01 and YSGE5AGS113TW01



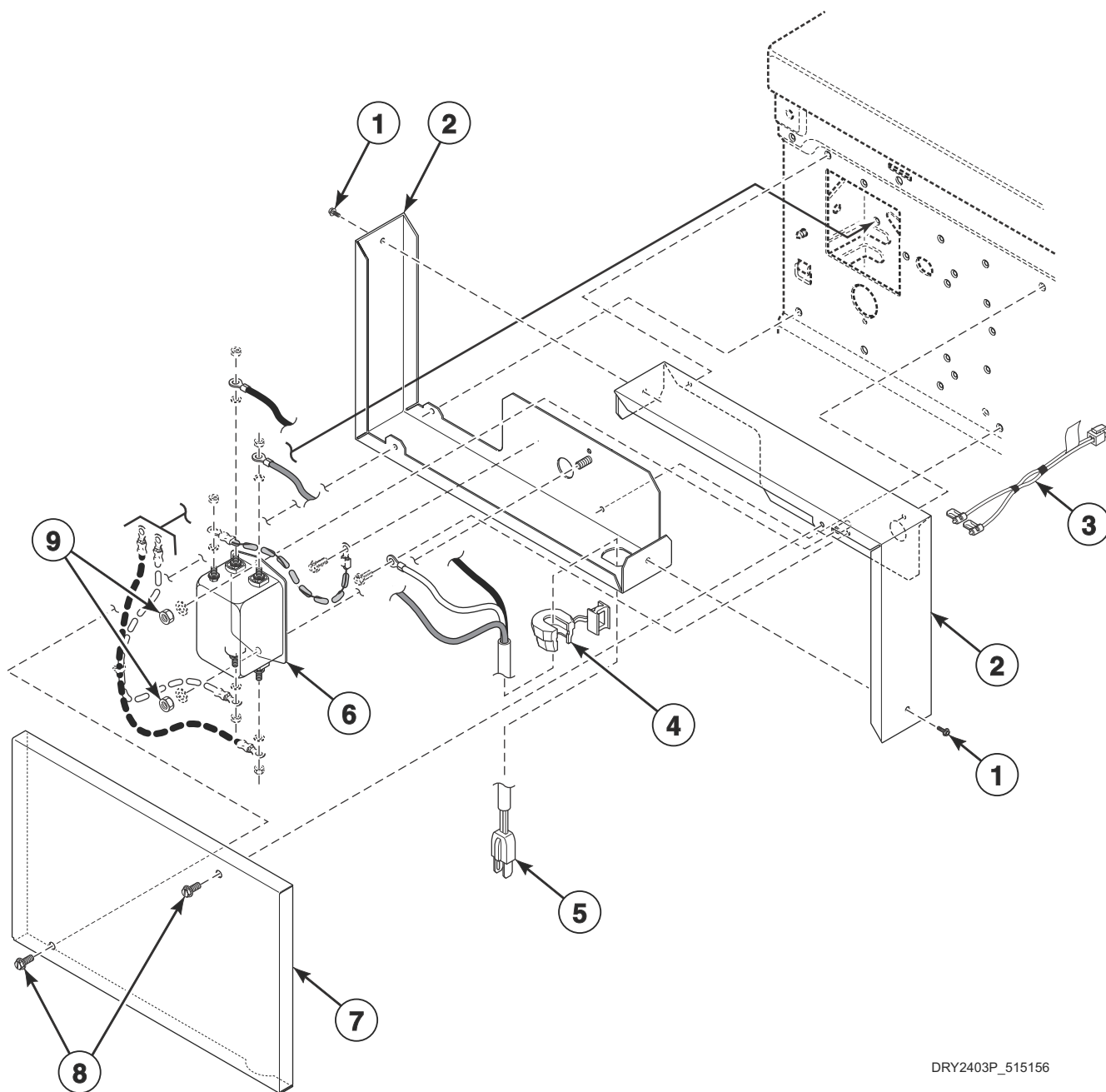
SWD1222P_515156

Lead-In Cord

REF	PART NO.	DESCRIPTION	COMMENTS
1	20530	Screw	
2	38384	Strain Relief	Models BDGE6BGS113CW01, BDGE6BGS113TW01, LDEA5RGS173TW01, LDEA5RGS173TW04, LDGA5RGS113TW01, LDGE5BGS113CW01, LDGE5BGS113TW01, LDGE7RGS113CW01, LDGE7RWS113TQ01, LDGE7RWS113TW01, LDLE7RWS303NW26, LSGA5FGS113TW01, LSGE5AGS113TW01, LSGE5AGW093CW01, LSGE5AGW113TW01, PDGE3BGS113TG01, PDGE4RGS113TG01, UDGE5BGS113TW01, YDGE5BGS113CW01, YDGE7RGS113CW01 and YSGE5AGS113TW01
3	203344	Lead-In Cord	Models LSLE5AGS303NW22 and LSLE5AGW543NW23
	510505P	Lead-In Cord Assembly	Models BDEE6BGS173CW01, LDEE5BGS173CW01, LDEE7RGS153CW01, LDEE7RGS173CW01, LSEE5AGW283CW01, LSEE5AGW293CW01, UDEE5BGS173CW01, UDEE5BGS173CW08, YDEE5BGS173CW01, YDEE7RGS153CW01 and YDEE7RGS173CW01
	202777	Lead-In Cord	All other models
4	60298	Strain Relief	Models LSLE5AGS303NW22 and LSLE5AGW543NW23
5	502496	Strain Relief Adapter	Models LSLE5AGS303NW22 and LSLE5AGW543NW23

Power Cord and Junction Box

Models LDLE5BGS303NW26, LDLE7RWS303NW26 and LSLE5AGW543ZW01

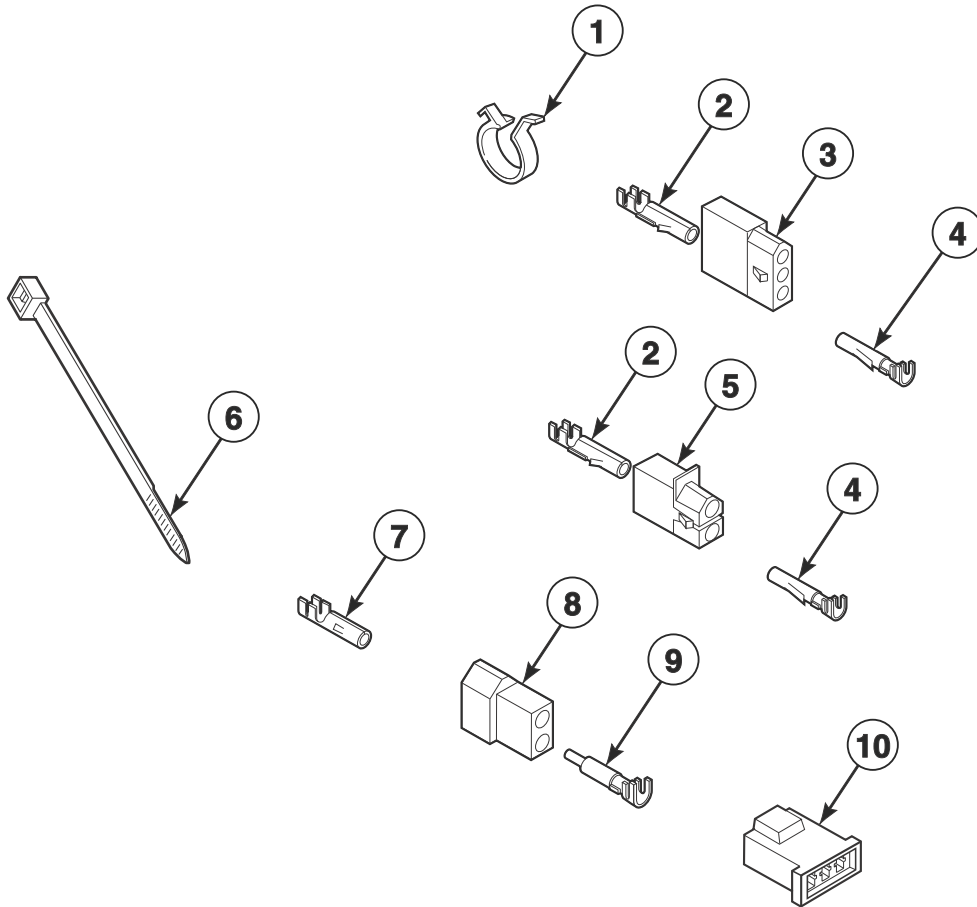


DRY2403P_515156

Power Cord and Junction Box

REF	PART NO.	DESCRIPTION	COMMENTS
	20530	Screw	
	503688	Screw	
	514379P	Junction Box Seal	2 required
	514390	Junction Box Assembly	
1	61199	Screw	
2	516152	Junction Box Assembly	
3	804396	Filter Harness	
4	60298	Strain Relief	
5	203208	Lead-In Cord	Model LSLE5AGW543ZW01
	202925	Lead-In Cord	All other models
6	804864	Line Filter	
7	514363	Junction Box Cover	
8	503661	Screw	2 required
9	29787	Nut	2 required

Terminal Block and Terminals

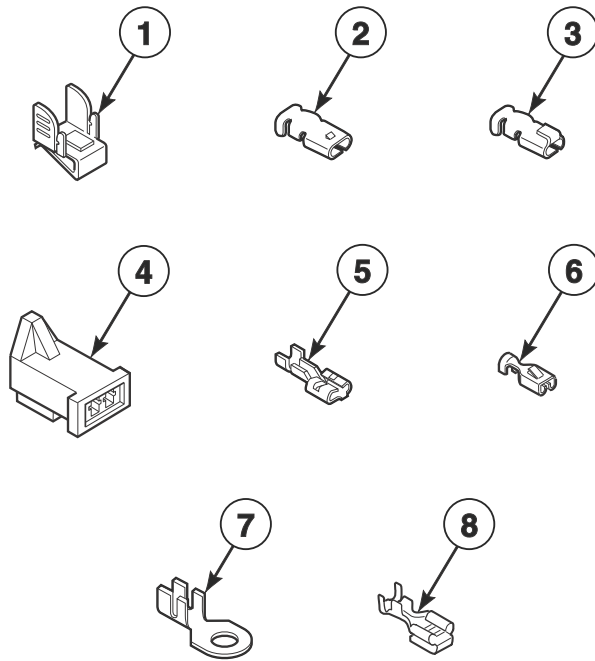


DRY1764P_515156

Terminal Block and Terminals

REF	PART NO.	DESCRIPTION	COMMENTS
1	504034	Wire Clip	11/16 inch
	687500	Wire Clip	1 inch
2	00117	Female Pin Terminal	
	00129	Male Pin Terminal	1/8 inch
3	23039	3 Circuit Receptacle	
4	00116	Male Pin Terminal	
	00128	Female Pin Terminal	1/8 inch
5	56451	2 Circuit Receptacle	
	56855	12 Circuit Receptacle	
6	55881	Harness Strap	
7	00130	Female Pin Terminal	1/8 inch
8	56266	2 Circuit Plug	
9	00127	Male Pin Terminal	1/8 inch
10	58800	3 Circuit Connector	

Terminals

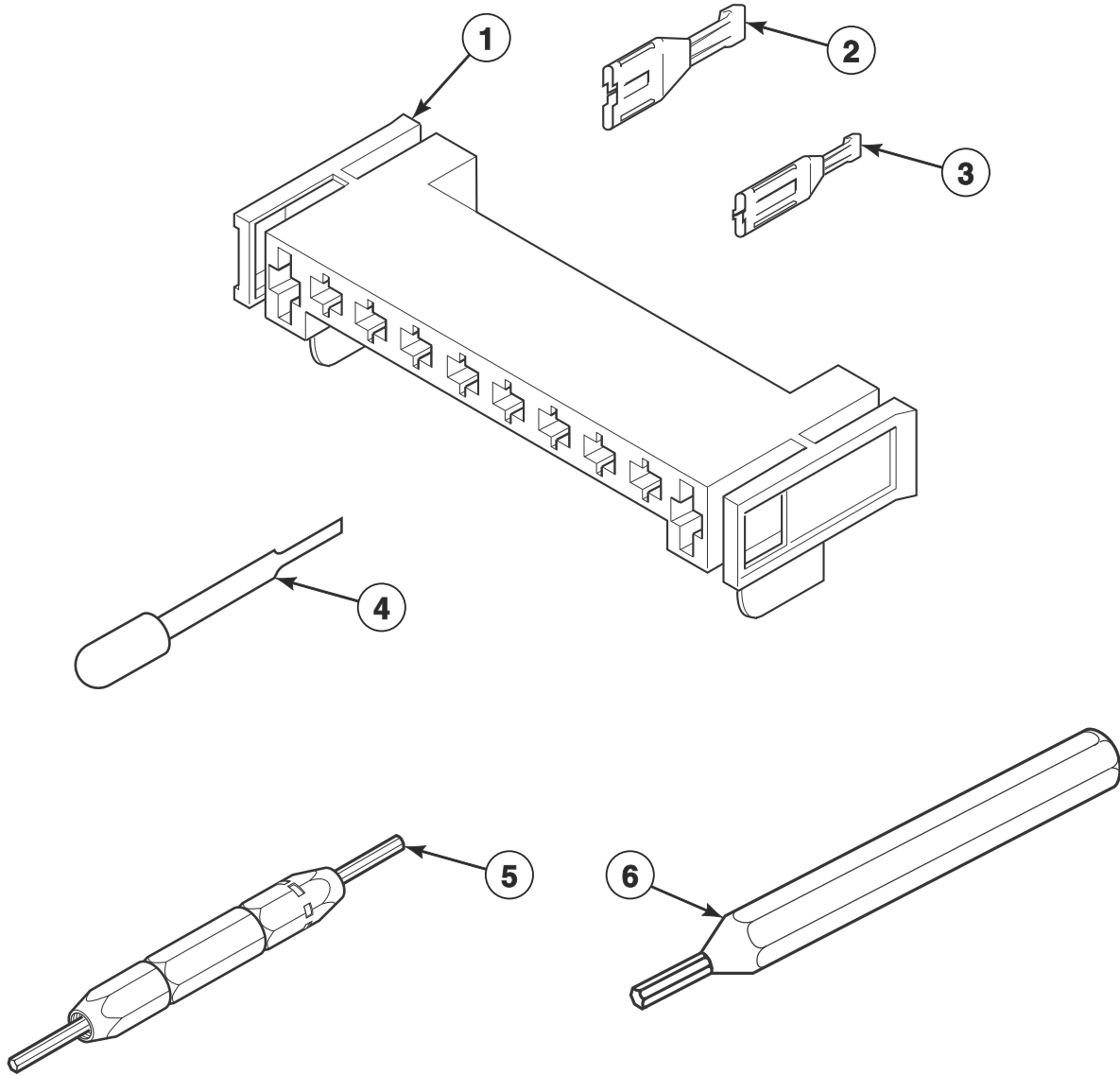


DRY2406P_515156

Terminals

REF	PART NO.	DESCRIPTION	COMMENTS
1	00161	Grounding Clip	
2	00189	Female Spade Terminal	1/8 inch
3	00361	Female Piggyback Terminal	
4	58799	2 Circuit Connector	
5	00223	Female Spade Terminal	1/4 inch; (1) 18 gauge wire
	00121	Female Spade Terminal	1/4 inch; (2) 18 gauge wires or (1) 12 gauge wire
6	00321	Female Spade Terminal	1/4 inch; (2) 18 gauge wires or (1) 12 gauge wire
7	00110	Ring Terminal	No. 10; (1) 18 gauge wire
8	00344	Female Tab Terminal	1/4 inch

Terminals and Terminal Extractor Tools

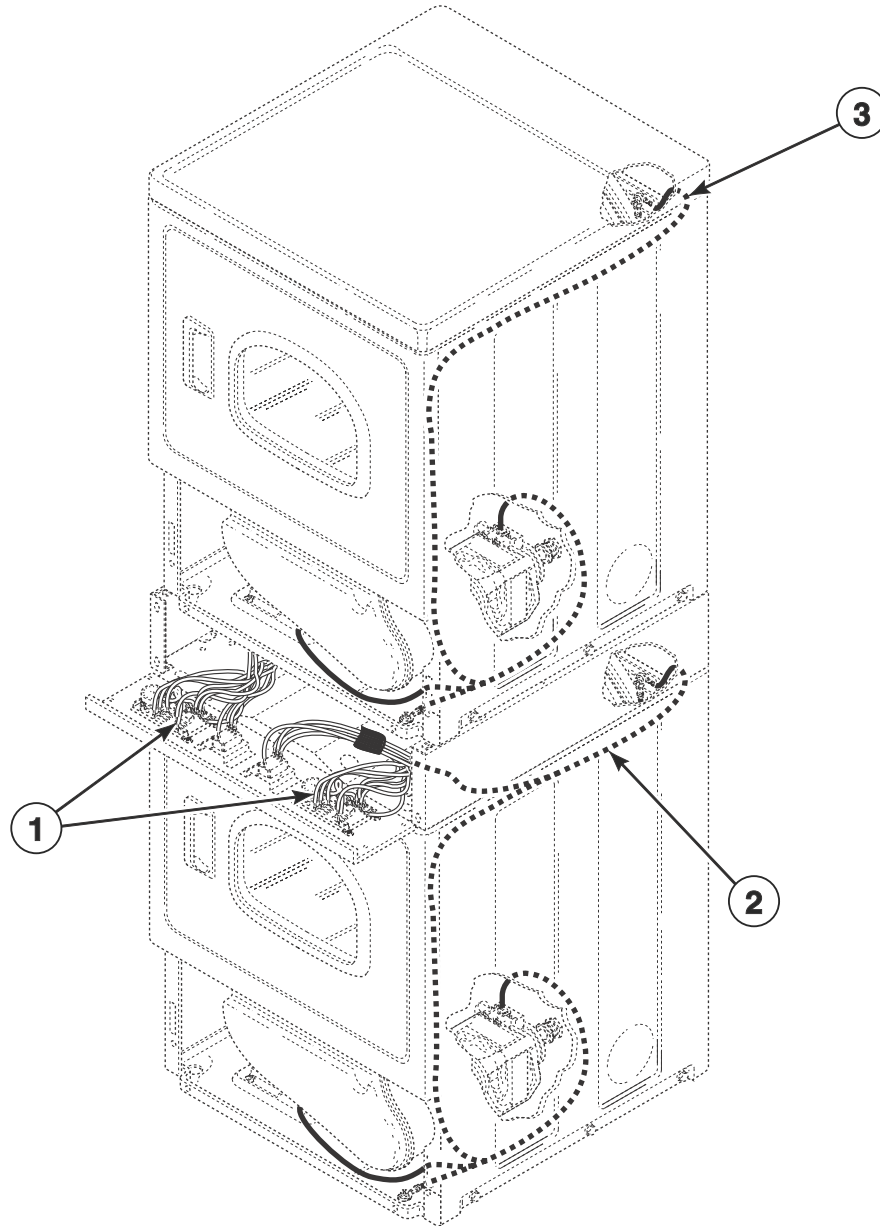


DRY1767P_515156

Terminals and Terminal Extractor Tools

REF	PART NO.	DESCRIPTION	COMMENTS
1	500338	10 Position Housing	
2	00255	Female Terminal	1/4 inch; (1) 12 gauge wire
	00256	Female Terminal	1/4 inch; (1) or (2) 18 gauge wires
3	00188	Female Terminal	For 1 or 2 wire application
4	283P4	Terminal Extractor Tool	For use on Molex connectors
5	190P4	Extractor Tool	For use on electric dryer terminals
6	128P4	Extractor Tool	For use on gas dryer terminals

Wire Harnesses and Wires - Gas Stack Models



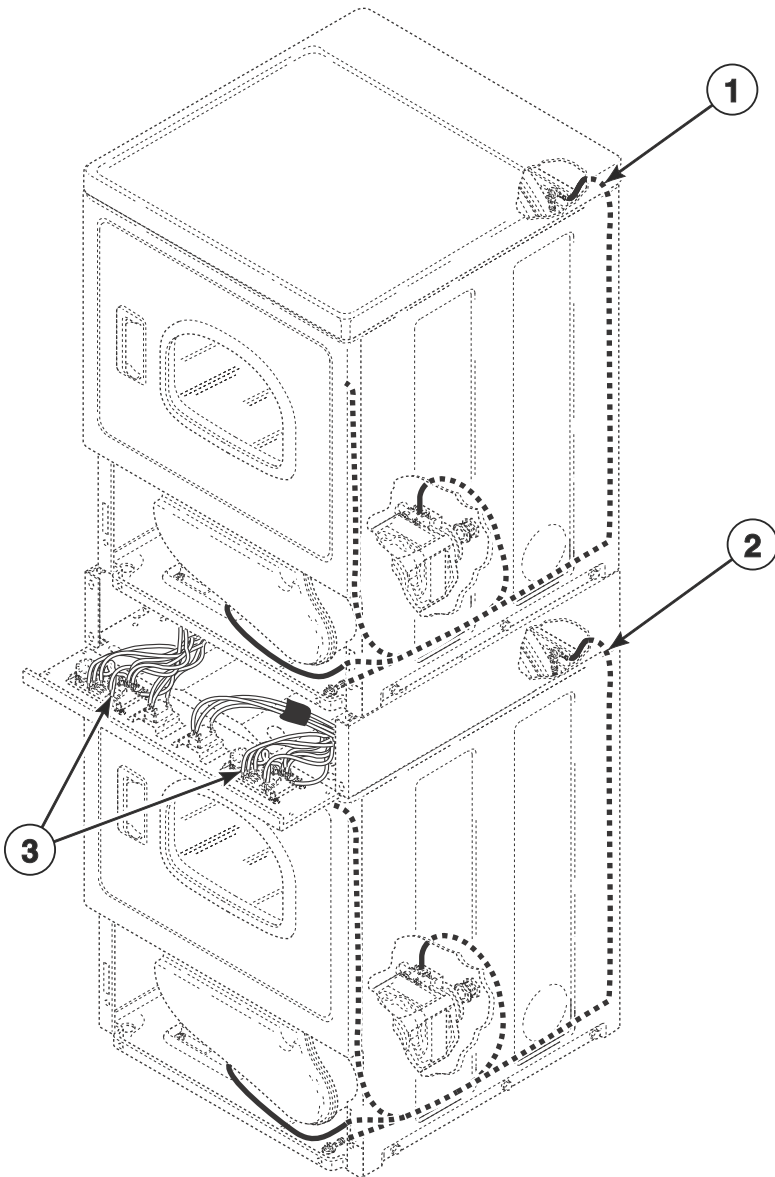
DRY2269P_515156

Wire Harnesses and Wires - Gas Stack Models

REF	PART NO.	DESCRIPTION	COMMENTS
	45380	12 Gauge Wire	Orange; Order wire by the foot; Order terminals and connectors as required
	45001	18 Gauge Wire	Black; Order wire by the foot; Order terminals and connectors as required
1	513991	Security Cabinet Harness	
2	513969	Gas Harness	Models LSGA5FGS113TW01, LSGE5AGS113TW01, LSGE5AGW093CW01, LSGE5AGW113TW01 and YSGE5AGS113TW01
	513977	Gas Harness	Models LSLE5AGS303NW22, LSLE5AGW543NW23 and LSLE5AGW543ZW01
3	513967	Upper Gas Harness	Models LSGA5FGS113TW01, LSGE5AGS113TW01, LSGE5AGW093CW01, LSGE5AGW113TW01 and YSGE5AGS113TW01
	513975	Upper Gas Harness	Models LSLE5AGS303NW22, LSLE5AGW543NW23 and LSLE5AGW543ZW01

NOTE: Individual wires are not available separately. Order complete wire harness, or order wire by the foot. When applying terminals to wires, it is recommended that the terminals be soldered to the wires.

Wire Harnesses and Wires - Electric Stack Models



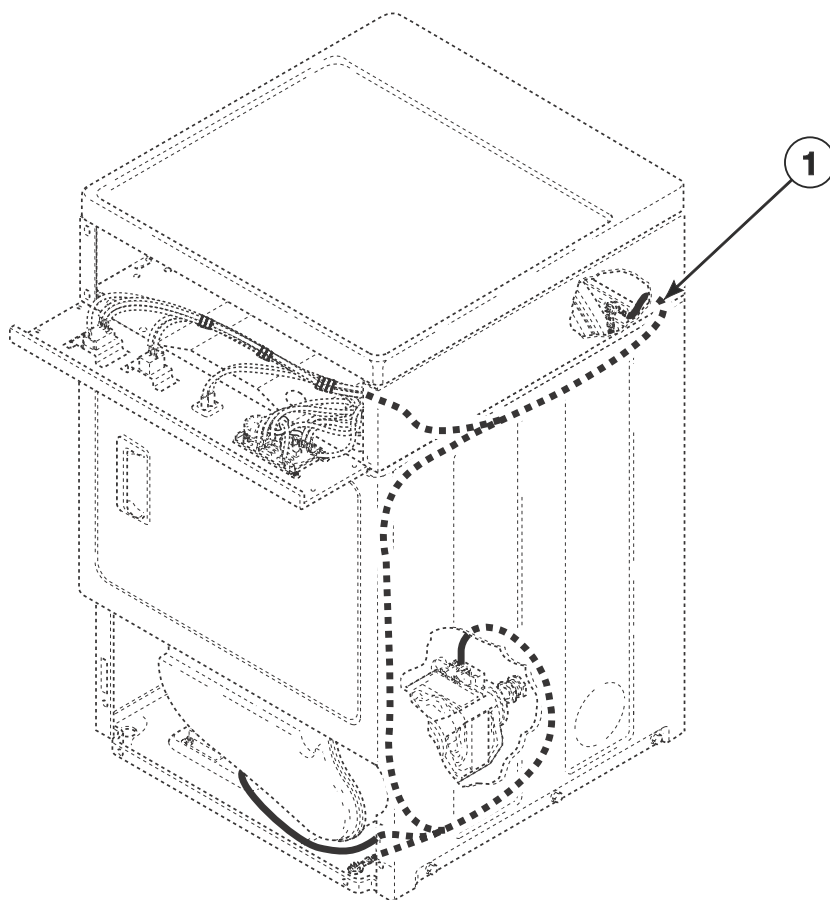
DRY2289P_515156

Wire Harnesses and Wires - Electric Stack Models

REF	PART NO.	DESCRIPTION	COMMENTS
	45380	12 Gauge Wire	Orange; Order wire by the foot; Order terminals and connectors as required
	45001	18 Gauge Wire	Black; Order wire by the foot; Order terminals and connectors as required
1	513968	Upper Electric Harness	
2	513970	Electric Harness	
3	513991	Security Cabinet Harness	

NOTE: Individual wires are not available separately. Order complete wire harness, or order wire by the foot. When applying terminals to wires, it is recommended that the terminals be soldered to the wires.

Wire Harnesses and Wires - Gas Front Control Single Models



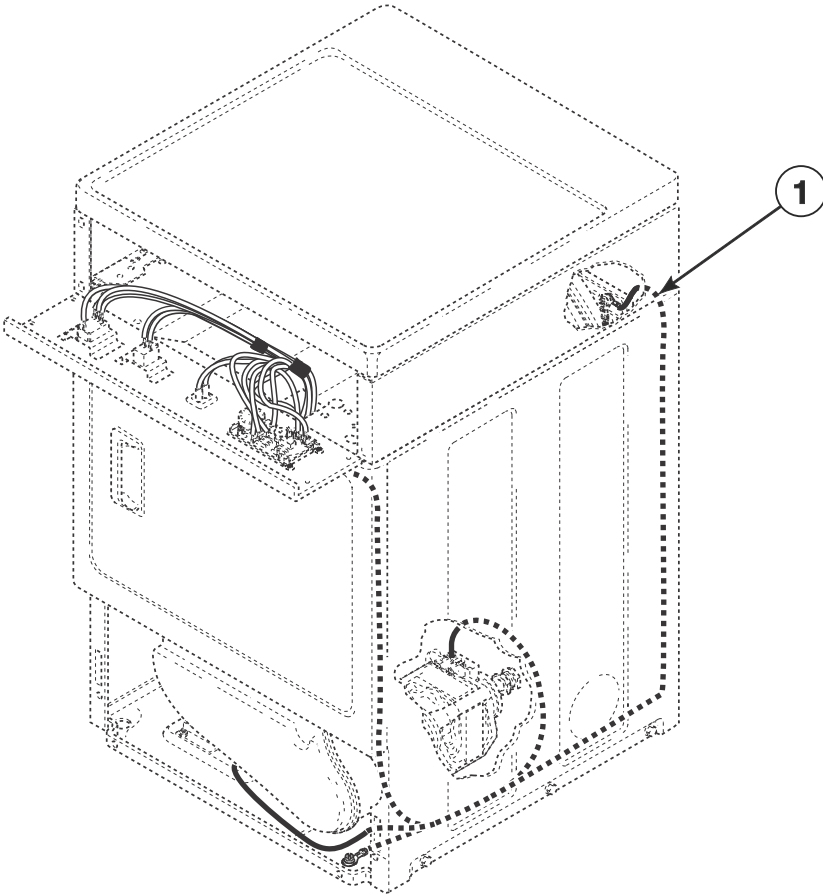
DRY2046P_515156

Wire Harnesses and Wires - Gas Front Control Single Models

REF	PART NO.	DESCRIPTION	COMMENTS
	45380	12 Gauge Wire	Orange; Order wire by the foot; Order terminals and connectors as required
	45001	18 Gauge Wire	Black; Order wire by the foot; Order terminals and connectors as required
1	513983	Gas Harness	Model YDGE7RGS113CW01
	513969	Gas Harness	Models BDGE6BGS113CW01, BDGE6BGS113TW01, LDGE5BGS113CW01, LDGE5BGS113TW01, PDGE3BGS113TG01, UDGE5BGS113TW01 and YDGE5BGS113CW01
	513977	Gas Harness	Model LDLE5BGS303NW26

NOTE: Individual wires are not available separately. Order complete wire harness, or order wire by the foot. When applying terminals to wires, it is recommended that the terminals be soldered to the wires.

Wire Harnesses and Wires - Electric Front Control Single Models



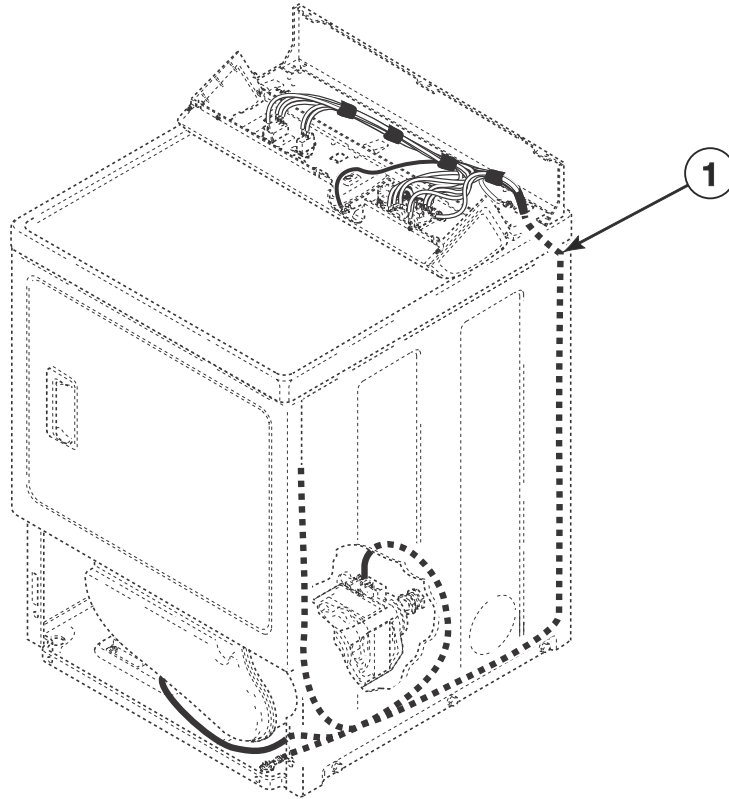
DRY2290P_515156

Wire Harnesses and Wires - Electric Front Control Single Models

REF	PART NO.	DESCRIPTION	COMMENTS
	45380	12 Gauge Wire	Orange; Order wire by the foot; Order terminals and connectors as required
	45001	18 Gauge Wire	Black; Order wire by the foot; Order terminals and connectors as required
1	513970	Electric Harness	

NOTE: Individual wires are not available separately. Order complete wire harness, or order wire by the foot. When applying terminals to wires, it is recommended that the terminals be soldered to the wires.

Wire Harnesses and Wires - Rear Control Single Models



DRY2268P_515156

Wire Harnesses and Wires - Rear Control Single Models

REF	PART NO.	DESCRIPTION	COMMENTS
	45380	12 Gauge Wire	Orange; Order wire by the foot; Order terminals and connectors as required
	45001	18 Gauge Wire	Black; Order wire by the foot; Order terminals and connectors as required
1	514024	Electric Harness	Models LDEA5RGS173TW01, LDEA5RGS173TW04, LDEE7RGS153CW01, LDEE7RGS173CW01, LDEE7RWS173TW01, PDEE4RGS173TG01, YDEE7RGS153CW01 and YDEE7RGS173CW01
	513983	Gas Harness	Models LDGA5RGS113TW01, LDGE7RGS113CW01, LDGE7RWS113TQ01, LDGE7RWS113TW01, PDGE4RGS113TG01 and YDGE7RGS113CW01
	513987	Gas Harness	Model LDLE7RWS303NW26

NOTE: Individual wires are not available separately. Order complete wire harness, or order wire by the foot. When applying terminals to wires, it is recommended that the terminals be soldered to the wires.

Parts Index

A

Access Panel and Guard Assembly 514252W	15
Access Panel Assembly 514240DG	15
514250Q	15
514250WP	15
Access Panel Plate 510903	29, 31
Adhesive 511637P	19, 21
Air Duct Assembly 510151LG	19
510151W	19
Anti-Seize Compound 27604P	17

B

Bar Sensor 513737	19
Blower and Fan Kit 510717P	17
Blower Fan Assembly 510139P	17
Blower Housing 511969WP	17
Blower Housing Seal 510238P	17
Booster and Holding Coil 58804A	27
Bracket 510146	31
Bumper Pad 56128	29, 31
Burner Assembly 510149P	27

C

Cabinet Rear Panel 514632P	29, 31
Cabinet Side Panel 510001DGP	29
510001QP	29
510001WP	29, 31
510002DGP	29
510002QP	29
510002WP	29, 31
Clearance Warning Label 505984	29
Combustion Duct 510131	25
510132	25
Connector, 2 Circuit 58799	41

Connector, 3 Circuit 58800	39
Contacto Bracket 511859	33
Control 514566P	7
Control Access Panel 804741	7
804793	7
Control Assembly 514121P	5, 7
514565P	29, 33
515430P	5
515505P	5
515506P	5
Control Bracket 804611	7
Control Cabinet 804639W	9
804640W	9
Control Overlay 514189	5
514191	5
514482	7
514889	9
514925	7
515572	9
515678	5
515682	7
Control Panel 803960WP	9
806120W	9
Control Panel Assembly 804659W	7
804960	7
804992	7
Control Support Panel 804836	5
Control Wrapper 804627DG	7
804627W	7
804630DG	7
804630W	7
Cylinder Assembly 510159WP	19
510265LGP	19
510265WP	19
Cylinder Baffle 510102LG	19
510102W	19
Cylinder Belt 511255P	17
Cylinder Glide 513710	19
Cylinder Glide Bracket 510145	19
Cylinder Roller 510708P	21
Cylinder Roller Bracket 510100	21
Cylinder Seal Assembly 510207P	19, 21

N/A items do not appear in index.

D

Directional Exhaust Kit 528P3.....	29, 31
Door and Liner Assembly 511636WP.....	11
Door Catch Assembly 510177.....	15
Door Handle Wedge 510129.....	11
510129LG.....	13
510129W.....	13
Door Liner Grill 503870LG.....	11
503870W.....	11
Door Pull 512947.....	13
Door Pull and Wedge Kit 510103QP.....	13
510103WP.....	11, 13
Door Strike 510181.....	11, 13
Door Strike Mount 510127.....	11, 13
Drip Shield 514327.....	15
Dryer Base 514245.....	29, 31
Dryer Door 510013DG.....	13
510013QP.....	13
510013WP.....	13
510082WP.....	11
Dryer Door Assembly 514114W.....	11
Dryer Door Window 503982P.....	11
Drying Rack 512082P.....	19

E

Elbow 513072.....	27
Elbow Shut-Off Valve 510205.....	27
Electric Clearance Label 511005.....	29, 31
Electric Harness 513970.....	47, 51
514024.....	53
Electrical Shock Label F8211201.....	19, 31
End Panel 504006P.....	5
504007P.....	5
504008W.....	5
504009WP.....	5
Exhaust Duct 510137.....	29, 31
Expansion Clip 70030501.....	7, 9

N/A items do not appear in index.

Extractor Tool 128P4.....	43
190P4.....	43

F

Felt Pad 510189.....	19
Female Piggyback Terminal 00361.....	41
Female Pin Terminal 00117.....	39
00128.....	39
00130.....	39
Female Spade Terminal 00121.....	41
00189.....	41
00223.....	41
00321.....	41
Female Tab Terminal 00344.....	41
Female Terminal 00188.....	43
00255.....	43
00256.....	43
Filter Harness 804396.....	37
Flexible Venting Kit 521P3.....	29, 31
Front Bulkhead 513638.....	19
513639W.....	19
Front Panel 510066DG.....	15
510066QP.....	15
510066WP.....	15
Front Panel Assembly 513781WP.....	15
Front Panel Seal 511056.....	15

G

Gas Clearance Label 511004.....	29, 31
Gas Harness 513969.....	45, 49
513977.....	45, 49
513983.....	49, 53
513987.....	53
Gas Valve Assembly 510506P.....	27
513630.....	27
513631.....	27
Gas Valve Mounting Bracket 510128.....	27
Glass Door Window 513910.....	11
Glide Kit RB170003.....	19
Graphic Panel 805406.....	5
805448.....	5

805608	5
Grounding Clip	
00161	41

H

Harness Strap	
55881	39
Heat Duct Shroud	
510101	25
Heater	
510325P	23
Heater Assembly	
510324P	23
510329P	23
510330P	23
Heater Duct and Screw Assembly	
510025P	23, 25
Heater Kit	
964P3	23
965P3	23
Heater Kit Assembly	
61927	23
61928	23
Hinge	
511036	11, 13
Hinge Hole Plug	
510186	15
Hold Down Kit	
526P3	29, 31
Hood Back Panel	
804169	5
Housing, 10 Position	
500338	43

I

Idler Lever	
510133	17
Idler Lever and Wheel Assembly	
510158	17
Idler Spring	
510185	17
Idler Wheel and Bearing Assembly	
510142P	17
Igniter and Bracket Assembly	
510184P	27

J

Junction Box Assembly	
514390	37
516152	37
Junction Box Cover	
514363	37
Junction Box Seal	
514379P	37

L

Lead-In Cord	
202777	35
202925	37
203208	37
203344	35
Lead-In Cord Assembly	
510505P	35
Lead-In Pipe Assembly	
510204	27
Leveling Leg	
510135	29, 31
Limit Thermostat	
510701	23
510702	25
Line Filter	
804864	37
Liner and Seal Assembly	
510098LG	11
510098W	11
Liner Door Seal	
510147P	11, 13
Liner, Seal and Grill Assembly	
510163WP	13
513109P	13
Lint Filter	
503980LG	19
503980W	19
Lint Filter Cover	
510502LG	19
510502W	19
L.P. Conversion Kit	
649P3	27

M

Male Pin Terminal	
00116	39
00127	39
00129	39
Moisture Sensor Base	
513738	19
Motor and Pulley Assembly	
505843P	17
505869P	17
511629P	17
Motor Hub Ring Kit	
590P3	17
Motor Mount	
510060	17
Motor Mount Clamp	
510180	17
Motor Pulley	
500011	17
Motor Shield	
514602	17

N/A items do not appear in index.

N

Nut	
29787	37
44071201	11
52566	17
56156	17, 21
N.G. Conversion Kit	
650P3	27

O

Outlet Cover	
500820	23, 25
515573	23, 25
Output Control Assembly	
513797P	7, 9
Overlay	
515082	5

P

Panel Locator	
56079	15, 29, 31
Pinched Fingers Label	
F8211301	19
Plug, 2 Circuit	
56266	39
Pop Rivet	
685847	7
Porcelain Touch-Up Paint	
122P4P	29, 31
370P4P	29

R

Rear Access Panel	
803998	9
804614	7
Rear Bulkhead	
510042W	21
Rear Bulkhead Assembly	
510041	21
Rear Control Cabinet	
804859	9
Rear Wrapper Brace	
805345	7
Receptacle, 12 Circuit	
56855	39
Receptacle, 2 Circuit	
56451	39
Receptacle, 3 Circuit	
23039	39
Retaining Ring	
23748	17, 21
Ring Terminal	
00110	41
Roller Kit	
RB170002	21

Rubber Foot	
501855	29

S

Screw	
20530	35, 37
23222	23, 27
31260	17
33562	15
39733	15, 29, 31
44023301	21
500226	11
500824	17
501086	5
501285	19
502431	31
502535	17
503661	7, 37
503688	7, 9, 15, 17, 19, 21, 23, 25, 27, 29, 31, 33, 37
505870	11
514428	29, 33
514461	11, 13, 19
51782	25, 27
52864	19
56124	27
61199	21, 37
62588	19
70240301	7, 9
804608	7
804667	29, 33

Seal Kit	
RB170001	19, 21
Secondary Coil	
58804B	27
Security Cabinet Harness	
513991	45, 47
Sensor	
510213	27
Shaft	
56461P	17, 21
Shield Bracket	
804018	9
Speed Clip	
28835	15
Strain Relief	
38384	35
60298	35, 37
Strain Relief Adapter	
502496	35
Switch	
512973	15

T

Terminal Block Assembly	
510190P	21
Terminal Block Shield	
510237	21
514330	21
Terminal Extractor Tool	
283P4	43

N/A items do not appear in index.

Thermal Fuse Assembly	
511412	23
Thermistor Assembly	
502366	17
510523	17
Thermostat	
510703	25
Thermostat Shield	
514325	17
Top Cover	
505808DG	5
505808W	5
Top Hinge	
510136	29, 31
Top Kit	
510032WP	31
Top Panel	
510029DG	5
804685DG	7
804685WP	7
Top Panel Brace Assembly	
804613	7
Top Panel Guide	
803761	7
Top Panel Kit	
510029WP	5
Transformer	
513763	33
Transformer Shield	
514334	33

Wire, 18 Gauge	
45001	45, 47, 49, 51, 53
Wrapper Assembly	
804112W	9

U

Upper Electric Harness	
513968	47
Upper Gas Harness	
513967	45
513975	45

W

Warning Label	
44127701	19
Warning/Caution Label	
500281	15
Washer	
26509	31
504082	21
52549	17, 21
Window Clip	
513958	11
Window Trim	
503981W	11
513960W	11
Wire Assembly	
510527	23
510528	23
Wire Clip	
504034	39
687500	39
Wire, 12 Gauge	
45380	45, 47, 49, 51, 53

N/A items do not appear in index.

