

# ON-PREMISES SINGLE TUMBLE DRYER

NT25

25lb



## FEATURES

- Easy-to-use digital control
- Electric, gas and steam heating
- Large door opening for easy loading and unloading
- Galvanized cylinder
- Axial airflow
- Large self-cleaning lint screen
- Fits through 36" door opening

## OPTIONS

- Reversing cylinder to avoid tangling of large items
- Stainless steel cylinder
- Stainless steel front panel
- Sensodry+™ over-dry prevention technology lowers energy, utility and linen replacement costs
- SafeTech™ Fire Suppression System, a multi-port water manifold system, will saturate linens in an unlikely event of fire within the cylinder



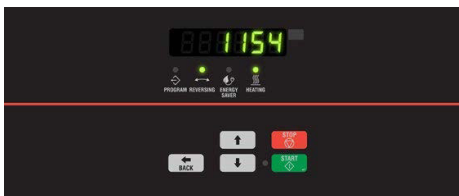
FAST DRYING



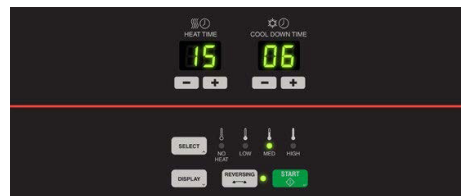
EASY OPERATION



SERVICE FRIENDLY



XQ Control



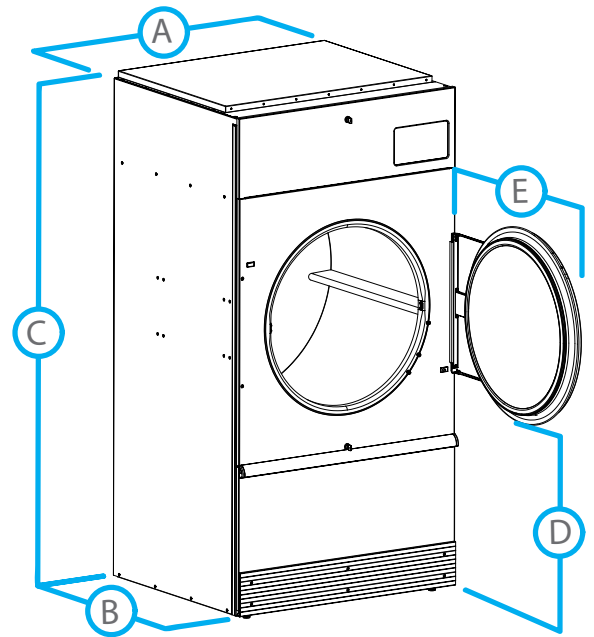
Dual Digital Control

# LAVXEL

*You have plans. We have solutions.*

1.844.275.2828 | [www.lavxel.com](http://www.lavxel.com)

MODEL		NT 25
CONTROL OPTION		XQ, DDC
CAPACITY - lb (kg)		25 (11)
OVERALL WIDTH - in (mm)		28 (711)
OVERALL DEPTH - in (mm)		40.87 (1038)
OVERALL HEIGHT - in (mm)		63.87 (1622)
CYLINDER DIAMETER - in (mm)		26.5 (673)
CYLINDER VOLUME - cu. ft (liters)		7.7 (218)
DOOR OPENING SIZE - in (mm)		22.69 (576)
ENERGY DATA		
Steam Models - 100 psi		134,700 Btu/hr
Electric Models		12 kW
EXHAUST - in (mm)		6 (152)
GAS CONNECTIONS - in (npt)		0.5
STEAM CONNECTIONS - in (npt)		0.75
MOTOR - hp		
Fan		0.25
Drive		0.25
DRYING AVERAGE - lbs/min		
Gas Heating		0.49
Electric Heating		0.38
AIRFLOW - cfm		500
ELECTRIC SPECS - amps		Non Rev (Rev)
GAS & STEAM		
100/200-220/60/1 2W+G		11.0/5.8
120/208-240/60/1 2W/3W+G		12.0/6.7
200-208/240/60/3 3W+G		3.2/3.2 (4.0/4.0)
380/60/3 3W+G		1.5 (2.0)
440/60/3 3W+G		1.6 (2.0)
460-480/60/3 3W+G		1.6 (2.0)
ELECTRIC		
208/60/1 3W+G		64
240/60/1 3W+G		57
200/60/1 2W+G		64
200-208/60/3 3W+G		37 (37)
240/60/3 3W+G		33 (33)
380/60/3 3W+G		20 (20)
440/60/3 3W+G		17 (17)
460-480/60/3 3W+G		16 (16)
SHIPPING DIMENSIONS APPROX. - in (mm)		
Width		30 (762)
Depth		43 (1092)
Height		69 (1753)
NET WEIGHT - lb (kg)		300 (136)
SHIPPING WEIGHT - lb (kg)		332 (151)
AGENCY APPROVALS		cCSAus



DIMENSIONS		NT 25
A.	OVERALL WIDTH - in (mm)	28 (711)
B.	OVERALL DEPTH - in (mm)	40.87 (1038)
C.	OVERALL HEIGHT - in (mm)	63.87 (1622)
D.	DOOR BOTTOM TO FLOOR - in (mm)	27.5 (669)
E.	DOOR SWING - in (mm)	26.25 (667)