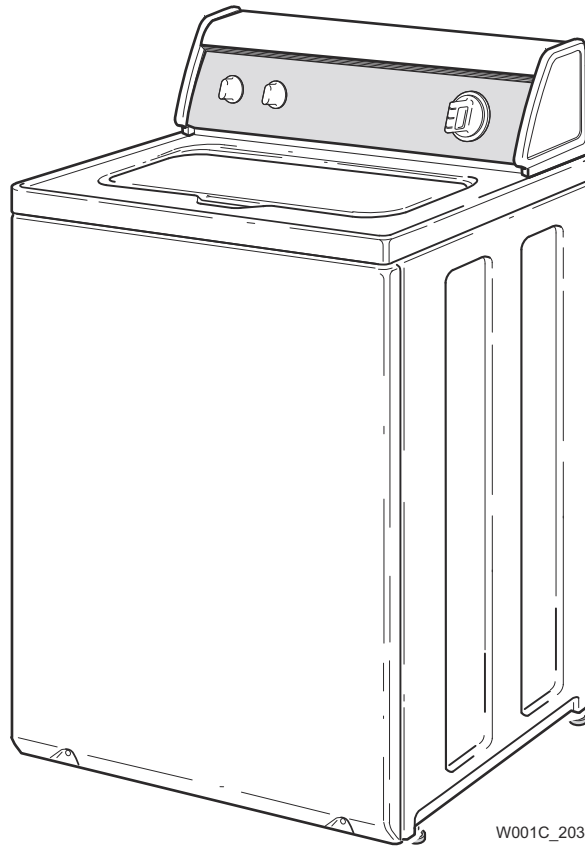


# Home Automatic Washers

Refer to Page 3 for Model Numbers



W001C\_203418



# Table of Contents

Title	Page
Parts Ordering Information.....	2
Serial Plate Location .....	2
Model Identification .....	3
Graphic Panel, Control Support Panel and Controls .....	4
Graphic Panel and Control Support Panel.....	6
Controls and Overlay .....	8
Lid Switch Assembly .....	10
Top, Lid and Lid Lock.....	12
Lid and Hood Back Panel .....	14
Top.....	16
Junction Box .....	18
Mixing Valve-to-Tub Cover Hose and Mixing Valve Bracket.....	20
Mixing Valve.....	22
Fill Hose .....	24
Belt, Pump and Idler Assembly (Drawing 1 of 2) .....	26
Belt, Pump and Idler Assembly (Drawing 2 of 2) .....	28
Motor and Mounting Bracket (Drawing 1 of 2) .....	30
Motor and Mounting Bracket (Drawing 2 of 2) .....	32
Agitator, Fabric Softener Dispenser, Drive Bell, Hub and Lip Seal Kit and Washtub.....	34
Outer Tub, Cover, Bearing and Seal Housing, Pressure Hose and Counterweight.....	36
Drain Hose and Siphon Break Kit .....	38
Weldment and Bearing Assembly, Brake and Pulley.....	40
Transmission Assembly (Drawing 1 of 2).....	42
Transmission Assembly (Drawing 2 of 2).....	44
Front Panel, Base Assembly and Cabinet Kit.....	46
Mixing Valve and Motor Connection Blocks, Terminals and Extractor Tool.....	48
Power Cord .....	50
Terminals and Clips .....	52
Terminals .....	54
Shipping Materials and Special Tools.....	56
Special Tools .....	58
Output Board, Wire Harnesses and Wires .....	60
Wire Harnesses and Wires .....	62
Parts Index.....	65

© Copyright 2019, Alliance Laundry Systems LLC

All rights reserved. No part of the contents of this book may be reproduced or transmitted in any form or by any means without the expressed written consent of the publisher.

## Parts Ordering Information

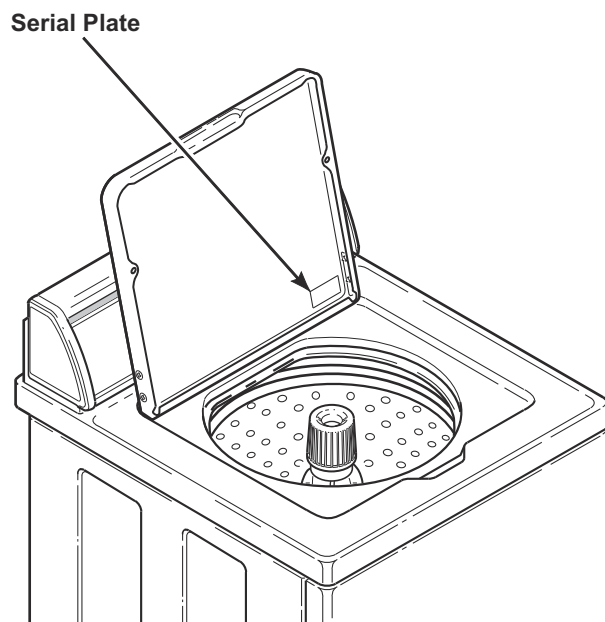
If literature or replacement parts are required, contact the source from whom the machine was purchased or contact Alliance Laundry Systems at (920) 748-3950 for the name and address of the nearest authorized parts distributor.

For technical assistance, call the number listed below:

(920) 748-3121 Ripon, Wisconsin

## Serial Plate Location

When calling or writing about your product, be sure to mention model and serial numbers. Model and serial numbers are located on serial plate(s) as shown.



W429S\_203418

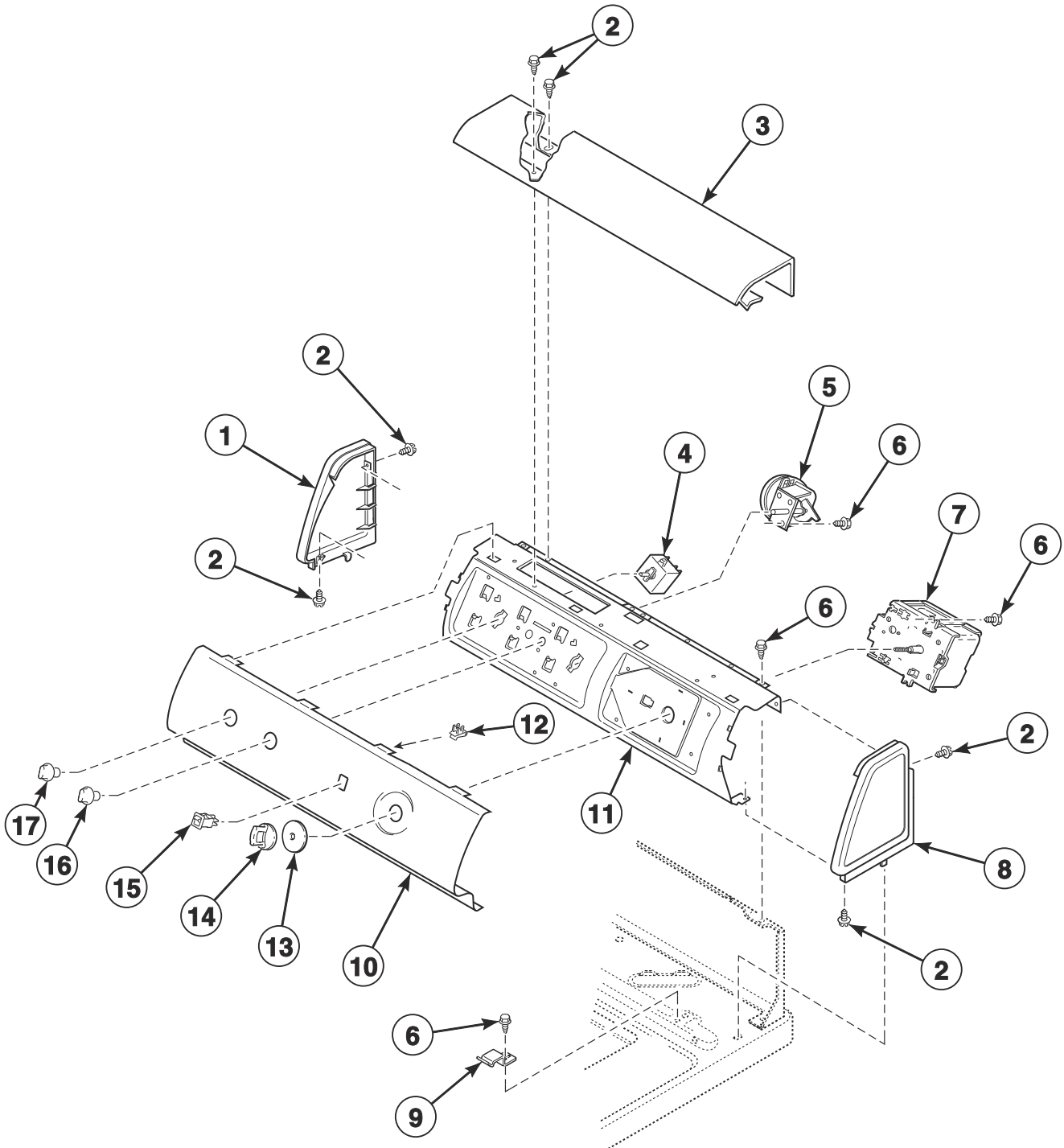
## Model Identification

Information in this manual is applicable to these washer models:

AWN312SP303LW22	LWN432PP113FW28	MWNE52SP303WW37
AWN432SP113CW04	LWN432SP113CW04	MWNE52SP543RW01
AWN432SP113FW28	LWN432SP113FW28	PWNE12PP115CG01
AWNE82SP113CW01	LWN432SP115CW01	PWNE12PP115CW01
AWNE82SP113FW01	LWNE22SP115CW01	PWNE32PP113CG01
AWNE92SP113FW01	LWNE52PP113ZW01	PWNE32PP303AG01
AWNE92SP123DW01	LWNE52PP303SW01	PWNE32SP303AG01
AWNE92SP543DW01	LWNE52SP103ZW01	YWN432SP113CW04
AWNE92SP303NW29	LWNE52SP113CW01	YWNE22PP115CW01
AWNE92SP303NW36	LWNE52SP113FQ01	YWNE22SP115CW01
AWNE92SP303XW01	LWNE52SP113FW01	YWNE52PP113CW01
AWNE92SP303XW26	LWNE52SP113ZW01	YWNE52SP303EW01
AWNE92SP303XW34	LWNE52SP303AW01	YWNE52SP303NW26
DWN432SP113CW01	LWNE52SP303BW01	YWNE52SP303UW01
DWN432SP113CW04	LWNE52SP303EW01	YWNE52SP303WW01
FWNE52SP303NW26	LWNE52SP303LW01	YWNE52SP543RW01
FWNE52SP303WW01	LWNE52SP303NW26	YWNE52SP543ZW01
FWNE52SP303ZW01	LWNE52SP303NW35	ZWN432SP113CW01
FWNE52SP303ZW14	LWNE52SP303SW01	ZWN432SP113CW04
	LWNE52SP303UW01	ZWN432SP113FW28
	LWNE52SP303VW26	ZWNE82SP113CW01
	LWNE52SP303WW01	ZWNE82SP113FW01
	LWNE52SP303WW37	ZWNE92SP113FW01
	LWNE52SP303ZW01	
	LWNE52SP543RW01	
	LWNE52SP543ZW01	
	LWNE52WP113FW01	
	LWNE52WP303ZW01	
	LWNE52WP543RW01	
	LWNE52WP543ZW01	

# Graphic Panel, Control Support Panel and Controls

Models AWN312SP303LW22, AWN432SP113CW04, AWN432SP113FW28, DWN432SP113CW01, DWN432SP113CW04, LWN432PP113FW28, LWN432SP113CW04, LWN432SP113FW28, LWN432SP115CW01, YWN432SP113CW04, ZWN432SP113CW01, ZWN432SP113CW04 and ZWN432SP113FW28



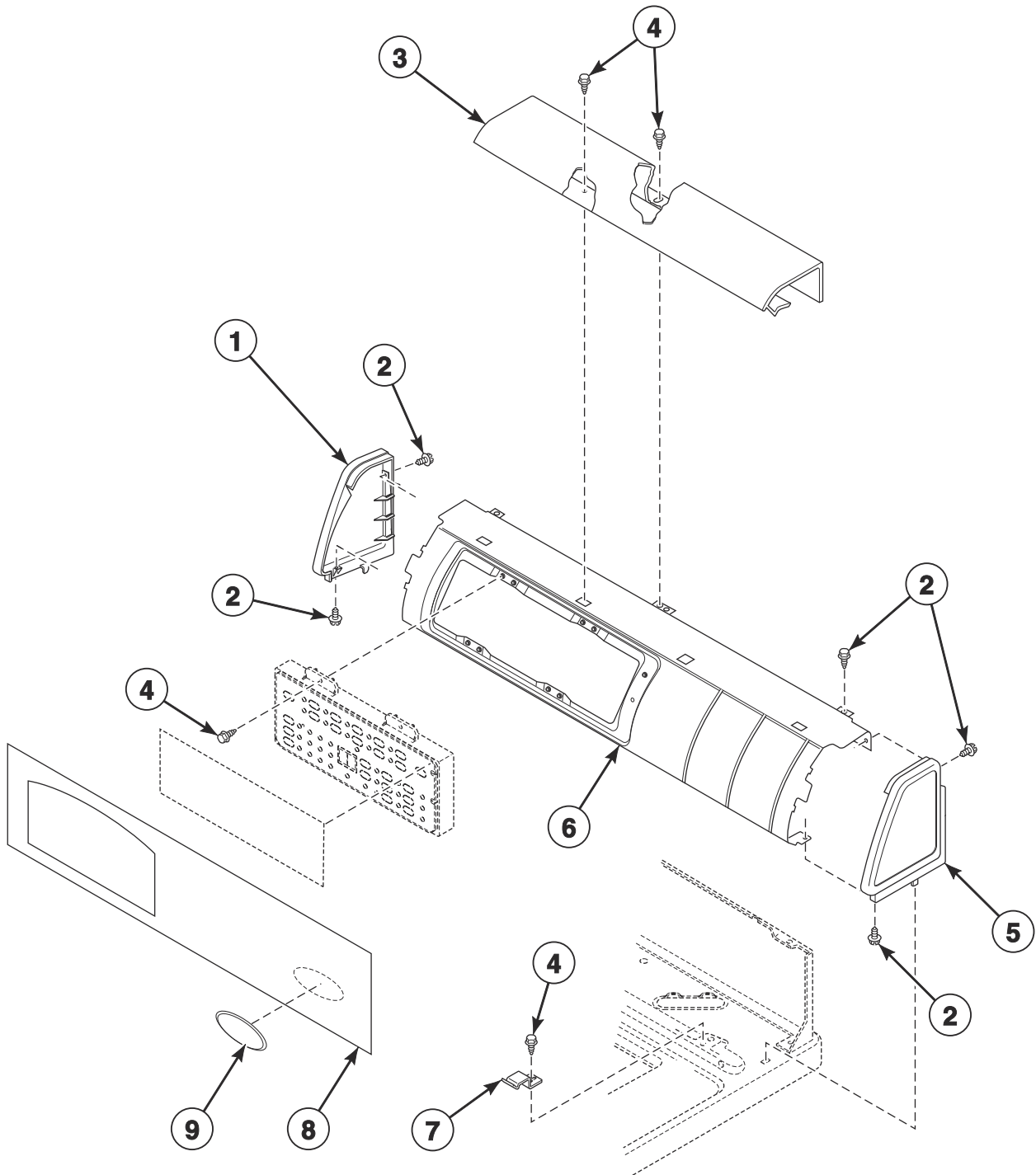
TLW1808P\_203418

## Graphic Panel, Control Support Panel and Controls

REF	PART NO.	DESCRIPTION	COMMENTS
1	D504009WP	End Panel	White; Left
2	D501086	Screw	
3	39905W	Top Cover	White
4	35115	Temperature Switch	3 position
5	201927P	Pressure Switch	Model AWN312SP303LW22
	204156	Pressure Switch	Model LWN432SP115CW01
	202937	Pressure Switch	All other models
6	23962	Screw	
7	37925P	Timer	Model AWN312SP303LW22
	203387P	Timer	Models AWN432SP113CW04, DWN432SP113CW04, LWN432SP113CW04, LWN432SP115CW01, YWN432SP113CW04 and ZWN432SP113CW04
	202705P	Timer	All other models
8	D504008WP	End Panel	White; Right
9	35358	Hold-Down Clip	
10	203672W	Graphic Panel	Models DWN432SP113CW01 and DWN432SP113CW04
	203671W	Control Panel	Models ZWN432SP113CW01, ZWN432SP113CW04 and ZWN432SP113FW28
	203673W	Graphic Panel	Models LWN432PP113FW28, LWN432SP113CW04 and LWN432SP113FW28
	203678W	Graphic Panel	Model YWN432SP113CW04
	203606W	Graphic Panel	Model AWN432SP113FW28
	203822W	Graphic Panel	Model AWN312SP303LW22
	203713W	Graphic Panel	Model AWN432SP113CW04
	203826W	Graphic Panel	Model LWN432SP115CW01
11	38171	Control Support Panel	Model AWN312SP303LW22
	38565	Control Support Panel	All other models
12	00161	Grounding Clip	
13	803116	Timer Skirt Assembly	Models AWN312SP303LW22, AWN432SP113CW04, AWN432SP113FW28, ZWN432SP113CW01, ZWN432SP113CW04 and ZWN432SP113FW28
	36700W	Timer Skirt Assembly	White; All other models
14	202133	Timer Knob Assembly	Models AWN312SP303LW22, AWN432SP113CW04, AWN432SP113FW28, ZWN432SP113CW01, ZWN432SP113CW04 and ZWN432SP113FW28
	201501W	Timer Knob	White; All other models
15	38424W	Rocker Switch	White; All models except AWN312SP303LW22
16	803118P	Knob Assembly	Models AWN312SP303LW22, AWN432SP113CW04, AWN432SP113FW28, ZWN432SP113CW01, ZWN432SP113CW04 and ZWN432SP113FW28
	203323	Knob Assembly	All other models except LWN432SP115CW01
17	803119P	Control Knob Assembly	Models AWN312SP303LW22, AWN432SP113CW04, AWN432SP113FW28, ZWN432SP113CW01, ZWN432SP113CW04 and ZWN432SP113FW28
	36701W	Knob Assembly	All other models

# Graphic Panel and Control Support Panel

All Models Except AWN432SP113CW04, AWN432SP113FW28, DWN432SP113CW01, DWN432SP113CW04, LWN432PP113FW28, LWN432SP113CW04, LWN432SP113FW28, LWN432SP115CW01, YWN432SP113CW04, ZWN432SP113CW01, ZWN432SP113CW04 and ZWN432SP113FW28



TLW1879P\_203418

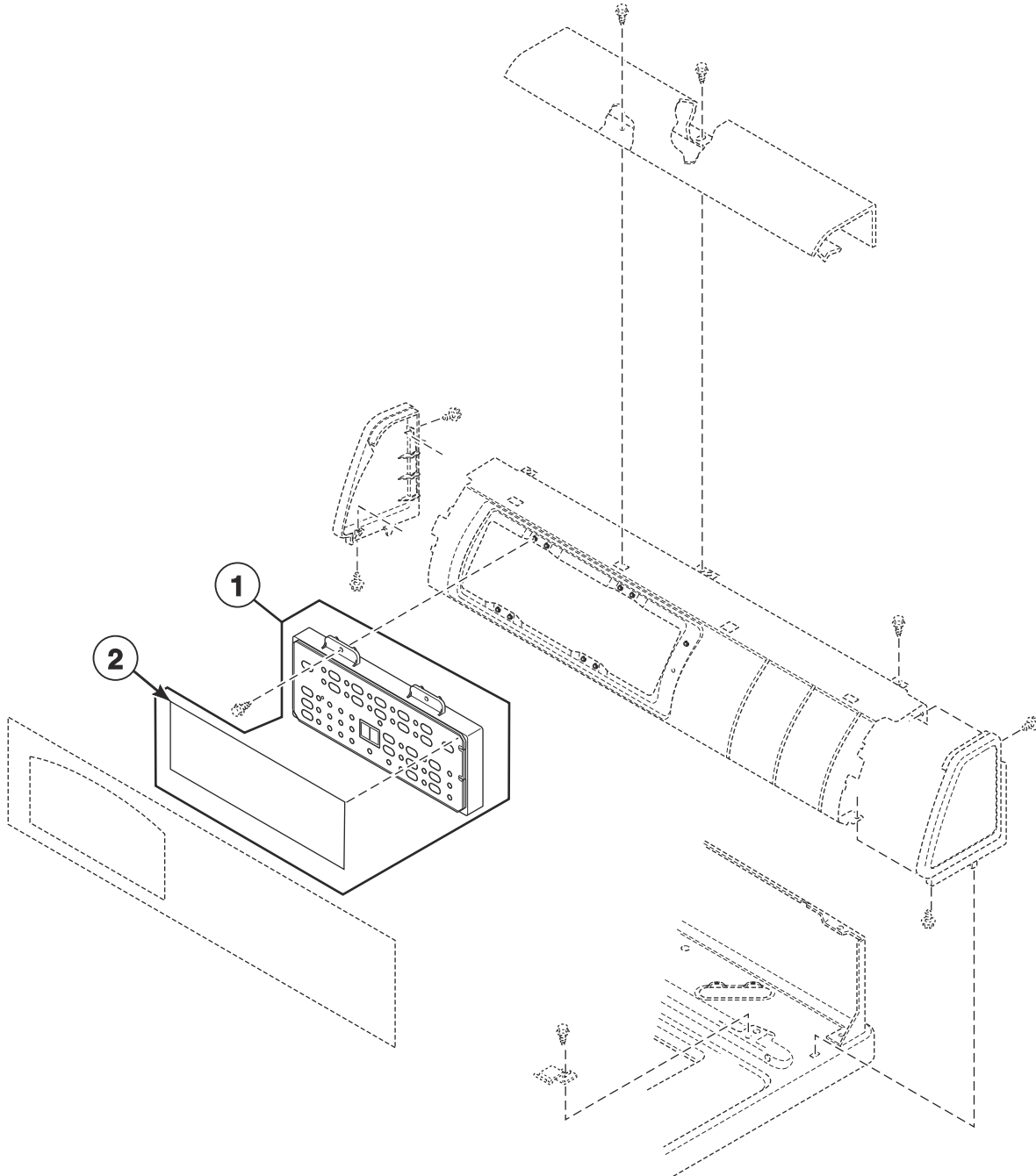


## Graphic Panel and Control Support Panel

REF	PART NO.	DESCRIPTION	COMMENTS
1	D504009WP	End Panel	Left; White
	D504007P	End Panel	Left; Slate
2	D501086	Screw	
3	39905W	Top Cover	White
	39905DG	Top Cover	Dark gray
4	23962	Screw	
5	D504008WP	End Panel	Right; White
	D504006P	End Panel	Right; Slate
6	202942	Control Support Panel	
7	35358	Hold-Down Clip	
8	202797P	Graphic Panel	Models AWNE82SP113CW01, AWNE82SP113FW01, AWNE92SP113FW01, AWNE92SP123DW01, AWNE92SP543DW01, AWNE92SP303NW36, AWNE92SP303XW01, AWNE92SP303XW26 and AWNE92SP303XW34
	203167	Graphic Panel	Models ZWNE82SP113CW01, ZWNE82SP113FW01 and ZWNE92SP113FW01
	203165	Graphic Panel	Models YWNE22PP115CW01, YWNE22SP115CW01, YWNE52PP113CW01, YWNE52SP303EW01, YWNE52SP303NW26, YWNE52SP303UW01, YWNE52SP303WW01, YWNE52SP543RW01 and YWNE52SP543ZW01
	203166	Graphic Panel	Models FWNE52SP303NW26, FWNE52SP303WW01, FWNE52SP303ZW01, FWNE52SP303ZW14, MWNE52SP303WW37 and MWNE52SP543RW01
	203523	Graphic Panel	Models PWNE12PP115CG01, PWNE12PP115CW01, PWNE32PP113CG01, PWNE32PP303AG01 and PWNE32SP303AG01
	203151	Graphic Panel	All other models
9	204166	Domed Label	Models MWNE52SP303WW37 and MWNE52SP543RW01

# Controls and Overlay

All Models Except Awn432SP113CW04, Awn432SP113FW28, Dwn432SP113CW01, Dwn432SP113CW04, Lwn432PP113FW28, Lwn432SP113CW04, Lwn432SP113FW28, Lwn432SP115CW01, Ywn432SP113CW04, Zwn432SP113CW01, Zwn432SP113CW04 and Zwn432SP113FW28

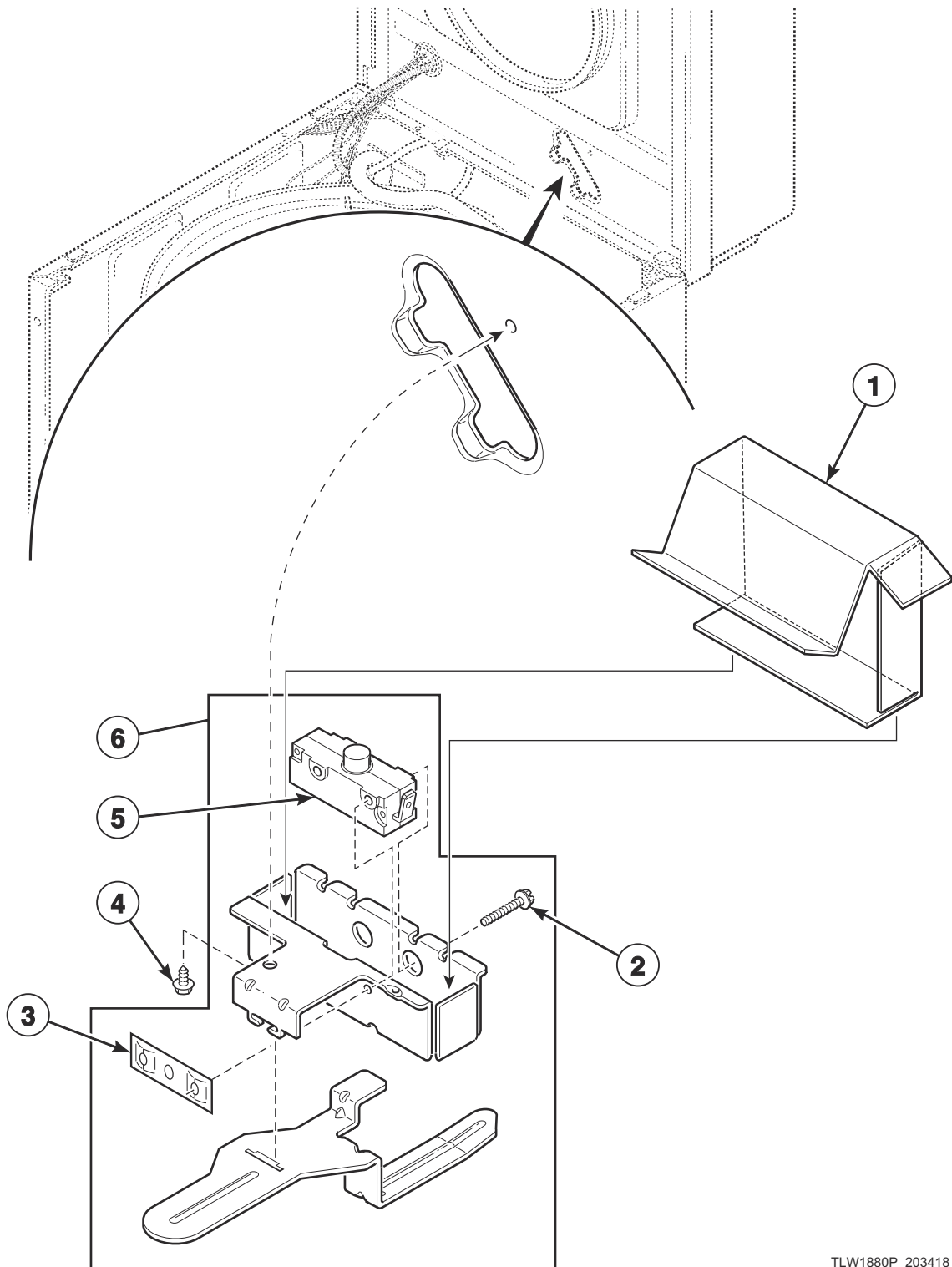


TLW1784P\_203418

# Controls and Overlay

REF	PART NO.	DESCRIPTION	COMMENTS
1	202904P	Control Assembly	Includes item 2; Models AWNE82SP113CW01 and ZWNE82SP113CW01
	202907P	Control Assembly	Includes item 2; Models LWNE52SP303UW01 and YWNE52SP303UW01
	202905P	Control Assembly	Includes item 2; Models FWNE52SP303NW26, FWNE52SP303WW01, FWNE52SP303ZW14, LWNE52PP303SW01, LWNE52SP113CW01, LWNE52SP113FQ01, LWNE52SP113FW01, LWNE52SP303AW01, LWNE52SP303NW35, LWNE52SP303SW01, LWNE52SP303WW01, LWNE52SP303WW37, LWNE52WP113FW01, MWNE52SP303WW37, YWNE52SP303NW26 and YWNE52SP303WW01
	203146P	Control Assembly	Includes item 2; Models LWNE52SP543RW01, LWNE52WP543RW01, MWNE52SP543RW01 and YWNE52SP543RW01
	203087P	Control Assembly	Includes item 2; Models LWNE52SP303EW01 and YWNE52SP303EW01
	202770P	Control Assembly	Includes item 2; Models AWNE82SP113FW01 and ZWNE82SP113FW01
	202769P	Control Assembly	Includes item 2; Models AWNE92SP113FW01, AWNE92SP303NW36, AWNE92SP303XW34 and ZWNE92SP113FW01
	203581	Control Assembly	Includes item 2; Models PWNE32PP113CG01, PWNE32PP303AG01 and PWNE32SP303AG01
	203702P	Control Assembly	Includes item 2; Models AWNE92SP303XW01 and AWNE92SP303XW26
	202903P	Control Assembly	Includes item 2; Models AWNE92SP123DW01 and AWNE92SP543DW01
	204025	Control Assembly	Model AWNE92SP303NW29
	204289	Control Assembly	Includes item 2; Models PWNE12PP115CG01 and PWNE12PP115CW01
	204293	Control Assembly	Includes item 2; Models YWNE22PP115CW01 and YWNE22SP115CW01
	204288	Control Assembly	Includes item 2; Model LWNE22SP115CW01
	202906P	Control Assembly	Includes item 2; All other models
2	202754	Overlay	Models AWNE82SP113CW01 and ZWNE82SP113CW01
	202750	Control Overlay	Models FWNE52SP303NW26, FWNE52SP303WW01, FWNE52SP303ZW14, LWNE52PP303SW01, LWNE52SP113CW01, LWNE52SP113FQ01, LWNE52SP113FW01, LWNE52SP303AW01, LWNE52SP303NW35, LWNE52SP303SW01, LWNE52SP303VW26, LWNE52SP303WW01, LWNE52SP303WW37, LWNE52SP543RW01, LWNE52WP113FW01, LWNE52WP543RW01, MWNE52SP303WW37, MWNE52SP543RW01, YWNE52SP303NW26, YWNE52SP303WW01 and YWNE52SP543RW01
	202922	Overlay	Models LWNE52SP303UW01 and YWNE52SP303UW01
	203077	Overlay	Models LWNE52SP303EW01 and YWNE52SP303EW01
	202751	Control Overlay	Models AWNE82SP113FW01 and ZWNE82SP113FW01
	202628	Overlay	Models AWNE92SP113FW01, AWNE92SP303NW36, AWNE92SP303XW01, AWNE92SP303XW26, AWNE92SP303XW34 and ZWNE92SP113FW01
	202755	Overlay	Models AWNE92SP123DW01 and AWNE92SP543DW01
	203541	Overlay	Models PWNE32PP113CG01, PWNE32PP303AG01 and PWNE32SP303AG01
	203973	Overlay	Model AWNE92SP303NW29
	204168	Overlay	Models PWNE12PP115CG01 and PWNE12PP115CW01
	204165	Overlay	Model LWNE22SP115CW01
	204167	Overlay	Models YWNE22PP115CW01 and YWNE22SP115CW01
	202753	Overlay	All other models

# Lid Switch Assembly



TLW1880P\_203418

# Lid Switch Assembly

REF	PART NO.	DESCRIPTION	COMMENTS
1	203136	Lid Switch Drip Shield	Models AWNE82SP113FW01, AWNE92SP113FW01, AWNE92SP123DW01, AWNE92SP303NW29, AWNE92SP303NW36, AWNE92SP303XW01, AWNE92SP303XW26, AWNE92SP303XW34, AWNE92SP543DW01, FWNE52SP303NW26, FWNE52SP303WW01, FWNE52SP303ZW01, FWNE52SP303ZW14, LWNE52PP113ZW01, LWNE52PP303SW01, LWNE52SP113FQ01, LWNE52SP113FW01, LWNE52SP113ZW01, LWNE52SP303AW01, LWNE52SP303BW01, LWNE52SP303LW01, LWNE52SP303NW26, LWNE52SP303SW01, LWNE52SP303UW01, LWNE52SP303VW26, LWNE52SP303WW01, LWNE52SP303WW37, LWNE52SP303ZW01, LWNE52SP543RW01, LWNE52SP543ZW01, LWNE52WP113FW01, LWNE52WP303ZW01, LWNE52WP543RW01, LWNE52WP543ZW01, MWNE52SP303WW37, MWNE52SP543RW01, PWNE32PP303AG01, PWNE32SP303AG01, YWNE52SP303EW01, YWNE52SP303NW26, YWNE52SP303UW01, YWNE52SP303WW01, YWNE52SP543RW01, YWNE52SP543ZW01, ZWNE82SP113FW01 and ZWNE92SP113FW01
2	M402574	Screw	
3	M400981	Nut	
4	23962	Screw	
5	37830	Switch	Models LWNE52SP303EW01, LWNE52SP303UW01, YWNE52SP303EW01 and YWNE52SP303UW01
	33445	Switch	All other models
6	39256	Switch Assembly	Models LWNE52SP303EW01, LWNE52SP303UW01, YWNE52SP303EW01 and YWNE52SP303UW01
	37631	Lid Switch Assembly	All other models

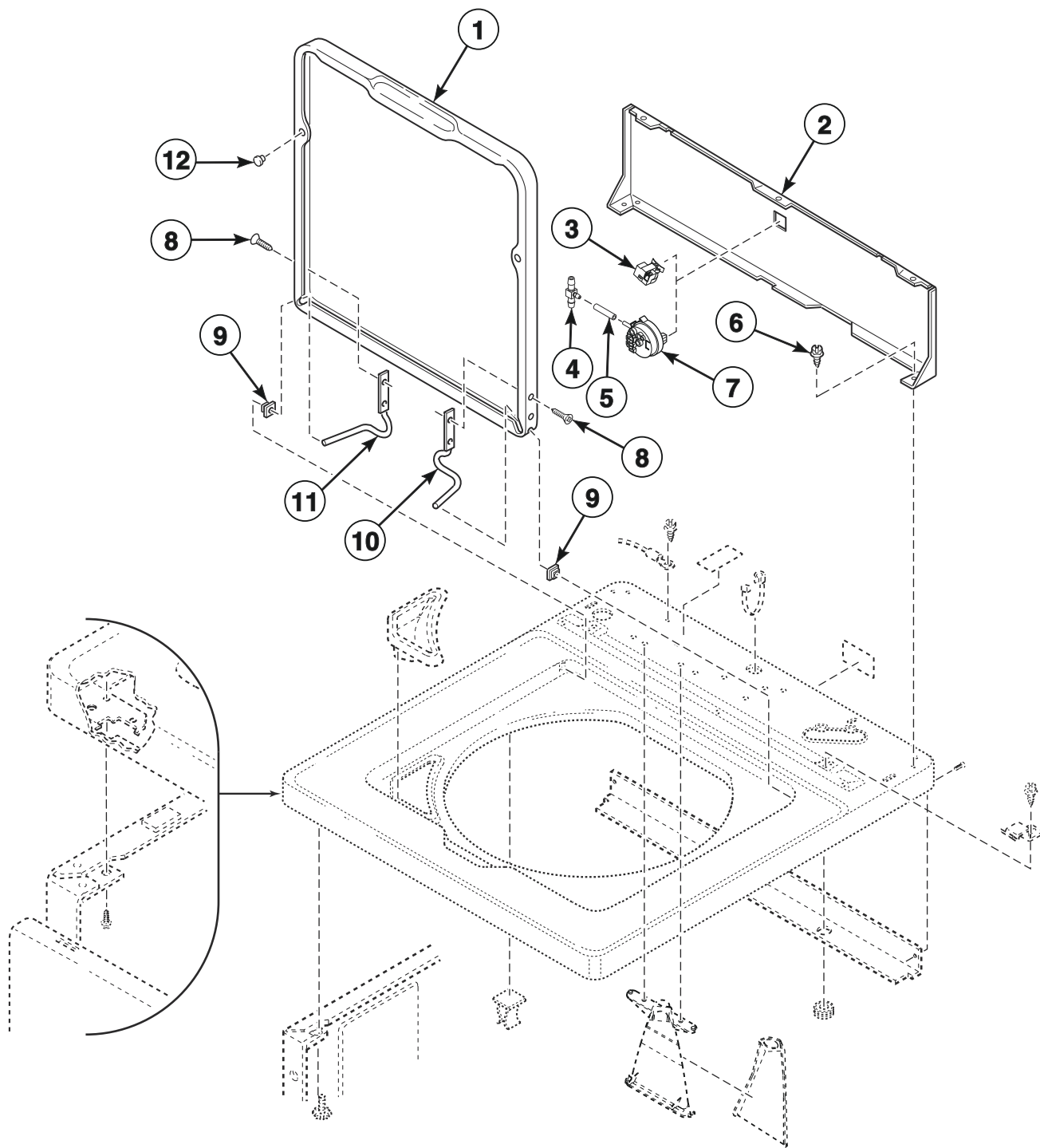


## Top, Lid and Lid Lock

REF	PART NO.	DESCRIPTION	COMMENTS
1	202896W	Lid	White
2	201415	Screw	
3	202934	Door Lock Spacer	
4	202930	Lid Lock Catch Assembly	Includes item 3 and attaching hardware
5	203110	Hood Back Panel	
6	34337	Screw	
7	23962	Screw	
8	52909	Screw	
9	F8211201	Electrical Shock Label	
10	36592	Warning Sticker	
11	431287	Screw	
12	35358	Hold-Down Clip	
13	203946	Top Shield	
14	80262	Grommet	
15	202966W	Top Assembly	Models YWNE52SP303EW01 and YWNE52SP303UW01
	202929W	Top Assembly	Models LWNE52SP303EW01 and LWNE52SP303UW01
16	202623	Screw	
17	29676	Switch Mounting Plate	
18	202933	Lid Lock Kit	
19	22001	Nut	
20	203389	Lid Lock Wire Harness Assembly	
21	22001	Nut	
22	37828P	Cover Plate	
23	32184	Bolt	
24	38382	Bleach Dispenser	
25	33446	Bushing	
26	36437	Lid Hinge	Right
27	36513	Lid Hinge	Left
28	21685	Bumper	
29	203843	Pressure Sensor	

# Lid and Hood Back Panel

All Models Except LWNE52SP303EW01, LWNE52SP303UW01, YWNE52SP303EW01 and YWNE52SP303UW01



TLW1823P\_203418

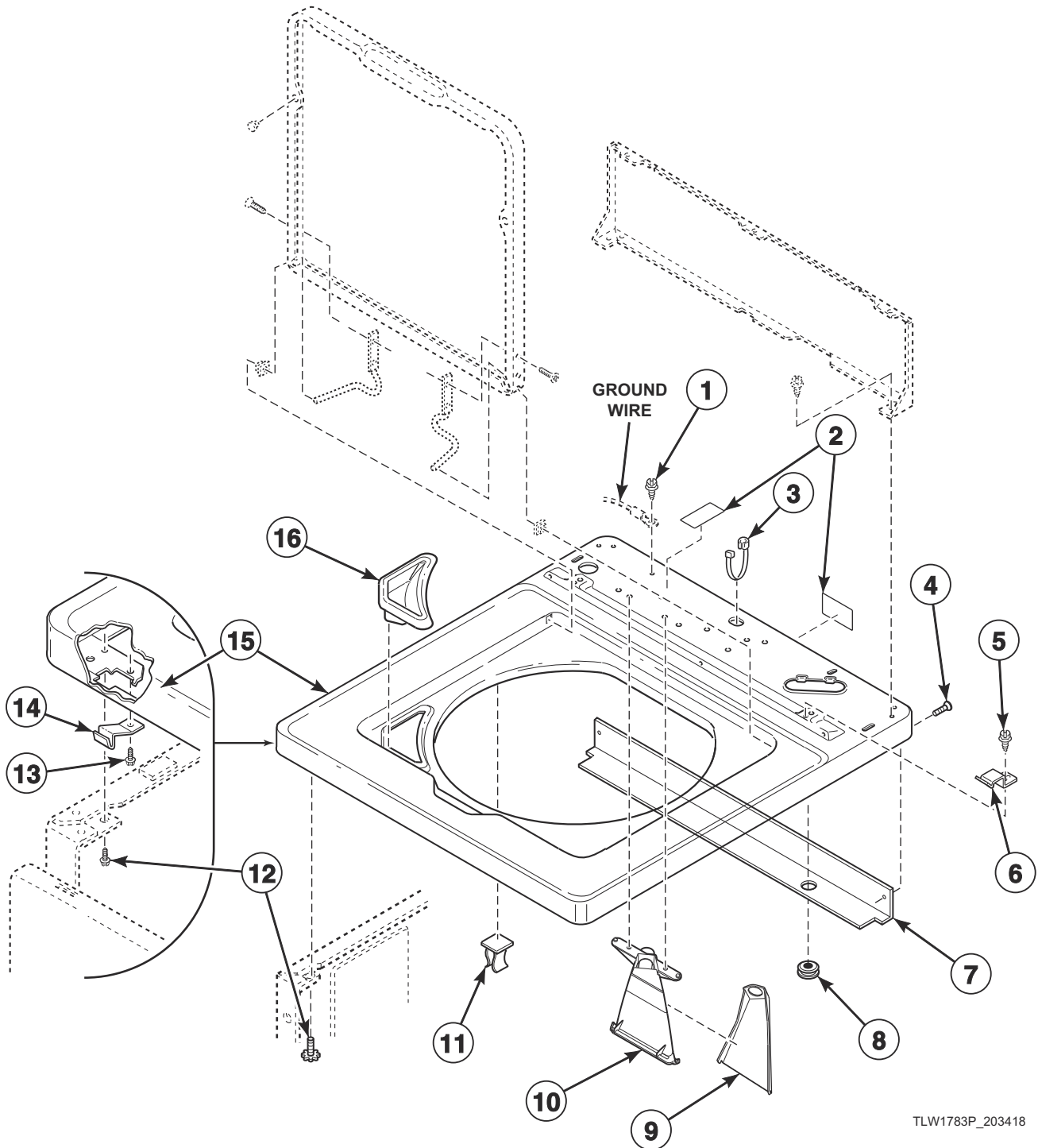


## Lid and Hood Back Panel

REF	PART NO.	DESCRIPTION	COMMENTS
1	37395WP	Lid	White
	37395QP	Lid	Bisque
	37395DG	Lid	Dark gray
	203045	Lid Warning Label	
2	202549	Hood Back Panel	Models AWN432SP113CW04, AWNE82SP113CW01, DWN432SP113CW04, LWN432SP113CW04, LWNE22SP115CW01, LWNE52SP113CW01, PWNE12PP115CG01, PWNE12PP115CW01, PWNE32PP113CG01, YWN432SP113CW04, YWNE22PP115CW01, YWNE22SP115CW01, YWNE52PP113CW01, ZWN432SP113CW04 and ZWNE82SP113CW01
	39921	Hood Back Panel	Model AWNE92SP303NW36
	204259	Hood Back Panel	Model LWN432SP115CW01
	37782	Hood Back Panel	Models AWN312SP303LW22, AWN432SP113FW28, DWN432SP113CW01, LWN432PP113FW28, LWN432SP113FW28, ZWN432SP113CW01 and ZWN432SP113FW28
	203110	Hood Back Panel	All other models
3	203843	Pressure Sensor	All models except AWN312SP303LW22, AWN432SP113CW04, AWN432SP113FW28, DWN432SP113CW01, DWN432SP113CW04, LWN432PP113FW28, LWN432SP113CW04, LWN432SP113FW28, LWN432SP115CW01, YWN432SP113CW04, ZWN432SP113CW01, ZWN432SP113CW04 and ZWN432SP113FW28
4	203464	Barbed Tee	Models AWN432SP113CW04, DWN432SP113CW04, LWN432SP113CW04, YWN432SP113CW04 and ZWN432SP113CW04
5	203511	Tubing	Models AWN432SP113CW04, DWN432SP113CW04, LWN432SP113CW04, YWN432SP113CW04 and ZWN432SP113CW04
6	23962	Screw	
7	B12548401	Pressure Switch	Models AWN432SP113CW04, DWN432SP113CW04, LWN432SP113CW04, YWN432SP113CW04 and ZWN432SP113CW04
8	34337	Screw	
9	33446	Bushing	
10	36437	Lid Hinge	Right
11	36513	Lid Hinge	Left
12	21685	Bumper	

# Top

All Models Except LWNE52SP303EW01, LWNE52SP303UW01, YWNE52SP303EW01 and YWNE52SP303UW01



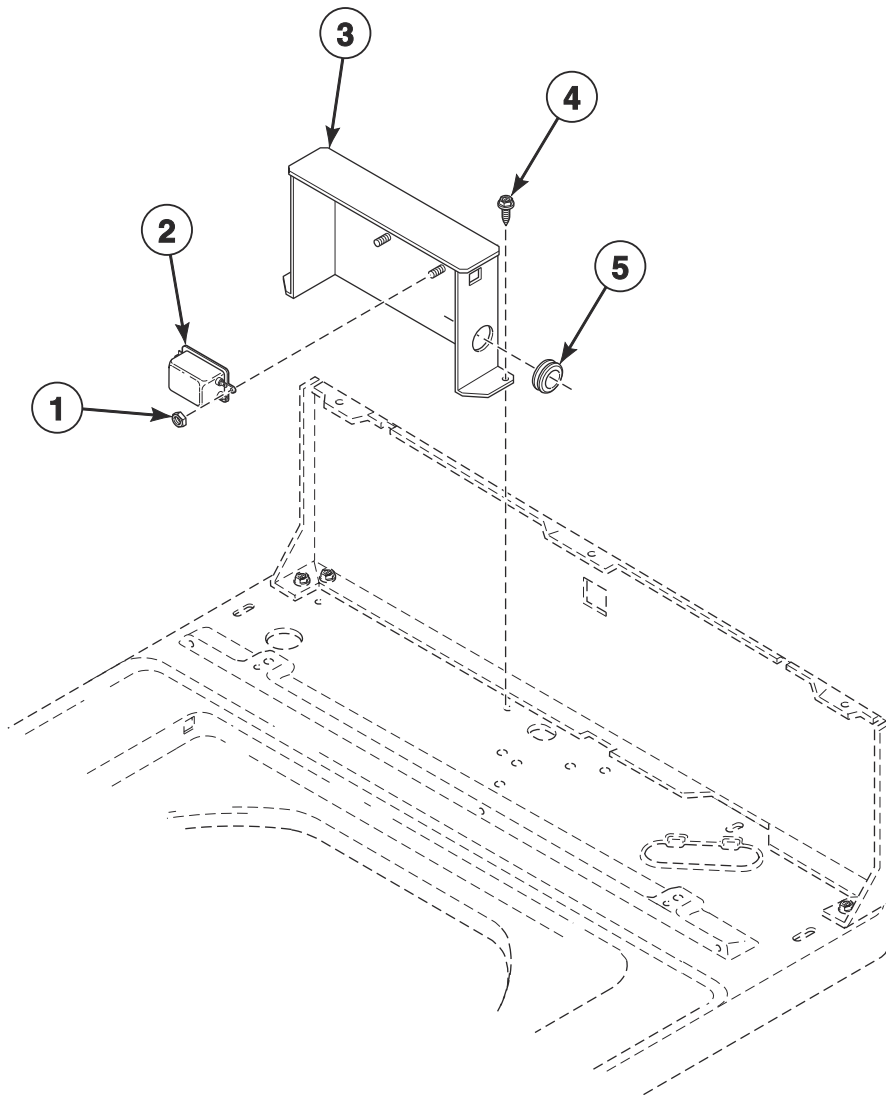
TLW1783P\_203418

# Top

REF	PART NO.	DESCRIPTION	COMMENTS
1	52909	Screw	
2	D500316	Warning Label	Models AWN432SP113CW04, AWNE82SP113CW01, DWN432SP113CW01, DWN432SP113CW04, LWN432SP113CW04, LWN432SP115CW01, LWNE22SP115CW01, LWNE52SP113CW01, PWNE12PP115CG01, PWNE12PP115CW01, PWNE32PP113CG01, YWN432SP113CW04, YWNE22PP115CW01, YWNE22SP115CW01, YWNE52PP113CW01, ZWN432SP113CW01, ZWN432SP113CW04 and ZWNE82SP113CW01
	F8211201	Electrical Shock Label	All other models
3	38384	Strain Relief	
4	431287	Screw	Models AWNE82SP113FW01, AWNE92SP113FW01, AWNE92SP123DW01, AWNE92SP303NW29, AWNE92SP303NW36, AWNE92SP303XW01, AWNE92SP303XW26, AWNE92SP303XW34, AWNE92SP543DW01, FWNE52SP303NW26, FWNE52SP303WW01, FWNE52SP303ZW01, FWNE52SP303ZW14, LWNE52PP113ZW01, LWNE52PP303SW01, LWNE52SP103ZW01, LWNE52SP113FQ01, LWNE52SP113FW01, LWNE52SP113ZW01, LWNE52SP303AW01, LWNE52SP303BW01, LWNE52SP303LW01, LWNE52SP303NW26, LWNE52SP303SW01, LWNE52SP303VW26, LWNE52SP303WW01, LWNE52SP303WW37, LWNE52SP303ZW01, LWNE52SP543RW01, LWNE52SP543ZW01, LWNE52WP113FW01, LWNE52WP303ZW01, LWNE52WP543RW01, LWNE52WP543ZW01, MWNE52SP303WW37, MWNE52SP543RW01, PWNE32PP303AG01, PWNE32SP303AG01, YWNE52SP303NW26, YWNE52SP303WW01, ZWNE82SP113FW01 and ZWNE92SP113FW01
5	23962	Screw	
6	35358	Hold-Down Clip	
7	203946	Top Shield	Models AWNE82SP113FW01, AWNE92SP113FW01, AWNE92SP123DW01, AWNE92SP303NW29, AWNE92SP303NW36, AWNE92SP303XW01, AWNE92SP303XW26, AWNE92SP303XW34, AWNE92SP543DW01, FWNE52SP303NW26, FWNE52SP303WW01, FWNE52SP303ZW01, FWNE52SP303ZW14, LWNE52PP113ZW01, LWNE52PP303SW01, LWNE52SP103ZW01, LWNE52SP113FQ01, LWNE52SP113FW01, LWNE52SP113ZW01, LWNE52SP303AW01, LWNE52SP303BW01, LWNE52SP303LW01, LWNE52SP303NW26, LWNE52SP303SW01, LWNE52SP303VW26, LWNE52SP303WW01, LWNE52SP303WW37, LWNE52SP303ZW01, LWNE52SP543RW01, LWNE52SP543ZW01, LWNE52WP113FW01, LWNE52WP303ZW01, LWNE52WP543RW01, LWNE52WP543ZW01, MWNE52SP303WW37, MWNE52SP543RW01, PWNE32PP303AG01, PWNE32SP303AG01, YWNE52SP303NW26, YWNE52SP303WW01, ZWNE82SP113FW01 and ZWNE92SP113FW01
8	80262	Grommet	Use with item 7
9	202894	Inlet Cover	
10	202900	Inlet Deflector	
11	36519	Hinge Stop Clip	
12	33562	Screw	
13	D501086	Screw	
14	35358	Hold-Down Clip	
15	37992WP	Top	White
	37992QP	Top	Bisque
	37992DG	Top	Dark gray
16	38382	Bleach Dispenser	

# Junction Box

Models AWNE82SP113FW01, AWNE92SP113FW01, AWNE92SP123DW01, AWNE92SP303NW29, AWNE92SP303NW36, AWNE92SP303XW01, AWNE92SP303XW26, AWNE92SP303XW34, AWNE92SP543DW01, FWNE52SP303NW26, FWNE52SP303WW01, FWNE52SP303ZW01, FWNE52SP303ZW14, LWNE52PP113ZW01, LWNE52PP303SW01, LWNE52SP113FQ01, LWNE52SP113FW01, LWNE52SP113ZW01, LWNE52SP303AW01, LWNE52SP303BW01, LWNE52SP303EW01, LWNE52SP303LW01, LWNE52SP303NW26, LWNE52SP303SW01, LWNE52SP303UW01, LWNE52SP303VW26, LWNE52SP303WW01, LWNE52SP303WW37, LWNE52SP303ZW01, LWNE52SP543RW01, LWNE52SP543ZW01, LWNE52WP113FW01, LWNE52WP303ZW01, LWNE52WP543RW01, LWNE52WP543ZW01, MWNE52SP303WW37, MWNE52SP543RW01, PWNE32PP303AG01, PWNE32SP303AG01, YWNE52SP303EW01, YWNE52SP303NW26, YWNE52SP303UW01, YWNE52SP303WW01, YWNE52SP543RW01, YWNE52SP543ZW01, ZWNE82SP113FW01 and ZWNE92SP113FW01

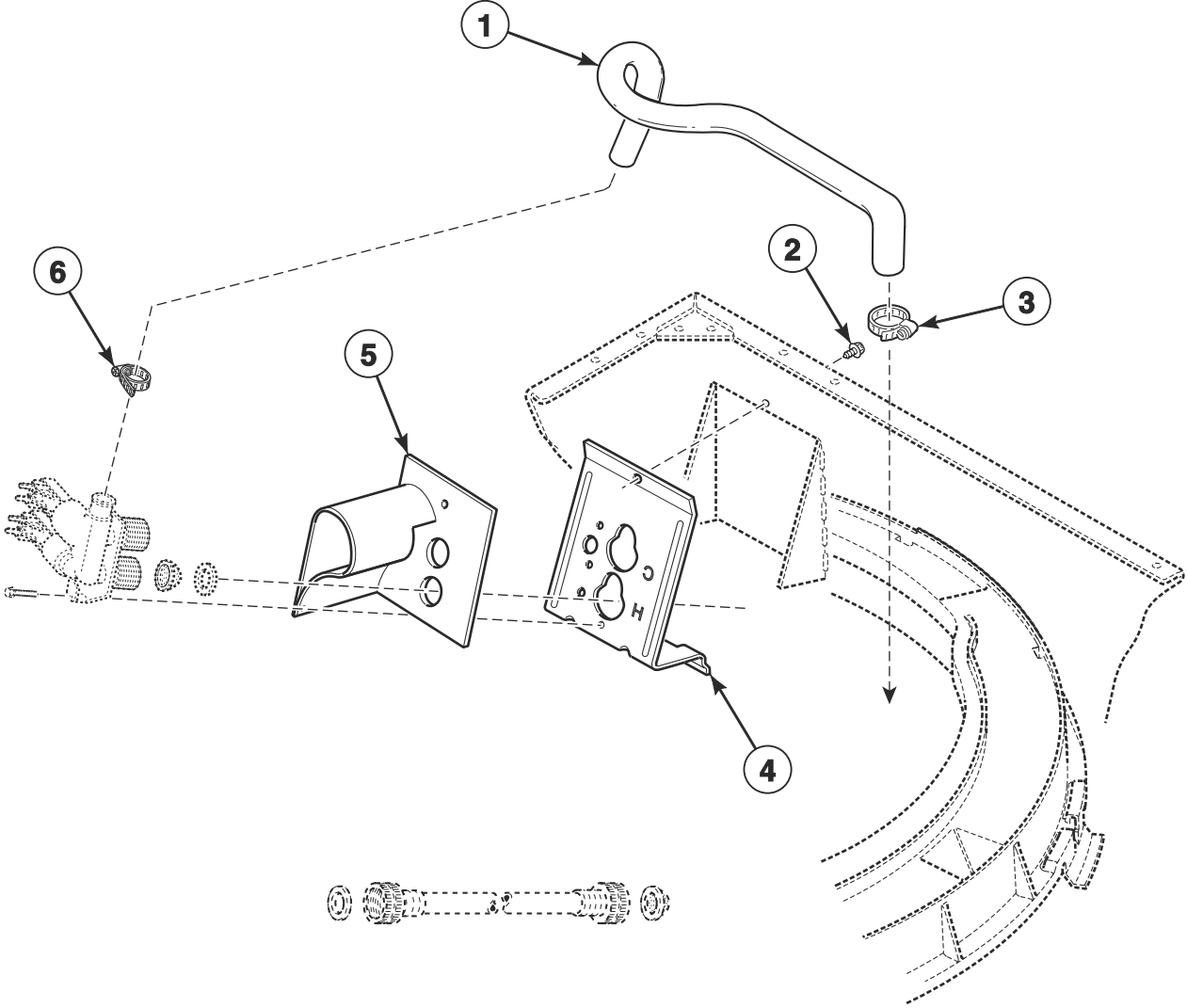


TLW1809P\_203418

# Junction Box

REF	PART NO.	DESCRIPTION	COMMENTS
	202756	Filter Harness	Model AWNE92SP303NW36
	804724	Cable Tie	
1	29787	Nut	
2	804864	Line Filter	
3	203068	Junction Box	
4	800258	Screw	
5	80262	Grommet	

# Mixing Valve-to-Tub Cover Hose and Mixing Valve Bracket

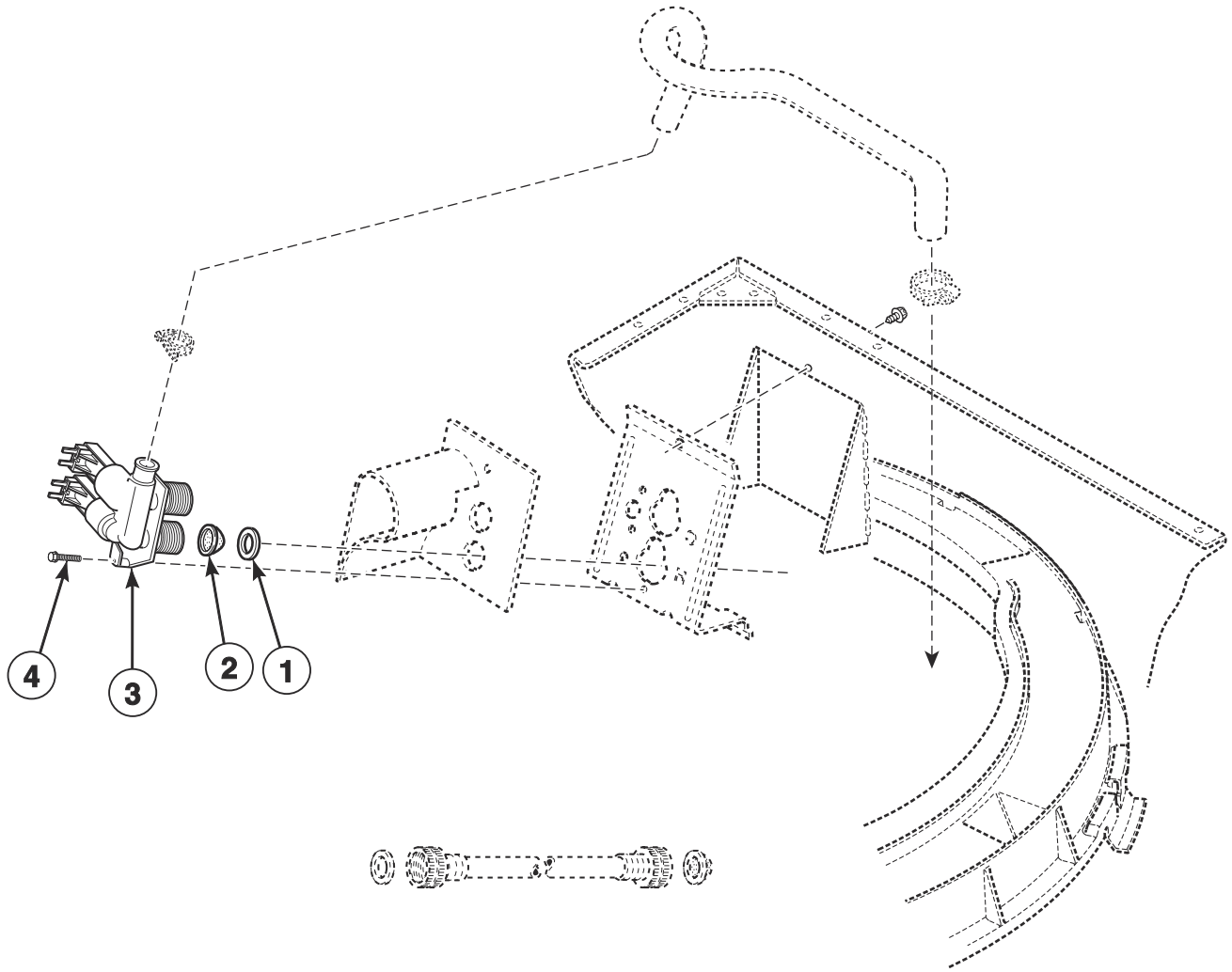


TLW1798P\_203418

## Mixing Valve-to-Tub Cover Hose and Mixing Valve Bracket

REF	PART NO.	DESCRIPTION	COMMENTS
1	202884	Valve to Inlet Hose	Through Serial No. 1810000001
	204400	Valve to Inlet Hose	Starting Serial No. 1810000001
2	33562	Screw	
3	800803	Hose Clamp	
4	39407	Mixing Valve Mounting Bracket	
5	202899	Mixing Valve Shield	Models AWNE82SP113FW01, AWNE92SP113FW01, AWNE92SP123DW01, AWNE92SP303NW29, AWNE92SP303NW36, AWNE92SP303XW01, AWNE92SP303XW26, AWNE92SP303XW34, AWNE92SP543DW01, FWNE52SP303NW26, FWNE52SP303WW01, FWNE52SP303ZW01, FWNE52SP303ZW14, LWNE52PP113ZW01, LWNE52PP303SW01, LWNE52SP103ZW01, LWNE52SP113FQ01, LWNE52SP113FW01, LWNE52SP113ZW01, LWNE52SP303AW01, LWNE52SP303BW01, LWNE52SP303EW01, LWNE52SP303LW01, LWNE52SP303NW26, LWNE52SP303SW01, LWNE52SP303UW01, LWNE52SP303VW26, LWNE52SP303WW01, LWNE52SP303WW37, LWNE52SP303ZW01, LWNE52SP543RW01, LWNE52SP543ZW01, LWNE52WP113FW01, LWNE52WP303ZW01, LWNE52WP543RW01, LWNE52WP543ZW01, MWNE52SP303WW37, MWNE52SP543RW01, PWNE32PP303AG01, PWNE32SP303AG01, YWNE52SP303EW01, YWNE52SP303NW26, YWNE52SP303UW01, YWNE52SP303WW01, YWNE52SP543RW01, YWNE52SP543ZW01, ZWNE82SP113FW01 and ZWNE92SP113FW01
6	36801	Hose Clamp	

# Mixing Valve



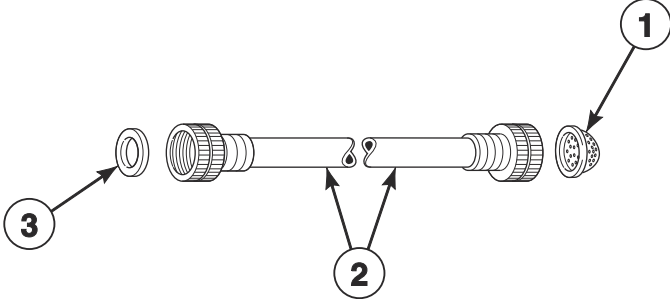
TLW1798PA\_203418



# Mixing Valve

REF	PART NO.	DESCRIPTION	COMMENTS
1	20290	Washer	
2	24122	Mixing Valve Screen	
3	202395P	Mixing Valve	Models AWN432SP113CW04, AWN432SP113FW28, AWNE82SP113CW01, AWNE82SP113FW01, AWNE92SP113FW01, AWNE92SP123DW01, DWN432SP113CW01, DWN432SP113CW04, LWN432PP113FW28, LWN432SP113CW04, LWN432SP113FW28, LWN432SP115CW01, LWNE22SP115CW01, LWNE52PP113ZW01, LWNE52SP113CW01, LWNE52SP113FQ01, LWNE52SP113FW01, LWNE52SP113ZW01, LWNE52WP113FW01, PWNE12PP115CG01, PWNE12PP115CW01, PWNE32PP113CG01, YWN432SP113CW04, YWNE22PP115CW01, YWNE22SP115CW01, YWNE52PP113CW01, ZWN432SP113CW01, ZWN432SP113CW04, ZWN432SP113FW28, ZWNE82SP113CW01, ZWNE82SP113FW01 and ZWNE92SP113FW01; Through Serial No. 1810000001
	203741	Mixing Valve	Models AWN432SP113CW04, AWN432SP113FW28, AWNE82SP113CW01, AWNE82SP113FW01, AWNE92SP113FW01, AWNE92SP123DW01, DWN432SP113CW01, DWN432SP113CW04, LWN432PP113FW28, LWN432SP113CW04, LWN432SP113FW28, LWN432SP115CW01, LWNE22SP115CW01, LWNE52PP113ZW01, LWNE52SP113CW01, LWNE52SP113FQ01, LWNE52SP113FW01, LWNE52SP113ZW01, LWNE52WP113FW01, PWNE12PP115CG01, PWNE12PP115CW01, PWNE32PP113CG01, YWN432SP113CW04, YWNE22PP115CW01, YWNE22SP115CW01, YWNE52PP113CW01, ZWN432SP113CW01, ZWN432SP113CW04, ZWN432SP113FW28, ZWNE82SP113CW01, ZWNE82SP113FW01 and ZWNE92SP113FW01; Starting Serial No. 1810000001
	202396P	Mixing Valve	All other models; Through Serial No. 1810000001
	203928	Mixing Valve	All other models; Starting Serial No. 1810000001
4	39397	Screw	

# Fill Hose



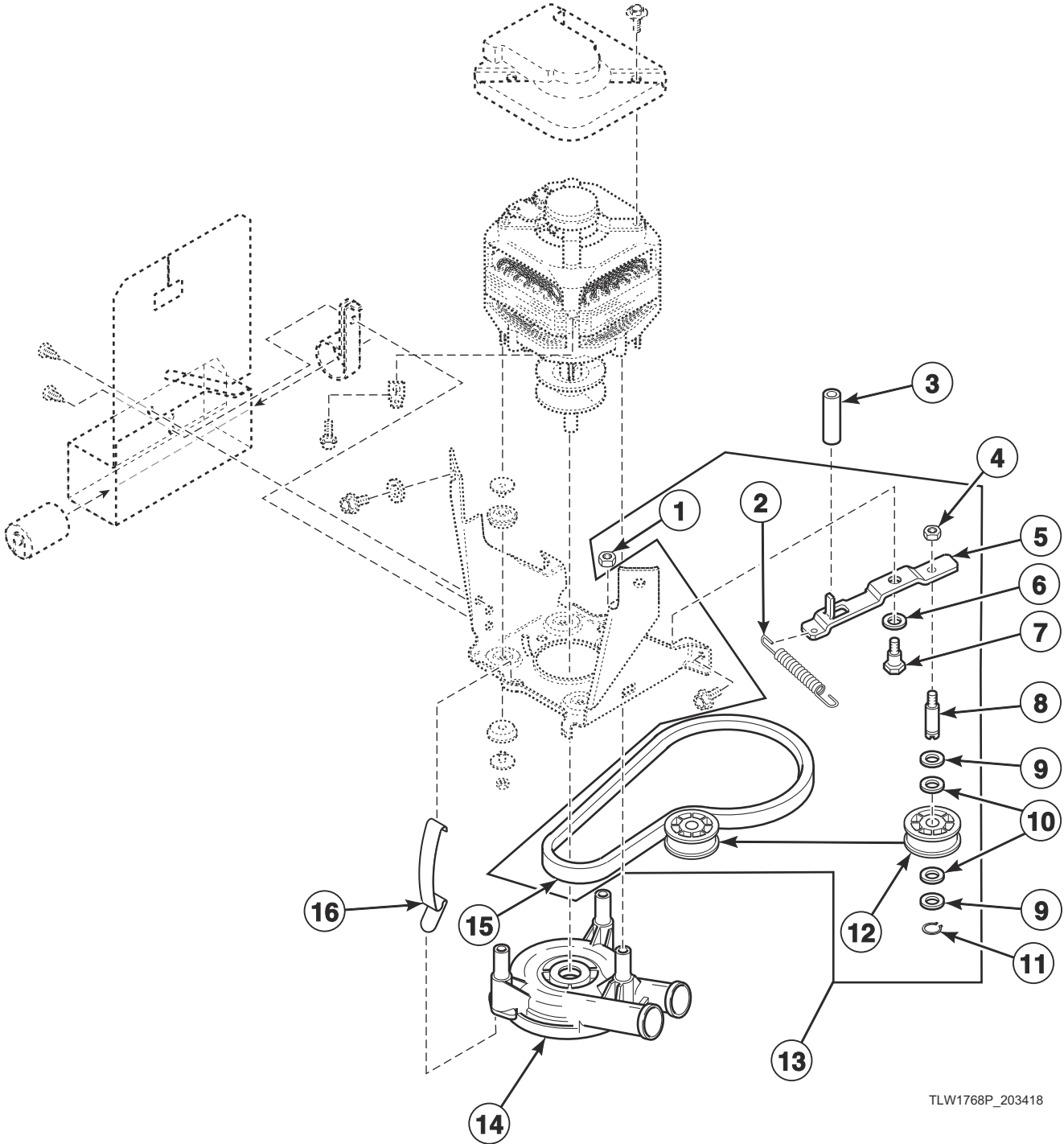
TLW1833P\_203418

# Fill Hose

REF	PART NO.	DESCRIPTION	COMMENTS
1	803615	Washer	Filter screen
	802254	Washer	Flow restrictor; Water pressure reducer; Available for water pressure up to but not exceeding 120 psi
2	203720	Fill Hose	Marked for cold water; 4 feet; 2 GHT thread hose couplings
	203719	Fill Hose	Marked for hot water; 4 feet; 2 GHT thread hose couplings
	203750	Fill Hose	Marked for cold water; 4 feet; 1 BSPP thread hose coupling and 1 GHT thread hose coupling
	203718	Fill Hose	Marked for hot water; 4 feet; 1 BSPP thread hose coupling and 1 GHT thread hose coupling
	204103	Fill Hose	Marked for cold water; 4 feet; 2 BSPP thread hose couplings
	204102	Fill Hose	Marked for hot water; 4 feet; 2 BSPP thread hose couplings
3	20290	Washer	

# Belt, Pump and Idler Assembly (Drawing 1 of 2)

Models AWN312SP303LW22, AWNE92SP303NW29, AWNE92SP303NW36, AWNE92SP303XW01, AWNE92SP303XW26, AWNE92SP303XW34, FWNE52SP303NW26, FWNE52SP303WW01, FWNE52SP303ZW01, FWNE52SP303ZW14, LWNE52PP303SW01, LWNE52SP103ZW01, LWNE52SP303AW01, LWNE52SP303BW01, LWNE52SP303EW01, LWNE52SP303LW01, LWNE52SP303NW26, LWNE52SP303NW35, LWNE52SP303SW01, LWNE52SP303UW01, LWNE52SP303VW26, LWNE52SP303WW01, LWNE52SP303WW37, LWNE52SP303ZW01, LWNE52WP303ZW01, MWNE52SP303WW37, PWNE32PP303AG01, PWNE32SP303AG01, YWNE52SP303EW01, YWNE52SP303NW26, YWNE52SP303UW01 and YWNE52SP303WW01



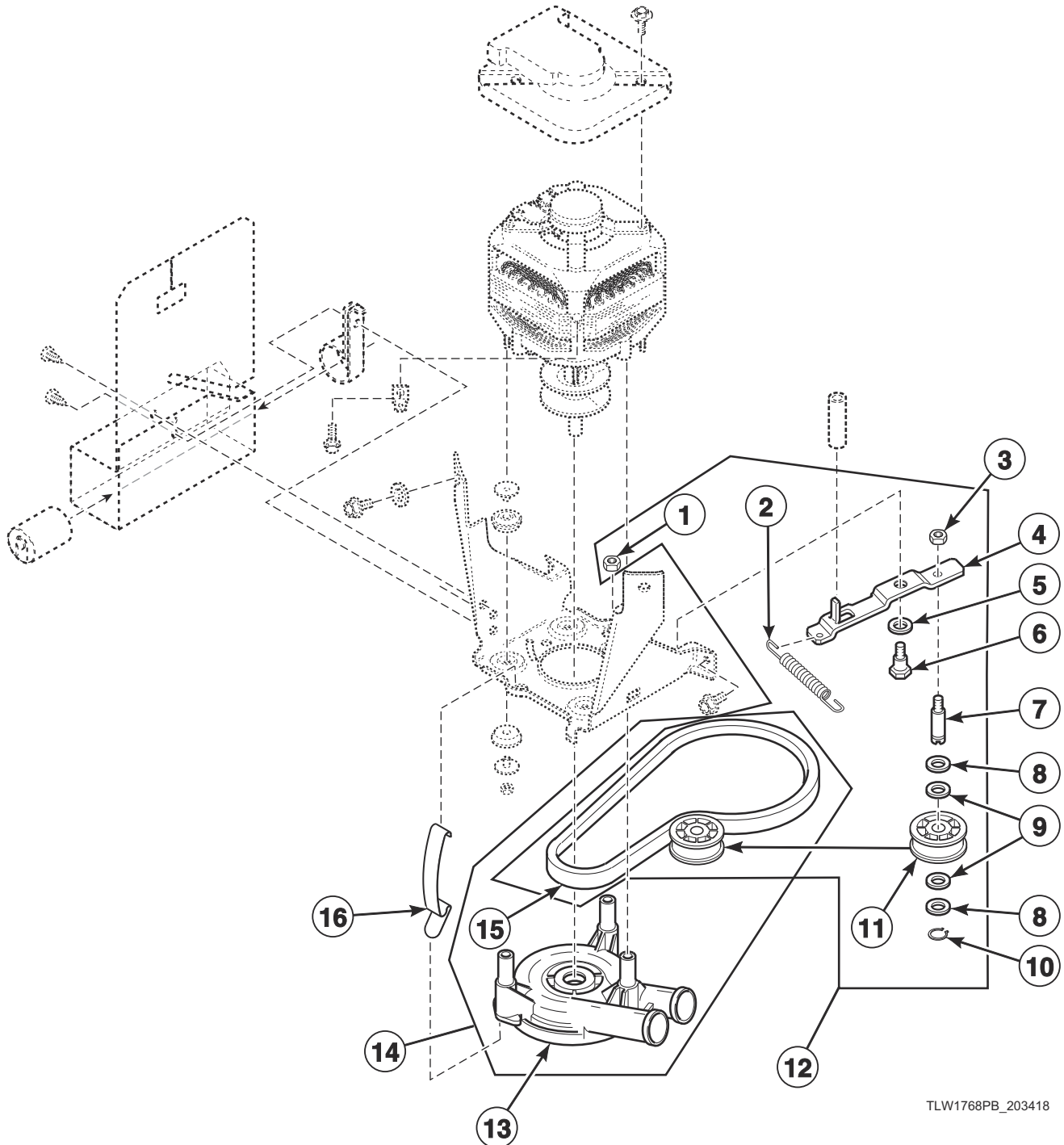
TLW1768P\_203418

## Belt, Pump and Idler Assembly (Drawing 1 of 2)

REF	PART NO.	DESCRIPTION	COMMENTS
	202378	Idler Lever Assembly	Includes items 3-5 and 8-12
1	52566	Nut	
2	201189	Idler Lever Spring	
3	202333	Tube	Models FWNE52SP303NW26, FWNE52SP303ZW01, FWNE52SP303ZW14, LWNE52PP303SW01, LWNE52SP303AW01, LWNE52SP303LW01, LWNE52SP303NW26, LWNE52SP303NW35, LWNE52SP303SW01, LWNE52SP303VW26, LWNE52SP303ZW01, LWNE52WP303ZW01, PWNE32PP303AG01, PWNE32SP303AG01 and YWNE52SP303NW26
4	28803	Nut	
5	38011	Idler Lever	
6	81392	Washer	
7	27229	Screw	
8	210186	Idler Shaft	
9	D504082	Washer	
10	52549	Washer	Nylatron
11	23748	Retaining Ring	
12	38225P	Idler Pulley	
13	202972	Idler Lever and Belt Kit	Includes items 1, 2, 4-12 and 15
14	201566P	Pump	
	201442P	Pump Assembly	Heavy Duty
15	200923	Agitate and Spin Belt	
16	210202	Spring Clip	

# Belt, Pump and Idler Assembly (Drawing 2 of 2)

Models AWN432SP113CW04, AWN432SP113FW28, AWNE82SP113CW01, AWNE82SP113FW01, AWNE92SP113FW01, AWNE92SP123DW01, AWNE92SP543DW01, DWN432SP113CW01, DWN432SP113CW04, LWN432PP113FW28, LWN432SP113CW04, LWN432SP113FW28, LWN432SP115CW01, LWNE22SP115CW01, LWNE52PP113ZW01, LWNE52SP113CW01, LWNE52SP113FQ01, LWNE52SP113FW01, LWNE52SP113ZW01, LWNE52SP543RW01, LWNE52SP543ZW01, LWNE52WP113FW01, LWNE52WP543RW01, LWNE52WP543ZW01, MWNE52SP543RW01, PWNE12PP115CG01, PWNE12PP115CW01, PWNE32PP113CG01, YWN432SP113CW04, YWNE22PP115CW01, YWNE22SP115CW01, YWNE52PP113CW01, YWNE52SP543RW01, YWNE52SP543ZW01, ZWN432SP113CW01, ZWN432SP113CW04, ZWN432SP113FW28, ZWNE82SP113CW01, ZWNE82SP113FW01 and ZWNE92SP113FW01

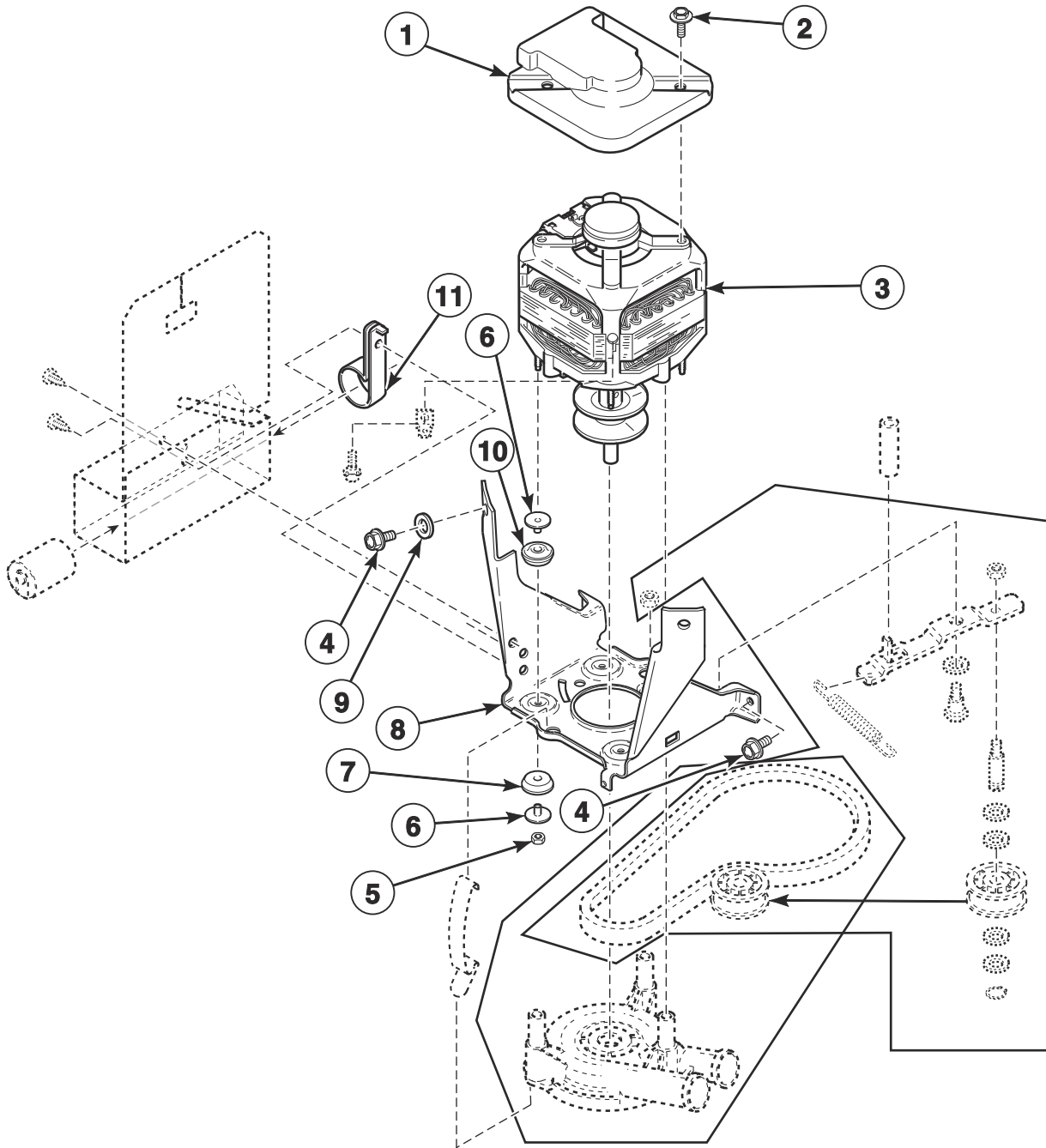


TLW1768PB\_203418

## Belt, Pump and Idler Assembly (Drawing 2 of 2)

REF	PART NO.	DESCRIPTION	COMMENTS
	202378	Idler Lever Assembly	Includes items 3, 4 and 7-11
1	52566	Nut	
2	202032	Idler Lever Spring	
3	28803	Nut	
4	38011	Idler Lever	
5	81392	Washer	
6	27229	Screw	
7	210186	Idler Shaft	
8	D504082	Washer	
9	52549	Washer	Nylatron
10	23748	Retaining Ring	
11	38225P	Idler Pulley	
12	959P3	Idler Lever Kit	Includes items 1, 2, 3-11 and 15
13	201566P	Pump	
	201442P	Pump Assembly	Heavy Duty
14	RB150003	Belt and Pump Kit	Includes items 13 and 15
15	38174	Agitate and Spin Belt	
16	210202	Spring Clip	

# Motor and Mounting Bracket (Drawing 1 of 2)



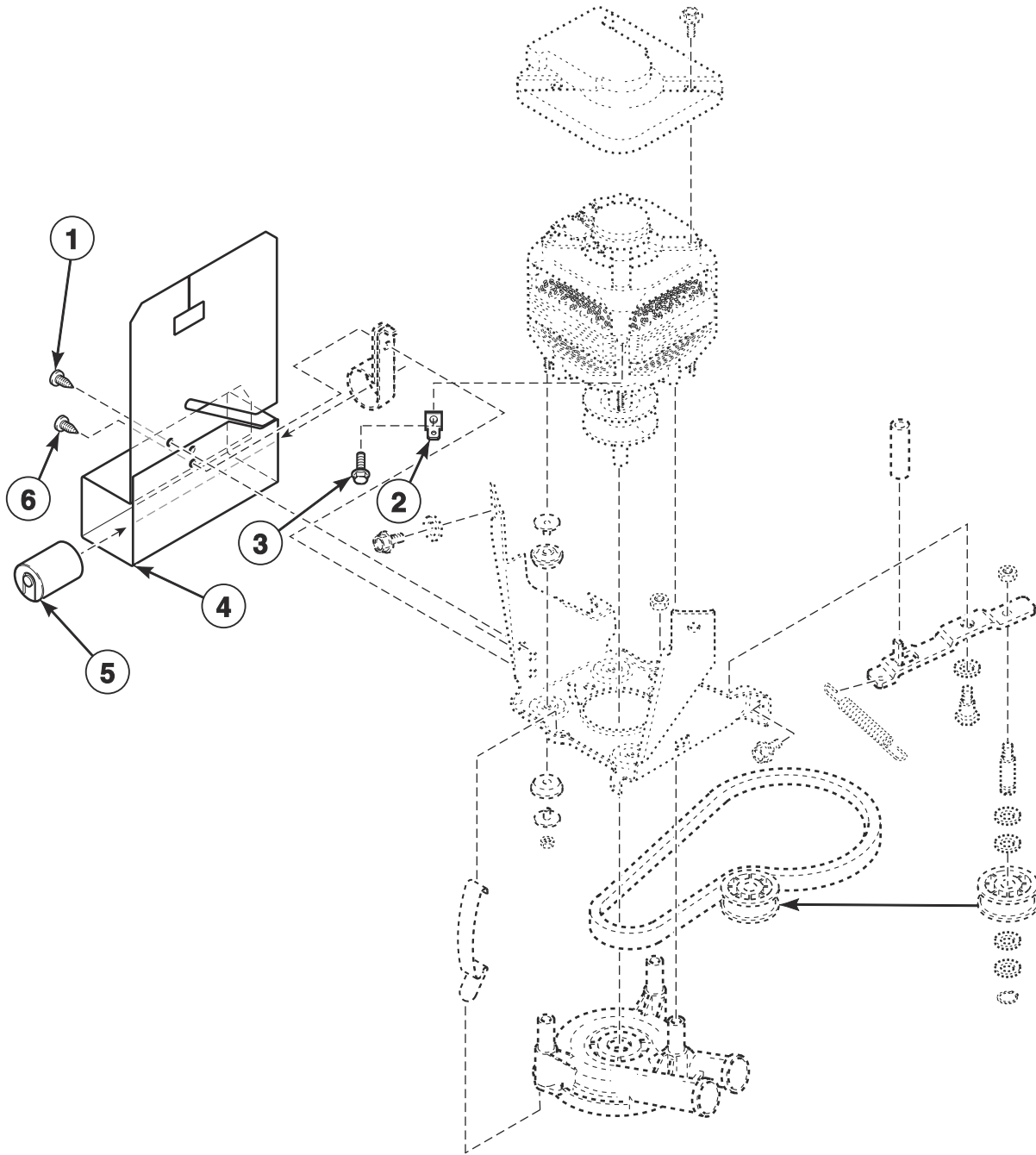
TLW1768PA\_203418



## Motor and Mounting Bracket (Drawing 1 of 2)

REF	PART NO.	DESCRIPTION	COMMENTS
1	34754	Motor Shield	
2	36639	Screw	
3	201433P	Motor Kit	2 speed; 240 Volt/50 Hertz; Model AWN312SP303LW22
	202960	Motor Assembly	2 speed; 220 Volt/60 Hertz; Models AWNE92SP543DW01, LWNE52SP543RW01, LWNE52SP543ZW01, LWNE52WP543RW01, LWNE52WP543ZW01, MWNE52SP543RW01, YWNE52SP543RW01 and YWNE52SP543ZW01
	38034P	Motor Kit	2 speed; 120 Volt/60 Hertz; Models AWN432SP113CW04, AWN432SP113FW28, AWNE82SP113CW01, AWNE82SP113FW01, AWNE92SP113FW01, DWN432SP113CW01, DWN432SP113CW04, LWN432PP113FW28, LWN432SP113CW04, LWN432SP113FW28, LWN432SP115CW01, LWNE22SP115CW01, LWNE52PP113ZW01, LWNE52SP113CW01, LWNE52SP113FQ01, LWNE52SP113FW01, LWNE52SP113ZW01, LWNE52WP113FW01, PWNE12PP115CG01, PWNE12PP115CW01, PWNE32PP113CG01, YWN432SP113CW04, YWNE22PP115CW01, YWNE22SP115CW01, YWNE52PP113CW01, ZWN432SP113CW01, ZWN432SP113CW04, ZWN432SP113FW28, ZWNE82SP113CW01, ZWNE82SP113FW01 and ZWNE92SP113FW01
	202961	Motor Assembly	2 speed; Model LWNE52SP103ZW01
	202971	Motor Assembly	2 speed; 127 Volt/60 Hertz; Model AWNE92SP123DW01
	202544P	Motor Assembly	2 speed; All other models
4	35369	Screw	
5	35423	Nut	
6	38325	Isolator Post	
7	204062	Isolator Assembly	
8	200941	Motor Mount Bracket	
9	37772	Washer	
10	38395	Motor Mount	
11	37535	Capacitor Clamp	

# Motor and Mounting Bracket (Drawing 2 of 2)

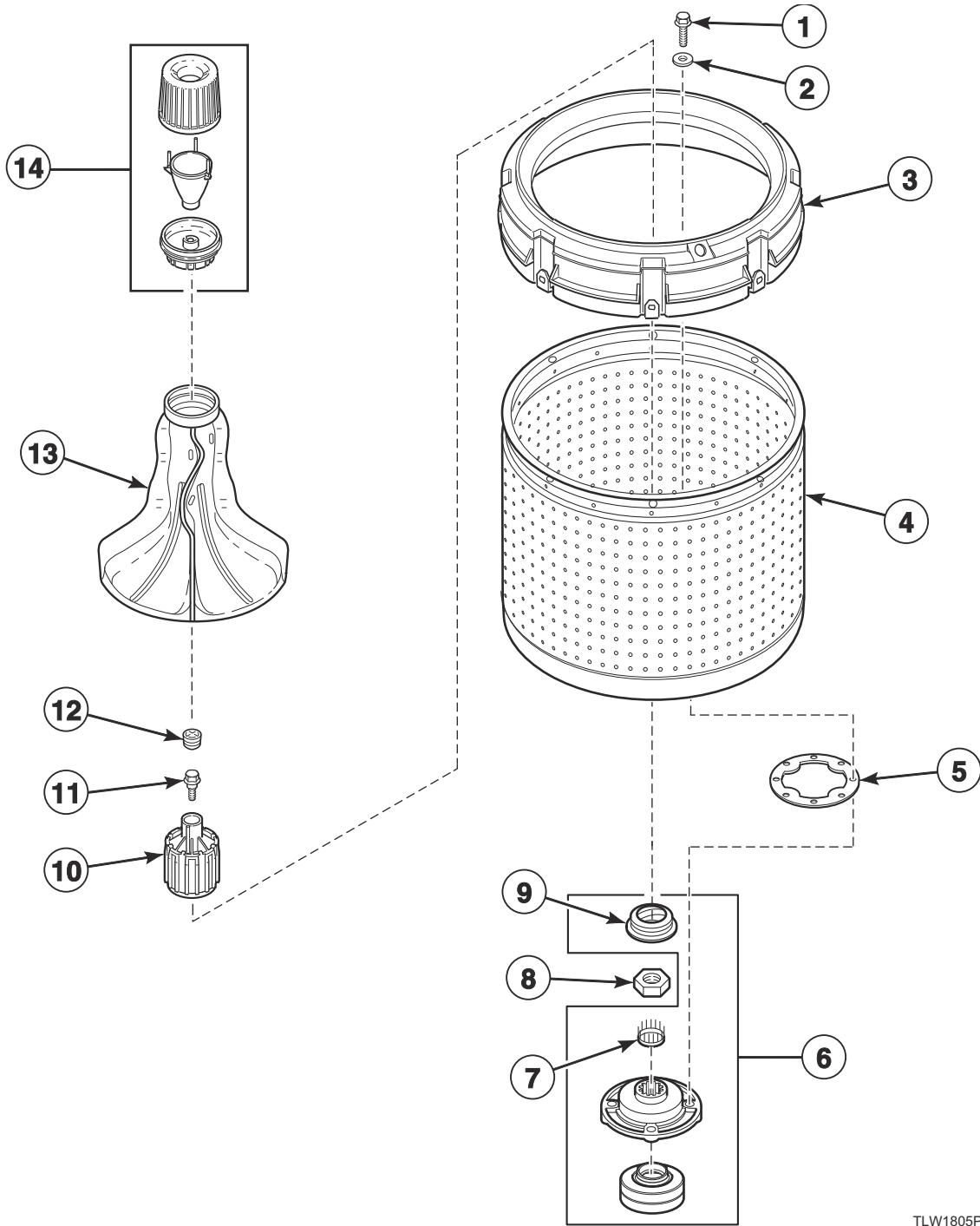


TLW1768PC\_203418

## Motor and Mounting Bracket (Drawing 2 of 2)

REF	PART NO.	DESCRIPTION	COMMENTS
1	52909	Screw	
2	00177	Male Tab Terminal	Models AWN312SP303LW22, AWNE92SP303NW29, AWNE92SP303NW36, AWNE92SP303XW01, AWNE92SP303XW26, AWNE92SP303XW34, FWNE52SP303NW26, FWNE52SP303WW01, FWNE52SP303ZW01, FWNE52SP303ZW14, LWNE52PP303SW01, LWNE52SP303AW01, LWNE52SP303BW01, LWNE52SP303NW26, LWNE52SP303SW01, LWNE52SP303VW26, LWNE52SP303WW01, LWNE52SP303WW37, LWNE52SP303ZW01, MWNE52SP303WW37, MWNE52SP543RW01, PWNE32PP303AG01, PWNE32SP303AG01, YWNE52SP303NW26 and YWNE52SP303WW01
3	20530	Screw	Models AWN312SP303LW22, AWNE92SP303NW29, AWNE92SP303NW36, AWNE92SP303XW01, AWNE92SP303XW26, AWNE92SP303XW34, FWNE52SP303NW26, FWNE52SP303WW01, FWNE52SP303ZW01, FWNE52SP303ZW14, LWNE52PP303SW01, LWNE52SP303AW01, LWNE52SP303BW01, LWNE52SP303NW26, LWNE52SP303SW01, LWNE52SP303VW26, LWNE52SP303WW01, LWNE52SP303WW37, LWNE52SP303ZW01, MWNE52SP303WW37, MWNE52SP543RW01, PWNE32PP303AG01, PWNE32SP303AG01, YWNE52SP303NW26 and YWNE52SP303WW01
4	203053	Motor Drip Shield	All models except AWN312SP303LW22
5	39259P	Capacitor and Clamp Kit	Model LWNE52SP303NW35
	37377	Capacitor	Models AWN432SP113CW04, AWN432SP113FW28, AWNE82SP113CW01, DWN432SP113CW01, DWN432SP113CW04, LWN432PP113FW28, LWN432SP113CW04, LWN432SP113FW28, LWN432SP115CW01, LWNE22SP115CW01, LWNE52SP103ZW01, LWNE52SP113CW01, PWNE12PP115CG01, PWNE12PP115CW01, PWNE32PP113CG01, YWN432SP113CW04, YWNE22PP115CW01, YWNE22SP115CW01, YWNE52PP113CW01, ZWN432SP113CW01, ZWN432SP113CW04, ZWN432SP113FW28 and ZWNE82SP113CW01
	203141	Capacitor	Models AWNE82SP113FW01, AWNE92SP113FW01, AWNE92SP123DW01, AWNE92SP543DW01, LWNE52PP113ZW01, LWNE52SP113FQ01, LWNE52SP113FW01, LWNE52SP113ZW01, LWNE52WP113FW01, ZWNE82SP113FW01 and ZWNE92SP113FW01
	203140	Capacitor	All other models except AWN312SP303LW22
6	31645	Screw	

# Agitator, Fabric Softener Dispenser, Drive Bell, Hub and Lip Seal Kit and Washtub

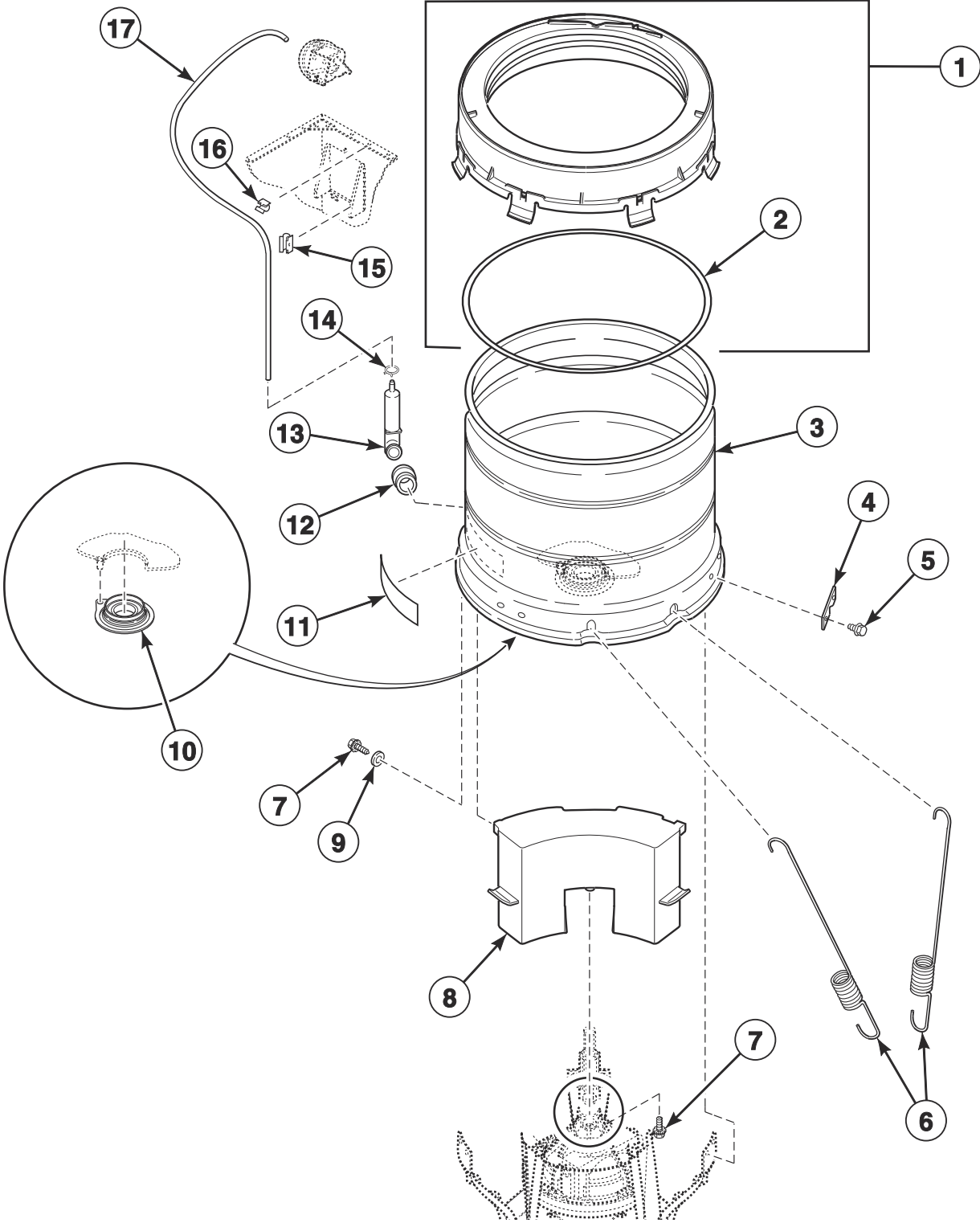


TLW1805P\_203418

## Agitator, Fabric Softener Dispenser, Drive Bell, Hub and Lip Seal Kit and Washtub

REF	PART NO.	DESCRIPTION	COMMENTS
1	27202	Screw	
2	28094	Washer	Rubber; Use with porcelain washtub; Models LWN432PP113FW28, LWNE52PP113ZW01, LWNE52PP303SW01, LWNE52WP113FW01, LWNE52WP303ZW01, LWNE52WP543RW01, LWNE52WP543ZW01, PWNE12PP115CG01, PWNE12PP115CW01, PWNE32PP113CG01, PWNE32PP303AG01, YWNE22PP115CW01 and YWNE52PP113CW01
3	39837	Balance Ring Assembly	
4	39240P	Tub Assembly	White porcelain; Models LWNE52WP113FW01, LWNE52WP303ZW01, LWNE52WP543RW01 and LWNE52WP543ZW01
	39250P	Tub Kit	Blue porcelain; Models LWN432PP113FW28, LWNE52PP113ZW01, LWNE52PP303SW01, PWNE12PP115CG01, PWNE12PP115CW01, PWNE32PP113CG01, PWNE32PP303AG01, YWNE22PP115CW01 and YWNE52PP113CW01
	719P3	Washtub Kit	Stainless steel; All other models
5	39122	Washtub Gasket	
6	766P3A	Hub and Lip Seal Kit	DO NOT use any sealant other than 200996P Sealant; Includes item 10 and installation tool
	200996P	Sealant	Use with hub and lip seal kit
7	29728	Spline Insert	
8	29220	Nut	
9	36425	Bell and Transmission Tube Seal	
10	39508P	Drive Bell and Seal Kit	Includes items 9, 11 and 12
11	39432	Screw	
12	36511	Bell Plug	
13	33174	Agitator	Curved vane; Models LWNE52SP303EW01, LWNE52SP303UW01, YWNE52SP303EW01 and YWNE52SP303UW01
	36507	Flex Vane Agitator	All other models
14	36542	Fabric Softener Dispenser Assembly	

# Outer Tub, Cover, Bearing and Seal Housing, Pressure Hose and Counterweight

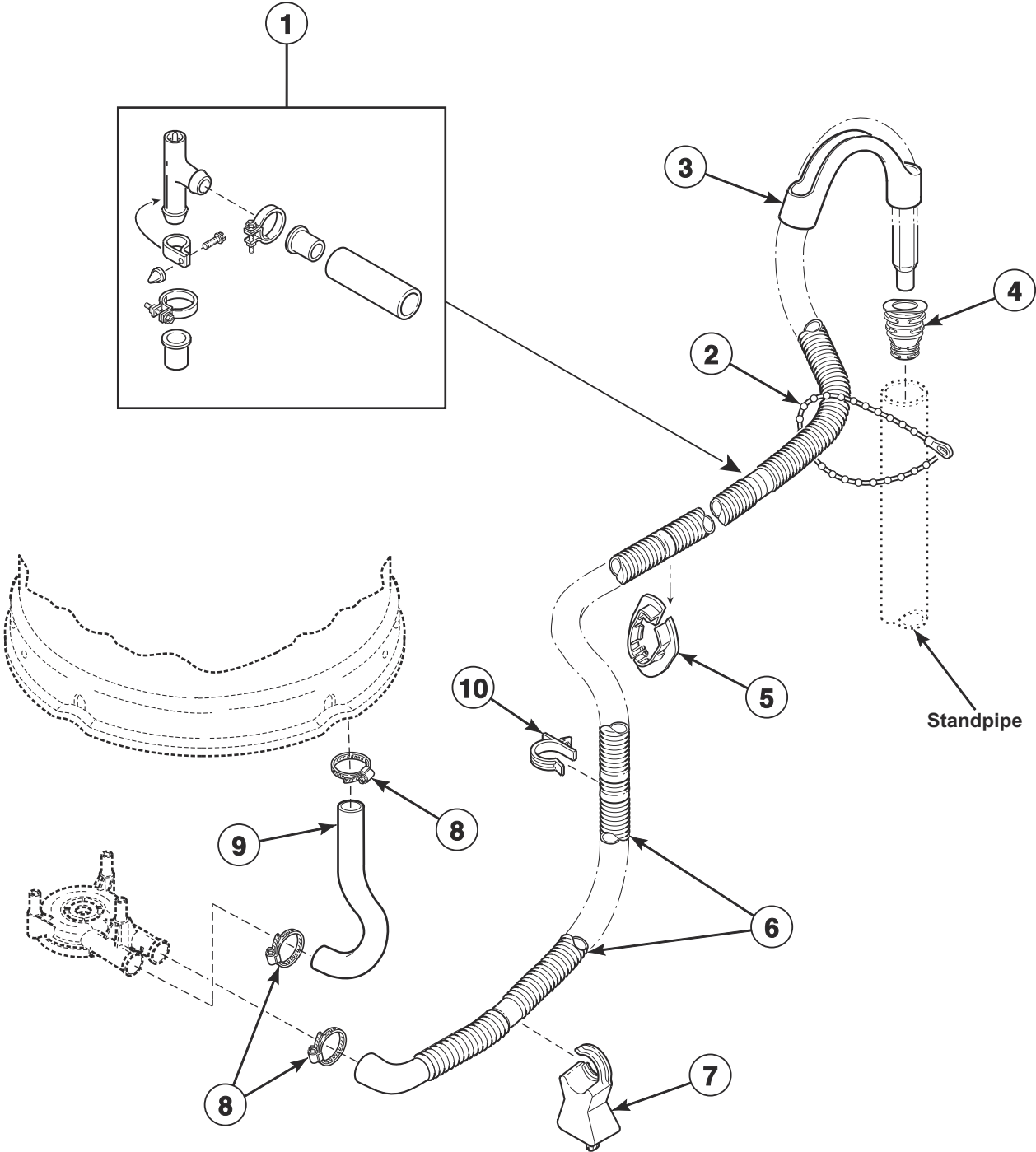


TLW1807P\_203418

## Outer Tub, Cover, Bearing and Seal Housing, Pressure Hose and Counterweight

REF	PART NO.	DESCRIPTION	COMMENTS
1	202888	Tub Cover Assembly	Includes item 2
2	38359	Tub Cover Gasket	
3	203603P	Outer Tub Assembly	
4	27926	Leg Plate	
5	35369	Screw	
6	201521	Leg Spring	Marked with green paint; Use to replace two rear springs (closest to counterweight); Models AWN312SP303LW22, AWNE92SP303NW29, AWNE92SP303NW36, AWNE92SP303XW01, AWNE92SP303XW26, AWNE92SP303XW34, FWNE52SP303NW26, FWNE52SP303WW01, FWNE52SP303ZW01, FWNE52SP303ZW14, LWNE52PP303SW01, LWNE52SP103ZW01, LWNE52SP303AW01, LWNE52SP303BW01, LWNE52SP303EW01, LWNE52SP303LW01, LWNE52SP303NW26, LWNE52SP303NW35, LWNE52SP303SW01, LWNE52SP303UW01, LWNE52SP303VW26, LWNE52SP303WW01, LWNE52SP303WW37, LWNE52SP303ZW01, LWNE52SP543RW01, LWNE52SP543ZW01, LWNE52WP303ZW01, LWNE52WP543RW01, LWNE52WP543ZW01, MWNE52SP303WW37, MWNE52SP543RW01, PWNE32PP303AG01, PWNE32SP303AG01, YWNE52SP303EW01, YWNE52SP303NW26, YWNE52SP303UW01, YWNE52SP303WW01, YWNE52SP543RW01 and YWNE52SP543ZW01
	37575	Leg Spring	Marked with blue paint
7	39566	Screw	
8	38769	Counterweight Assembly	
9	39249	Washer	
10	766P3A	Hub and Lip Seal Kit	Do NOT use any sealant other than 200996P Sealant
	200996P	Sealant	Use with hub and lip seal kit
11	F8615701	Pinch Warning Label	
12	29175	Grommet	
13	30907	Pressure Bulb	
14	39282	Hose Clamp	
15	36985	Hose Clip	
16	21036	Cable Clip	
17	203478	Tubing	Models AWN432SP113CW04, DWN432SP113CW04, LWN432SP113CW04, YWN432SP113CW04 and ZWN432SP113CW04
	202700	Tubing	All other models

# Drain Hose and Siphon Break Kit



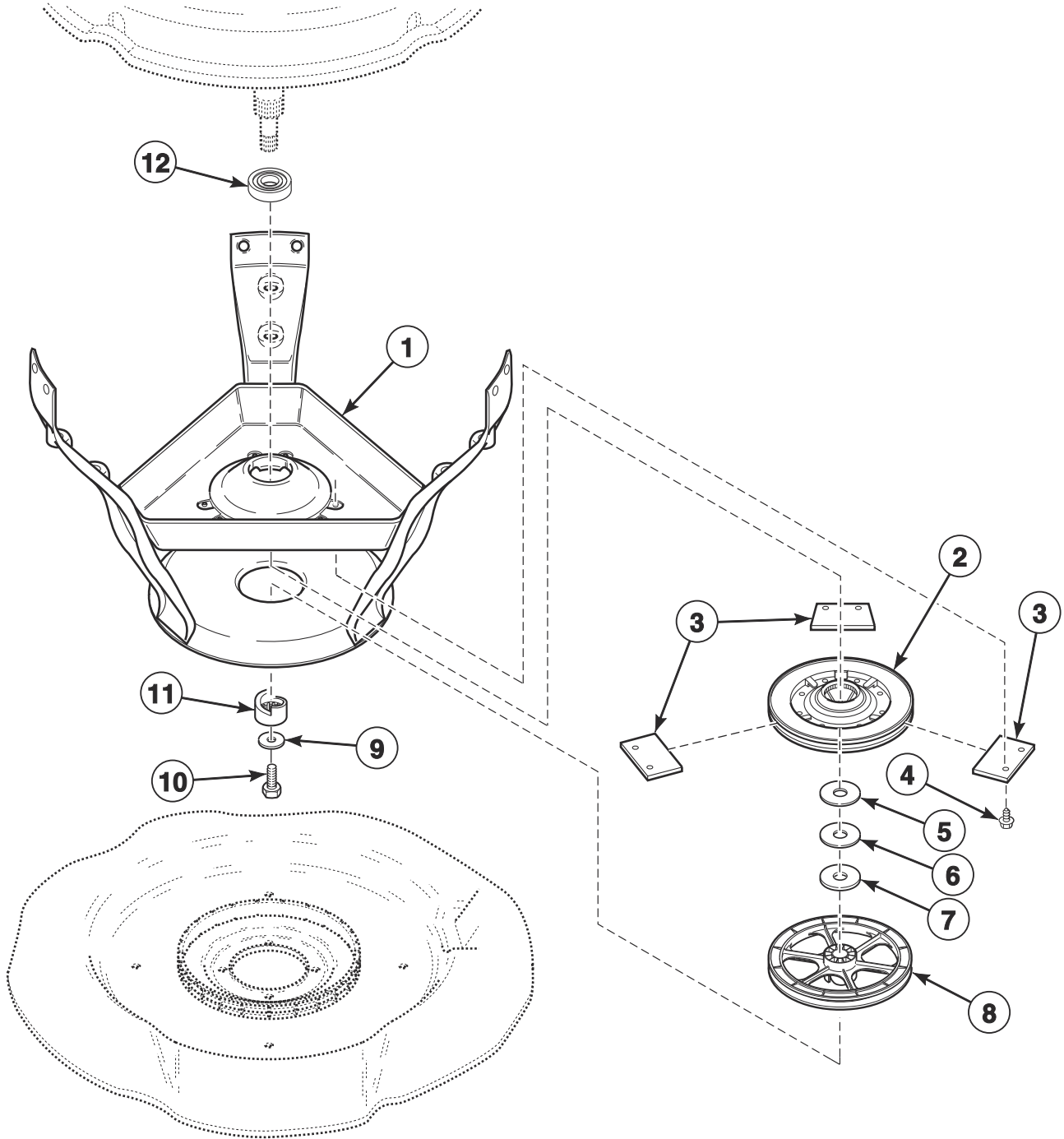
W329P\_203418



## Drain Hose and Siphon Break Kit

REF	PART NO.	DESCRIPTION	COMMENTS
	451P3	Drain Extension Kit	
1	562P3	Siphon Break Kit	Siphon break kit MUST be installed in drain hose if drain receptacle is lower than cabinet top of washer
2	33489	Standpipe Strap	
3	33615	Drain Hose Sleeve	
4	36878	Standpipe Adapter	Models AWN432SP113CW04, AWN432SP113FW28, AWNE82SP113CW01, DWN432SP113CW01, DWN432SP113CW04, LWN432PP113FW28, LWN432SP113CW04, LWN432SP113FW28, LWN432SP115CW01, LWNE22SP115CW01, LWNE52SP113CW01, PWNE12PP115CG01, PWNE12PP115CW01, PWNE32PP113CG01, YWN432SP113CW04, YWNE22PP115CW01, YWNE22SP115CW01, YWNE52PP113CW01, ZWN432SP113CW01, ZWN432SP113CW04, ZWN432SP113FW28 and ZWNE82SP113CW01
5	32219	Strain Relief	
6	39893	Drain Hose	Models AWN432SP113CW04, AWN432SP113FW28, AWNE82SP113CW01, AWNE82SP113FW01, AWNE92SP113FW01, AWNE92SP123DW01, AWNE92SP543DW01, DWN432SP113CW01, DWN432SP113CW04, LWN432PP113FW28, LWN432SP113CW04, LWN432SP113FW28, LWN432SP115CW01, LWNE22SP115CW01, LWNE52PP113ZW01, LWNE52SP113CW01, LWNE52SP113FQ01, LWNE52SP113FW01, LWNE52SP113ZW01, LWNE52SP543RW01, LWNE52SP543ZW01, LWNE52WP113FW01, LWNE52WP543RW01, LWNE52WP543ZW01, MWNE52SP543RW01, PWNE12PP115CG01, PWNE12PP115CW01, PWNE32PP113CG01, YWN432SP113CW04, YWNE22PP115CW01, YWNE22SP115CW01, YWNE52PP113CW01, YWNE52SP543RW01, YWNE52SP543ZW01, ZWN432SP113CW01, ZWN432SP113CW04, ZWN432SP113FW28, ZWNE82SP113CW01, ZWNE82SP113FW01 and ZWNE92SP113FW01
	39894	Drain Hose	All other models
7	38732	Hose Stand	
8	F200204	Hose Clamp	
9	38351	Tub-to-Pump Hose	
10	36014	Retainer Clip	

# Weldment and Bearing Assembly, Brake and Pulley



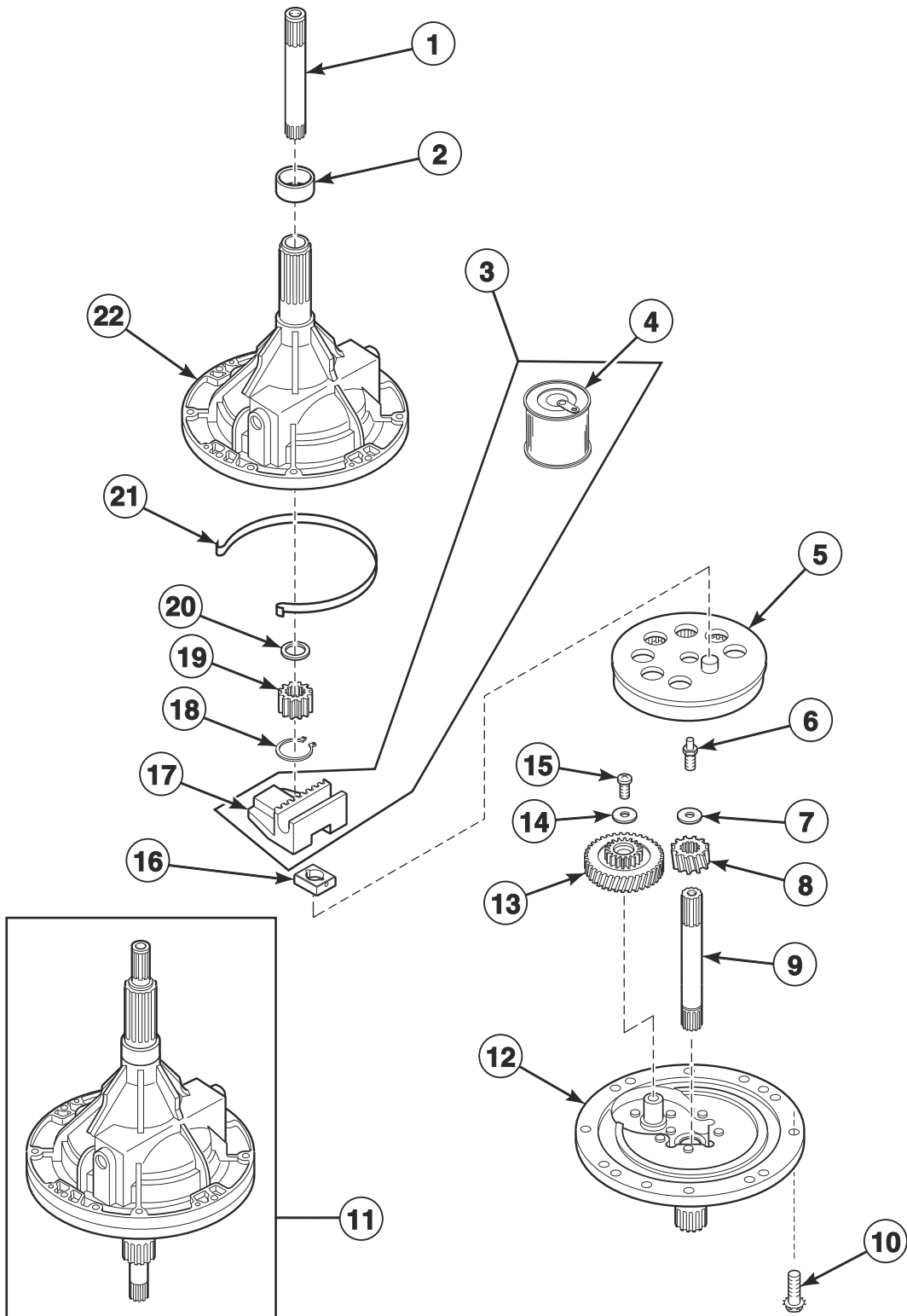
TLW1841P\_203418

## Weldment and Bearing Assembly, Brake and Pulley

REF	PART NO.	DESCRIPTION	COMMENTS
1	39253	Weldment and Bearing Assembly	
2	38505P	Brake Kit	
3	735P3	Brake Pad Kit	Includes 3 pads and 6 of item 4
	26594P	Silicone Grease	Apply small amount to each new brake pad
4	39739	Screw	
5	35535	Washer	Thin
6	27015	Washer	Thick
7	35535	Washer	For machines experiencing squeaking during agitation; Through Serial Nos. beginning 1612
	203950	Washer	Starting Serial Nos. beginning 1701
	26594P	Silicone Grease	Apply small amount to washer
8	202795	Pulley	
9	26509	Washer	
10	27220	Screw	
11	38008	Helix	
12	28944RP	Lower Bearing	

# Transmission Assembly (Drawing 1 of 2)

All Models Except AWN432SP113CW04, AWNE82SP113CW01, ZWN432SP113CW01, ZWN432SP113CW04 and ZWNE82SP113CW01



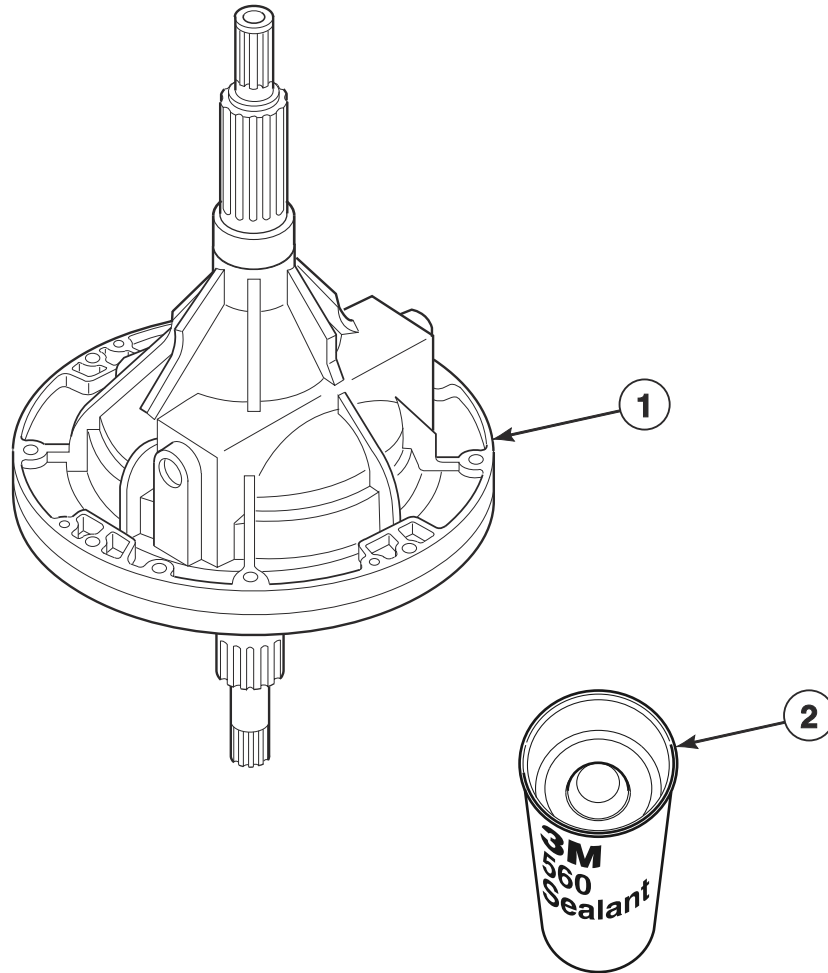
TLW1720P\_203418

## Transmission Assembly (Drawing 1 of 2)

REF	PART NO.	DESCRIPTION	COMMENTS
	27604P	Anti-Seize Compound	Apply to smooth area of both the upper and lower transmission tube that will be contacting the upper and lower bearings and apply to spline area of upper and lower transmission tube that will be contacting the washtub
	37577P	Transmission Sealant	Use between transmission case and cover
<b>1</b>	36570P	Output Shaft	
<b>2</b>	201212	Hub Spacer	
<b>3</b>	RB150004	Transmission Rebuild Kit	Includes items 4, 17 and 37577P Transmission Sealant
<b>4</b>	27243P	Transmission Oil	1 fill
<b>5</b>	26577	Gear and Stud Assembly	
<b>6</b>	201773	Screw	
<b>7</b>	26509	Washer	
<b>8</b>	37405	Drive Pinion	
<b>9</b>	38268P	Input Shaft	
<b>10</b>	32814	Screw	
<b>11</b>	38165P	Transmission Assembly	
<b>12</b>	37471	Transmission Cover Assembly	
<b>13</b>	37404P	Reduction Gear	
<b>14</b>	29260	Washer	
<b>15</b>	29273	Screw	
<b>16</b>	26493	Slide	
<b>17</b>	201664	Rack	
<b>18</b>	27197	Retaining Ring	
<b>19</b>	27003	Agitator Pinion	
<b>20</b>	35092	Washer	
<b>21</b>	38864	Gear Sleeve	
<b>22</b>	33223P	Transmission Case Assembly	

# Transmission Assembly (Drawing 2 of 2)

Models AWN432SP113CW04, AWNE82SP113CW01, ZWN432SP113CW01,  
ZWN432SP113CW04 and ZWNE82SP113CW01

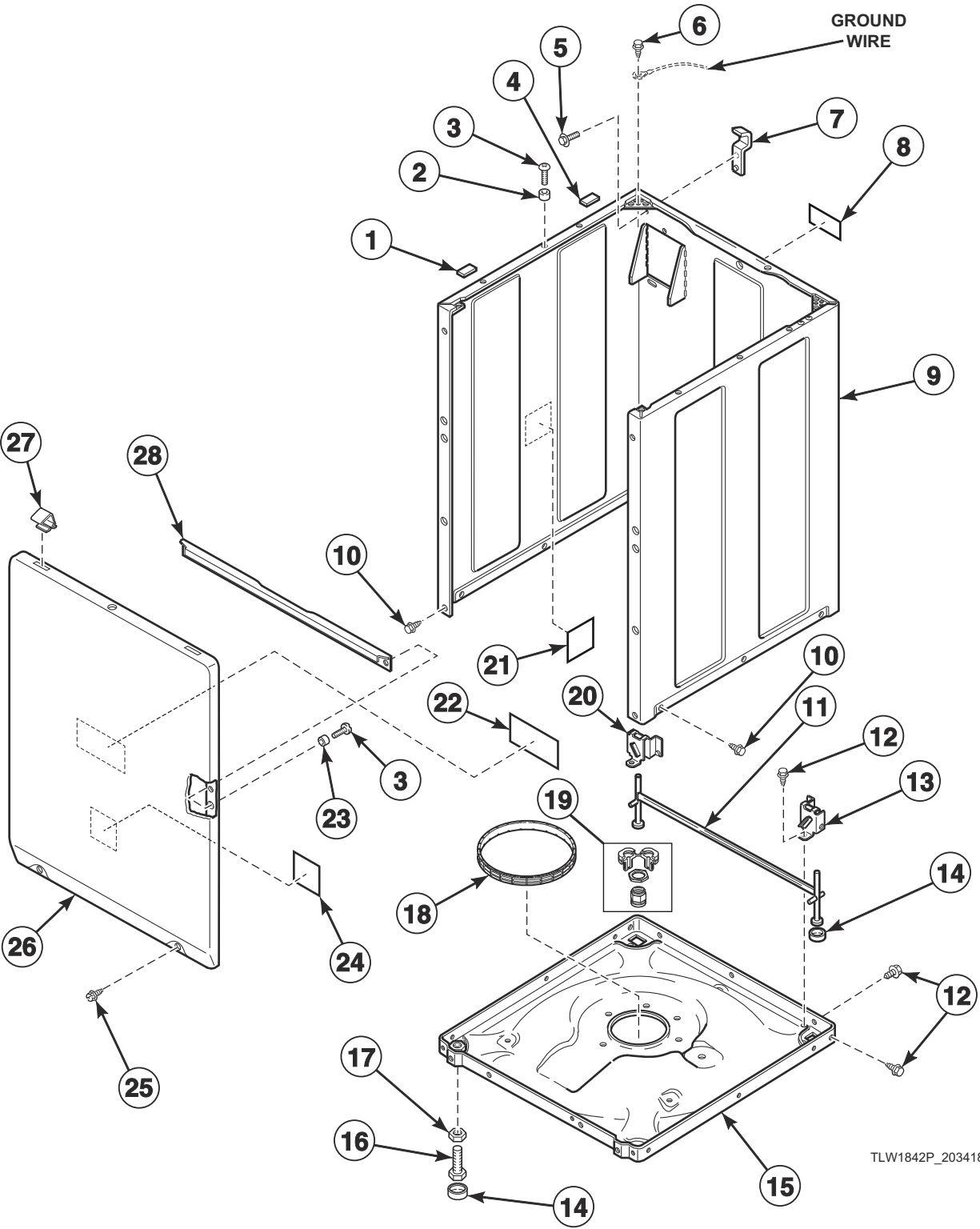


TLW1838P\_203418

## Transmission Assembly (Drawing 2 of 2)

REF	PART NO.	DESCRIPTION	COMMENTS
	27604P	Anti-Seize Compound	Apply to smooth area of both the upper and lower transmission tube that will be contacting the upper and lower bearings and apply to spline area of upper and lower transmission tube that will be contacting the washtub
1	203768	Transmission Assembly	Includes item 2 and Hub and Lip Seal Kit; Lip seal units only
2	200996P	Sealant	

# Front Panel, Base Assembly and Cabinet Kit



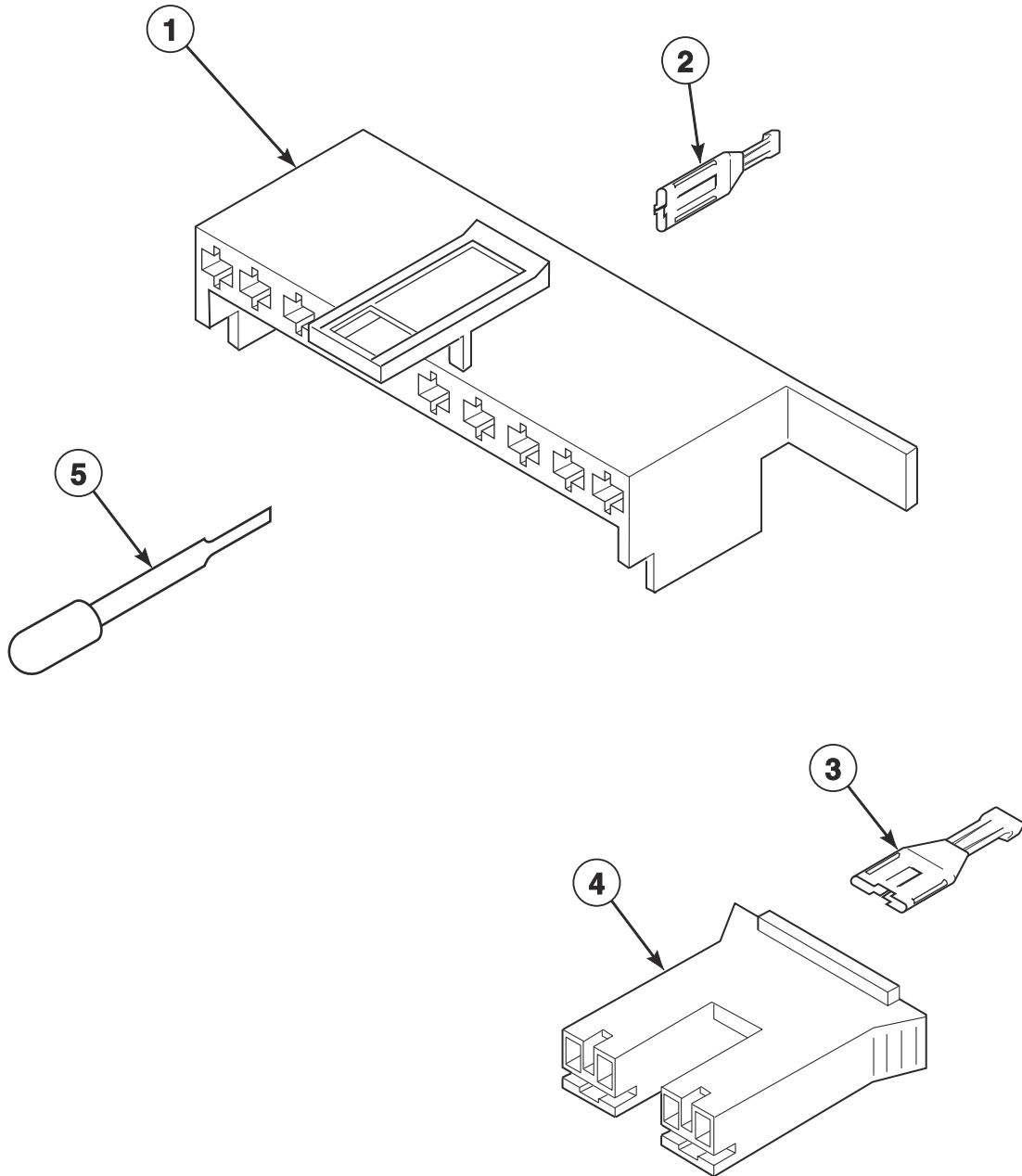
TLW1842P\_203418



## Front Panel, Base Assembly and Cabinet Kit

REF	PART NO.	DESCRIPTION	COMMENTS
	122P4P	Porcelain Touch-Up Paint	White
	370P4P	Porcelain Touch-Up Paint	Bisque
	806436P	Paint	Dark gray
<b>1</b>	56128	Bumper Pad	
<b>2</b>	56079	Panel Locator	
<b>3</b>	39733	Screw	
<b>4</b>	36226	Bumper Pad	
<b>5</b>	51780	Screw	
<b>6</b>	52909	Screw	
<b>7</b>	27103	Hold-Down Lug Hinge	
<b>8</b>	803260	Warning Label	
<b>9</b>	38612WP	Service Cabinet Kit	White
	38612QP	Service Cabinet Kit	Bisque
	38612DG	Service Cabinet Kit	Dark gray
<b>10</b>	27196	Screw	
<b>11</b>	34443	Leg and Stabilizer Assembly	
<b>12</b>	35148	Screw	
<b>13</b>	36036	Bracket	Right
<b>14</b>	34318	Rubber Foot	
<b>15</b>	39788	Base Assembly	
<b>16</b>	34319	Leveling Leg	
<b>17</b>	21899	Nut	
<b>18</b>	37937	Friction Ring	
<b>19</b>	566P3	Adjustable Leg Extension Kit	
<b>20</b>	36037	Bracket	Left
<b>21</b>	39480	Foam Pad	
<b>22</b>	36204	Front Panel Pad	
<b>23</b>	28102	Panel Locator	
<b>24</b>	203484	Foam Pad	
<b>25</b>	38272	Screw	
<b>26</b>	38335WP	Front Panel	White
	38335QP	Front Panel	Bisque
	38335DG	Front Panel	Dark gray
<b>27</b>	35865	Hold-Down Clip	
<b>28</b>	35097	Front Panel Brace	

# Mixing Valve and Motor Connection Blocks, Terminals and Extractor Tool

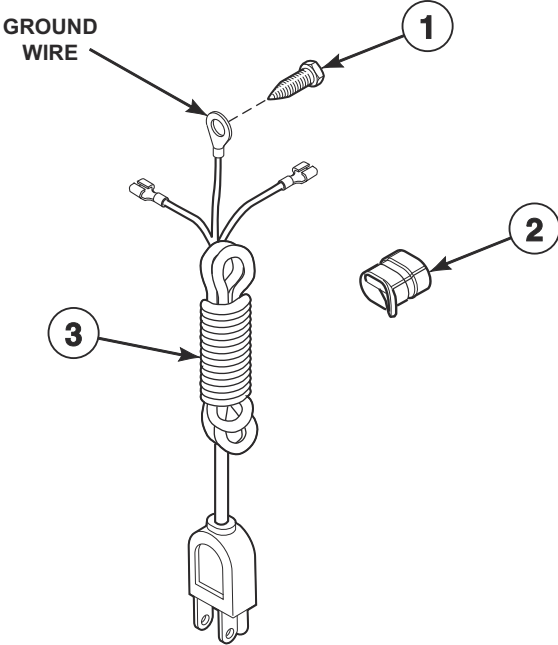


W134PZ3A\_203418

## Mixing Valve and Motor Connection Blocks, Terminals and Extractor Tool

REF	PART NO.	DESCRIPTION	COMMENTS
1	34677	10 Circuit Plug	Motor
2	00188	Female Terminal	For 1 or 2 wire application
3	00121	Female Spade Terminal	1/4 inch
4	34675	Mixing Valve Plug	Natural
	34676	Mixing Valve Plug	Red
5	283P4	Terminal Extractor Tool	

# Power Cord

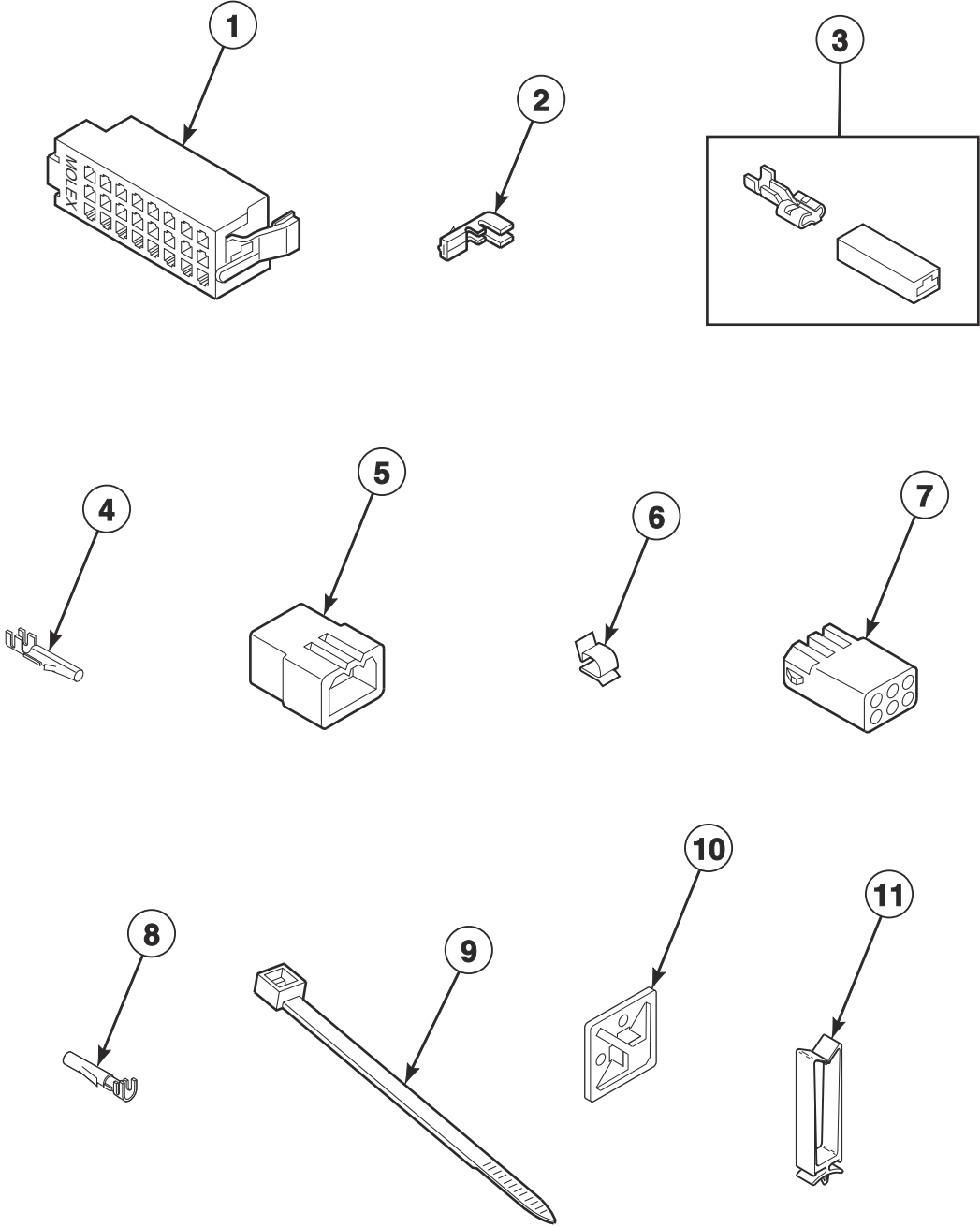


TLW1526P\_203418

# Power Cord

REF	PART NO.	DESCRIPTION	COMMENTS
	39922	Cable Connection Box	Model AWNE92SP303NW36; Mounts to hood back panel
1	52909	Screw	
2	38384	Strain Relief	
3	203119	Power Cord Assembly	Models AWNE92SP303XW01, AWNE92SP303XW26, AWNE92SP303XW34, FWNE52SP303WW01, LWNE52SP303EW01, LWNE52SP303WW01, LWNE52SP303WW37, LWNE52SP543RW01, LWNE52WP543RW01, MWNE52SP303WW37, MWNE52SP543RW01, YWNE52SP303EW01, YWNE52SP303WW01 and YWNE52SP543RW01
	203122	Lead-In Cord	Models AWNE82SP113FW01, AWNE92SP113FW01, LWNE52SP113FQ01, LWNE52SP113FW01, LWNE52WP113FW01, ZWNE82SP113FW01 and ZWNE92SP113FW01
	203121	Lead-In Cord	Models FWNE52SP303NW26, LWNE52SP303NW26, LWNE52SP303UW01, LWNE52SP303VW26, YWNE52SP303NW26 and YWNE52SP303UW01
	203107	Lead-In Cord	Model LWNE52SP303BW01
	203208	Lead-In Cord	Models FWNE52SP303ZW01, FWNE52SP303ZW14, LWNE52PP113ZW01, LWNE52SP103ZW01, LWNE52SP113ZW01, LWNE52SP303ZW01, LWNE52SP543ZW01, LWNE52WP303ZW01, LWNE52WP543ZW01 and YWNE52SP543ZW01
	203108	Lead-In Cord	Models LWNE52PP303SW01 and LWNE52SP303SW01
	203120	Lead-In Cord	Models LWNE52SP303AW01, PWNE32PP303AG01 and PWNE32SP303AG01
	202777	Lead-In Cord	Models AWN432SP113CW04, AWNE82SP113CW01, DWN432SP113CW01, DWN432SP113CW04, LWN432SP113CW04, LWN432SP115CW01, LWNE22SP115CW01, LWNE52SP103ZW01, LWNE52SP113CW01, PWNE12PP115CG01, PWNE12PP115CW01, PWNE32PP113CG01, YWN432SP113CW04, YWNE22PP115CW01, YWNE22SP115CW01, YWNE52PP113CW01, ZWN432SP113CW01, ZWN432SP113CW04 and ZWNE82SP113CW01
	203106	Lead-In Cord Assembly	Models AWNE92SP123DW01 and AWNE92SP543DW01
	203454	Lead-In Cord	Models AWN432SP113FW28, LWN432PP113FW28, LWN432SP113FW28 and ZWN432SP113FW28
	203841	Lead-In Cord	Model LWNE52SP303NW35
	203830	Lead-In Cord	Model AWN312SP303LW22
	39929	Power Cord Assembly	Model AWNE92SP303NW36
	203266	Lead-In Cord	Model AWNE92SP303NW29
	203315	Lead-In Cord	Model LWNE52SP303LW01

# Terminals and Clips

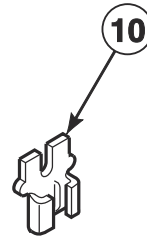
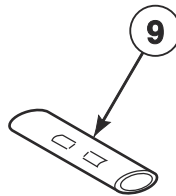
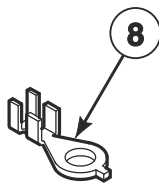
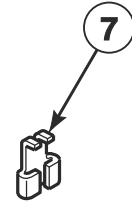
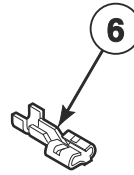
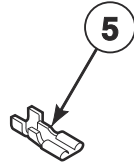
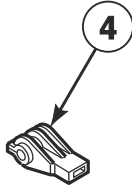
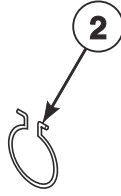
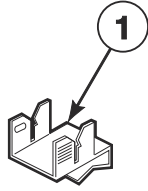


TLW1792P\_203418

## Terminals and Clips

REF	PART NO.	DESCRIPTION	COMMENTS
1	32746	24 Position Housing	Right; Black
	34123	24 Position Housing	Left; White
2	00188	Female Terminal	Used for 1 or 2 wire application
	00568SG	Terminal	
3	00359	Insulated Female Spade Terminal	
4	00116	Male Pin Terminal	
5	23033	9 Circuit Plug	
	23041	6 Circuit Plug	
	26302	1 Circuit Plug	
6	21036	Cable Clip	
7	26163	9 Circuit Receptacle	
	26301	1 Circuit Receptacle	
	26708	6 Circuit Receptacle	
8	00117	Female Pin Terminal	
	00574SG	Female Pin Terminal	
9	55881	Harness Strap	
10	F140602	Tie Wrap Mounting Clamp	
11	70366201	Wire Clip	0.93 inch wide

# Terminals



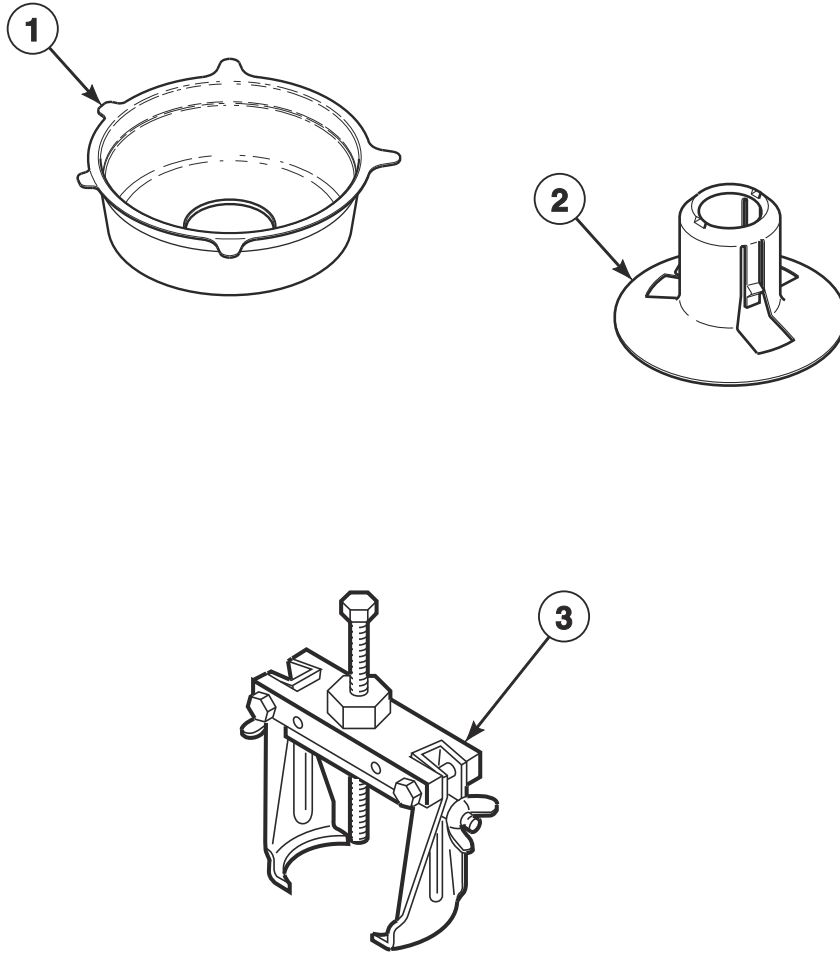
TLW1796P\_203418



# Terminals

REF	PART NO.	DESCRIPTION	COMMENTS
1	00161	Grounding Clip	
	00569SG	Terminal Grounding Clip	
2	51291	Wire Clip	
3	687500	Wire Clip	
4	70210	Insulator	
5	00112	Female Spade Terminal	Small spade
6	00223	Female Spade Terminal	Large spade
	00577	Terminal Tab	
7	00120	Female Flag Terminal	
8	00110	Ring Terminal	Small shank
9	21091	Connector	(2) 1/4 inch male spades
10	F140562	Connector	

# Shipping Materials and Special Tools

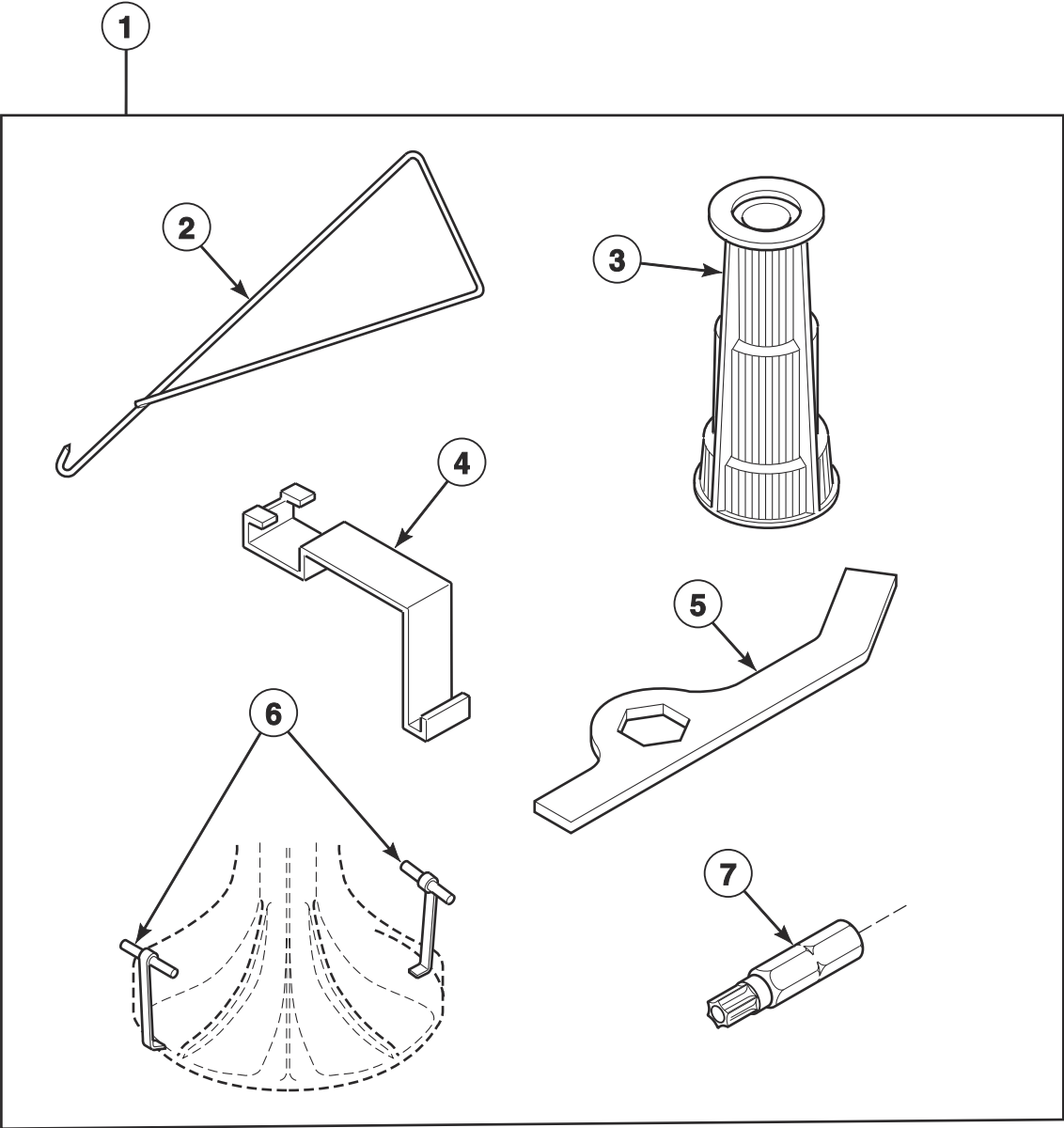


TLW1678P\_203418

## Shipping Materials and Special Tools

REF	PART NO.	DESCRIPTION	COMMENTS
1	200553	Shipping Brace	Install whenever moving washer; Remove before use
2	38149	Shipping Plug	Install before moving washer to prevent tub from damaging cabinet
3	294P4	Agitator Drive Bell Puller	For removal and installation of drive bell to transmission shaft

# Special Tools



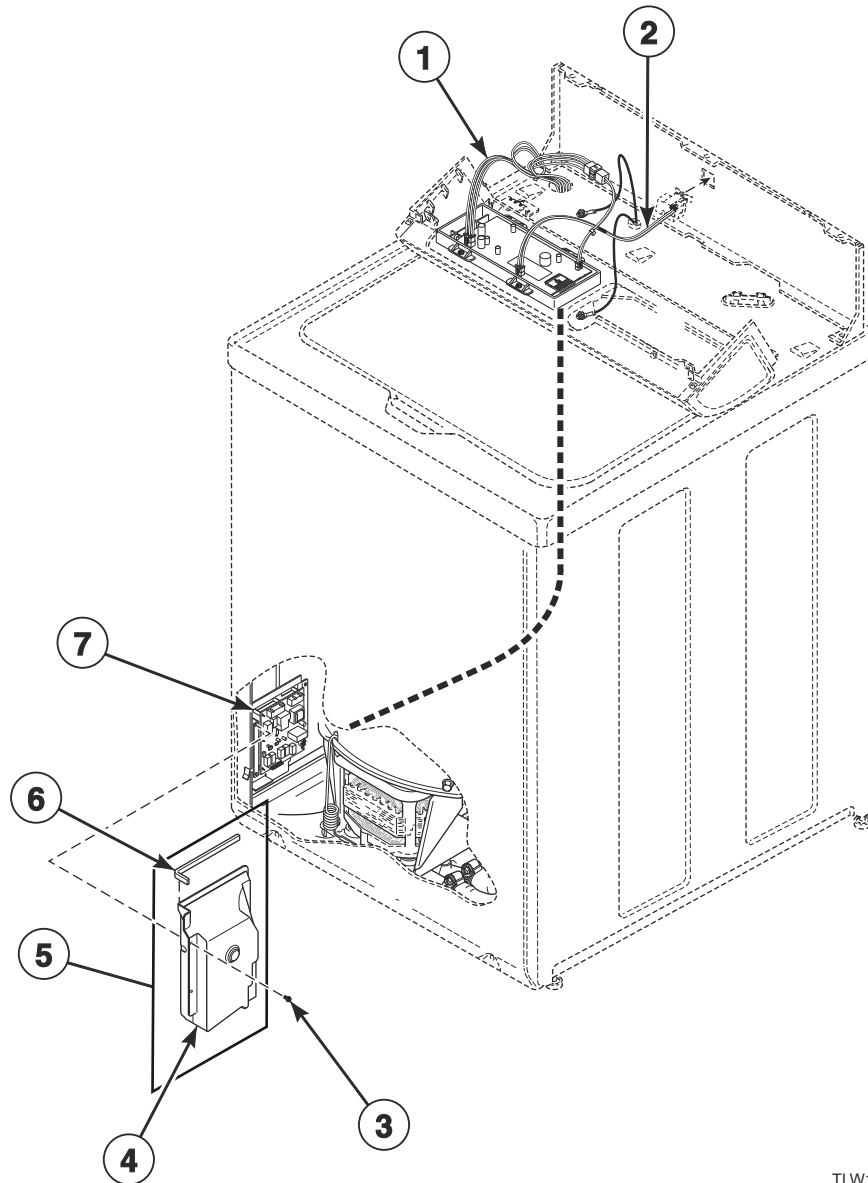
TLW1794P\_203418

## Special Tools

REF	PART NO.	DESCRIPTION	COMMENTS
1	725P3	Tool Kit	Includes items 2-7
2	321P4	Spring Hook Tool	For removal of module springs from outer tub
3	293P4	Drive Bell Seal Tool	For installation of 36425 Bell and Transmission Tube Seal
4	273P4	Tub Cover Removal Tool	Use to install 38359 Tub Cover Gasket in outer tub cover
5	306P4	Hex Wrench Tool	For removal of locknut from washtub hub
6	254P4P	Agitator Hook	Set of 2; Use to remove agitator from drive bell
7	282P4	Torx Bit	T25; For removal and installation of pump attaching screws

# Output Board, Wire Harnesses and Wires

All Models Except AWN312SP303LW22, AWN432SP113CW04, AWN432SP113FW28, DWN432SP113CW01, DWN432SP113CW04, LWN432PP113FW28, LWN432SP113CW04, LWN432SP113FW28, YWN432SP113CW04, ZWN432SP113CW01, ZWN432SP113CW04 and ZWN432SP113FW28



TLW1850P\_203418

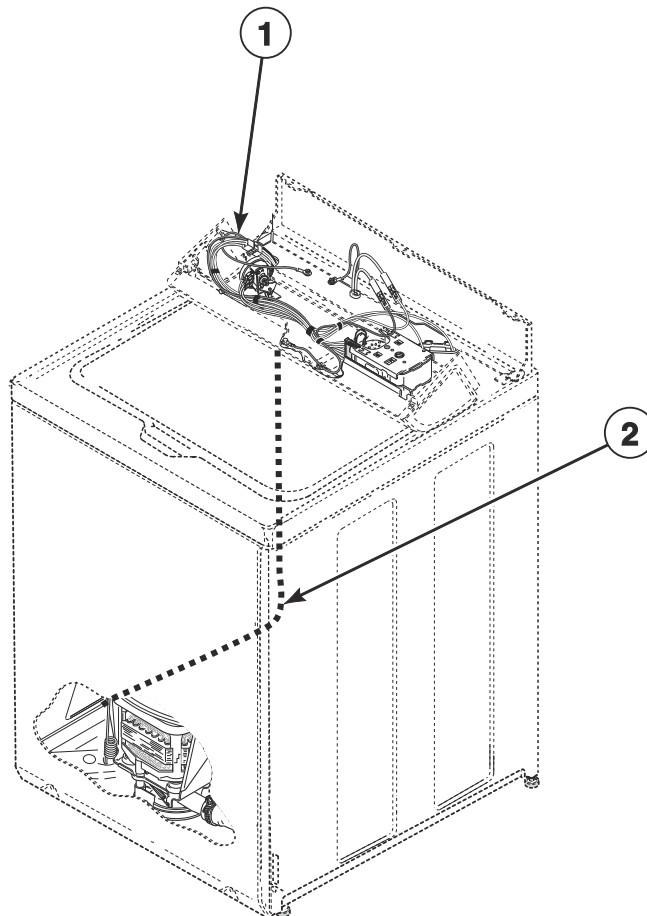
## Output Board, Wire Harnesses and Wires

REF	PART NO.	DESCRIPTION	COMMENTS
	45001	18 Gauge Wire	Black; Order wire by foot and terminals as required
	45380	12 Gauge Wire	Orange; Order wire by foot and terminals as required
1	202684	Control Harness	Models AWNE82SP113CW01, LWNE22SP115CW01, LWNE52PP113ZW01, LWNE52SP103ZW01, LWNE52SP113CW01, LWNE52SP113ZW01, LWNE52SP303NW35, PWNE12PP115CG01, PWNE12PP115CW01, PWNE32PP113CG01, YWNE22PP115CW01, YWNE22SP115CW01, YWNE52PP113CW01 and ZWNE82SP113CW01
	202691	Control Harness	Models AWNE92SP303NW29, AWNE92SP303NW36, AWNE92SP303XW01, AWNE92SP303XW26, AWNE92SP303XW34, FWNE52SP303NW26, FWNE52SP303WW01, FWNE52SP303ZW01, FWNE52SP303ZW14, LWNE52PP303SW01, LWNE52SP303AW01, LWNE52SP303BW01, LWNE52SP303EW01, LWNE52SP303LW01, LWNE52SP303NW26, LWNE52SP303SW01, LWNE52SP303VW26, LWNE52SP303WW01, LWNE52SP303WW37, LWNE52SP303ZW01, LWNE52WP303ZW01, MWNE52SP303WW37, PWNE32PP303AG01, PWNE32SP303AG01, YWNE52SP303NW26 and YWNE52SP303WW01
	203079	Wire Harness Assembly	Models AWNE82SP113FW01, AWNE92SP113FW01, AWNE92SP123DW01, AWNE92SP543DW01, LWNE52SP113FQ01, LWNE52SP113FW01, LWNE52SP543RW01, LWNE52SP543ZW01, LWNE52WP113FW01, LWNE52WP543RW01, LWNE52WP543ZW01, MWNE52SP543RW01, YWNE52SP543RW01, YWNE52SP543ZW01, ZWNE82SP113FW01 and ZWNE92SP113FW01
2	804432	Pressure Sensor Harness	
3	804667	Screw	
4	202939	Output Control Shield	
5	202965	Shield Assembly	Includes items 5 and 7
6	202964	Output Board Cover Gasket	
7	202508P	Output Board Control Assembly	

**NOTE: Individual wires are not available separately. Order complete harness, or order wire by the foot. When applying terminals to wires, it is recommended that the terminals be soldered to the wires.**

## Wire Harnesses and Wires

Models AWN312SP303LW22, AWN432SP113CW04, AWN432SP113FW28, DWN432SP113CW01, DWN432SP113CW04, LWN432PP113FW28, LWN432SP113CW04, LWN432SP113FW28, LWN432SP115CW01, YWN432SP113CW04, ZWN432SP113CW01, ZWN432SP113CW04 and ZWN432SP113FW28



TLW1533P\_203418



## Wire Harnesses and Wires

REF	PART NO.	DESCRIPTION	COMMENTS
	45001	18 Gauge Wire	Black; Order wire by foot and terminals as required
	45380	12 Gauge Wire	Orange; Order wire by foot and terminals as required
1	203428	Hood Timer Harness	Models AWN432SP113CW04, DWN432SP113CW04, LWN432SP113CW04, YWN432SP113CW04 and ZWN432SP113CW04
	38651	Hood Wire Harness Assembly	Model AWN312SP303LW22
	204154	Hood Timer Harness	Model LWN432SP115CW01
	203035	Hood Timer Harness	Models AWN432SP113FW28, DWN432SP113CW01, LWN432PP113FW28, LWN432SP113FW28, ZWN432SP113CW01 and ZWN432SP113FW28
2	201466	Base Wire Harness Assembly	Model AWN312SP303LW22
	38661P	Wire Harness Assembly	All other models

**NOTE: Individual wires are not available separately. Order complete harness, or order wire by the foot. When applying terminals to wires, it is recommended that the terminals be soldered to the wires.**



# Parts Index

## A

Adjustable Leg Extension Kit 566P3 .....	47
Agitate and Spin Belt 200923 .....	27
38174 .....	29
Agitator 33174 .....	35
Agitator Drive Bell Puller 294P4 .....	57
Agitator Hook 254P4P .....	59
Agitator Pinion 27003 .....	43
Anti-Seize Compound 27604P .....	43, 45

## B

Balance Ring Assembly 39837 .....	35
Barbed Tee 203464 .....	15
Base Assembly 39788 .....	47
Base Wire Harness Assembly 201466 .....	63
Bell and Transmission Tube Seal 36425 .....	35
Bell Plug 36511 .....	35
Belt and Pump Kit RB150003 .....	29
Bleach Dispenser 38382 .....	13, 17
Bolt 32184 .....	13
Bracket 36036 .....	47
36037 .....	47
Brake Kit 38505P .....	41
Brake Pad Kit 735P3 .....	41
Bumper 21685 .....	13, 15
Bumper Pad 36226 .....	47
56128 .....	47
Bushing 33446 .....	13, 15

## C

Cable Clip 21036 .....	37, 53
---------------------------	--------

Cable Connection Box 39922 .....	51
Cable Tie 804724 .....	19
Capacitor 203140 .....	33
203141 .....	33
37377 .....	33
Capacitor and Clamp Kit 39259P .....	33
Capacitor Clamp 37535 .....	31
Connector F140562 .....	55
21091 .....	55
Control Assembly 202769P .....	9
202770P .....	9
202903P .....	9
202904P .....	9
202905P .....	9
202906P .....	9
202907P .....	9
203087P .....	9
203146P .....	9
203581 .....	9
203702P .....	9
204025 .....	9
204288 .....	9
204289 .....	9
204293 .....	9
Control Harness 202684 .....	61
202691 .....	61
Control Knob Assembly 803119P .....	5
Control Overlay 202750 .....	9
202751 .....	9
Control Panel 203671W .....	5
Control Support Panel 202942 .....	7
38171 .....	5
38565 .....	5
Counterweight Assembly 38769 .....	37
Cover Plate 37828P .....	13

## D

Domed Label 204166 .....	7
Door Lock Spacer 202934 .....	13
Drain Extension Kit 451P3 .....	39
Drain Hose 39893 .....	39
39894 .....	39

N/A items do not appear in index.

Drain Hose Sleeve 33615 .....	39
Drive Bell and Seal Kit 39508P .....	35
Drive Bell Seal Tool 293P4 .....	59
Drive Pinion 37405 .....	43

## E

Electrical Shock Label F8211201 .....	13, 17
End Panel	
D504006P .....	7
D504007P .....	7
D504008WP .....	5, 7
D504009WP .....	5, 7

## F

Fabric Softener Dispenser Assembly 36542 .....	35
Female Flag Terminal 00120 .....	55
Female Pin Terminal 00117 .....	53
00574SG .....	53
Female Spade Terminal 00112 .....	55
00121 .....	49
00223 .....	55
Female Terminal 00188 .....	49, 53
Fill Hose	
203718 .....	25
203719 .....	25
203720 .....	25
203750 .....	25
204102 .....	25
204103 .....	25
Filter Harness 202756 .....	19
Flex Vane Agitator 36507 .....	35
Foam Pad 203484 .....	47
39480 .....	47
Friction Ring 37937 .....	47
Front Panel	
38335DG .....	47
38335QP .....	47
38335WP .....	47
Front Panel Brace 35097 .....	47
Front Panel Pad 36204 .....	47

## G

Gear and Stud Assembly 26577 .....	43
Gear Sleeve 38864 .....	43
Graphic Panel	
202797P .....	7
203151 .....	7
203165 .....	7
203166 .....	7
203167 .....	7
203523 .....	7
203606W .....	5
203672W .....	5
203673W .....	5
203678W .....	5
203713W .....	5
203822W .....	5
203826W .....	5
Grommet	
29175 .....	37
80262 .....	13, 17, 19
Grounding Clip 00161 .....	5, 55

## H

Harness Strap 55881 .....	53
Helix 38008 .....	41
Hex Wrench Tool 306P4 .....	59
Hinge Stop Clip 36519 .....	17
Hold-Down Clip 35358 .....	5, 7, 13, 17
35865 .....	47
Hold-Down Lug Hinge 27103 .....	47
Hood Back Panel	
202549 .....	15
203110 .....	13, 15
204259 .....	15
37782 .....	15
39921 .....	15
Hood Timer Harness 203035 .....	63
203428 .....	63
204154 .....	63
Hood Wire Harness Assembly 38651 .....	63
Hose Clamp F200204 .....	39
36801 .....	21
39282 .....	37
800803 .....	21
Hose Clip 36985 .....	37
Hose Stand 38732 .....	39

N/A items do not appear in index.

Housing, 24 Position	
32746 .....	53
34123 .....	53
Hub and Lip Seal Kit	
766P3A .....	35, 37
Hub Spacer	
201212 .....	43

## I

Idler Lever	
38011 .....	27, 29
Idler Lever and Belt Kit	
202972 .....	27
Idler Lever Assembly	
202378 .....	27, 29
Idler Lever Kit	
959P3 .....	29
Idler Lever Spring	
201189 .....	27
202032 .....	29
Idler Pulley	
38225P .....	27, 29
Idler Shaft	
210186 .....	27, 29
Inlet Cover	
202894 .....	17
Inlet Deflector	
202900 .....	17
Input Shaft	
38268P .....	43
Insulated Female Spade Terminal	
00359 .....	53
Insulator	
70210 .....	55
Isolator Assembly	
204062 .....	31
Isolator Post	
38325 .....	31

## J

Junction Box	
203068 .....	19

## K

Knob Assembly	
203323 .....	5
36701W .....	5
803118P .....	5

## L

Lead-In Cord	
202777 .....	51
203107 .....	51
203108 .....	51
203120 .....	51

203121 .....	51
203122 .....	51
203208 .....	51
203266 .....	51
203315 .....	51
203454 .....	51
203830 .....	51
203841 .....	51

Lead-In Cord Assembly	
203106 .....	51
Leg and Stabilizer Assembly	
34443 .....	47
Leg Plate	
27926 .....	37
Leg Spring	
201521 .....	37
37575 .....	37
Leveling Leg	
34319 .....	47
Lid	
202896W .....	13
37395DG .....	15
37395QP .....	15
37395WP .....	15
Lid Hinge	
36437 .....	13, 15
36513 .....	13, 15
Lid Lock Catch Assembly	
202930 .....	13
Lid Lock Kit	
202933 .....	13
Lid Lock Wire Harness Assembly	
203389 .....	13
Lid Switch Assembly	
37631 .....	11
Lid Switch Drip Shield	
203136 .....	11
Lid Warning Label	
203045 .....	15
Line Filter	
804864 .....	19
Lower Bearing	
28944RP .....	41

## M

Male Pin Terminal	
00116 .....	53
Male Tab Terminal	
00177 .....	33
Mixing Valve	
202395P .....	23
202396P .....	23
203741 .....	23
203928 .....	23
Mixing Valve Mounting Bracket	
39407 .....	21
Mixing Valve Plug	
34675 .....	49
34676 .....	49
Mixing Valve Screen	
24122 .....	23

N/A items do not appear in index.

Mixing Valve Shield	
202899	21
Motor Assembly	
202544P	31
202960	31
202961	31
202971	31
Motor Drip Shield	
203053	33
Motor Kit	
201433P	31
38034P	31
Motor Mount	
38395	31
Motor Mount Bracket	
200941	31
Motor Shield	
34754	31

## N

Nut	
M400981	11
21899	47
22001	13
28803	27, 29
29220	35
29787	19
35423	31
52566	27, 29

## O

Outer Tub Assembly	
203603P	37
Output Board Control Assembly	
202508P	61
Output Board Cover Gasket	
202964	61
Output Control Shield	
202939	61
Output Shaft	
36570P	43
Overlay	
202628	9
202753	9
202754	9
202755	9
202922	9
203077	9
203541	9
203973	9
204165	9
204167	9
204168	9

## P

Paint	
806436P	47
Panel Locator	
28102	47

N/A items do not appear in index.

56079	47
Pinch Warning Label	
F8615701	37
Plug, 1 Circuit	
26302	53
Plug, 10 Circuit	
34677	49
Plug, 6 Circuit	
23041	53
Plug, 9 Circuit	
23033	53
Porcelain Touch-Up Paint	
122P4P	47
370P4P	47
Power Cord Assembly	
203119	51
39929	51
Pressure Bulb	
30907	37
Pressure Sensor	
203843	13, 15
Pressure Sensor Harness	
804432	61
Pressure Switch	
B12548401	15
201927P	5
202937	5
Pulley	
202795	41
Pump	
201566P	27, 29
Pump Assembly	
201442P	27, 29

## R

Rack	
201664	43
Receptacle, 1 Circuit	
26301	53
Receptacle, 6 Circuit	
26708	53
Receptacle, 9 Circuit	
26163	53
Reduction Gear	
37404P	43
Retainer Clip	
36014	39
Retaining Ring	
23748	27, 29
27197	43
Ring Terminal	
00110	55
Rocker Switch	
38424W	5
Rubber Foot	
34318	47

---

**S**

## Screw

D501086	5, 7, 17
M402574	11
201415	13
201773	43
202623	13
20530	33
23962	5, 7, 11, 13, 15, 17
27196	47
27202	35
27220	41
27229	27, 29
29273	43
31645	33
32814	43
33562	17, 21
34337	13, 15
35148	47
35369	31, 37
36639	31
38272	47
39397	23
39432	35
39566	37
39733	47
39739	41
431287	13, 17
51780	47
52909	13, 17, 33, 47, 51
800258	19
804667	61

## Sealant

200996P	35, 37, 45
---------	------------

## Service Cabinet Kit

38612DG	47
38612QP	47
38612WP	47

## Shield Assembly

202965	61
--------	----

## Shipping Brace

200553	57
--------	----

## Shipping Plug

38149	57
-------	----

## Silicone Grease

26594P	41
--------	----

## Siphon Break Kit

562P3	39
-------	----

## Slide

26493	43
-------	----

## Spline Insert

29728	35
-------	----

## Spring Clip

210202	27, 29
--------	--------

## Spring Hook Tool

321P4	59
-------	----

## Standpipe Adapter

36878	39
-------	----

## Standpipe Strap

33489	39
-------	----

## Strain Relief

32219	39
38384	17, 51

## Switch

33445	11
37830	11

## Switch Assembly

39256	11
-------	----

## Switch Mounting Plate

29676	13
-------	----

---

**T**

## Temperature Switch

35115	5
-------	---

## Terminal

00568SG	53
---------	----

## Terminal Extractor Tool

283P4	49
-------	----

## Terminal Grounding Clip

00569SG	55
---------	----

## Terminal Tab

00577	55
-------	----

## Tie Wrap Mounting Clamp

F140602	53
---------	----

## Timer

202705P	5
203387P	5
37925P	5

## Timer Knob

201501W	5
---------	---

## Timer Knob Assembly

202133	5
--------	---

## Timer Skirt Assembly

36700W	5
803116	5

## Tool Kit

725P3	59
-------	----

## Top

37992DG	17
37992QP	17
37992WP	17

## Top Assembly

202929W	13
202966W	13

## Top Cover

39905DG	7
39905W	5, 7

## Top Shield

203946	13, 17
--------	--------

## Torx Bit

282P4	59
-------	----

## Transmission Assembly

203768	45
38165P	43

## Transmission Case Assembly

33223P	43
--------	----

## Transmission Cover Assembly

37471	43
-------	----

## Transmission Oil

27243P	43
--------	----

## Transmission Rebuild Kit

RB150004	43
----------	----

## Transmission Sealant

37577P	43
--------	----

N/A items do not appear in index.

Tub Assembly 39240P .....	35
Tub Cover Assembly 202888 .....	37
Tub Cover Gasket 38359 .....	37
Tub Cover Removal Tool 273P4 .....	59
Tub Kit 39250P .....	35
Tube 202333 .....	27
Tubing 202700 .....	37
203478 .....	37
203511 .....	15
Tub-to-Pump Hose 38351 .....	39

Wire, 18 Gauge 45001 .....	61, 63
-------------------------------	--------

## V

Valve to Inlet Hose 202884 .....	21
204400 .....	21

## W

Warning Label D500316 .....	17
803260 .....	47
Warning Sticker 36592 .....	13
Washer D504082 .....	27, 29
20290 .....	23, 25
203950 .....	41
26509 .....	41, 43
27015 .....	41
28094 .....	35
29260 .....	43
35092 .....	43
35535 .....	41
37772 .....	31
39249 .....	37
52549 .....	27, 29
802254 .....	25
803615 .....	25
81392 .....	27, 29
Washtub Gasket 39122 .....	35
Washtub Kit 719P3 .....	35
Weldment and Bearing Assembly 39253 .....	41
Wire Clip 51291 .....	55
687500 .....	55
70366201 .....	53
Wire Harness Assembly 203079 .....	61
38661P .....	63
Wire, 12 Gauge 45380 .....	61, 63

N/A items do not appear in index.