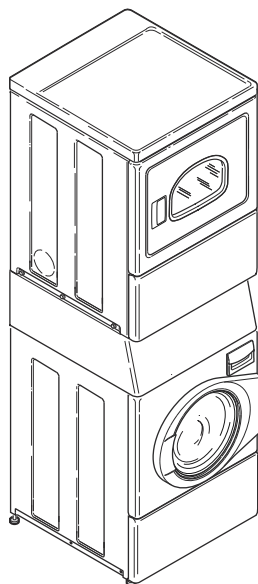


Homestyle Stack Washer/Dryers

Refer to Page 5 for Model Numbers



SWD456C_806105

Table of Contents

Title	Page
Parts Ordering Information.....	3
Serial Plate Location	3
Model Identification	5
Control Cabinet	6
Control Cabinet Line Filter (Drawing 1 of 2).....	8
Control Cabinet Line Filter (Drawing 2 of 2).....	10
Controls.....	12
Overlay.....	14
Control Cabinet and Controls.....	16
Electrical Access Panel, Filters and Terminal Block	18
Door Assembly and Door Seal.....	20
Front Panel	22
Front Panel Assembly	24
Dispenser Assembly	26
Mixing Valve and Valve-to-Dispenser Hose (Drawing 1 of 2).....	28
Mixing Valve and Valve-to-Dispenser Hose (Drawing 2 of 2).....	30
Fill Hose.....	32
Outer Tub, Front and Clamp Ring.....	34
Inner Basket, Trunnion, Bearing Housing and Pulley	36
Motor and Belt.....	38
Drain Hose and Valve	40
Drain Hose and Pump (Drawing 1 of 2).....	42
Drain Hose and Pump (Drawing 2 of 2).....	44
Base, Side Panels and Rear Panel.....	46
Washer Junction Box	48
Special Tools	50
Washer Lead-In Cord, Wire Ties and Harness Clips	52
Dryer Door Without Window	54
Dryer Door With Window (Drawing 1 of 2).....	56
Dryer Door With Window (Drawing 2 of 2).....	58
Dryer Door With Window - Through Serial Nos. Beginning 1707	60
Dryer Door With Window - Starting Serial Nos. Beginning 1707	62
Access Panel, Front Panel and Seal (Drawing 1 of 5).....	64
Access Panel, Front Panel and Seal (Drawing 2 of 5).....	66
Access Panel, Front Panel and Seal (Drawing 3 of 5).....	68
Access Panel, Front Panel and Seal (Drawing 4 of 5).....	70
Access Panel, Front Panel and Seal (Drawing 5 of 5).....	72
Blower Housing and Shields (Drawing 1 of 2)	74
Blower Housing and Shields (Drawing 2 of 2)	76
Motor, Exhaust Fan and Belt (Drawing 1 of 2).....	78
Motor, Exhaust Fan and Belt (Drawing 2 of 2).....	80

© Copyright 2019, Alliance Laundry Systems LLC

All rights reserved. No part of the contents of this book may be reproduced or transmitted in any form or by any means without the expressed written consent of the publisher.

Idler Assembly	82
Front Bulkhead, Felt Seal and Cylinder	84
Cylinder Light (Drawing 1 of 2)	86
Cylinder Light (Drawing 2 of 2)	88
Air Duct (Drawing 1 of 3).....	90
Air Duct (Drawing 2 of 3).....	92
Air Duct (Drawing 3 of 3).....	94
Rear Bulkhead, Felt Seal, Cylinder Roller and Terminal Block.....	96
Heater Duct and Element Assembly	98
Heater Kit Assembly	100
Heater Duct Assembly	102
Gas Valve, Igniter and Gas Conversion Kits.....	104
Gas Valve	106
Burner Orifice Spuds - For Higher Elevations.....	108
Dryer Cabinet, Exhaust Duct and Base (Drawing 1 of 2).....	110
Dryer Cabinet, Exhaust Duct and Base (Drawing 2 of 2).....	112
Ignition Control Module	114
Dryer Lead-In Cord	116
Dryer Junction Box (Drawing 1 of 3)	118
Dryer Junction Box (Drawing 2 of 3)	120
Dryer Junction Box (Drawing 3 of 3)	122
Dryer Labels.....	124
Washer Labels	126
Shipping Materials	128
Wire Harnesses and Wires (Drawing 1 of 2).....	130
Wire Harnesses and Wires (Drawing 2 of 2).....	132
Parts Index.....	135

Parts Ordering Information

If literature or replacement parts are required, contact the source from whom the machine was purchased or contact Alliance Laundry Systems at (920) 748-3950 for the name and address of the nearest authorized parts distributor.

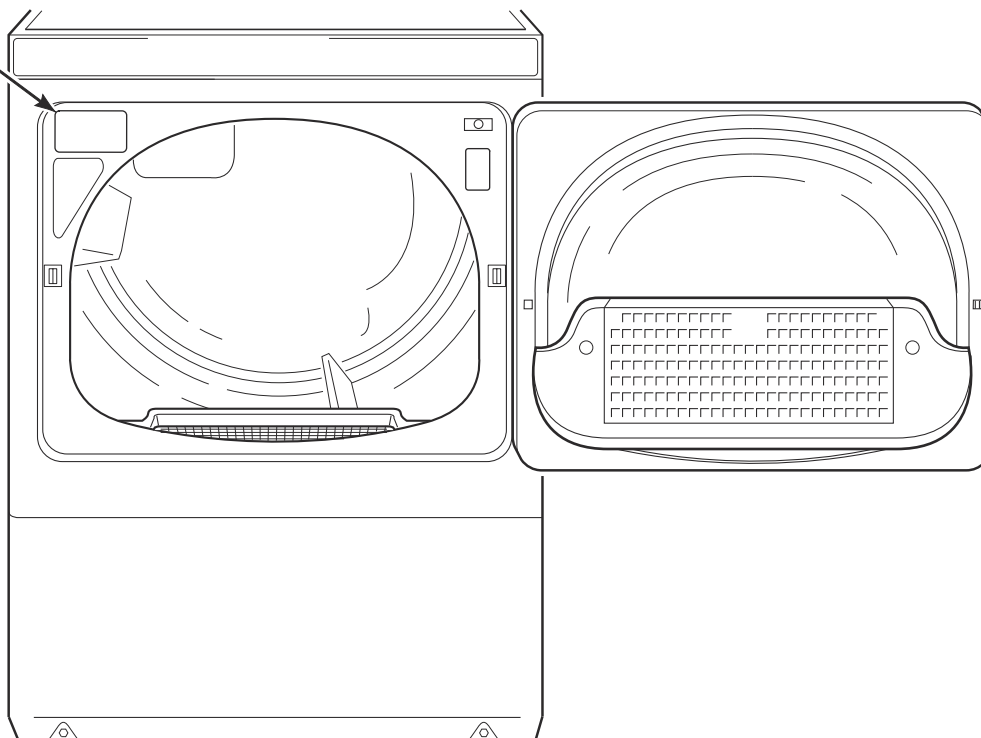
For technical assistance, call the number listed below:

(920) 748-3121 Ripon, Wisconsin

Serial Plate Location

When calling or writing about your product, be sure to mention model and serial numbers. Model and serial numbers are located on serial plate(s) as shown.

SERIAL PLATE



DRY2283P_806105

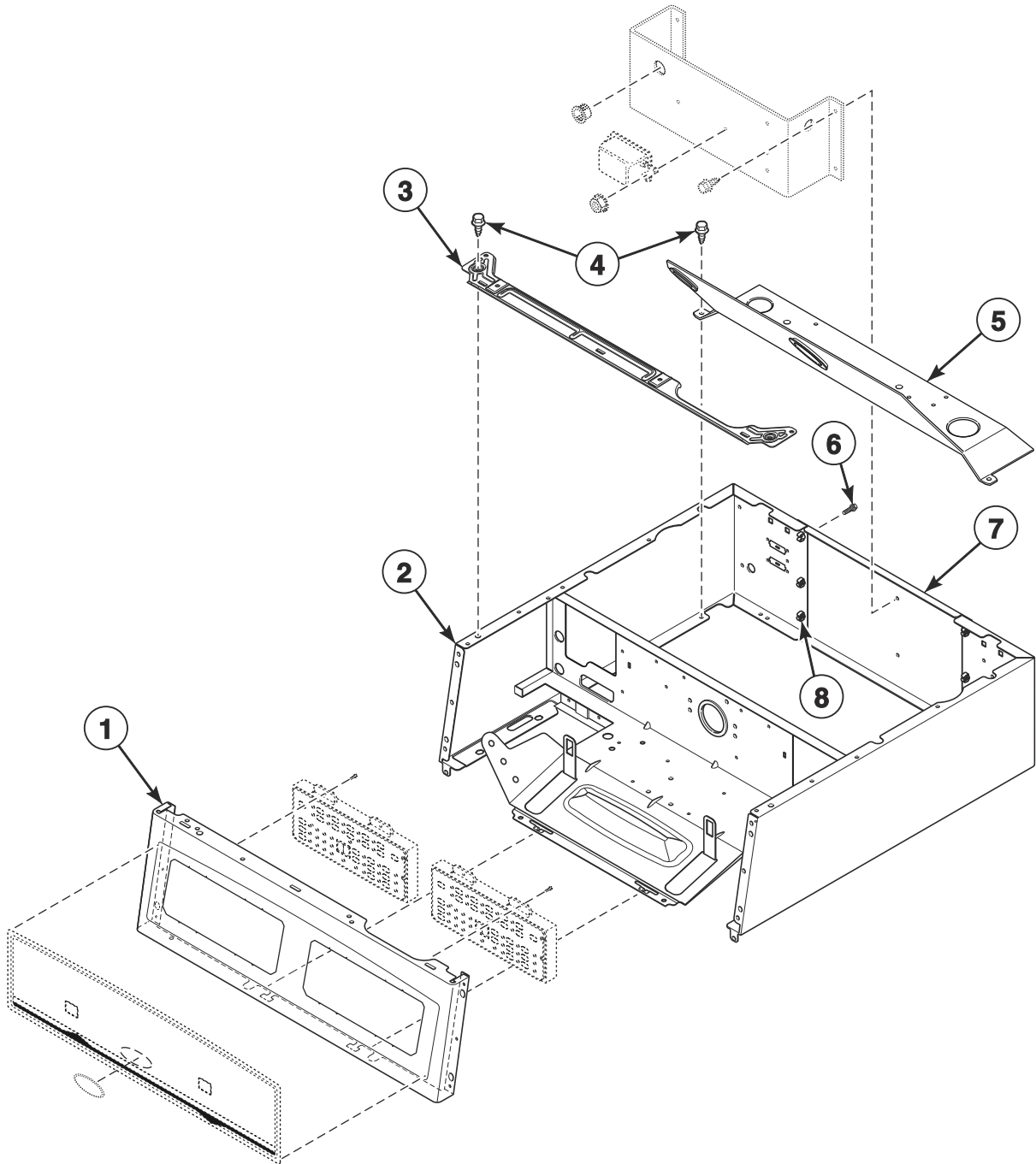
Model Identification

Information in this manual is applicable to these washer/dryer models:

ATEE9AGP435AW01	LTEA5FSP153TW01	PTEE3FSP173TG01
ATEE9ASG453NW36	LTEA5FSP153TW04	PTEE3FSP175TG01
ATEE9ASG455NW36	LTEA5FSP173TW01	PTEE3FSP175TW01
ATEE9ASP133DN04	LTEA5FSP173TW04	PTEE3FSP283CG01
ATEE9ASP133DW04	LTEE5AGP133ZW30	PTEE3FSP285CG01
ATEE9ASP283CW01	LTEE5ASP133FW01	PTEE3FSP433AG01
ATEE9ASP285CW01	LTEE5ASP153TW01	PTGE3FSP093CG01
ATEE9ASP285CW14	LTEE5ASP155TW01	PTGE3FSP095CG01
ATEE9ASP433XW34	LTEE5ASP173TW01	PTGE3FSP113TG01
ATEE9ASP453LW26	LTEE5ASP175TW01	PTGE3FSP115TG01
ATEE9ASP435XW34	LTEE5ASP283CW01	PTGE3FSP115TW01
ATEE9ASP455LN01	LTEE5ASP285CW01	PTGE3FSP303AG01
ATEE9ASP455LW01	LTEE5ASP293CW01	TTHE5ASP303NW36
ATEE9ASP543DN04	LTEE5ASP295CW01	TTPE5ASP303NW36
ATEE9ASP543DW04	LTEE5ASP303WW01	UTEE5ASP173TW01
ATEE9ASP545DW04	LTEE5ASP303WW37	UTEE5ASP173TW08
ATEE9ASP565XW01	LTEE5ASP303ZW01	UTEE5ASP175TW01
ATEE9AWP433AW01	LTEE5ASP333NW01	UTEE5ASP175TW08
ATEE9AWP435AW01	LTEE5ASP433AW01	UTEE5ASP283CW01
ATGE9AGP305AW01	LTEE5ASP433AW12	UTEE5ASP285CW01
ATGE9ASP093CW01	LTEE5ASP453VW26	UTGE5ASP113TW01
ATGE9ASP095CW01	LTEE5ASP543NW01	UTGE5ASP113TW08
ATGE9ASP095CW14	LTEE5ASP543NW23	UTGE5ASP115TW01
ATGE9ASP123DN04	LTEE5ASP543RW01	UTGE5ASP115TW08
ATGE9ASP123DW04	LTEE5ASP553KW01	YTEE5ASP133FW01
ATGE9ASP125DW04	LTEE5FSP175TW01	YTEE5ASP173TW01
ATGE9ASP303XW01	LTEE5FSP275TW01	YTEE5ASP175TW01
ATGE9ASP303XW26	LTGA5FSP113TW01	YTEE5ASP283CW01
ATGE9ASP305XW01	LTGE5ASP093CW01	YTEE5ASP285CW01
ATGE9ASP543DN04	LTGE5ASP095CW01	YTEE5ASP303NW10
ATGE9ASP543DW04	LTGE5ASP113FW01	YTGE5ASP093CW01
ATGE9ASP545DW04	LTGE5ASP113JW01	YTGE5ASP095CW01
ATGE9AWP303AW01	LTGE5ASP113TW01	YTGE5ASP113FW01
ATGE9AWP305AW01	LTGE5ASP115TW01	YTGE5ASP113TW01
ATHE9ASP453NW29	LTGE5ASP303AW01	YTGE5ASP115TW01
ATHE9ASP455NN29	LTGE5ASP303AW12	YTGE5ASP303NW21
ATHE9ASP455NW29	LTGE5FSP115TW01	
ATLE9ASP305LW01	LTLE5ASP303LW01	
BTEE6ASP173TW01	LTLE5ASP303NW35	
BTEE6ASP283CW01	LTLE5ASP543NW23	
BTGE6ASP093CW01	LTME5ASP543KW01	
BTGE6ASP113TW01		
FTEE5ASP303NW10		
FTEE5ASP303ZW01		
FTEE5ASP433LW01		
FTGE5ASP303NW10		

Control Cabinet

10 Degree Front Models



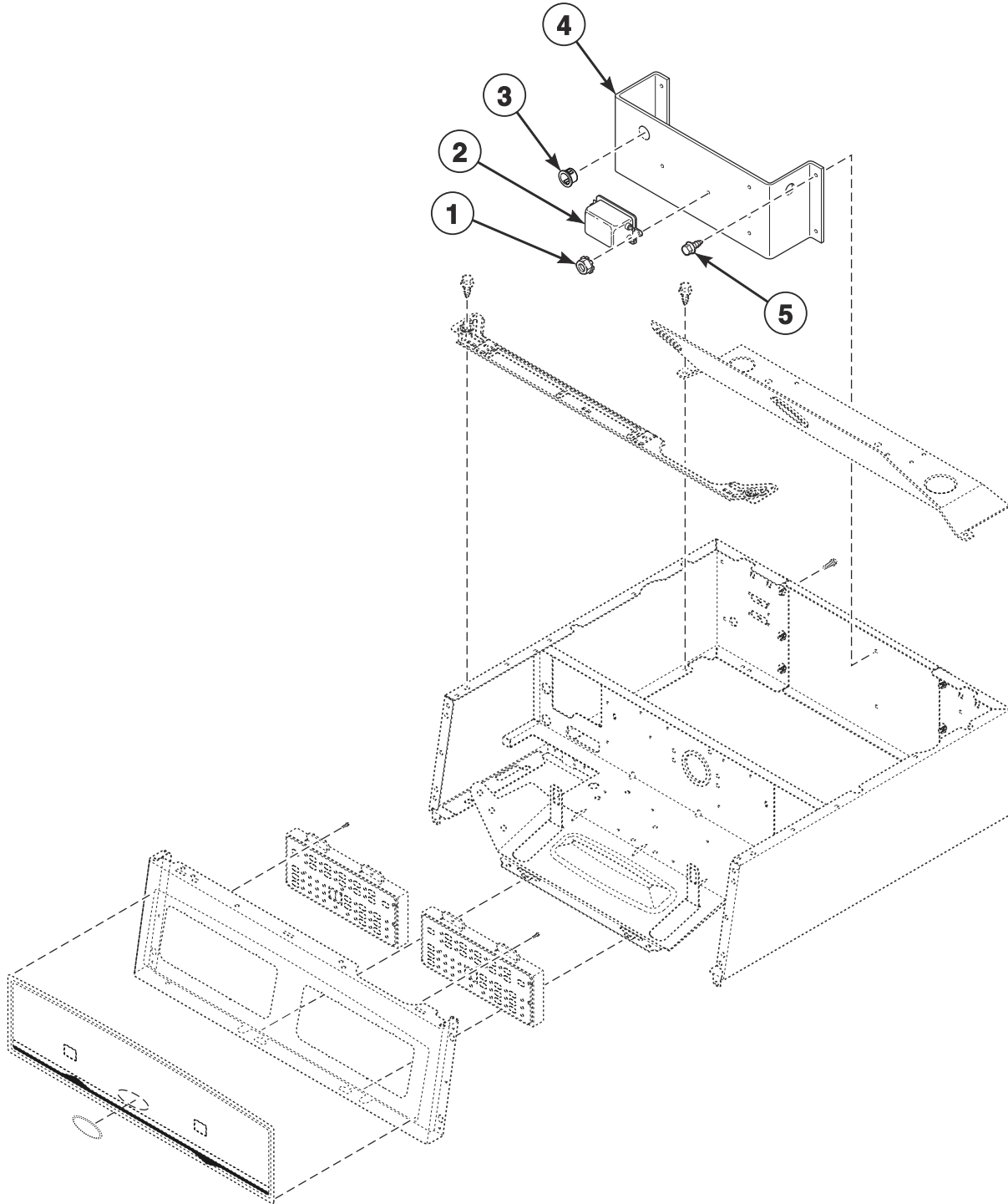
SWD1298P_806105

Control Cabinet

REF	PART NO.	DESCRIPTION	COMMENTS
1	803960WP	Control Panel	White
	803960B	Control Panel	Black
2	804112W	Wrapper Assembly	White
	804112B	Wrapper Assembly	Black
3	804018	Shield Bracket	
4	D503688	Screw	
5	804363	Control Shield	
6	70240301	Screw	
7	803998	Rear Access Panel	
8	70030501	Expansion Clip	

Control Cabinet Line Filter (Drawing 1 of 2)

Models ATEE9ASG453NW36, ATEE9ASP133DN04, ATEE9ASP133DW04, ATEE9ASP433XW34, ATEE9ASP453LW26, ATEE9ASP543DN04, ATEE9ASP543DW04, ATEE9AWP433AW01, ATGE9ASP123DN04, ATGE9ASP123DW04, ATGE9ASP303XW01, ATGE9ASP303XW26, ATGE9ASP543DN04, ATGE9ASP543DW04, ATGE9AWP303AW01, FTEE5ASP303NW10, FTEE5ASP303ZW01, FTGE5ASP303NW10, LTEE5AGP133ZW30, LTEE5ASP133FW01, LTEE5ASP303WW01, LTEE5ASP303WW37, LTEE5ASP303ZW01, LTEE5ASP333NW01, LTEE5ASP433AW01, LTEE5ASP433AW12, LTEE5ASP453VW26, LTEE5ASP543NW01, LTEE5ASP543NW23, LTEE5ASP543RW01, LTGE5ASP113FW01, LTGE5ASP303AW01, LTGE5ASP303AW12, LTLE5ASP303NW35, LTLE5ASP543NW23, YTEE5ASP133FW01, YTEE5ASP303NW10 and YTEE5ASP113FW01 Through Serial Nos. beginning 1610



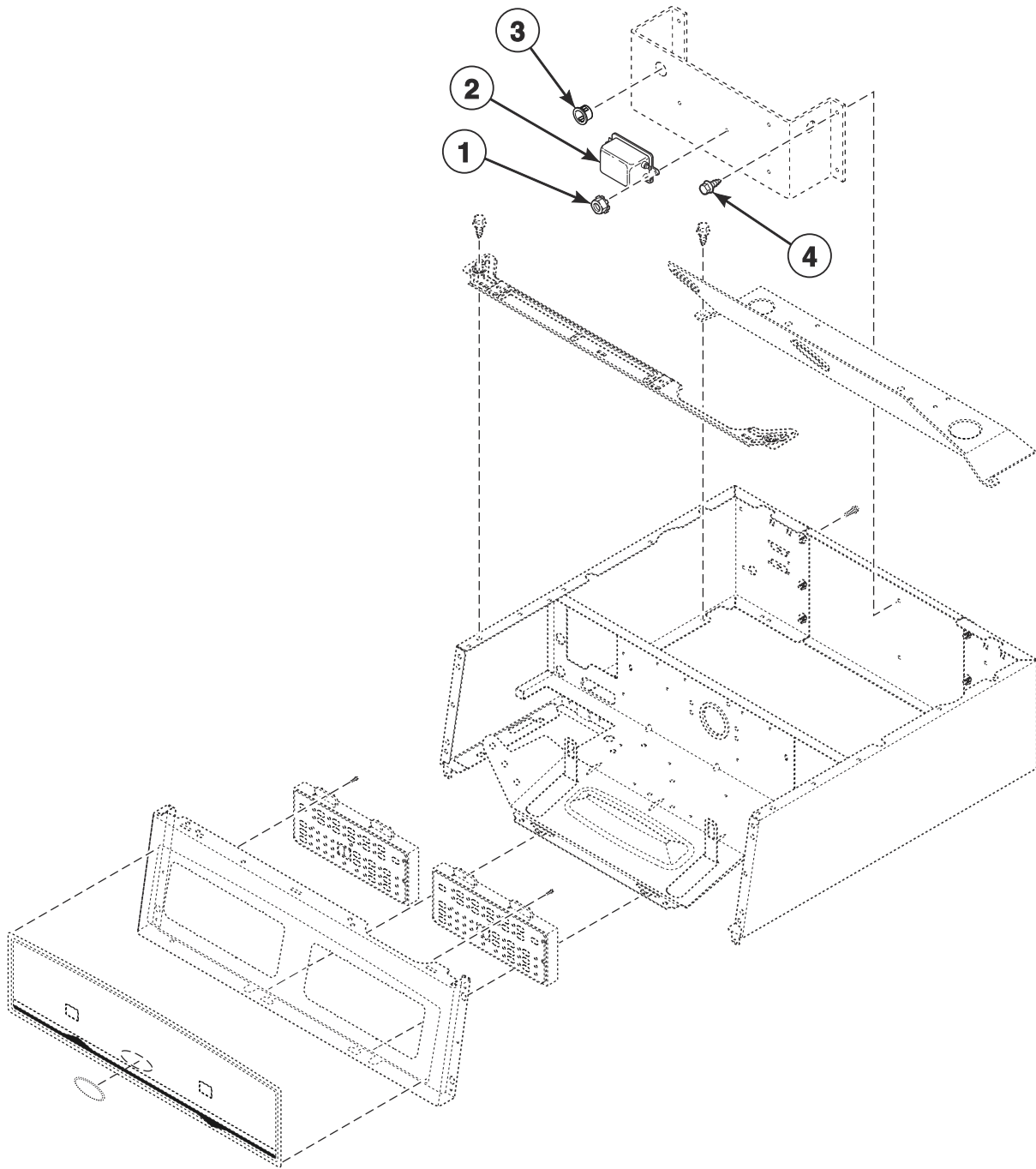
SWD1298PB_806105

Control Cabinet Line Filter (Drawing 1 of 2)

REF	PART NO.	DESCRIPTION	COMMENTS
	804396	Filter Harness	Filter to main harness; Model LTEE5AGP133ZW30
	804797	Filter Harness	Filter to main harness; All other models
1	29787	Nut	
2	805633	Line Filter	
3	M402542	Snap Bushing	
4	803988	Terminal Block Assembly	
5	D503661	Screw	

Control Cabinet Line Filter (Drawing 2 of 2)

Models LTEE5FSP275TW01



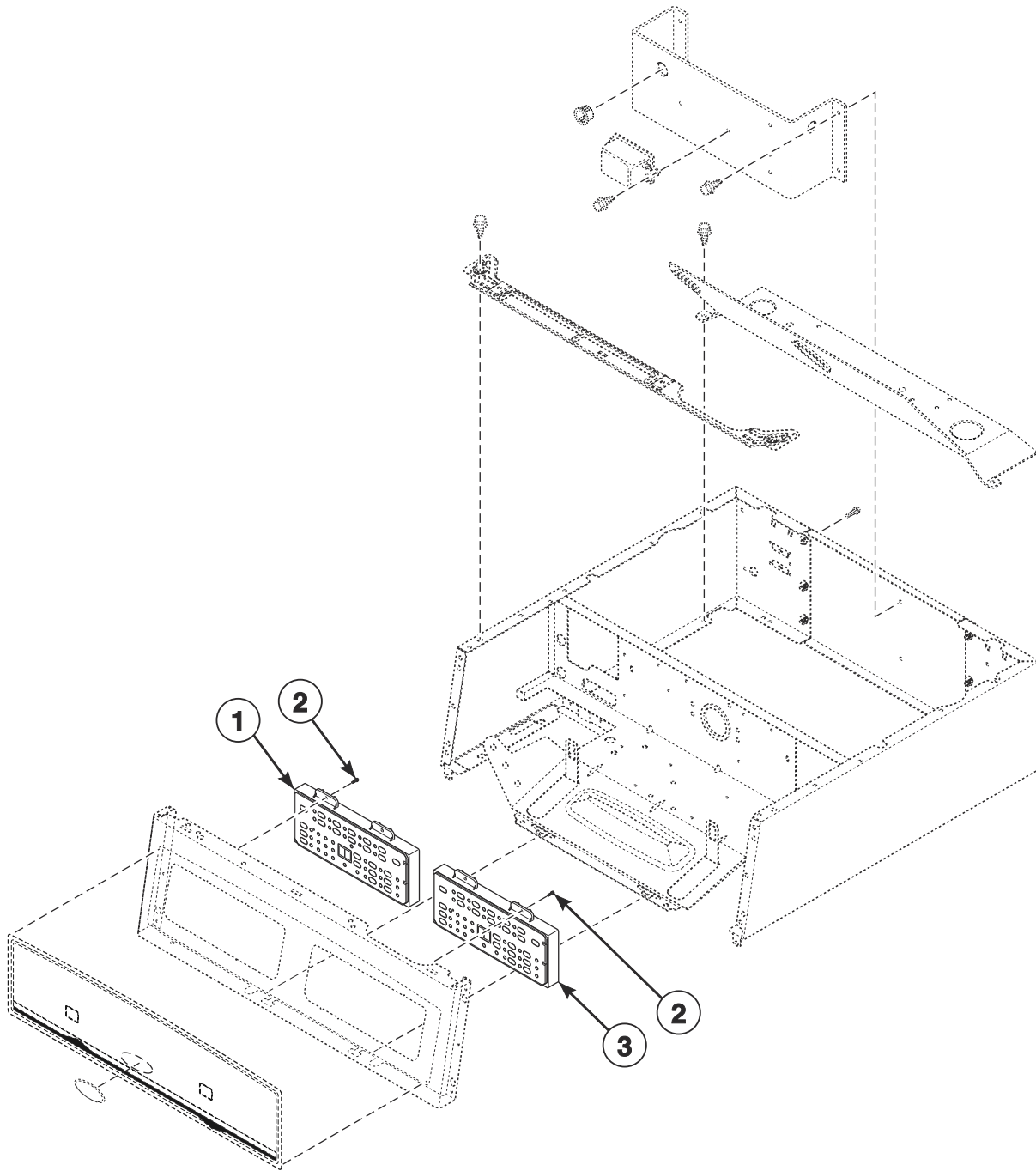
SWD1298PD_806105

Control Cabinet Line Filter (Drawing 2 of 2)

REF	PART NO.	DESCRIPTION	COMMENTS
	61203	Thermostat Opening Cover	
	202917	Power Jumper Harness	
	804797	Filter Harness	Filter to main harness
1	29787	Nut	
2	805633	Line Filter	
3	M402542	Snap Bushing	
4	D503661	Screw	

Controls

10 Degree Front Models



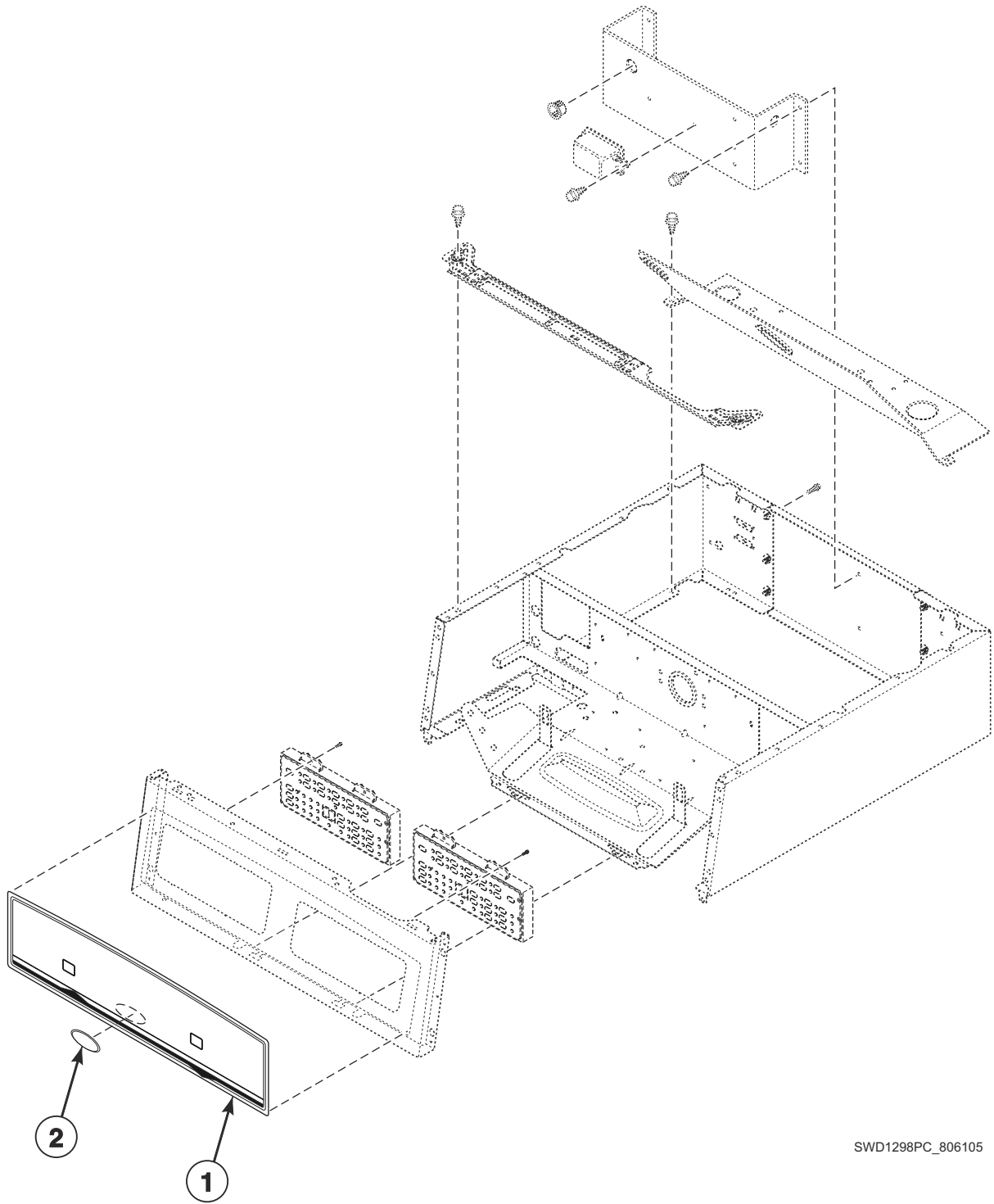
SWD1298PA_806105

Controls

REF	PART NO.	DESCRIPTION	COMMENTS
1	805236P	Control Assembly	Washer; Models ATEE9AGP435AW01, ATEE9AWP433AW01, ATEE9AWP435AW01, ATGE9AGP305AW01, ATGE9ASP303XW01, ATGE9ASP303XW26, ATGE9ASP305XW01, ATGE9AWP303AW01 and ATGE9AWP305AW01
	805218P	Control Assembly	Washer; Models BTEE6ASP173TW01, BTEE6ASP283CW01, BTGE6ASP093CW01 and BTGE6ASP113TW01
	805225P	Control Assembly	Models LTEE5ASP433AW01, LTEE5ASP433AW12, LTGE5ASP303AW01 and LTGE5ASP303AW12
	805219P	Control Assembly	Washer; Models ATEE9ASG453NW36, ATEE9ASG455NW36, ATEE9ASP133DN04, ATEE9ASP133DW04, ATEE9ASP283CW01, ATEE9ASP433XW34, ATEE9ASP435XW34, ATEE9ASP453LW26, ATEE9ASP455LN01, ATEE9ASP455LW01, ATEE9ASP543DN04, ATEE9ASP543DW04, ATEE9ASP545DW04, ATEE9ASP565XW01, ATGE9ASP093CW01, ATGE9ASP123DN04, ATGE9ASP123DW04, ATGE9ASP125DW04, ATGE9ASP543DN04, ATGE9ASP543DW04, ATGE9ASP545DW04 and ATLE9ASP305LW01
	806589	Control Assembly	Washer; Models ATHE9ASP453NW29 and ATHE9ASP455NN29
	805217P	Control Assembly	Washer; All other models
2	804667	Screw	
3	D514567P	Control	Dryer; Models ATEE9AGP435AW01, ATEE9ASG453NW36, ATEE9ASG455NW36, ATEE9ASP133DN04, ATEE9ASP133DW04, ATEE9ASP283CW01, ATEE9ASP453LW26, ATEE9ASP455LN01, ATEE9ASP455LW01, ATEE9ASP543DN04, ATEE9ASP543DW04, ATEE9ASP545DW04, ATEE9ASP565XW01, ATEE9AWP433AW01, ATEE9AWP435AW01, ATGE9AGP305AW01, ATGE9ASP093CW01, ATGE9ASP123DN04, ATGE9ASP123DW04, ATGE9ASP125DW04, ATGE9ASP303XW01, ATGE9ASP303XW26, ATGE9ASP305XW01, ATGE9ASP543DN04, ATGE9ASP543DW04, ATGE9ASP545DW04, ATGE9AWP303AW01, ATGE9AWP305AW01, ATHE9ASP453NW29, ATHE9ASP455NN29, ATHE9ASP455NW29 and ATLE9ASP305LW01
	D514566P	Control	Dryer; Models BTEE6ASP173TW01, BTEE6ASP283CW01, BTGE6ASP093CW01 and BTGE6ASP113TW01
	D514565P	Control Assembly	Dryer; All other models

Overlay

10 Degree Front Models



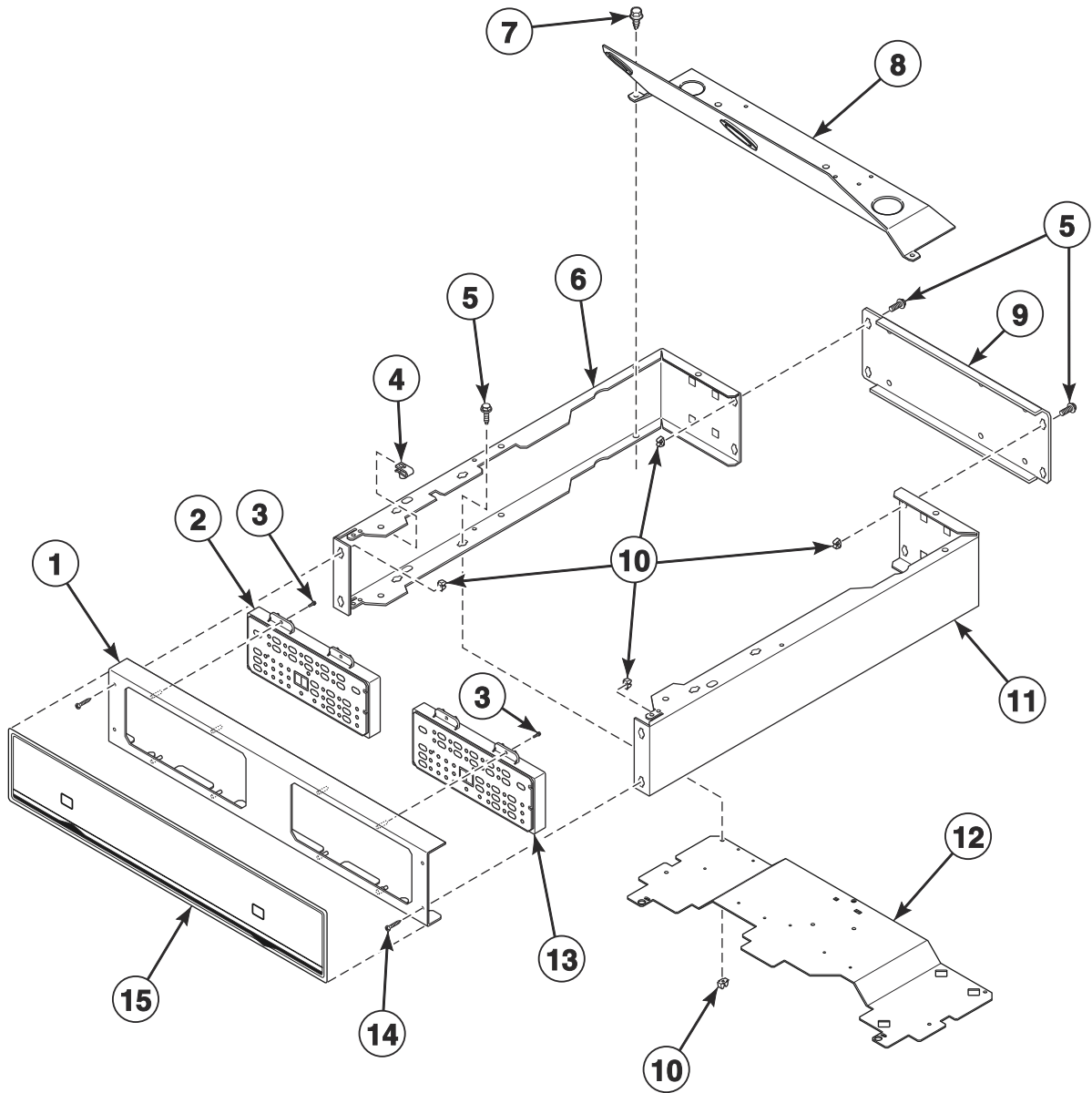
SWD1298PC_806105

Overlay

REF	PART NO.	DESCRIPTION	COMMENTS
1	804491	Control Overlay	Models ATEE9ASG453NW36, ATEE9ASP433XW34, ATEE9ASP453LW26, ATEE9AWP433AW01, ATGE9ASP303XW01, ATGE9ASP303XW26 and ATGE9AWP303AW01
	805651	Control Overlay	Models BTEE6ASP283CW01, BTGE6ASP093CW01, FTEE5ASP303ZW01, LTEE5ASP293CW01, LTEE5ASP295CW01, LTEE5ASP303ZW01, LTEE5ASP333NW01, LTEE5ASP543NW01, LTGE5ASP113JW01, UTEE5ASP283CW01, UTEE5ASP285CW01, YTEE5ASP283CW01, YTEE5ASP285CW01, YTGE5ASP093CW01 and YTGE5ASP095CW01
	806309	Control Overlay	Models ATEE9ASP133DN04, ATEE9ASP133DW04, ATEE9ASP543DN04, ATEE9ASP543DW04, ATGE9ASP123DN04, ATGE9ASP123DW04, ATGE9ASP543DN04 and ATGE9ASP543DW04
	804734	Control Overlay	Models ATEE9ASP283CW01 and ATGE9ASP093CW01
	806446	Control Overlay	Model ATHE9ASP453NW29
	806807	Control Overlay	Models LTEE5ASP553KW01 and LTME5ASP543KW01
	806745	Control Overlay	Models ATHE9ASP455NN29 and ATHE9ASP455NW29
	806701	Control Overlay	Models ATEE9AGP435AW01, ATEE9ASG455NW36, ATEE9ASP285CW01, ATEE9ASP435XW34, ATEE9ASP455LN01, ATEE9ASP455LW01, ATEE9ASP565XW01, ATEE9AWP435AW01, ATGE9AGP305AW01, ATGE9ASP095CW01, ATGE9ASP305XW01, ATGE9AWP305AW01 and ATLE9ASP305LW01
	806309	Control Overlay	Models ATEE9ASP285CW14 and ATGE9ASP095CW14
	807189	Control Overlay	Models ATEE9ASP545DW04, ATGE9ASP125DW04 and ATGE9ASP545DW04
	807466	Control Overlay	Model YTGE5ASP303NW21
	805650	Control Overlay	All other models
2	804969	Label	Models ATLE9ASP305LW01, FTEE5ASP433LW01, LTEE5AGP133ZW30, LTEE5ASP133FW01, LTEE5ASP153TW01, LTEE5ASP155TW01, LTEE5ASP173TW01, LTEE5ASP175TW01, LTEE5ASP283CW01, LTEE5ASP285CW01, LTEE5ASP293CW01, LTEE5ASP295CW01, LTEE5ASP303WW01, LTEE5ASP303WW37, LTEE5ASP303ZW01, LTEE5ASP333NW01, LTEE5ASP433AW01, LTEE5ASP433AW12, LTEE5ASP453VW26, LTEE5ASP543NW01, LTEE5ASP543NW23, LTEE5ASP543RW01, LTEE5ASP553KW01, LTGE5ASP093CW01, LTGE5ASP095CW01, LTGE5ASP113JW01, LTGE5ASP113TW01, LTGE5ASP115TW01, LTGE5ASP303AW01, LTGE5ASP303AW12, LTLE5ASP303LW01, LTLE5ASP303NW35, LTLE5ASP543NW23, LTME5ASP543KW01 and YTGE5ASP303NW21
	804970	Domed Label	Models YTEE5ASP133FW01, YTEE5ASP173TW01, YTEE5ASP175TW01, YTEE5ASP283CW01, YTEE5ASP285CW01, YTEE5ASP303NW10, YTGE5ASP093CW01, YTGE5ASP095CW01, YTGE5ASP113FW01, YTGE5ASP113TW01 and YTGE5ASP115TW01
	800923	Domed Label	Models UTEE5ASP173TW01, UTEE5ASP173TW08, UTEE5ASP175TW01, UTEE5ASP175TW08, UTEE5ASP283CW01, UTEE5ASP285CW01, UTGE5ASP113TW01, UTGE5ASP113TW08, UTGE5ASP115TW01 and UTGE5ASP115TW08
	203173	Domed Label	Models BTEE6ASP173TW01, BTEE6ASP283CW01, BTGE6ASP093CW01 and BTGE6ASP113TW01
	805914	Label	Domed; Models TTHE5ASP303NW36 and TTPE5ASP303NW36

Control Cabinet and Controls

Flat Front Models



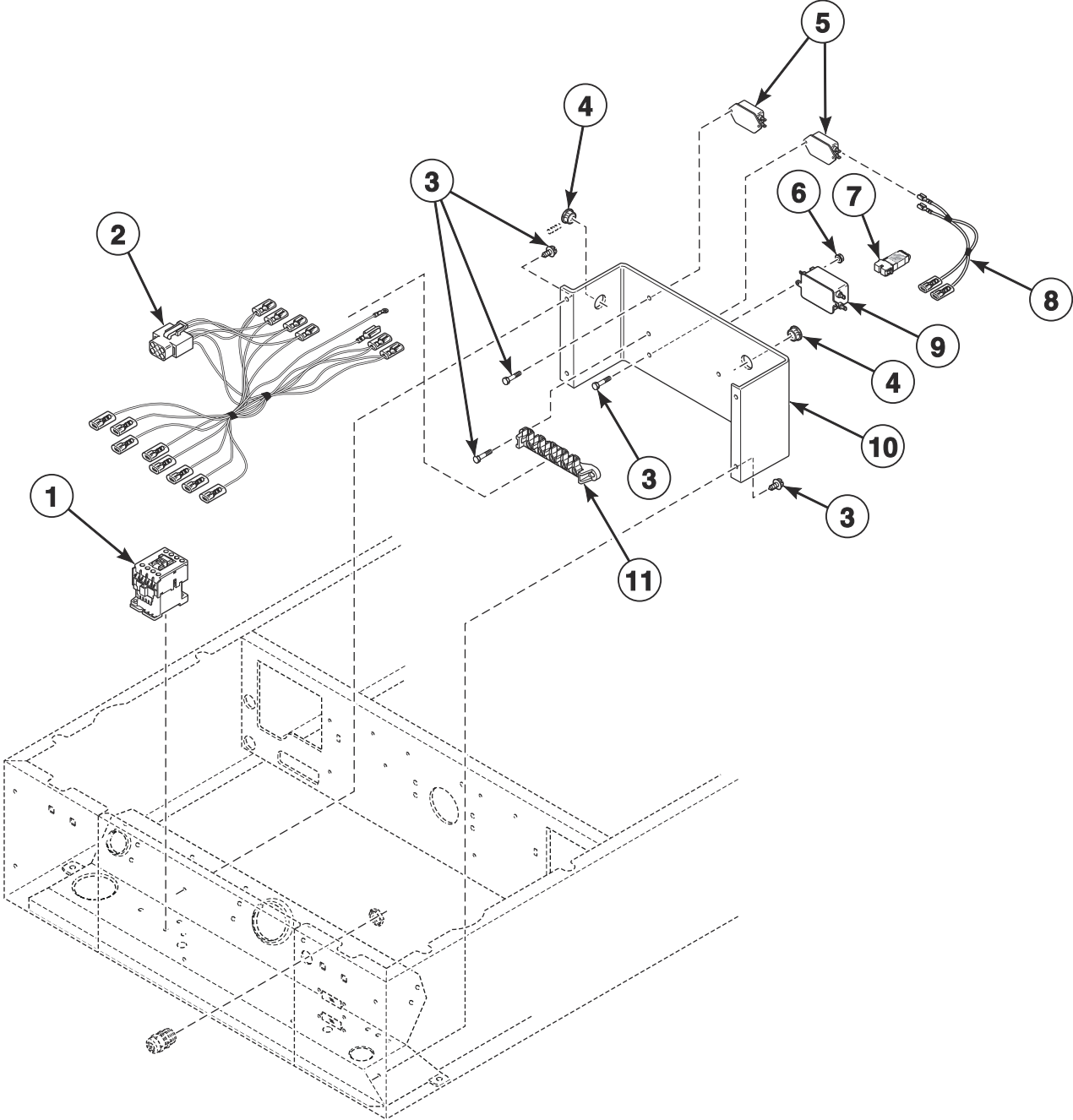
SWD1296P_806105

Control Cabinet and Controls

REF	PART NO.	DESCRIPTION	COMMENTS
1	806135W	Control Panel	White
	806135DG	Control Panel	Gray
2	805217P	Control Assembly	Washer; Models LTEA5FSP153TW01, LTEA5FSP153TW04, LTEA5FSP173TW01, LTEA5FSP173TW04, LTEE5FSP175TW01, LTEE5FSP275TW01, LTGA5FSP113TW01 and LTGE5FSP115TW01
	806259P	Control Assembly	Washer; Models PTEE3FSP173TG01, PTEE3FSP175TG01, PTEE3FSP175TW01, PTEE3FSP283CG01, PTEE3FSP285CG01, PTEE3FSP433AG01, PTGE3FSP093CG01, PTGE3FSP095CG01, PTGE3FSP113TG01, PTGE3FSP115TG01, PTGE3FSP115TW01 and PTGE3FSP303AG01
3	804667	Screw	
4	800931	Nut	
5	430497	Screw	
6	804640W	Control Cabinet	Left; White
	804640DG	Control Cabinet	Left; Gray
7	D503688	Screw	
8	804363	Control Shield	
9	804859	Rear Control Cabinet	
10	70030501	Expansion Clip	
11	804639W	Control Cabinet	Right; White
	804639DG	Control Cabinet	Right; Gray
12	804642	Control Cabinet Base	
13	D515430P	Control Assembly	Dryer; Models LTEA5FSP153TW01, LTEA5FSP153TW04, LTEA5FSP173TW01, LTEA5FSP173TW04 and LTGA5FSP113TW01
	D515798P	Control	Dryer; Models PTEE3FSP173TG01, PTEE3FSP175TG01, PTEE3FSP175TW01, PTEE3FSP283CG01, PTEE3FSP285CG01, PTEE3FSP433AG01, PTGE3FSP093CG01, PTGE3FSP095CG01, PTGE3FSP113TG01, PTGE3FSP115TG01, PTGE3FSP115TW01 and PTGE3FSP303AG01
	D514565P	Control Assembly	Dryer; Models LTEE5FSP175TW01, LTEE5FSP275TW01 and LTGE5FSP115TW01
14	800930	Screw	
15	806121	Overlay	Models LTEA5FSP153TW01, LTEA5FSP153TW04, LTEA5FSP173TW01, LTEA5FSP173TW04 and LTGA5FSP113TW01
	806193	Overlay	Models PTEE3FSP173TG01, PTEE3FSP175TG01, PTEE3FSP175TW01, PTEE3FSP283CG01, PTEE3FSP285CG01, PTEE3FSP433AG01, PTGE3FSP093CG01, PTGE3FSP095CG01, PTGE3FSP113TG01, PTGE3FSP115TG01, PTGE3FSP115TW01 and PTGE3FSP303AG01
	806060	Overlay	Models LTEE5FSP175TW01, LTEE5FSP275TW01 and LTGE5FSP115TW01

Electrical Access Panel, Filters and Terminal Block

Models ATHE9ASP453NW29, ATHE9ASP455NN29, ATHE9ASP455NW29, TTHE5ASP303NW36 and TTPE5ASP303NW36

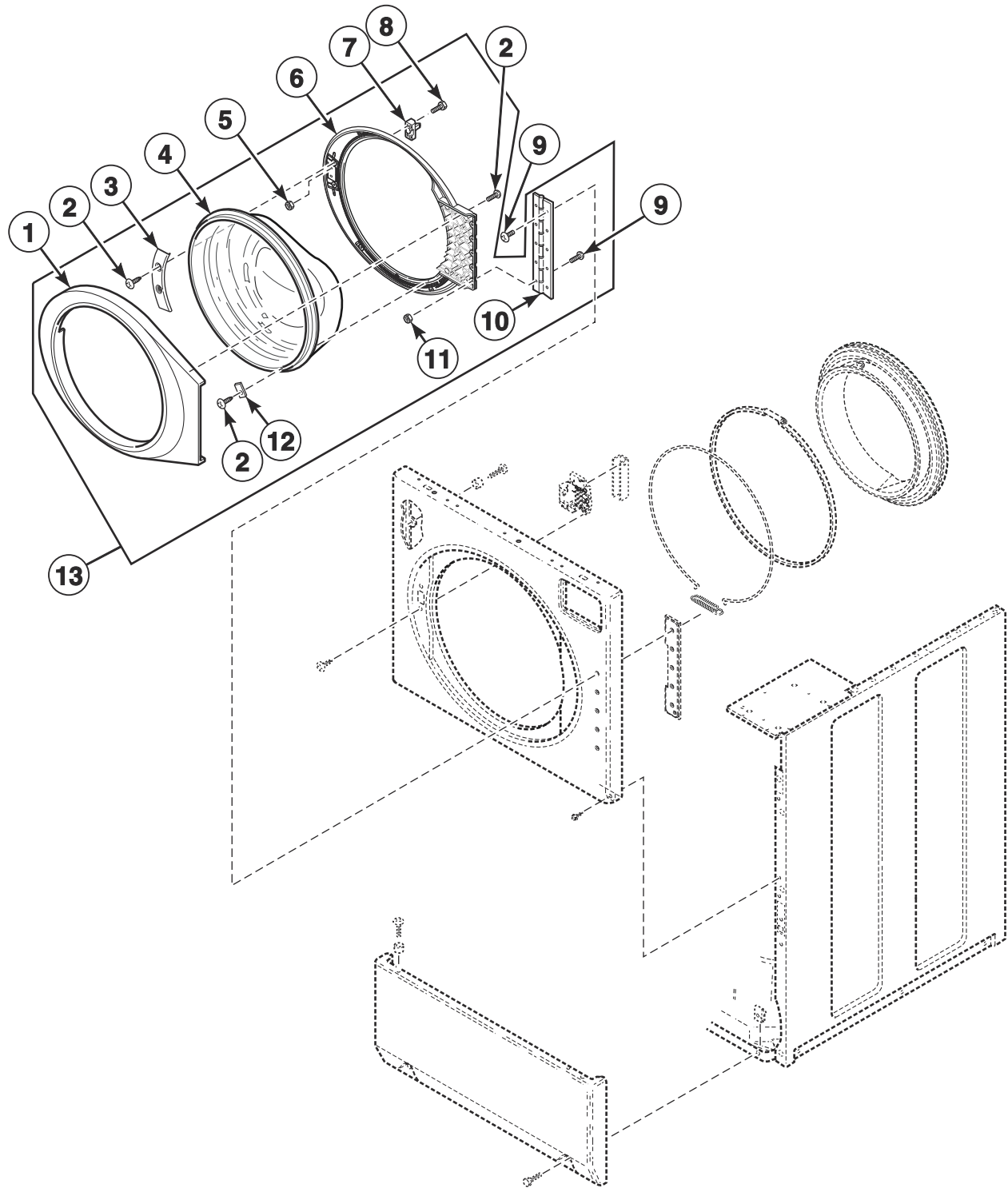


FLW1747P_806105

Electrical Access Panel, Filters and Terminal Block

REF	PART NO.	DESCRIPTION	COMMENTS
	804737	Terminal Block Harness	
	805356	Heater Contactor Drip Shield	
	805344	Terminal Block Drip Shield	
1	806428	Contactor	
2	806431	Heat Contactor Harness	
3	D503661	Screw	
4	M402542	Snap Bushing	
5	805634	Filter	
6	29787	Nut	
7	804651	Network Varistor Assembly	
8	804797	Filter Harness	Filter to main harness
9	805633	Line Filter	
10	803988	Terminal Block Assembly	
11	D505876	Terminal Block Assembly	

Door Assembly and Door Seal

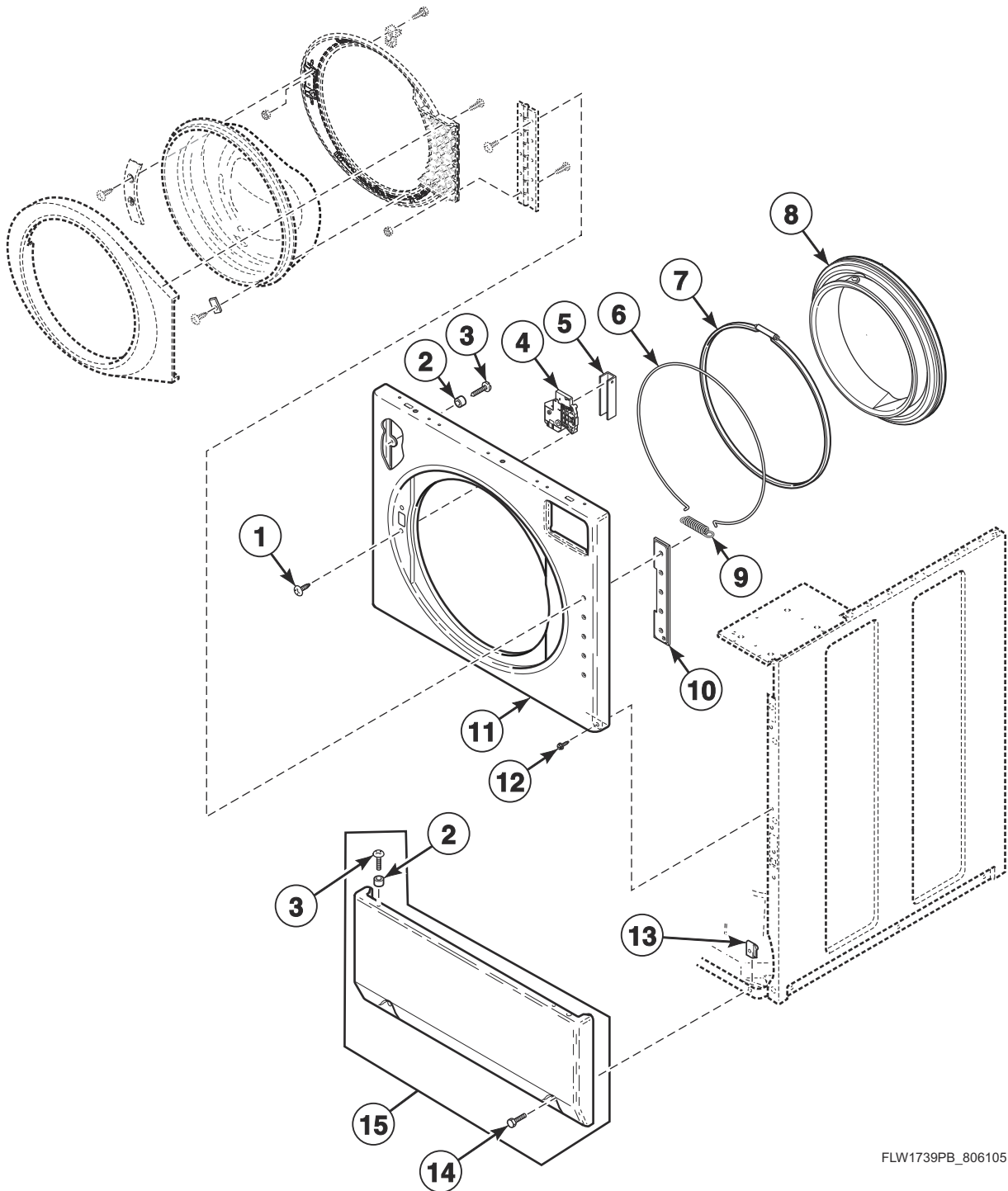


FLW1739P_806105

Door Assembly and Door Seal

REF	PART NO.	DESCRIPTION	COMMENTS
1	803710WP	Outer Door Bezel	White
	803710BP	Outer Door Bezel	Black
	803711P	Outer Door Bezel	Gray
2	800548	Screw	
3	804239	Door Glass Mounting Plate	
4	802695P	Door Glass	
5	685846	Nut	
6	802307P	Inner Door Bezel Kit	White
	802331P	Inner Door Bezel Kit	Gray
	804562P	Inner Door Bezel	Glass-filled polypropylene upgrade
7	802803	Door Catch Assembly	
8	801993	Screw	
9	801019	Screw	
10	802934	Door Hinge	
11	23951	Nut	
12	802700	Glass Mounting Clip	7 required
13	804083WP	Door Assembly	White; Includes items 1-12
	804210P	Door Assembly	Gray; Includes items 1-12
	805550	Door Assembly	Black; Includes items 1-12

Front Panel



FLW1739PB_806105

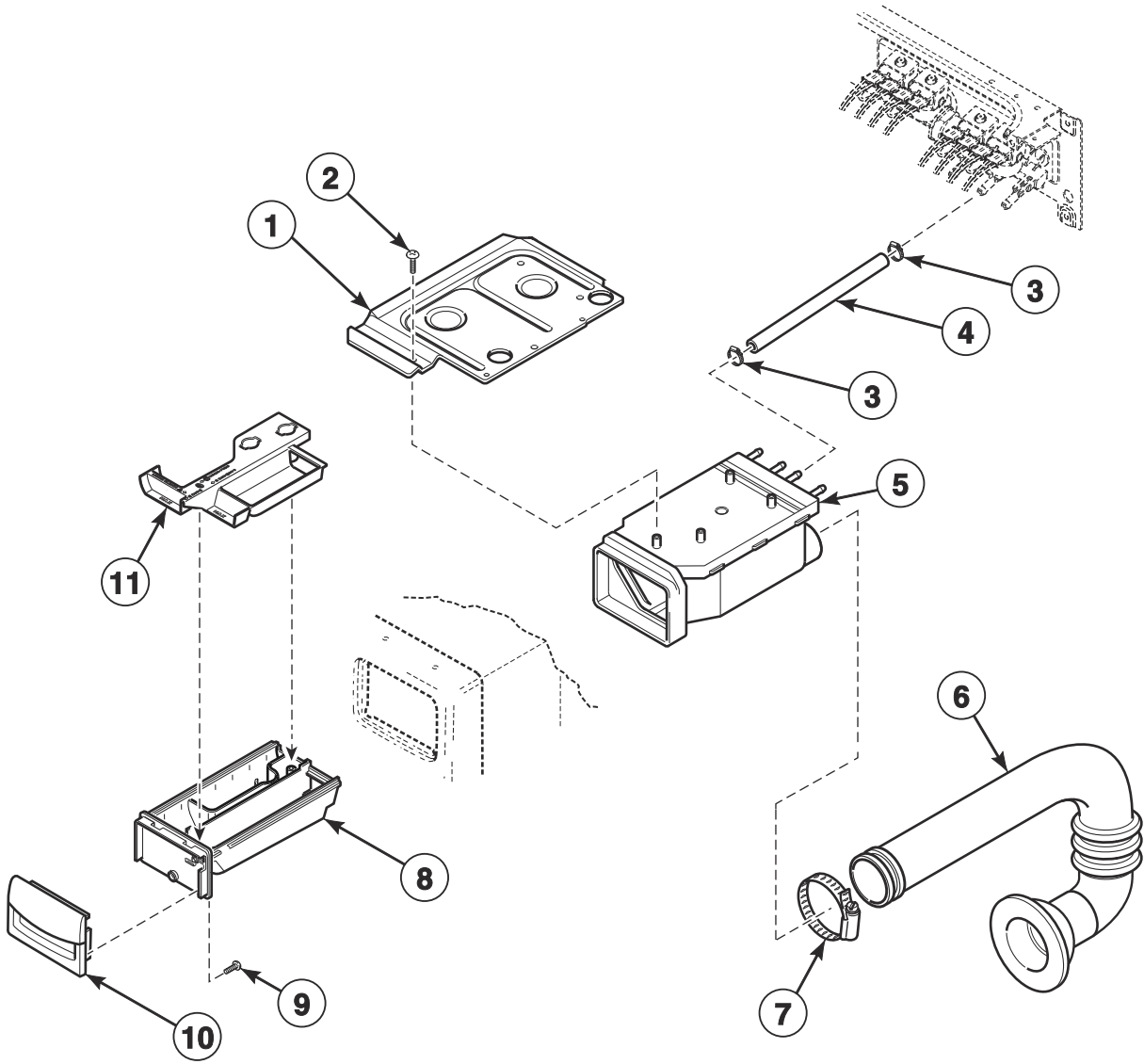
Front Panel

REF	PART NO.	DESCRIPTION	COMMENTS
1	800548	Screw	
2	56079	Panel Locator	
3	39733	Screw	Use with painted panels
	806276	Screw	Use with stainless steel panels
4	803920	Door Latch Assembly	
5	804784	Door Lock Drip Shield	Models ATEE9AGP435AW01, ATEE9ASP133DN04, ATEE9ASP133DW04, ATEE9ASP433XW34, ATEE9ASP435XW34, ATEE9ASP453LW26, ATEE9ASP455LN01, ATEE9ASP455LW01, ATEE9ASP543DN04, ATEE9ASP543DW04, ATEE9ASP545DW04, ATEE9ASP565XW01, ATEE9AWP433AW01, ATEE9AWP435AW01, ATGE9AGP305AW01, ATGE9ASP123DN04, ATGE9ASP123DW04, ATGE9ASP125DW04, ATGE9ASP303XW01, ATGE9ASP303XW26, ATGE9ASP305XW01, ATGE9ASP543DN04, ATGE9ASP543DW04, ATGE9ASP545DW04, ATGE9AWP303AW01, ATGE9AWP305AW01, ATHE9ASP453NW29, ATHE9ASP455NN29, ATHE9ASP455NW29, ATLE9ASP305LW01, FTEE5ASP303NW10, FTEE5ASP303ZW01, FTEE5ASP433LW01, LTEE5AGP133ZW30, LTEE5ASP133FW01, LTEE5ASP303WW01, LTEE5ASP303WW37, LTEE5ASP303ZW01, LTEE5ASP433AW01, LTEE5ASP433AW12, LTEE5ASP453VW26, LTEE5ASP543NW23, LTEE5ASP543RW01, LTEE5ASP553KW01, LTGE5ASP113FW01, LTGE5ASP113JW01, LTGE5ASP303AW01, LTGE5ASP303AW12, LTLE5ASP303LW01, LTME5ASP543KW01, PTEE3FSP433AG01, PTGE3FSP303AG01, YTEE5ASP133FW01, YTEE5ASP303NW10 and YTGE5ASP113FW01
6	802283	Wire Clamp Ring	
7	802281	Hose Clamp	Seal to outer tub front
8	804428P	Door Seal	Black
	804429P	Door Seal Assembly	Gray
9	802285	Extension Spring	
10	802206	Hinge Plate	
11	802277WP	Front Panel	White
	802277DG	Front Panel	Gray
	802288P	Front Panel	Stainless steel
12	D503661	Screw	
13	36020	Nut	
14	801045	Screw	Use with painted panels
	D512921	Screw	Use with stainless steel panels
15	D514250WP	Access Panel Assembly	White
	D514250DG	Access Panel Assembly	Gray
	806528	Access Panel Assembly	Stainless steel; Model ATEE9ASP455LN01
	D514251	Access Panel Assembly	Stainless steel; All other models

Front Panel Assembly

REF	PART NO.	DESCRIPTION	COMMENTS
1	806505W	Front Panel Assembly Kit	White
	806560	Front Panel Assembly Kit	Stainless steel

Dispenser Assembly

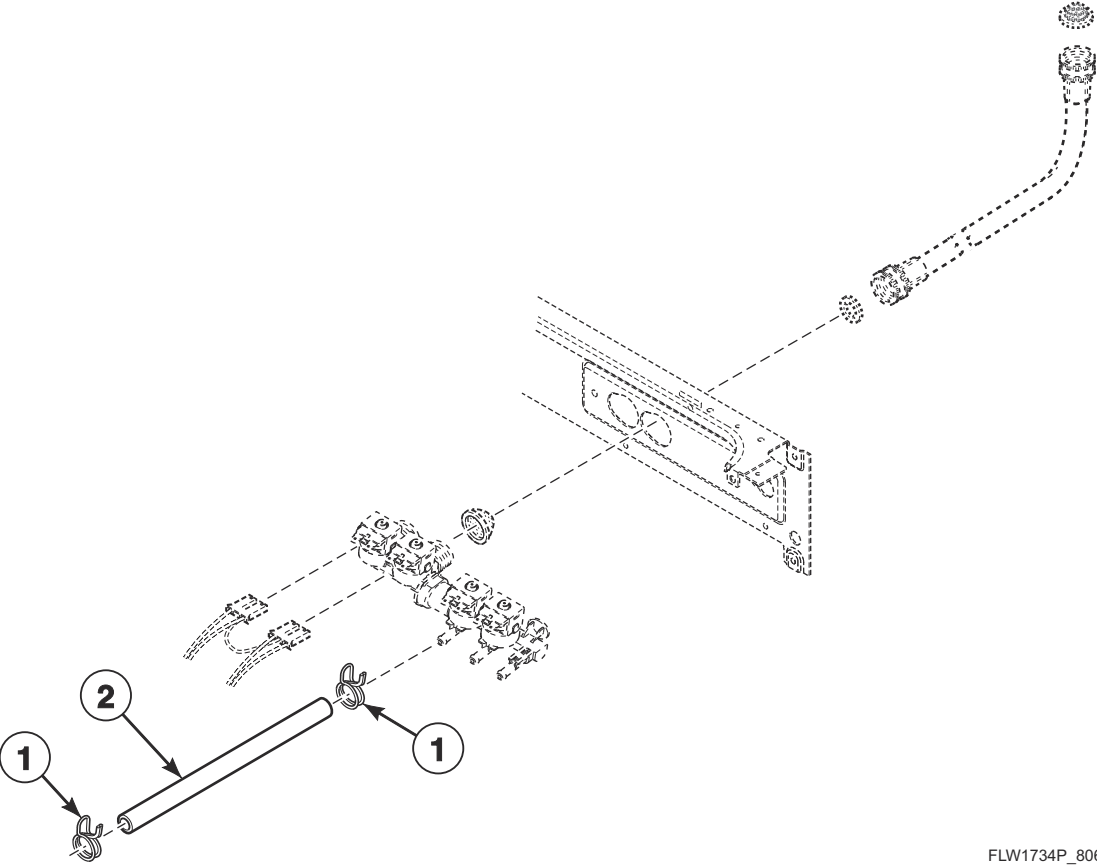


FLW1717P_806105

Dispenser Assembly

REF	PART NO.	DESCRIPTION	COMMENTS
	804875	Foam Pad	
	805938	Chemical Injection Conversion Kit	Includes 110 Volt/24 Volt transformer
	805939	Chemical Injection Conversion Kit	Includes 220 Volt/24 Volt transformer
1	803843	Dispenser Plate	
2	801001	Screw	
3	804173	Hose Clamp	
4	807364	Dispenser Inlet Hose	Models FTEE5ASP433LW01 and YTGE5ASP303NW21
	803849	Dispenser Inlet Hose	All other models
5	803698	Dispenser Assembly	
6	804717	Detergent Hose	
7	685725	Hose Clamp	
8	803667	Dispenser Drawer	
9	800548	Screw	
10	804227WP	Dispenser Handle	White
	804227B	Dispenser Handle	Black
	804228	Dispenser Handle	Gray
11	803669	Compartment Cover	

Mixing Valve and Valve-to-Dispenser Hose (Drawing 1 of 2)

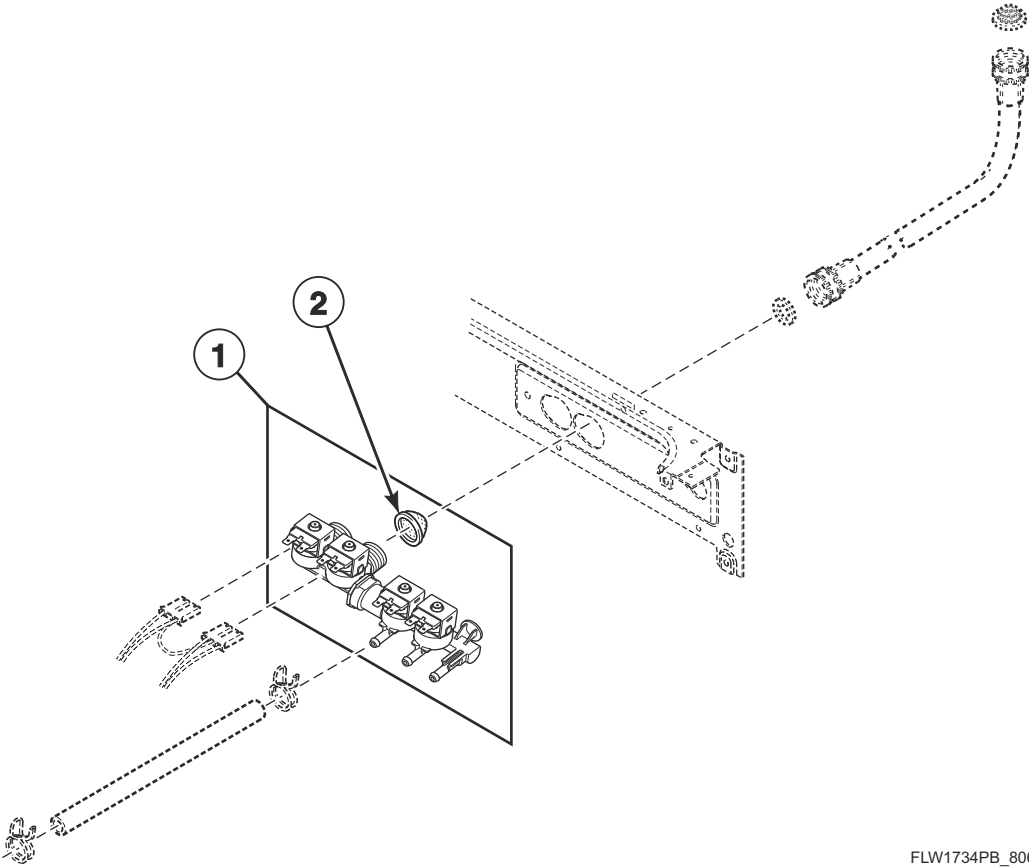


FLW1734P_806105

Mixing Valve and Valve-to-Dispenser Hose (Drawing 1 of 2)

REF	PART NO.	DESCRIPTION	COMMENTS
	804783	Mixing Valve Shield	Models ATEE9AGP435AW01, ATEE9ASP133DN04, ATEE9ASP133DW04, ATEE9ASP433XW34, ATEE9ASP435XW34, ATEE9ASP453LW26, ATEE9ASP455LN01, ATEE9ASP455LW01, ATEE9ASP543DN04, ATEE9ASP543DW04, ATEE9ASP545DW04, ATEE9ASP565XW01, ATEE9AWP433AW01, ATEE9AWP435AW01, ATGE9AGP305AW01, ATGE9ASP123DN04, ATGE9ASP123DW04, ATGE9ASP125DW04, ATGE9ASP303XW01, ATGE9ASP303XW26, ATGE9ASP305XW01, ATGE9ASP543DN04, ATGE9ASP543DW04, ATGE9ASP545DW04, ATGE9AWP303AW01, ATGE9AWP305AW01, ATHE9ASP453NW29, ATHE9ASP455NN29, ATHE9ASP455NW29, ATLE9ASP305LW01, FTEE5ASP303ZW01, FTEE5ASP433LW01, LTEE5AGP133ZW30, LTEE5ASP133FW01, LTEE5ASP303WW01, LTEE5ASP303WW37, LTEE5ASP303ZW01, LTEE5ASP433AW01, LTEE5ASP433AW12, LTEE5ASP453VW26, LTEE5ASP543RW01, LTEE5ASP553KW01, LTGE5ASP113FW01, LTGE5ASP113JW01, LTGE5ASP303AW01, LTGE5ASP303AW12, LTLE5ASP303LW01, LTME5ASP543KW01, PTEE3FSP433AG01, PTGE3FSP303AG01, TTPE5ASP303NW36, YTEE5ASP133FW01, YTGE5ASP113FW01 and YTGE5ASP303NW21
1	804173	Hose Clamp	6 required
2	807364	Dispenser Inlet Hose	Models FTEE5ASP433LW01 and YTGE5ASP303NW21
	803849	Dispenser Inlet Hose	All other models

Mixing Valve and Valve-to-Dispenser Hose (Drawing 2 of 2)

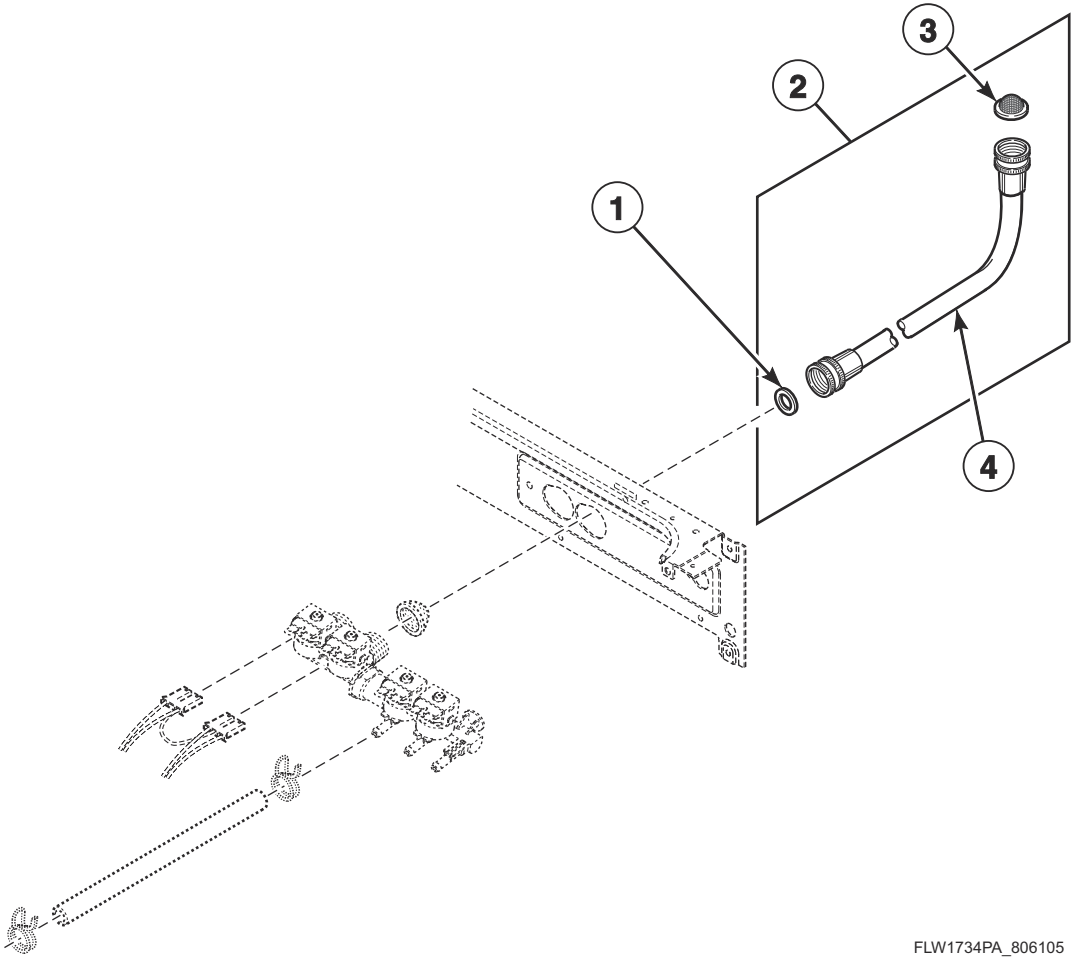


FLW1734PB_806105

Mixing Valve and Valve-to-Dispenser Hose (Drawing 2 of 2)

REF	PART NO.	DESCRIPTION	COMMENTS
1	806510P	Mixing Valve	Models ATEE9AGP435AW01, ATEE9ASG453NW36, ATEE9ASG455NW36, ATEE9ASP433XW34, ATEE9ASP435XW34, ATEE9ASP453LW26, ATEE9ASP455LN01, ATEE9ASP455LW01, ATEE9ASP543DN04, ATEE9ASP543DW04, ATEE9ASP545DW04, ATEE9ASP565XW01, ATEE9AWP433AW01, ATEE9AWP435AW01, ATGE9AGP305AW01, ATGE9ASP303XW01, ATGE9ASP303XW26, ATGE9ASP305XW01, ATGE9ASP543DN04, ATGE9ASP543DW04, ATGE9ASP545DW04, ATGE9AWP303AW01, ATGE9AWP305AW01, ATHE9ASP453NW29, ATHE9ASP455NN29, ATHE9ASP455NW29, ATLE9ASP305LW01, FTEE5ASP303NW10, FTEE5ASP303ZW01, FTEE5ASP433LW01, FTGE5ASP303NW10, LTEE5ASP303WW01, LTEE5ASP303WW37, LTEE5ASP303ZW01, LTEE5ASP333NW01, LTEE5ASP433AW01, LTEE5ASP433AW12, LTEE5ASP453VW26, LTEE5ASP543NW01, LTEE5ASP543NW23, LTEE5ASP543RW01, LTEE5ASP553KW01, LTGE5ASP303AW01, LTGE5ASP303AW12, LTLE5ASP303LW01, LTLE5ASP303NW35, LTLE5ASP543NW23, LTME5ASP543KW01, PTEE3FSP433AG01, PTGE3FSP303AG01, TTHE5ASP303NW36, TTPE5ASP303NW36, YTEE5ASP303NW10 and YTGE5ASP303NW21 through Serial No. 1810000001; GHT connection
	806612P	Mixing Valve	Models ATEE9AGP435AW01, ATEE9ASG453NW36, ATEE9ASG455NW36, ATEE9ASP433XW34, ATEE9ASP435XW34, ATEE9ASP453LW26, ATEE9ASP455LN01, ATEE9ASP455LW01, ATEE9ASP543DN04, ATEE9ASP543DW04, ATEE9ASP545DW04, ATEE9ASP565XW01, ATEE9AWP433AW01, ATEE9AWP435AW01, ATGE9AGP305AW01, ATGE9ASP303XW01, ATGE9ASP303XW26, ATGE9ASP305XW01, ATGE9ASP543DN04, ATGE9ASP543DW04, ATGE9ASP545DW04, ATGE9AWP303AW01, ATGE9AWP305AW01, ATHE9ASP453NW29, ATHE9ASP455NN29, ATHE9ASP455NW29, ATLE9ASP305LW01, FTEE5ASP303NW10, FTEE5ASP303ZW01, FTEE5ASP433LW01, FTGE5ASP303NW10, LTEE5ASP303WW01, LTEE5ASP303WW37, LTEE5ASP303ZW01, LTEE5ASP333NW01, LTEE5ASP433AW01, LTEE5ASP433AW12, LTEE5ASP453VW26, LTEE5ASP543NW01, LTEE5ASP543NW23, LTEE5ASP543RW01, LTEE5ASP553KW01, LTGE5ASP303AW01, LTGE5ASP303AW12, LTLE5ASP303LW01, LTLE5ASP303NW35, LTLE5ASP543NW23, LTME5ASP543KW01, PTEE3FSP433AG01, PTGE3FSP303AG01, TTHE5ASP303NW36, TTPE5ASP303NW36, YTEE5ASP303NW10 and YTGE5ASP303NW21 starting Serial No. 1810000001; BSPP connection
	806611	Mixing Valve	Models LTEE5AGP133ZW30 and LTGE5ASP113JW01; BSPP connection
	806509	Mixing Valve	All other models; GHT connection
2	24122	Mixing Valve Screen	

Fill Hose

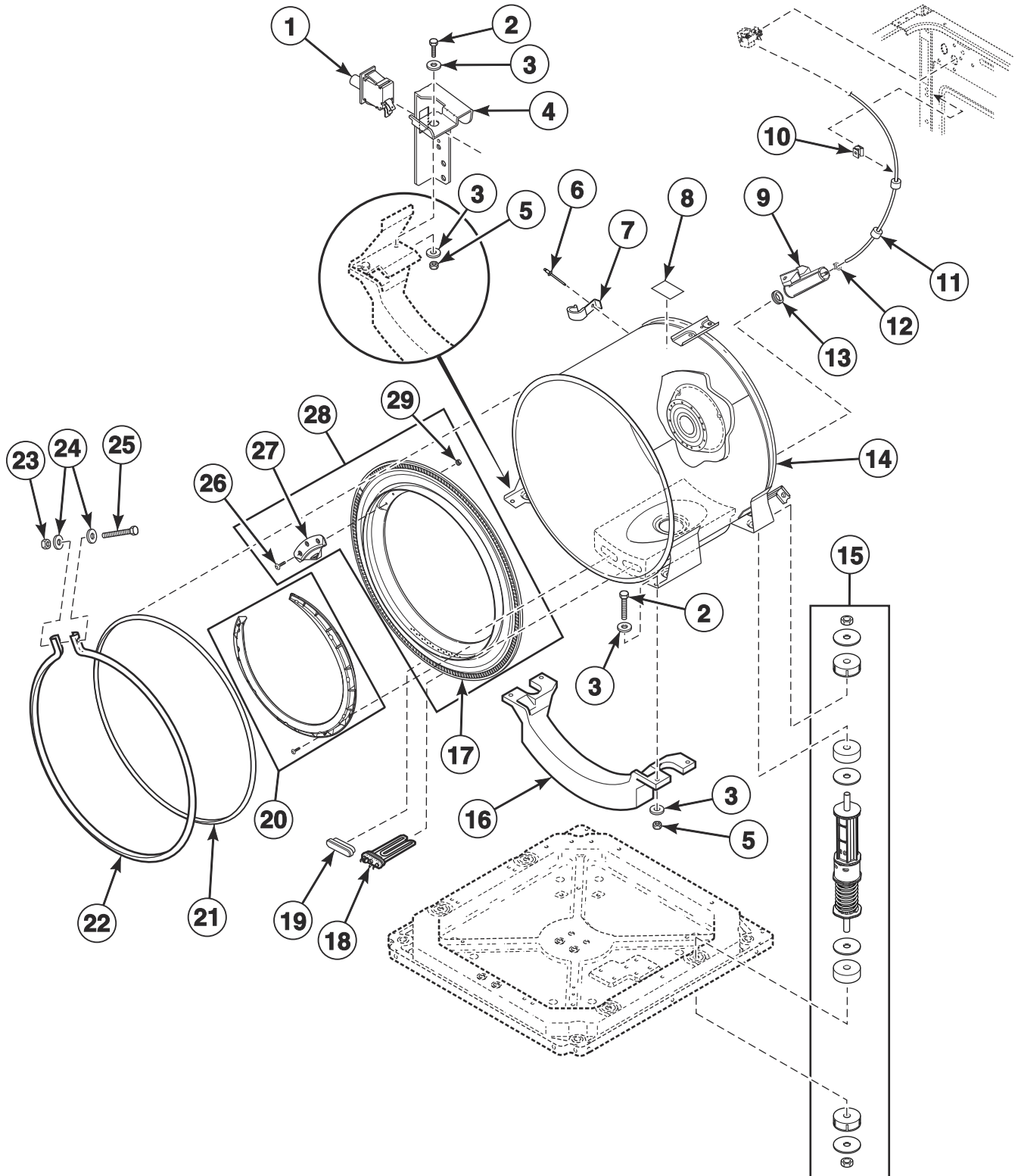


FLW1734PA_806105

Fill Hose

REF	PART NO.	DESCRIPTION	COMMENTS
1	803615	Washer	Filter screen
	802254	Washer	Flow restrictor; Water pressure reducer; Available for water pressure up to but not exceeding 120 psi
2	203720	Fill Hose	Marked for cold water; 4 feet; 2 GHT hose couplings
	203719	Fill Hose	Marked for hot water; 4 feet; 2 GHT hose couplings
	203750	Fill Hose	Marked for cold water; 4 feet; 1 BSPP thread hose coupling and 1 GHT hose coupling
	203718	Fill Hose	Marked for hot water; 4 feet; 1 BSPP thread hose coupling and 1 GHT hose coupling
	204103	Fill Hose	Marked for cold water; 4 feet; 2 BSPP thread hose couplings
	204102	Fill Hose	Marked for hot water; 4 feet; 2 BSPP thread hose couplings
	204108	Fill Hose	Marked for hot water; 10 feet; 2 BSPP thread hose coupling
3	20290	Washer	

Outer Tub, Front and Clamp Ring

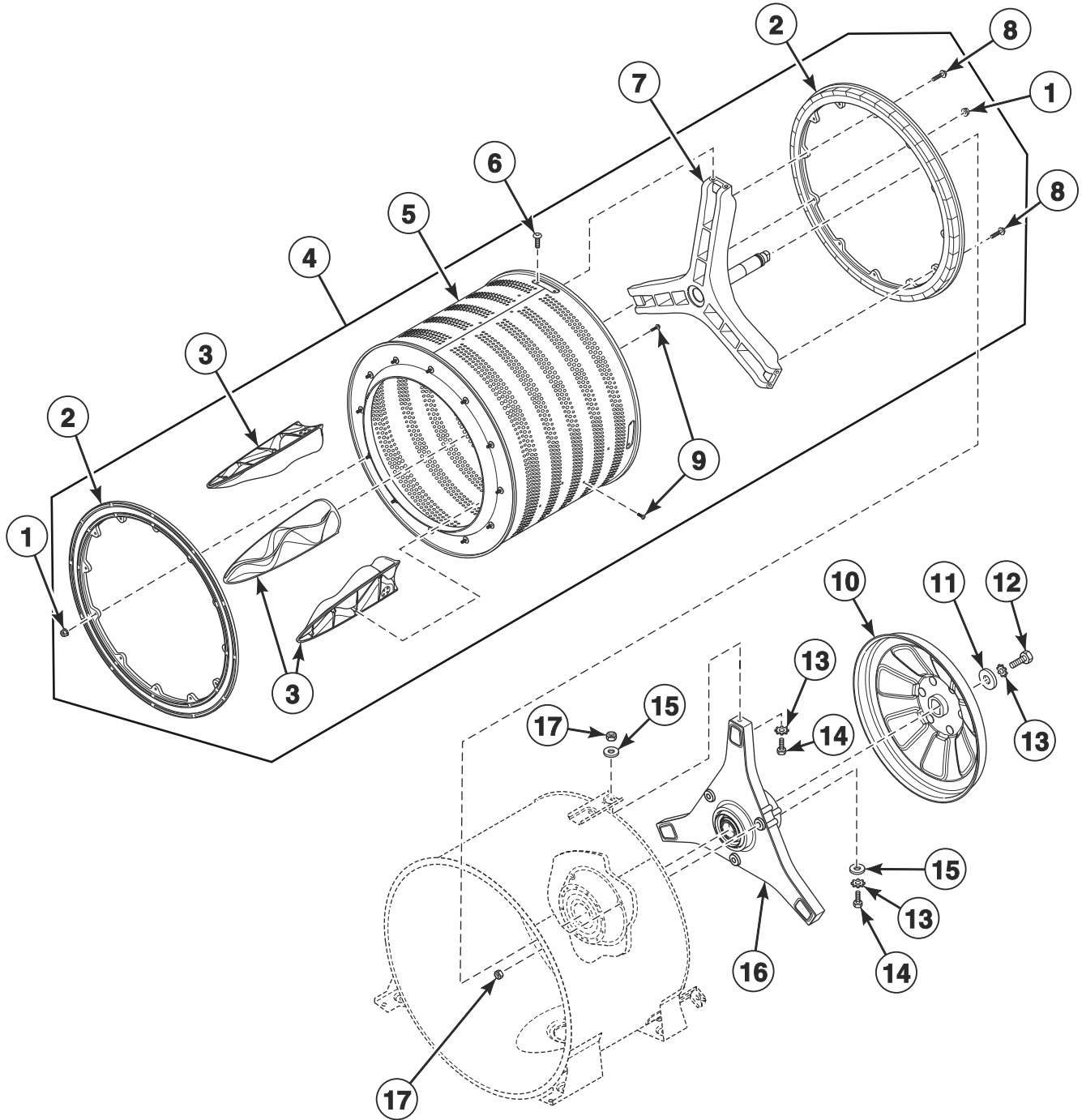


FLW1806P_806105

Outer Tub, Front and Clamp Ring

REF	PART NO.	DESCRIPTION	COMMENTS
1	803415	Out-of-Balance Switch Assembly	
2	800461	Screw	
3	804458	Washer	
4	804457	Out-of-Balance Switch Bracket	
5	800452	Nut	
6	685847	Pop Rivet	
7	800553	Hose Clip	
8	D500049	Warning Label	
9	803837	Pressure Bulb	
10	36985	Hose Clip	
11	804769	Pressure Sensor Tube Assembly	Models ATHE9ASP453NW29, ATHE9ASP455NN29, ATHE9ASP455NW29, TTHE5ASP303NW36 and TTPE5ASP303NW36
	804483	Pressure Sensor Tube Assembly	All other models
12	803891	Hose Clamp	
13	29175	Grommet	
14	803865	Outer Tub Assembly	Models ATHE9ASP453NW29, ATHE9ASP455NN29, ATHE9ASP455NW29, TTHE5ASP303NW36 and TTPE5ASP303NW36
	803864	Outer Tub Assembly	All other models
15	803777	Shock Assembly	Must replace all 4
16	803810	Counterweight	
17	803770	Tub Front	
18	806090	Heating Element	Includes thermistor; Models ATHE9ASP453NW29, ATHE9ASP455NN29, ATHE9ASP455NW29, TTHE5ASP303NW36 and TTPE5ASP303NW36
19	F360202	Heating Element Plug	Models ATHE9ASP453NW29, ATHE9ASP455NN29, ATHE9ASP455NW29, TTHE5ASP303NW36 and TTPE5ASP303NW36
20	806308	Foreign Object Deflector	Black; Includes screws
	806313	Foreign Object Deflector	Gray; Includes screws
	806361	Foreign Object Deflector	Tall; Gray; Includes screws
21	803801	Tub Front Seal	
22	803802	Clamp Ring	
23	F430218	Nut	
24	M400081	Washer	
25	800462	Screw	
26	802596	Screw	
27	804467	Clothes Guard Deflector	
	805548	Clothes Guard Deflector	Heavy duty
28	803879	Tub Front Assembly	Includes items 17, 24, 25 and 27
29	802343	Nut	

Inner Basket, Trunnion, Bearing Housing and Pulley

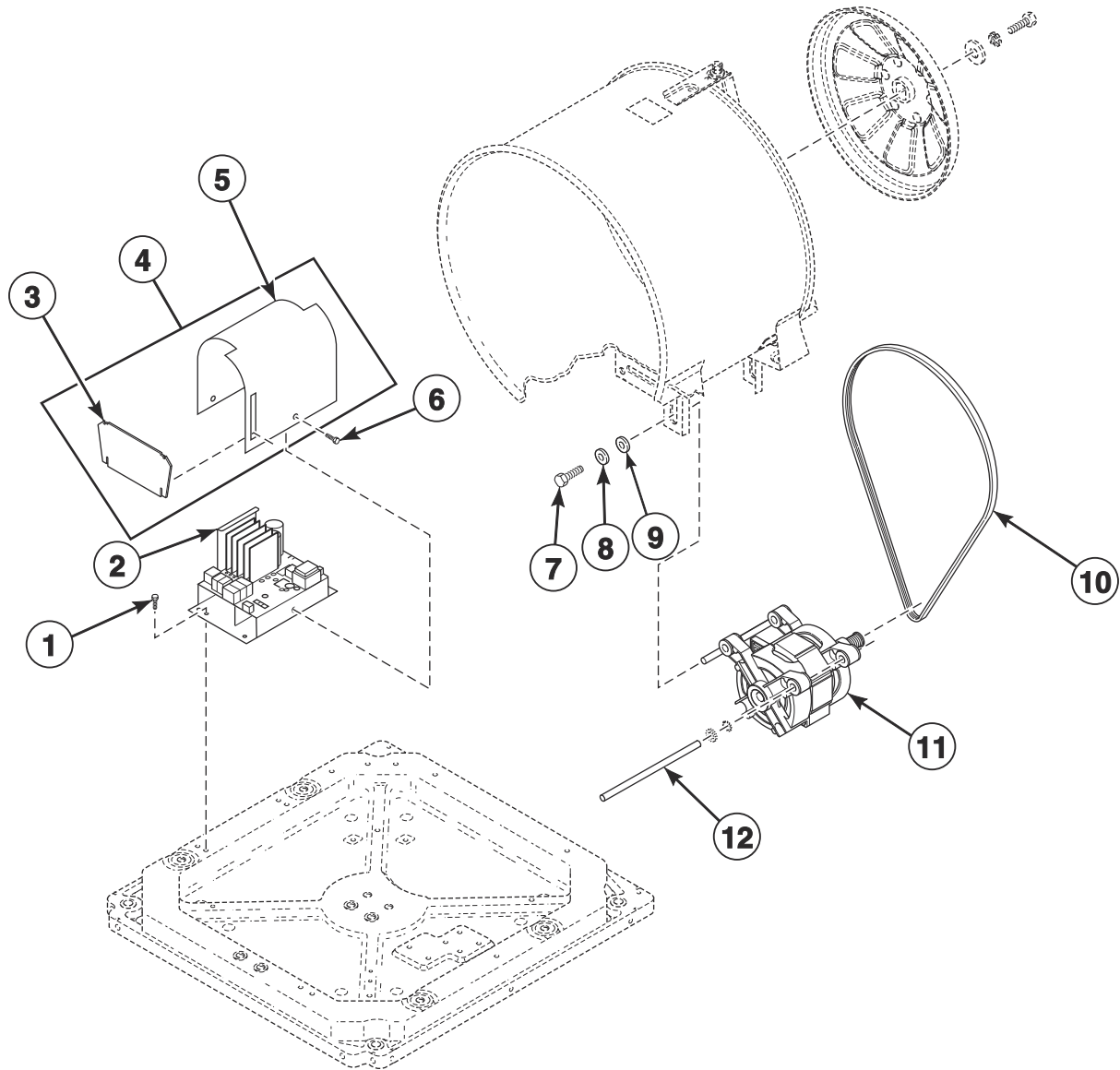


FLW1803P_806105

Inner Basket, Trunnion, Bearing Housing and Pulley

REF	PART NO.	DESCRIPTION	COMMENTS
	27604P	Anti-Seize Compound	Pulley to inner basket shaft
	805730	Bearing Kit	
1	804418	Nut	
2	804393	Balance Ring Assembly	
3	804382	Lifter	
4	805485	Inner Basket Assembly	Includes items 1-3 and 5-9; Models LTEE5ASP433AW12 and LTGE5ASP303AW12
	804376P	Inner Basket Assembly Kit	Includes items 1-3 and 5-9; All other models
5	804374P	Inner Basket Assembly	
6	804699	Screw	
7	806831	Trunnion Kit	Models LTEE5ASP433AW12 and LTGE5ASP303AW12; Includes hardware and tool
	804405P	Trunnion Shaft Kit	All other models; Includes hardware and tool
8	804399	Screw	
9	800548	Screw	
10	803974	Pulley Assembly	
11	800464	Washer	
12	685831	Screw	Left hand thread
13	M403958	Washer	Used through Serial No. 1609046805
14	M400043	Screw	
15	800457	Washer	
16	805525	Bearing Housing Kit	Includes hardware and tool
17	800452	Nut	

Motor and Belt



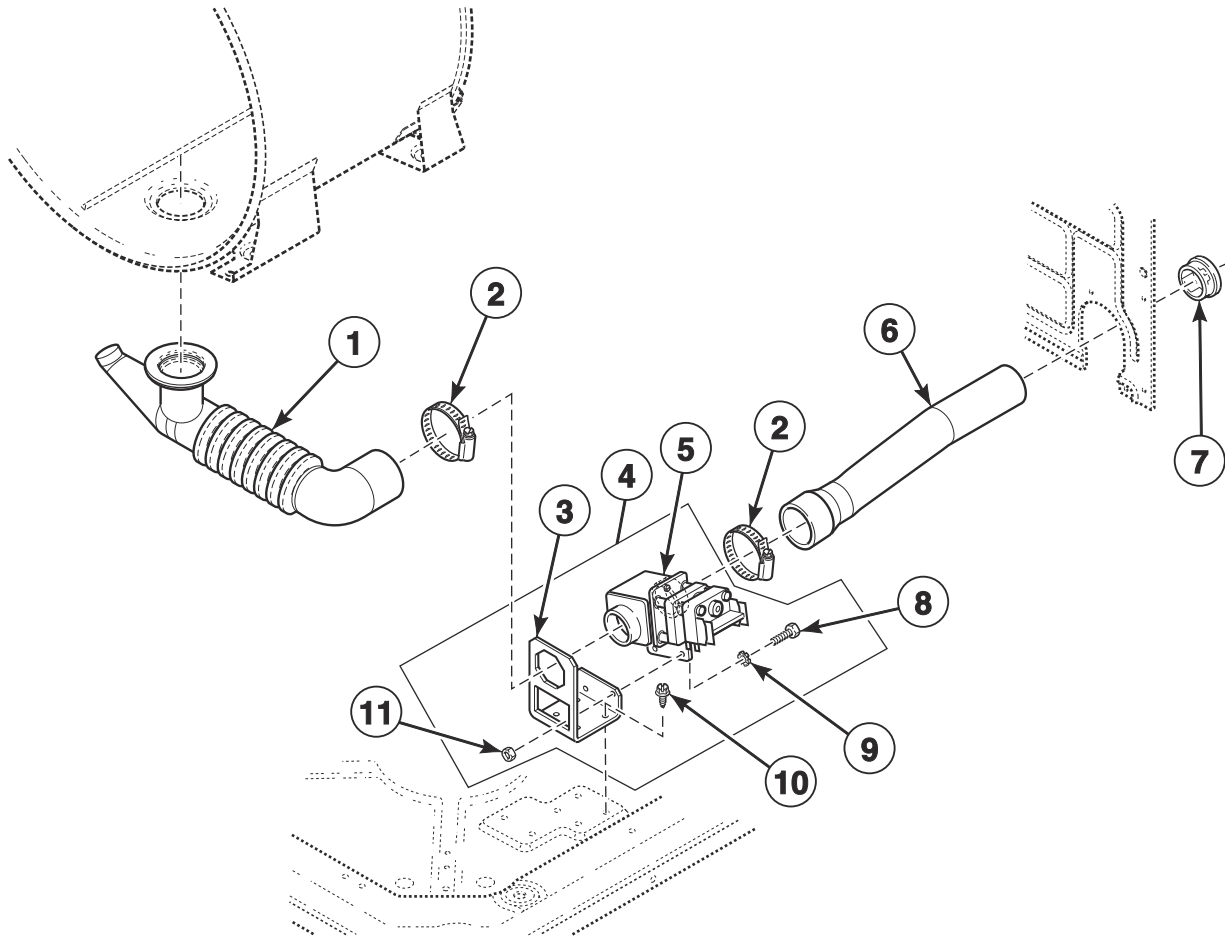
FLW1794P_806105

Motor and Belt

REF	PART NO.	DESCRIPTION	COMMENTS
1	D503661	Screw	
2	807175P	Inverter Control Assembly	
3	806258	End Shield	Models ATEE9AGP435AW01, ATEE9ASP133DN04, ATEE9ASP133DW04, ATEE9ASP433XW34, ATEE9ASP435XW34, ATEE9ASP453LW26, ATEE9ASP455LN01, ATEE9ASP455LW01, ATEE9ASP543DN04, ATEE9ASP543DW04, ATEE9ASP545DW04, ATEE9ASP565XW01, ATEE9AWP433AW01, ATEE9AWP435AW01, ATGE9AGP305AW01, ATGE9ASP123DN04, ATGE9ASP123DW04, ATGE9ASP125DW04, ATGE9ASP303XW01, ATGE9ASP303XW26, ATGE9ASP305XW01, ATGE9ASP543DN04, ATGE9ASP543DW04, ATGE9ASP545DW04, ATGE9AWP303AW01, ATGE9AWP305AW01, ATHE9ASP453NW29, ATHE9ASP455NN29, ATHE9ASP455NW29, ATLE9ASP305LW01, FTEE5ASP303ZW01, FTEE5ASP433LW01, LTEE5AGP133ZW30, LTEE5ASP133FW01, LTEE5ASP303WW01, LTEE5ASP303ZW01, LTEE5ASP333NW01, LTEE5ASP433AW01, LTEE5ASP433AW12, LTEE5ASP453VW26, LTEE5ASP543RW01, LTEE5ASP553KW01, LTGE5ASP113FW01, LTGE5ASP113JW01, LTGE5ASP303AW01, LTGE5ASP303AW12, LTLE5ASP303LW01, LTME5ASP543KW01, PTEE3FSP433AG01, PTGE3FSP303AG01, TTHE5ASP303NW36, TTPE5ASP303NW36, YTEE5ASP133FW01 and YTGE5ASP113FW01
4	806498	Motor Control Shield	Includes items 3 and 5; Models ATEE9AGP435AW01, ATEE9ASP133DN04, ATEE9ASP133DW04, ATEE9ASP433XW34, ATEE9ASP435XW34, ATEE9ASP453LW26, ATEE9ASP455LN01, ATEE9ASP455LW01, ATEE9ASP543DN04, ATEE9ASP543DW04, ATEE9ASP545DW04, ATEE9ASP565XW01, ATEE9AWP433AW01, ATEE9AWP435AW01, ATGE9AGP305AW01, ATGE9ASP123DN04, ATGE9ASP123DW04, ATGE9ASP125DW04, ATGE9ASP303XW01, ATGE9ASP303XW26, ATGE9ASP305XW01, ATGE9ASP543DN04, ATGE9ASP543DW04, ATGE9ASP545DW04, ATGE9AWP303AW01, ATGE9AWP305AW01, ATHE9ASP453NW29, ATHE9ASP455NN29, ATHE9ASP455NW29, FTEE5ASP303ZW01, FTEE5ASP433LW01, LTEE5AGP133ZW30, LTEE5ASP133FW01, LTEE5ASP303WW01, LTEE5ASP303ZW01, LTEE5ASP333NW01, LTEE5ASP433AW01, LTEE5ASP433AW12, LTEE5ASP453VW26, LTEE5ASP543RW01, LTEE5ASP553KW01, LTGE5ASP113FW01, LTGE5ASP113JW01, LTGE5ASP303AW01, LTGE5ASP303AW12, LTME5ASP543KW01, PTEE3FSP433AG01, PTGE3FSP303AG01, TTHE5ASP303NW36, TTPE5ASP303NW36, YTEE5ASP133FW01, YTGE5ASP113FW01 and YTGE5ASP303NW21
5	804878	Motor Control Shield	
6	D501524	Screw	
7	M400057	Screw	
8	02834	Washer	
9	M400080	Washer	
10	804985	Drive Belt	
11	805726P	Motor and Rod Assembly Kit	Includes item 12
12	803861	Motor Rod	

Drain Hose and Valve

Models ATEE9ASG453NW36 and ATEE9ASG455NW36



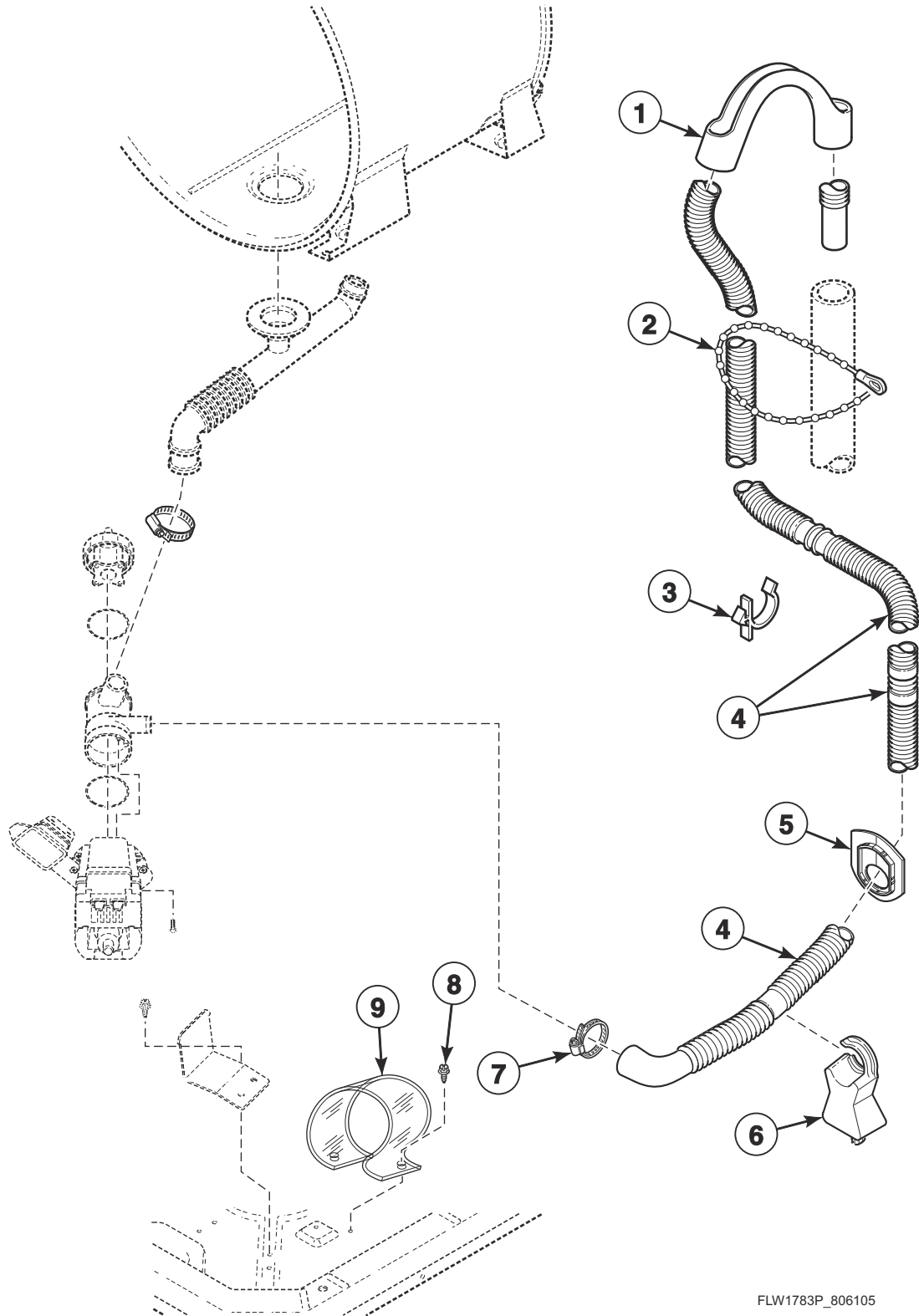
FLW1745P_806105

Drain Hose and Valve

REF	PART NO.	DESCRIPTION	COMMENTS
1	803874	Tub-to-Gravity Drain Hose	
2	685725	Hose Clamp	
3	803291	Gravity Drain Bracket	
4	F976P3	Drain Valve Kit	
5	803292	Gravity Drain Valve	
6	800903	Drain-to-Cabinet Hose	
7	D503235	Snap Bushing	
8	02916	Screw	
9	M400017	Washer	
10	D503661	Screw	
11	29786	Nut	

Drain Hose and Pump (Drawing 1 of 2)

All Models Except ATEE9ASG453NW36 and ATEE9ASG455NW36



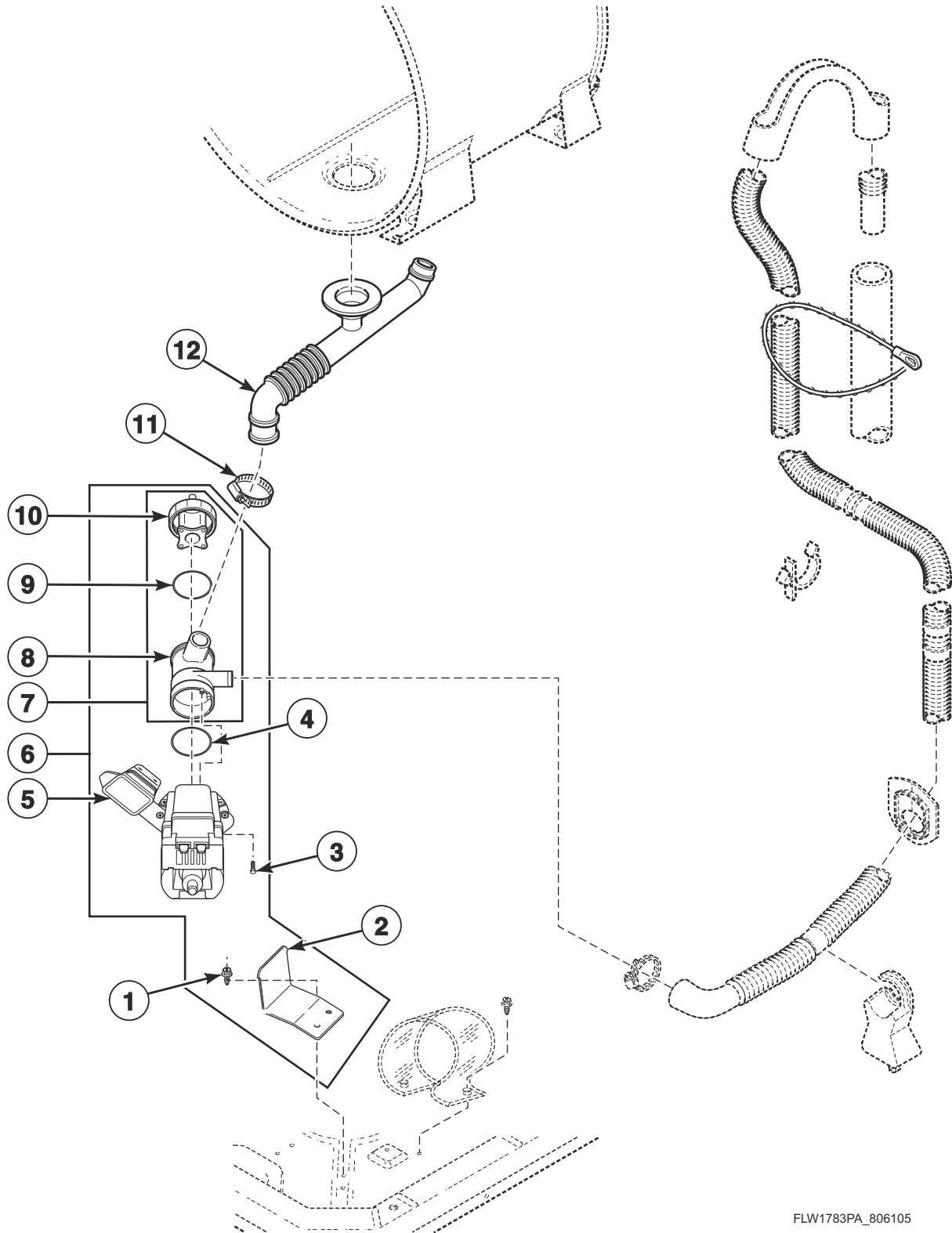
FLW1783P_806105

Drain Hose and Pump (Drawing 1 of 2)

REF	PART NO.	DESCRIPTION	COMMENTS
	805770	Pump-to-Gravity Drain Kit	Models ATEE9AGP435AW01, ATEE9ASP433XW34, ATEE9ASP435XW34, ATEE9ASP453LW26, ATEE9ASP455LN01, ATEE9ASP455LW01, ATEE9ASP543DN04, ATEE9ASP543DW04, ATEE9ASP545DW04, ATEE9ASP565XW01, ATEE9AWP433AW01, ATEE9AWP435AW01, ATGE9AGP305AW01, ATGE9ASP303XW01, ATGE9ASP303XW26, ATGE9ASP305XW01, ATGE9ASP543DN04, ATGE9ASP543DW04, ATGE9ASP545DW04, ATGE9AWP303AW01, ATGE9AWP305AW01, ATHE9ASP453NW29, ATHE9ASP455NN29, ATHE9ASP455NW29, FTEE5ASP303NW10, FTEE5ASP303ZW01, FTEE5ASP433LW01, FTGE5ASP303NW10, LTEE5ASP303WW01, LTEE5ASP303WW37, LTEE5ASP303ZW01, LTEE5ASP333NW01, LTEE5ASP433AW01, LTEE5ASP433AW12, LTEE5ASP453VW26, LTEE5ASP543NW01, LTEE5ASP543NW23, LTEE5ASP543RW01, LTEE5ASP553KW01, LTGE5ASP303AW01, LTGE5ASP303AW12, LTLE5ASP543NW23, LTME5ASP543KW01, PTEE3FSP433AG01, PTGE3FSP303AG01, TTHE5ASP303NW36, TTPE5ASP303NW36, YTEE5ASP303NW10 and YTGE5ASP303NW21
	805771	Pump-to-Gravity Drain Kit	All other models
1	33615	Drain Hose Sleeve	
2	33489	Standpipe Strap	
3	36014	Retainer Clip	
4	803976	Drain Hose	
5	32219	Strain Relief	
6	38732	Hose Stand	
7	F200204	Hose Clamp	
8	D503661	Screw	
9	805561	Drain Pump Drip Shield	Models ATEE9AGP435AW01, ATEE9ASP133DN04, ATEE9ASP133DW04, ATEE9ASP433XW34, ATEE9ASP435XW34, ATEE9ASP453LW26, ATEE9ASP455LN01, ATEE9ASP455LW01, ATEE9ASP543DN04, ATEE9ASP543DW04, ATEE9ASP545DW04, ATEE9ASP565XW01, ATEE9AWP433AW01, ATEE9AWP435AW01, ATGE9AGP305AW01, ATGE9ASP123DN04, ATGE9ASP123DW04, ATGE9ASP125DW04, ATGE9ASP303XW01, ATGE9ASP303XW26, ATGE9ASP305XW01, ATGE9ASP543DN04, ATGE9ASP543DW04, ATGE9ASP545DW04, ATGE9AWP303AW01, ATGE9AWP305AW01, ATHE9ASP453NW29, ATHE9ASP455NN29, ATHE9ASP455NW29, ATLE9ASP305LW01, FTEE5ASP303ZW01, FTEE5ASP433LW01, LTEE5AGP133ZW30, LTEE5ASP133FW01, LTEE5ASP303WW01, LTEE5ASP303WW37, LTEE5ASP303ZW01, LTEE5ASP433AW01, LTEE5ASP433AW12, LTEE5ASP453VW26, LTEE5ASP543NW23, LTEE5ASP543RW01, LTEE5ASP553KW01, LTGE5ASP113FW01, LTGE5ASP113JW01, LTGE5ASP303AW01, LTGE5ASP303AW12, LTLE5ASP303LW01, LTME5ASP543KW01, PTEE3FSP433AG01, PTGE3FSP303AG01, TTHE5ASP303NW36, TTPE5ASP303NW36, YTEE5ASP133FW01 and YTGE5ASP113FW01

Drain Hose and Pump (Drawing 2 of 2)

All Models Except ATEE9ASG453NW36 and ATEE9ASG455NW36

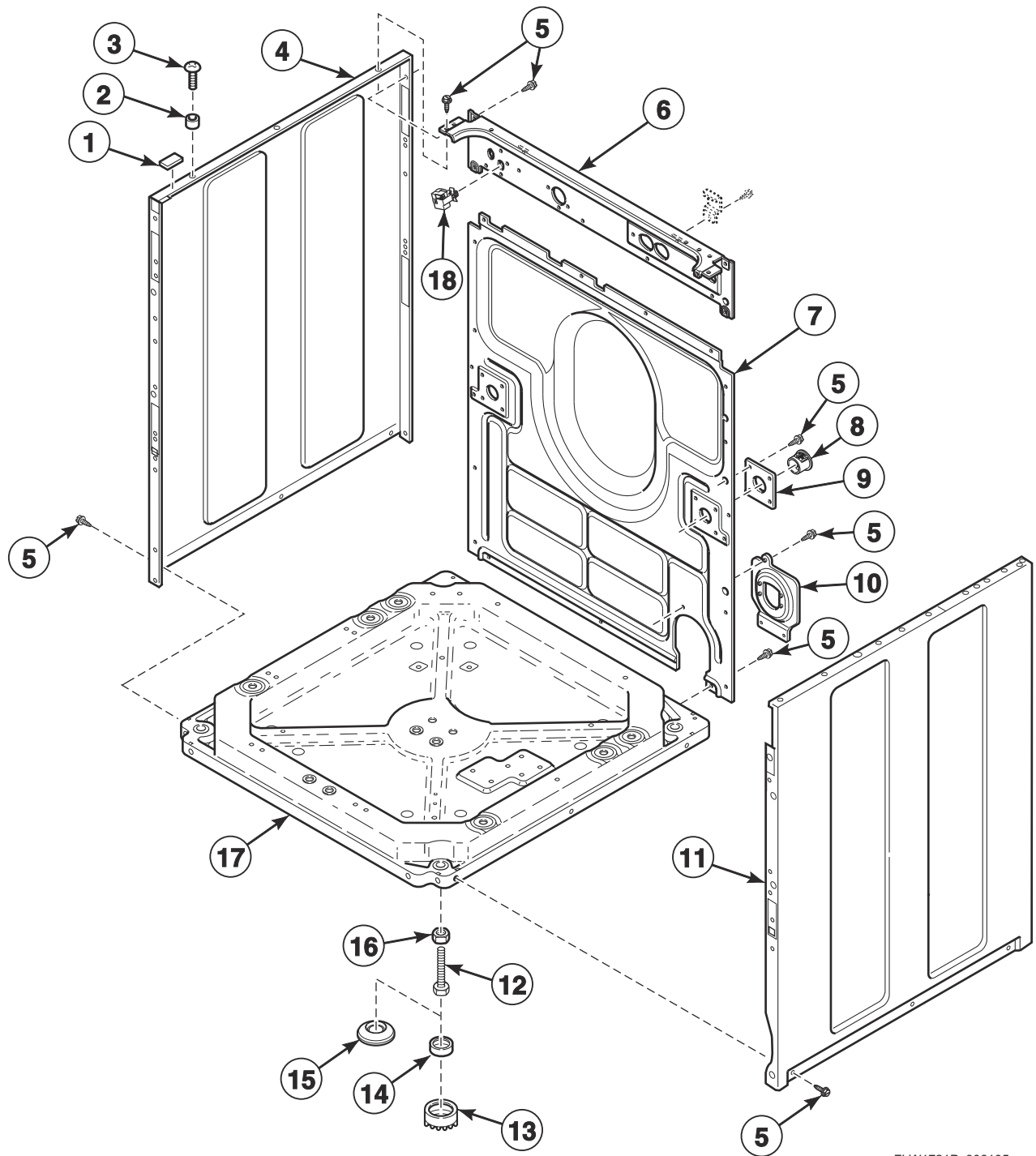


FLW1783PA_806105

Drain Hose and Pump (Drawing 2 of 2)

REF	PART NO.	DESCRIPTION	COMMENTS
1	D503661	Screw	
2	803814	Drain Base Bracket	
3	802431	Screw	
4	802429P	O-Ring	
5	803815	Drain Pump Isolator	
6	805722P	Drain Pump Assembly	Models ATEE9ASP543DN04, ATEE9ASP543DW04, ATEE9ASP545DW04, ATGE9ASP543DN04, ATGE9ASP543DW04, ATGE9ASP545DW04, LTEE5ASP333NW01, LTEE5ASP543NW01, LTEE5ASP543NW23, LTEE5ASP543RW01, LTLE5ASP543NW23 and LTME5ASP543KW01
	803922	Drain Pump Assembly	Models ATEE9AGP435AW01, ATEE9ASP433XW34, ATEE9ASP435XW34, ATEE9ASP453LW26, ATEE9ASP455LN01, ATEE9ASP455LW01, ATEE9ASP565XW01, ATEE9AWP433AW01, ATEE9AWP435AW01, ATGE9AGP305AW01, ATGE9ASP303XW26, ATGE9AWP303AW01, ATGE9AWP305AW01, ATHE9ASP453NW29, ATHE9ASP455NN29, ATHE9ASP455NW29, ATLE9ASP305LW01, FTEE5ASP303NW10, FTEE5ASP303ZW01, FTEE5ASP433LW01, FTGE5ASP303NW10, LTEE5ASP303WW01, LTEE5ASP303WW37, LTEE5ASP303ZW01, LTEE5ASP433AW01, LTEE5ASP433AW12, LTEE5ASP453VW26, LTEE5ASP543RW01, LTEE5ASP553KW01, LTGE5ASP303AW01, LTGE5ASP303AW12, LTLE5ASP303LW01, LTLE5ASP303NW35, PTEE3FSP433AG01, PTGE3FSP303AG01, TTHE5ASP303NW36, TTPE5ASP303NW36, YTEE5ASP303NW10 and YTGE5ASP303NW21
	805724P	Drain Pump Assembly	All other models
7	802434P	Pump Housing Assembly	Includes items 8-10
8	802428	Pump Housing	
9	802427	Gasket	
10	802426P	Lid Assembly	Includes filter
11	F200204	Hose Clamp	
12	803816	Tub-to-Pump Hose	Models ATHE9ASP453NW29, ATHE9ASP455NN29, ATHE9ASP455NW29, TTHE5ASP303NW36 and TTPE5ASP303NW36
	803829	Tub-to-Pump Hose	All other models
	27615P	Sealant	Tub-to-pump hose to outer tub

Base, Side Panels and Rear Panel



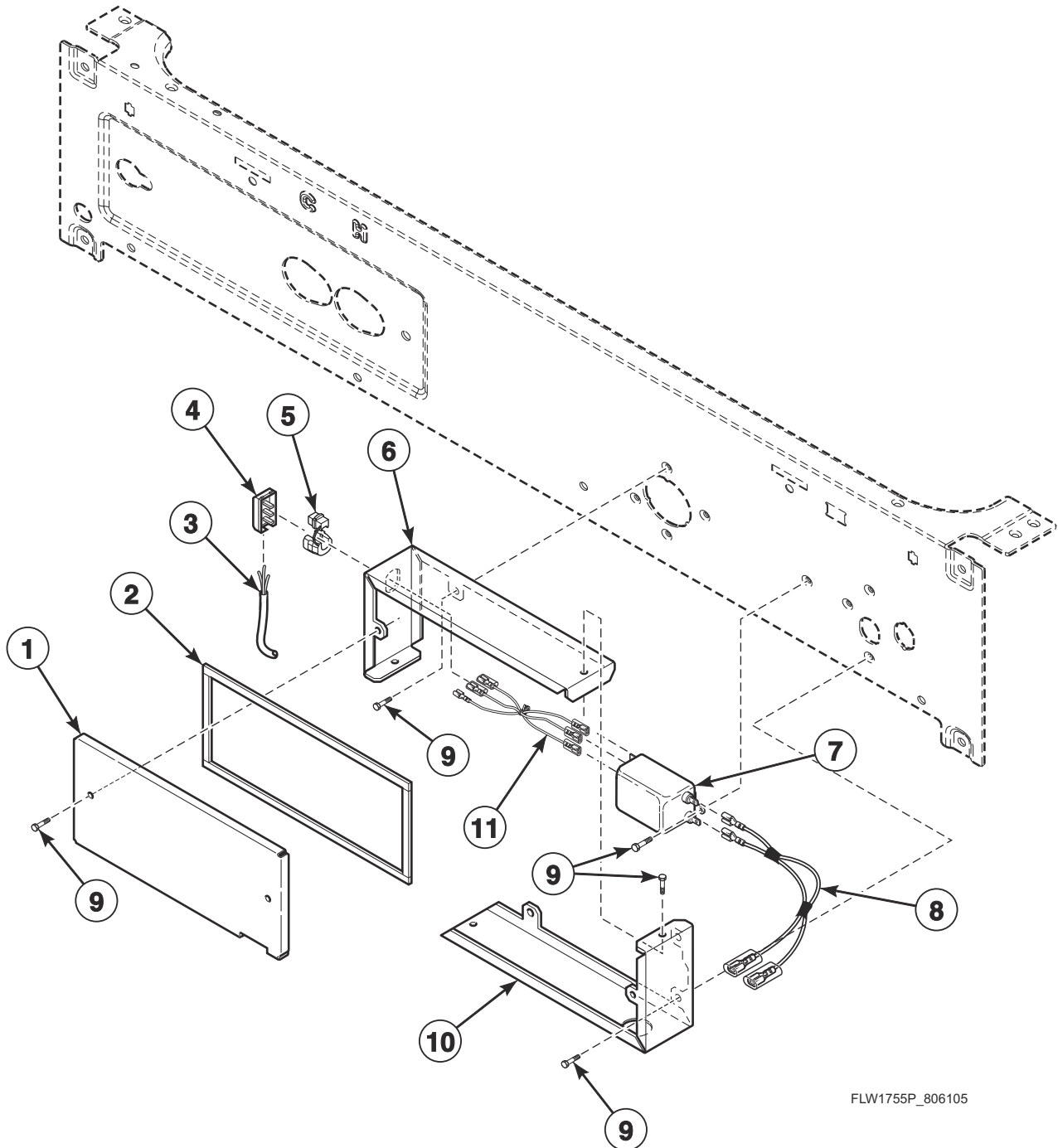
FLW1721P_806105

Base, Side Panels and Rear Panel

REF	PART NO.	DESCRIPTION	COMMENTS
	122P4P	Porcelain Touch-Up Paint	White
	806436P	Paint	Gray
1	36226	Bumper Pad	
2	56079	Panel Locator	
3	39733	Screw	Use with painted panels
	806276	Screw	Use with stainless steel panels
4	800004WP	Cabinet Panel Kit	Left; White; Includes corner gusset with hardware
	800004DG	Cabinet Side Panel	Left; Dark gray
	802525P	Cabinet Side Panel	Left; Stainless steel
5	D503661	Screw	Use with painted panels
	D512921	Screw	Use with stainless steel panels
6	803790	Rear Panel	Fixed; Through Serial No. 1810000001
	806716	Rear Panel	Fixed; Starting Serial No. 1810000001
7	803789	Rear Panel	Removable
8	803859	Shipping Plug	
9	803851	Shipping Plate	
10	803833	Gravity Drain Bracket	Models ATEE9ASG453NW36 and ATEE9ASG455NW36
	803828	Drain Hose Bracket	All other models
11	806492	Side Panel Kit	Right; White
	800005DG	Cabinet Side Panel	Right; Dark gray
	802526P	Cabinet Side Panel	Right; Stainless steel
12	34319	Leveling Leg	
13	D501855	Rubber Foot	Use to prevent movement on smooth surface floor coverings; Install over 2 existing front rubber feet (item 14)
14	34318	Rubber Foot	
15	155P3	Anchor	Includes 4 rubber discs with adhesive backing
	802844P	Anchor Floor Mount Assembly	Includes 2 rubber discs with adhesive backing
16	21899	Nut	
17	803876	Base Assembly	
18	203843	Pressure Sensor	

Washer Junction Box

Models ATEE9AGP435AW01, ATEE9ASG453NW36, ATEE9ASG455NW36, ATEE9ASP133DN04, ATEE9ASP133DW04, ATEE9ASP433XW34, ATEE9ASP435XW34, ATEE9ASP453LW26, ATEE9ASP455LN01, ATEE9ASP455LW01, ATEE9ASP543DN04, ATEE9ASP543DW04, ATEE9ASP545DW04, ATEE9ASP565XW01, ATEE9AWP433AW01, ATEE9AWP435AW01, ATGE9AGP305AW01, ATGE9ASP123DN04, ATGE9ASP123DW04, ATGE9ASP125DW04, ATGE9ASP303XW01, ATGE9ASP303XW26, ATGE9ASP305XW01, ATGE9ASP543DN04, ATGE9ASP543DW04, ATGE9ASP545DW04, ATGE9AWP303AW01, ATGE9AWP305AW01, ATLE9ASP305LW01, FTEE5ASP303NW10, FTEE5ASP303ZW01, FTEE5ASP433LW01, FTGE5ASP303NW10, LTEE5AGP133ZW30, LTEE5ASP133FW01, LTEE5ASP303WW01, LTEE5ASP303WW37, LTEE5ASP303ZW01, LTEE5ASP333NW01, LTEE5ASP433AW01, LTEE5ASP433AW12, LTEE5ASP453VW26, LTEE5ASP543NW01, LTEE5ASP543NW23, LTEE5ASP543RW01, LTEE5ASP553KW01, LTGE5ASP113FW01, LTGE5ASP113JW01, LTGE5ASP303AW01, LTGE5ASP303AW12, LTLE5ASP303LW01, LTLE5ASP303NW35, LTLE5ASP543NW23, LTME5ASP543KW01, PTEE3FSP433AG01, PTGE3FSP303AG01, YTEE5ASP133FW01, YTEE5ASP303NW10, YTGE5ASP113FW01 and YTGE5ASP303NW21

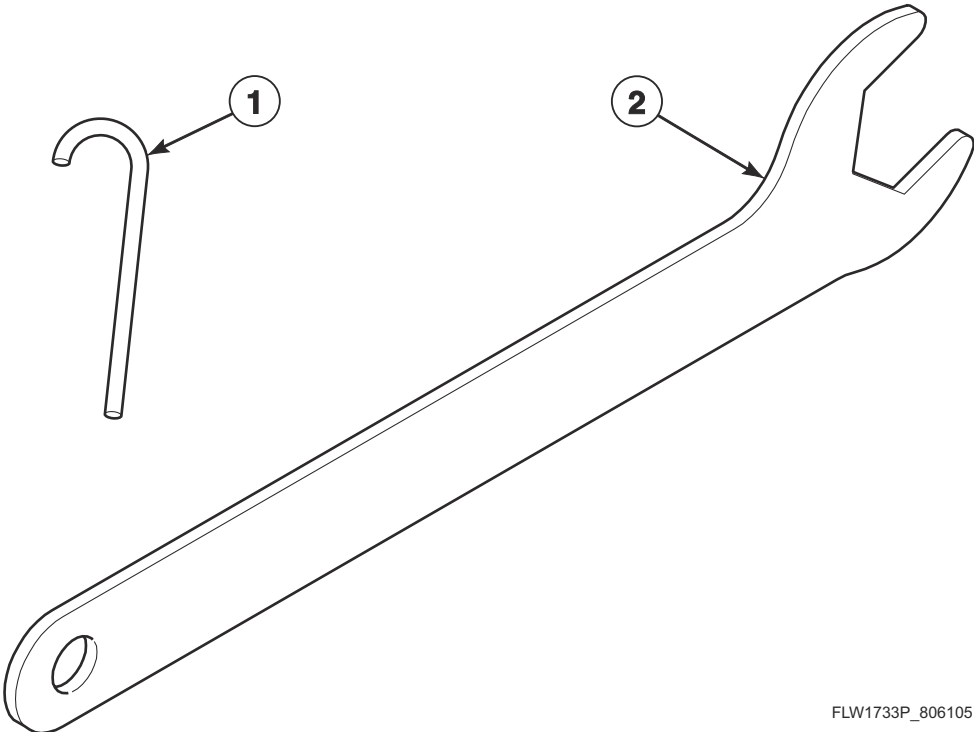


FLW1755P_806105

Washer Junction Box

REF	PART NO.	DESCRIPTION	COMMENTS
1	803820	Junction Box Cover	
2	803832P	Junction Box Seal	
3	801450	Power Cord Assembly	Models FTEE5ASP303NW10, FTEE5ASP303ZW01, FTGE5ASP303NW10, LTEE5ASP303ZW01, LTEE5ASP333NW01, LTEE5ASP543NW01 and YTEE5ASP303NW10
	39926	Lead-In Cord	Models LTEE5ASP453VW26, LTEE5ASP543NW23 and LTLE5ASP543NW23
	204061	Power Cord Assembly	Models LTEE5AGP133ZW30 and LTGE5ASP113JW01
	39931	Power Cord Assembly	Models ATEE9AGP435AW01, ATEE9AWP433AW01, ATEE9AWP435AW01, ATGE9AGP305AW01, ATGE9AWP303AW01, ATGE9AWP305AW01, LTEE5ASP433AW01, LTEE5ASP433AW12, LTGE5ASP303AW01, LTGE5ASP303AW12, PTEE3FSP433AG01 and PTGE3FSP303AG01
	802012	Power Cord Assembly	Models LTEE5ASP133FW01, LTGE5ASP113FW01, YTEE5ASP133FW01 and YTGE5ASP113FW01
	39925	Power Cord Assembly	Models ATEE9ASP433XW34, ATEE9ASP435XW34, ATEE9ASP565XW01, ATGE9ASP303XW01, ATGE9ASP303XW26, ATGE9ASP305XW01, LTEE5ASP543RW01 and LTLE5ASP303NW35
	804556	Lead-In Cord Assembly	Models ATEE9ASP133DN04, ATEE9ASP133DW04, ATEE9ASP543DN04, ATEE9ASP543DW04, ATEE9ASP545DW04, ATGE9ASP123DN04, ATGE9ASP123DW04, ATGE9ASP125DW04, ATGE9ASP543DN04, ATGE9ASP543DW04 and ATGE9ASP545DW04
	39929	Power Cord Assembly	Models ATEE9ASG453NW36 and ATEE9ASG455NW36
	202405	Lead-In Cord	Models LTEE5ASP303WW01 and LTEE5ASP303WW37
	805974	Lead-In Cord	Models ATEE9ASP453LW26, ATEE9ASP455LN01, ATEE9ASP455LW01, ATLE9ASP305LW01, FTEE5ASP433LW01 and LTLE5ASP303LW01
	805844	Lead-In Cord	Models LTEE5ASP553KW01 and LTME5ASP543KW01
	805732	Power Cord Assembly	Model YTGE5ASP303NW21
4	39922	Cable Connection Box	All models except LTEE5AGP133ZW30 and LTGE5ASP113JW01
5	60298	Strain Relief	Models LTEE5AGP133ZW30 and LTGE5ASP113JW01
	38384	Strain Relief	All other models
6	804559	Junction Box	Upper; Models LTEE5AGP133ZW30 and LTGE5ASP113JW01
	803818	Junction Box	Upper; All other models
7	805633	Line Filter	Models PTEE3FSP433AG01 and PTGE3FSP303AG01; All other models starting Serial Nos. beginning 1610
8	804396	Filter Harness	Filter to main harness; Models ATGE9ASP303XW01, ATGE9ASP303XW26, ATGE9ASP305XW01, ATLE9ASP305LW01, LTEE5AGP133ZW30, LTGE5ASP113JW01, LTLE5ASP303LW01, PTEE3FSP433AG01 and PTGE3FSP303AG01; All other models starting Serial Nos. beginning 1610
	804797	Filter Harness	Filter to main harness; All other models through Serial Nos. beginning 1610
9	D503661	Screw	
10	803819	Junction Box	Lower
11	804805	Filter Jumper Harness	Filter to terminal block; All models except LTEE5AGP133ZW30, LTGE5ASP113JW01, PTEE3FSP433AG01 and PTGE3FSP303AG01 through Serial Nos. beginning 1610
	801420	Filter Jumper Harness	Filter to terminal block; All models except LTEE5AGP133ZW30, LTGE5ASP113JW01, PTEE3FSP433AG01 and PTGE3FSP303AG01 starting Serial Nos. beginning 1610; Models PTEE3FSP433AG01 and PTGE3FSP303AG01

Special Tools

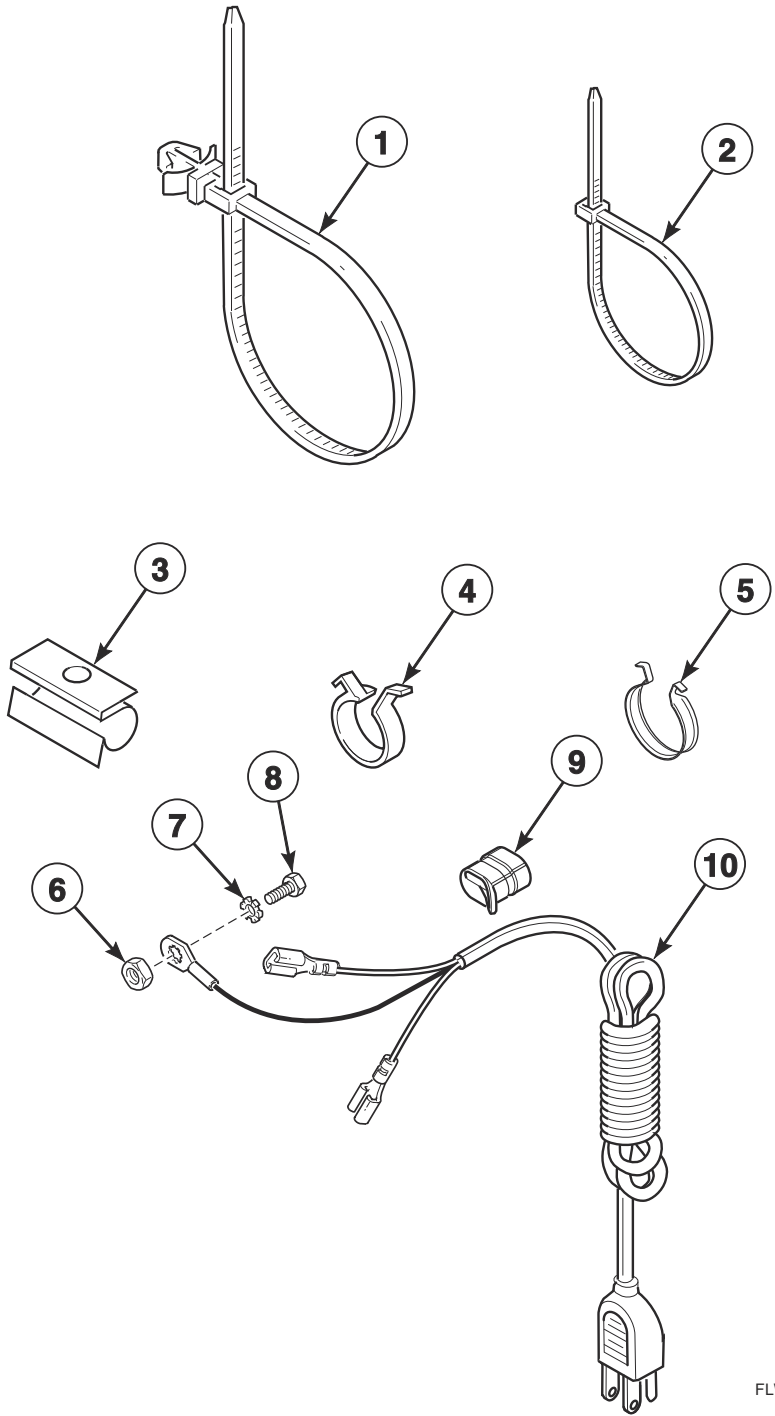


FLW1733P_806105

Special Tools

REF	PART NO.	DESCRIPTION	COMMENTS
1	802336	Pulley Bolt Tightening Fixture	Use to install inner basket
2	392P4	Wrench	Use for adjusting leveling leg nuts

Washer Lead-In Cord, Wire Ties and Harness Clips



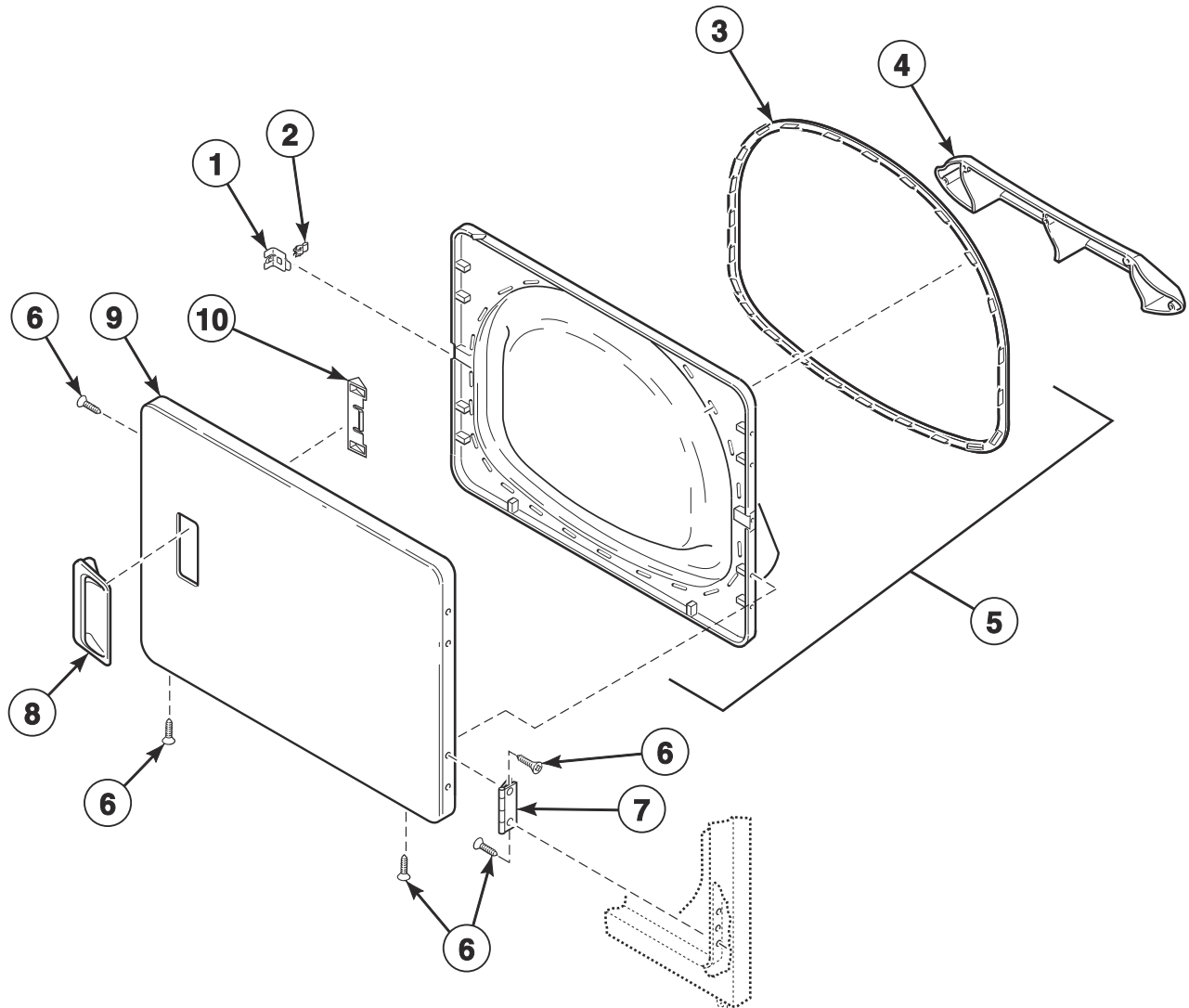
FLW823P_806105

Washer Lead-In Cord, Wire Ties and Harness Clips

REF	PART NO.	DESCRIPTION	COMMENTS		
1	38663	Wire Tie			
2	55881	Harness Strap			
3	36985	Hose Clip			
4	D504034	Wire Clip	Small		
5	687500	Wire Clip	Large		
6	03673	Nut			
7	03815	Washer			
8	20530	Screw			
9	806511	Strain Relief	Models ATHE9ASP453NW29, TTHE5ASP303NW36 and TTPE5ASP303NW36		
	806508	Strain Relief Plate	Models ATHE9ASP453NW29, TTHE5ASP303NW36 and TTPE5ASP303NW36		
	38384	Strain Relief	All other models		
10	202777	Lead-In Cord	Models BTEE6ASP173TW01, BTGE6ASP113TW01, LTEA5FSP153TW01, LTEA5FSP153TW04, LTEA5FSP173TW01, LTEA5FSP173TW04, LTEE5ASP153TW01, LTEE5ASP155TW01, LTEE5ASP173TW01, LTEE5ASP175TW01, LTEE5FSP175TW01, LTEE5FSP275TW01, LTGA5FSP113TW01, LTGE5ASP113TW01, LTGE5ASP115TW01, LTGE5FSP115TW01, PTEE3FSP173TG01, PTEE3FSP175TG01, PTEE3FSP175TW01, PTEE3FSP283CG01, PTEE3FSP285CG01, PTGE3FSP093CG01, PTGE3FSP095CG01, PTGE3FSP113TG01, PTGE3FSP115TG01, PTGE3FSP115TW01, UTEE5ASP173TW01, UTEE5ASP173TW08, UTEE5ASP175TW01, UTEE5ASP175TW08, UTGE5ASP113TW01, UTGE5ASP113TW08, UTGE5ASP115TW01, UTGE5ASP115TW08, YTEE5ASP173TW01, YTEE5ASP175TW01, YTGE5ASP113TW01 and YTGE5ASP115TW01		
			806179	Power Cord Assembly	Models ATEE9ASG455NW36 and ATHE9ASP453NW29
			807034	Lead-In Cord	Models TTHE5ASP303NW36 and TTPE5ASP303NW36

Dryer Door Without Window

Models ATEE9ASP133DN04, ATEE9ASP285CW01, ATEE9ASP285CW14, ATEE9ASP455LN01, ATEE9ASP543DN04, ATGE9ASP095CW01, ATGE9ASP095CW14, ATGE9ASP123DN04, ATGE9ASP543DN04, LTEE5AGP133ZW30, PTEE3FSP173TG01, PTEE3FSP175TG01, PTEE3FSP175TW01, PTEE3FSP283CG01, PTEE3FSP285CG01, PTEE3FSP433AG01, PTGE3FSP093CG01, PTGE3FSP095CG01, PTGE3FSP113TG01, PTGE3FSP115TG01, PTGE3FSP115TW01 and PTGE3FSP303AG01



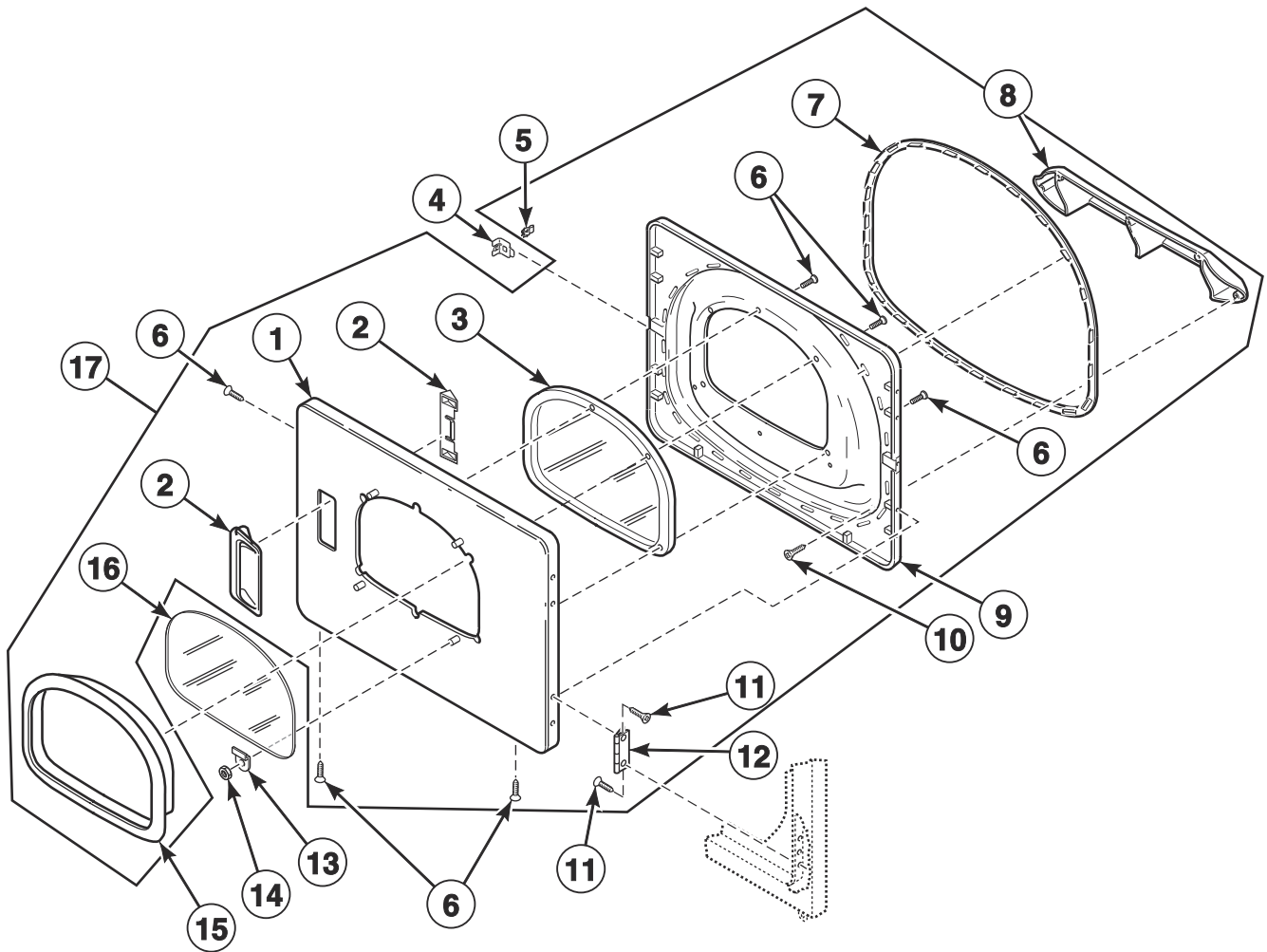
DRY2468P_806105

Dryer Door Without Window

REF	PART NO.	DESCRIPTION	COMMENTS
1	D510127	Door Strike Mount	All models except ATEE9ASP285CW01, ATEE9ASP285CW14, ATGE9ASP095CW01 and ATGE9ASP095CW14
2	D510181	Door Strike	
3	D510147P	Liner Door Seal	All models except ATEE9ASP285CW01, ATEE9ASP285CW14, ATGE9ASP095CW01 and ATGE9ASP095CW14
4	D503870W	Door Liner Grill	Models ATEE9ASP285CW01, ATEE9ASP285CW14, ATGE9ASP095CW01 and ATGE9ASP095CW14
	D503870LG	Door Liner Grill	Model ATEE9ASP455LN01
5	D510163WP	Liner, Seal and Grill Assembly	Includes item 3 and grill; Models LTEE5AGP133ZW30, PTEE3FSP433AG01 and PTGE3FSP303AG01 ATEE9ASP285CW01, ATEE9ASP285CW14, ATGE9ASP095CW01, ATGE9ASP095CW14, LTEE5AGP133ZW30, PTEE3FSP433AG01 and PTGE3FSP303AG01; Model PTGE3FSP113TG01 through Serial No. 1606000838
	D516510WP	Liner, Seal and Grill Assembly	Includes item 3 and grill; Models ATEE9ASP133DN04, ATEE9ASP543DN04, ATGE9ASP123DN04, ATGE9ASP543DN04, PTEE3FSP173TG01, PTEE3FSP175TG01, PTEE3FSP175TW01, PTEE3FSP283CG01, PTEE3FSP285CG01, PTGE3FSP093CG01, PTGE3FSP095CG01, PTGE3FSP115TG01 and PTGE3FSP115TW01; Model PTGE3FSP113TG01 starting Serial No. 1606000839
	D516508	Door Liner Assembly	Includes seal; Models ATEE9ASP285CW01, ATEE9ASP285CW14, ATEE9ASP455LN01, ATGE9ASP095CW01 and ATGE9ASP095CW14
6	D500226	Screw	
7	D511036	Hinge	
8	D512947	Door Pull	Light gray
	D511213P	Door Pull and Wedge Kit	Black; Includes item 10
	D510103WP	Door Pull and Wedge Kit	Models ATEE9ASP285CW01, ATEE9ASP285CW14, ATGE9ASP095CW01 and ATGE9ASP095CW14; Includes item 10
9	D515960W	Dryer Door	Models ATEE9ASP285CW01, ATEE9ASP285CW14, ATGE9ASP095CW01 and ATGE9ASP095CW14
	D515963	Dryer Door	Stainless steel; Model ATEE9ASP455LN01
	D510013DG	Dryer Door	Dark gray; All other models
	D510013WP	Dryer Door	White; All other models
	D512969	Dryer Door	Stainless steel; All other models
10	D510129W	Door Handle Wedge	Models LTEE5AGP133ZW30, PTEE3FSP433AG01 and PTGE3FSP303AG01 ATEE9ASP285CW01, ATEE9ASP285CW14, ATGE9ASP095CW01, LTEE5AGP133ZW30, PTEE3FSP433AG01 and PTGE3FSP303AG01; Model PTGE3FSP113TG01 through Serial No. 1606000838
	D510103WP	Door Pull and Wedge Kit	Models ATEE9ASP133DN04, ATEE9ASP543DN04, ATGE9ASP123DN04, ATGE9ASP543DN04, PTEE3FSP173TG01, PTEE3FSP175TG01, PTEE3FSP175TW01, PTEE3FSP283CG01, PTEE3FSP285CG01, PTGE3FSP093CG01, PTGE3FSP095CG01, PTGE3FSP115TG01 and PTGE3FSP115TW01; Model PTGE3FSP113TG01 starting Serial No. 1606000839

Dryer Door With Window (Drawing 1 of 2)

Models ATEE9ASP283CW01, ATGE9ASP093CW01, BTEE6ASP173TW01, BTEE6ASP283CW01, LTEA5FSP153TW01, LTEA5FSP153TW04, LTEA5FSP173TW01, LTEA5FSP173TW04, LTEE5ASP153TW01, LTEE5ASP155TW01, LTEE5ASP173TW01, LTEE5ASP175TW01, LTEE5ASP283CW01, LTEE5ASP285CW01, LTEE5ASP293CW01, LTEE5ASP295CW01, LTEE5FSP175TW01, LTEE5FSP275TW01, LTGE5ASP093CW01, LTGE5ASP095CW01, LTGE5FSP115TW01, UTEE5ASP173TW01, UTEE5ASP173TW08, UTEE5ASP175TW01, UTEE5ASP175TW08, UTEE5ASP283CW01, UTEE5ASP285CW01, YTEE5ASP173TW01, YTEE5ASP175TW01, YTEE5ASP283CW01 and YTEE5ASP285CW01



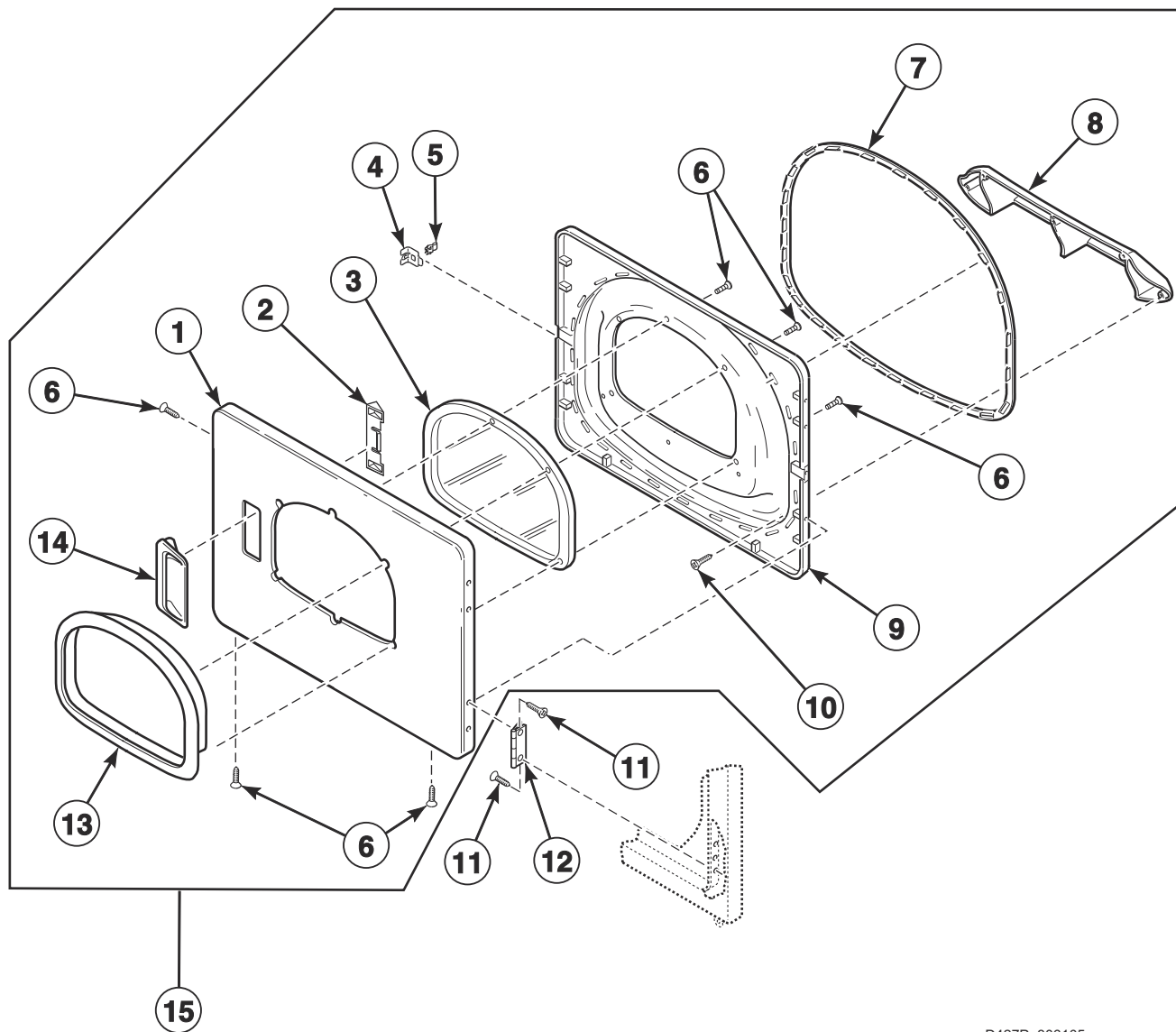
DRY2296P_806105

Dryer Door With Window (Drawing 1 of 2)

REF	PART NO.	DESCRIPTION	COMMENTS
1	D516737W	Door Assembly	Through Serial Nos. beginning 1707
	D515961W	Dryer Door	Starting Serial Nos. beginning 1707
2	D510103WP	Door Pull and Wedge Kit	
3	D503982P	Dryer Door Window	Through Serial Nos. beginning 1707
	D515681	Dryer Door Window	Glass; Starting Serial Nos. beginning 1707
4	D510127	Door Strike Mount	Through Serial Nos. beginning 1707
5	D510181	Door Strike	
6	D515597	Screw	Through Serial Nos. beginning 1707
	D515967	Screw	Starting Serial Nos. beginning 1707
7	D510147P	Liner Door Seal	Through Serial Nos. beginning 1707
	D515709	Liner Door Seal	Starting Serial Nos. beginning 1707
8	D503870LG	Door Liner Grill	Through Serial Nos. beginning 1707
	D503870W	Door Liner Grill	Starting Serial Nos. beginning 1707
9	D516737W	Door Assembly	Includes item 7; Through Serial Nos. beginning 1707
	D516509	Liner and Seal Assembly	Includes item 7; Starting Serial Nos. beginning 1707
10	D505870	Screw	
11	D505295	Screw	
12	D511036	Hinge	
13	D513958	Window Clip	Through Serial Nos. beginning 1707
14	44071201	Nut	Through Serial Nos. beginning 1707
15	D516737W	Door Assembly	Through Serial Nos. beginning 1707
	D515956W	Window Trim	Starting Serial Nos. beginning 1707
16	D516737W	Door Assembly	Through Serial Nos. beginning 1707
17	D516737W	Door Assembly	Includes items 1-3, 5-12, 15 and 16; Starting Serial Nos. beginning 1707

Dryer Door With Window (Drawing 2 of 2)

Models ATEE9AGP435AW01, ATEE9ASG453NW36, ATEE9ASG455NW36, ATEE9ASP133DW04, ATEE9ASP433XW34, ATEE9ASP435XW34, ATEE9ASP453LW26, ATEE9ASP455LW01, ATEE9ASP543DW04, ATEE9ASP545DW04, ATEE9ASP565XW01, ATEE9AWP433AW01, ATEE9AWP435AW01, ATGE9AGP305AW01, ATGE9ASP123DW04, ATGE9ASP125DW04, ATGE9ASP303XW01, ATGE9ASP303XW26, ATGE9ASP305XW01, ATGE9ASP543DW04, ATGE9ASP545DW04, ATGE9AWP303AW01, ATGE9AWP305AW01, ATHE9ASP453NW29, ATHE9ASP455NW29, ATLE9ASP305LW01, FTEE5ASP303NW10, FTEE5ASP303ZW01, FTEE5ASP433LW01, FTGE5ASP303NW10, LTEE5ASP133FW01, LTEE5ASP303WW01, LTEE5ASP303WW37, LTEE5ASP303ZW01, LTEE5ASP333NW01, LTEE5ASP433AW01, LTEE5ASP433AW12, LTEE5ASP453VW26, LTEE5ASP543NW01, LTEE5ASP543NW23, LTEE5ASP543RW01, LTEE5ASP553KW01, LTGE5ASP113FW01, LTGE5ASP113JW01, LTGE5ASP303AW01, LTGE5ASP303AW12, LTLE5ASP303LW01, LTLE5ASP303NW35, LTLE5ASP543NW23, LTME5ASP543KW01, TTEE5ASP303NW36, TTPE5ASP303NW36, YTEE5ASP133FW01, YTEE5ASP303NW10, YTGE5ASP113FW01 and YTGE5ASP303NW21



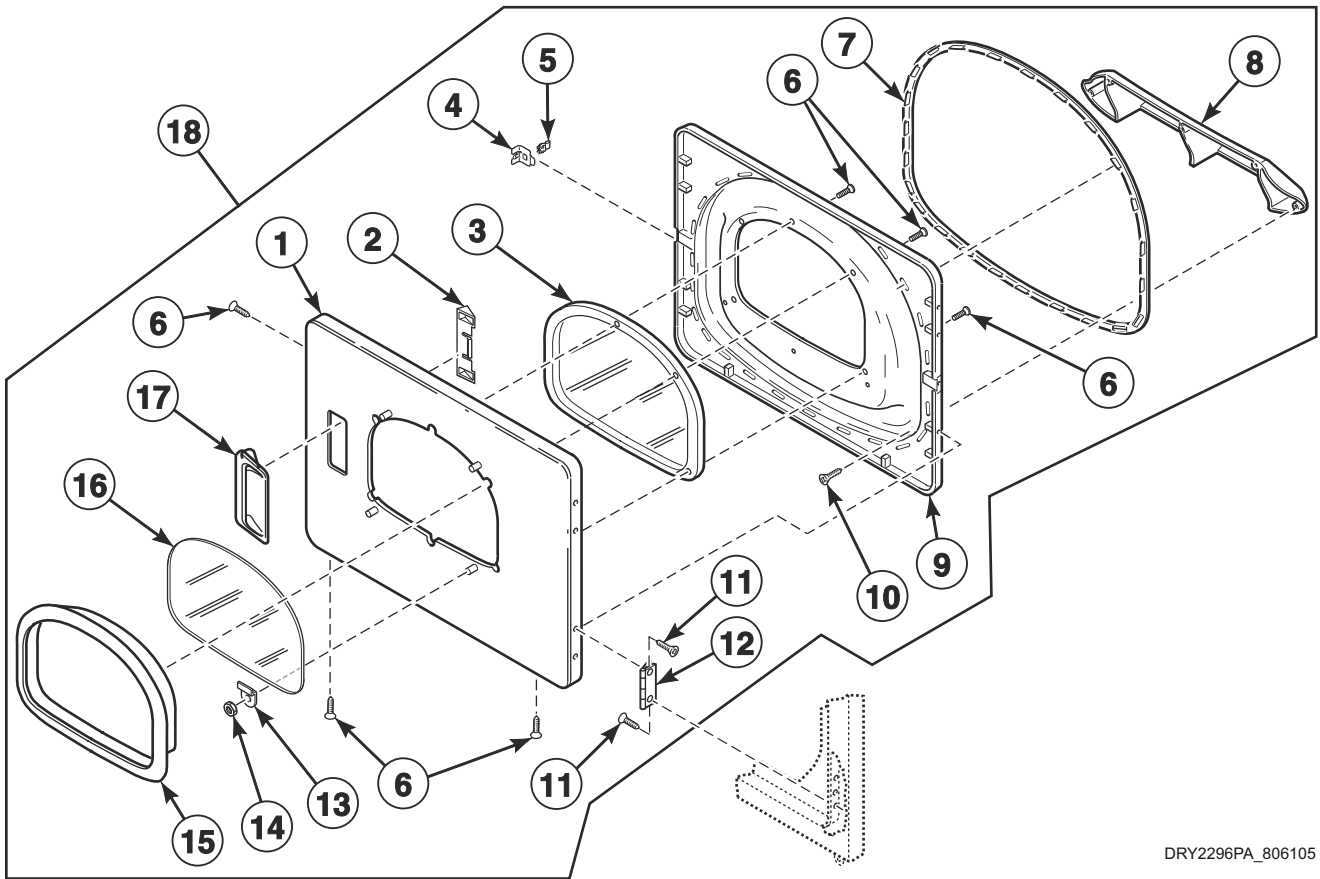
D427P_806105

Dryer Door With Window (Drawing 2 of 2)

REF	PART NO.	DESCRIPTION	COMMENTS
1	D510082WP	Dryer Door	
2	D510129W	Door Handle Wedge	
3	D503982P	Dryer Door Window	
4	D510127	Door Strike Mount	
5	D510181	Door Strike	
6	D500226	Screw	
7	D510147P	Liner Door Seal	
8	D503870W	Door Liner Grill	
9	D510098W	Liner and Seal Assembly	Includes item 7
10	D505870	Screw	
11	D505295	Screw	
12	D511036	Hinge	
13	D503981W	Window Trim	
14	D510103WP	Door Pull and Wedge Kit	White; Includes item 2
15	D516737W	Door Assembly	White; Includes items 1-10, 13, and 14

Dryer Door With Window - Through Serial Nos. Beginning 1707

Models BTGE6ASP093CW01, BTGE6ASP113TW01, LTGA5FSP113TW01, LTGE5ASP113TW01, LTGE5ASP115TW01, UTGE5ASP113TW01, UTGE5ASP113TW08, UTGE5ASP115TW01, UTGE5ASP115TW08, YTGE5ASP093CW01, YTGE5ASP095CW01, YTGE5ASP113TW01 and YTGE5ASP115TW01



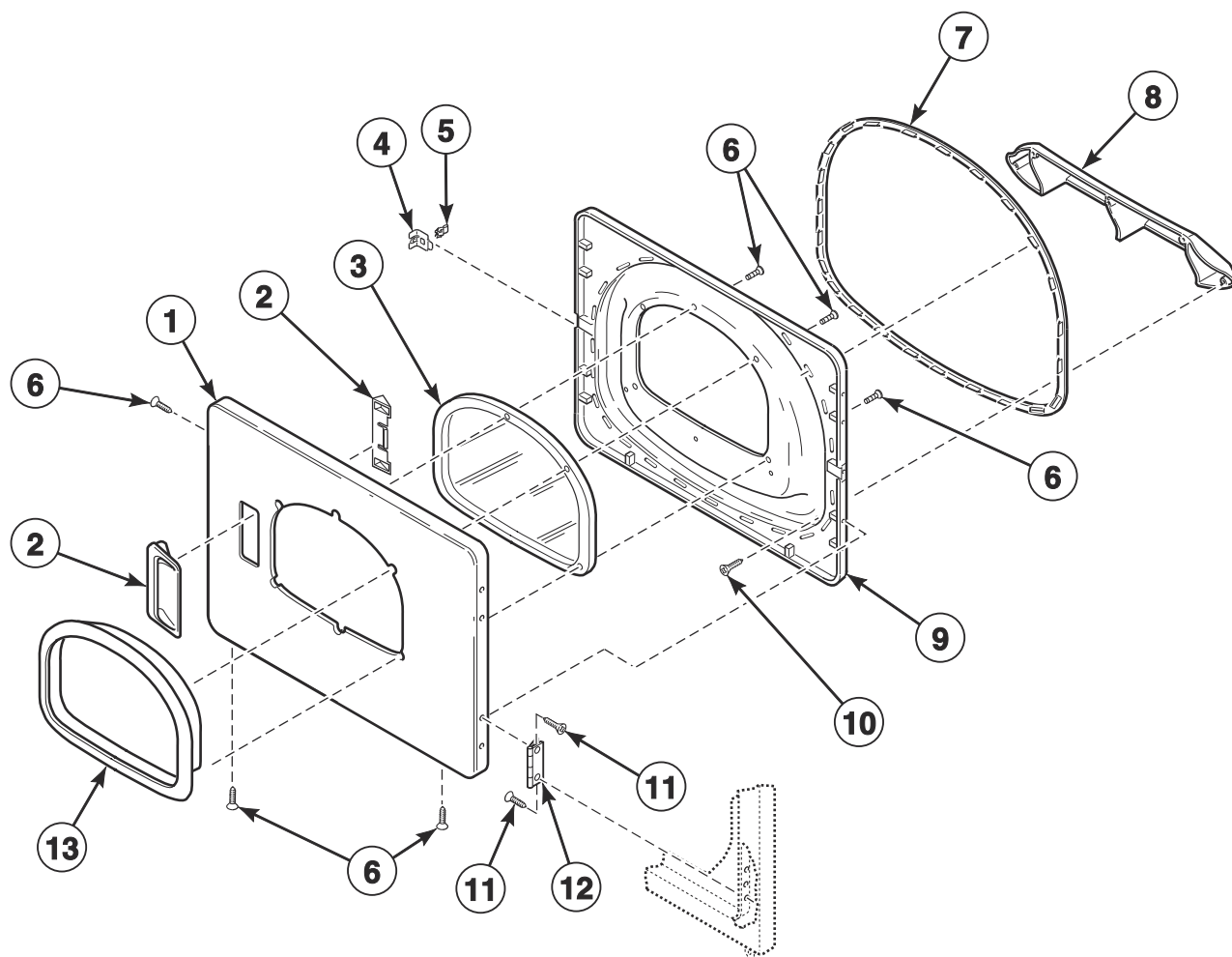
DRY2296PA_806105

Dryer Door With Window - Through Serial Nos. Beginning 1707

REF	PART NO.	DESCRIPTION	COMMENTS
1	D516737W	Door Assembly	Starting Serial No. 1606000839
	D510082WP	Dryer Door	Through Serial No. 1606000838
2	D510129W	Door Handle Wedge	
3	D503982P	Dryer Door Window	
4	D510127	Door Strike Mount	
5	D510181	Door Strike	
6	D515597	Screw	Starting Serial No. 1606000839
	D500226	Screw	Through Serial No. 1606000838
7	D510147P	Liner Door Seal	
8	D503870LG	Door Liner Grill	Starting Serial No. 1606000839
	D503870W	Door Liner Grill	Through Serial No. 1606000838
9	D516737W	Door Assembly	Includes item 7; Starting Serial No. 1606000839
	D510098W	Liner and Seal Assembly	Includes item 7; Through Serial No. 1606000838
10	D505870	Screw	
11	D505295	Screw	
12	D511036	Hinge	
13	D513958	Window Clip	Starting Serial No. 1606000839
14	44071201	Nut	Starting Serial No. 1606000839
15	D516737W	Door Assembly	Starting Serial No. 1606000839
	D503981W	Window Trim	Through Serial No. 1606000838
16	D516737W	Door Assembly	Starting Serial No. 1606000839
17	D510103WP	Door Pull and Wedge Kit	White; Includes item 2
18	D516737W	Door Assembly	White; Includes items 1-10 and 17; Through Serial No. 1606000838

Dryer Door With Window - Starting Serial Nos. Beginning 1707

Models BTGE6ASP093CW01, BTGE6ASP113TW01, LTGA5FSP113TW01, LTGE5ASP113TW01, LTGE5ASP115TW01, UTGE5ASP113TW01, UTGE5ASP113TW08, UTGE5ASP115TW01, UTGE5ASP115TW08, YTGE5ASP093CW01, YTGE5ASP095CW01, YTGE5ASP113TW01 and YTGE5ASP115TW01



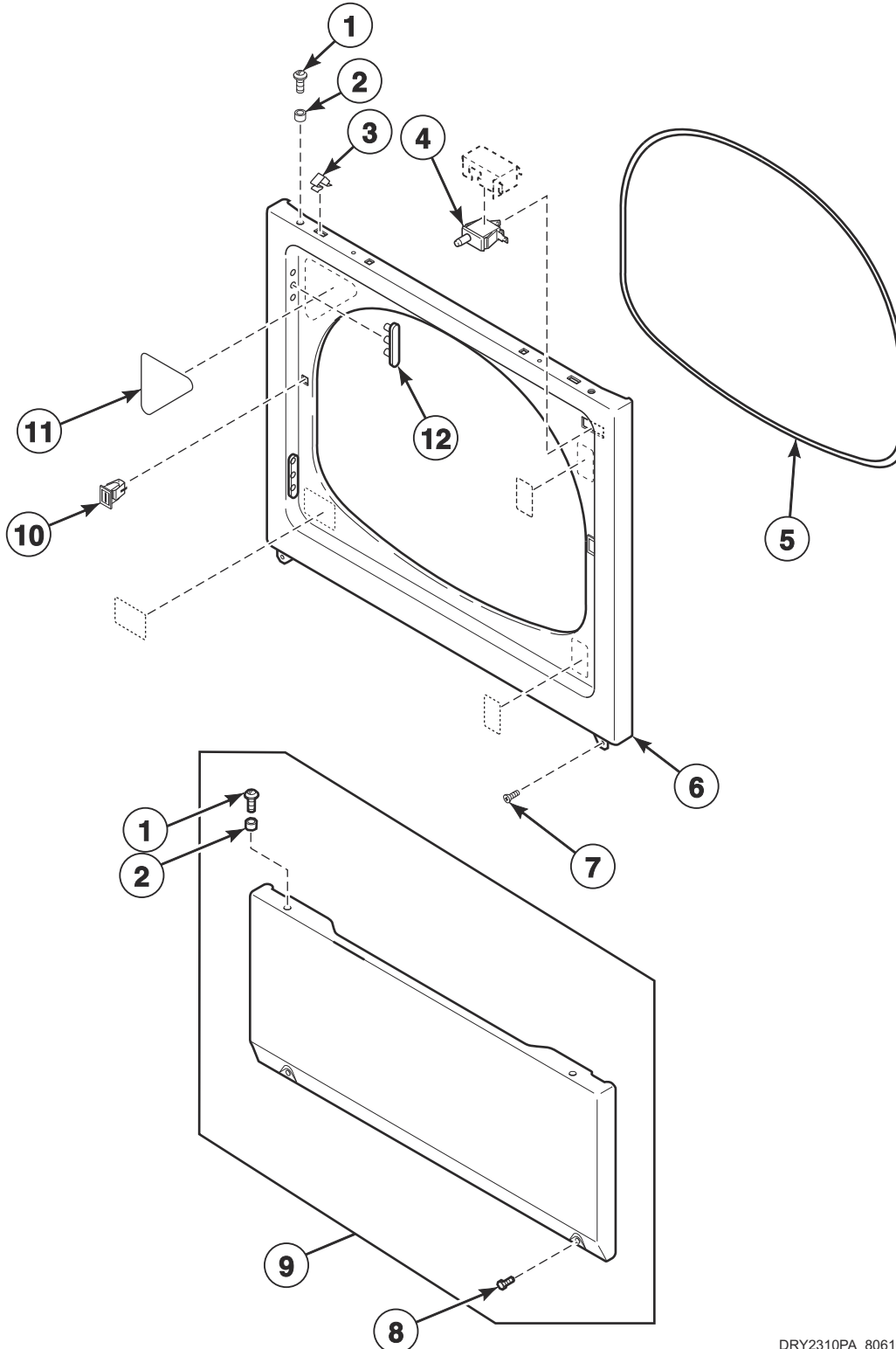
D427PA_806105

Dryer Door With Window - Starting Serial Nos. Beginning 1707

REF	PART NO.	DESCRIPTION	COMMENTS
1	D515961W	Dryer Door	
2	D510103WP	Door Pull and Wedge Kit	
3	D515681	Dryer Door Window	
4	D510127	Door Strike Mount	
5	D510181	Door Strike	
6	D515967	Screw	
7	D515709	Liner Door Seal	
8	D503870W	Door Liner Grill	
9	D516509	Liner and Seal Assembly	Includes item 7
10	D505870	Screw	
11	D505295	Screw	
12	D511036	Hinge	
13	D515956W	Window Trim	

Access Panel, Front Panel and Seal (Drawing 1 of 5)

Models ATEE9ASP283CW01, ATGE9ASP093CW01, BTEE6ASP173TW01, BTEE6ASP283CW01, BTGE6ASP093CW01, BTGE6ASP113TW01, LTEA5FSP153TW01, LTEA5FSP153TW04, LTEA5FSP173TW01, LTEA5FSP173TW04, LTEE5ASP153TW01, LTEE5ASP173TW01, LTEE5ASP283CW01, LTEE5ASP293CW01, LTGA5FSP113TW01, LTGE5ASP093CW01, LTGE5ASP113TW01, PTEE3FSP173TG01, PTEE3FSP283CG01, PTGE3FSP093CG01, PTGE3FSP113TG01, UTEE5ASP173TW01, UTEE5ASP173TW08, UTEE5ASP283CW01, UTGE5ASP113TW01, UTGE5ASP113TW08, YTEE5ASP173TW01, YTEE5ASP283CW01, YTGE5ASP093CW01 and YTGE5ASP113TW01



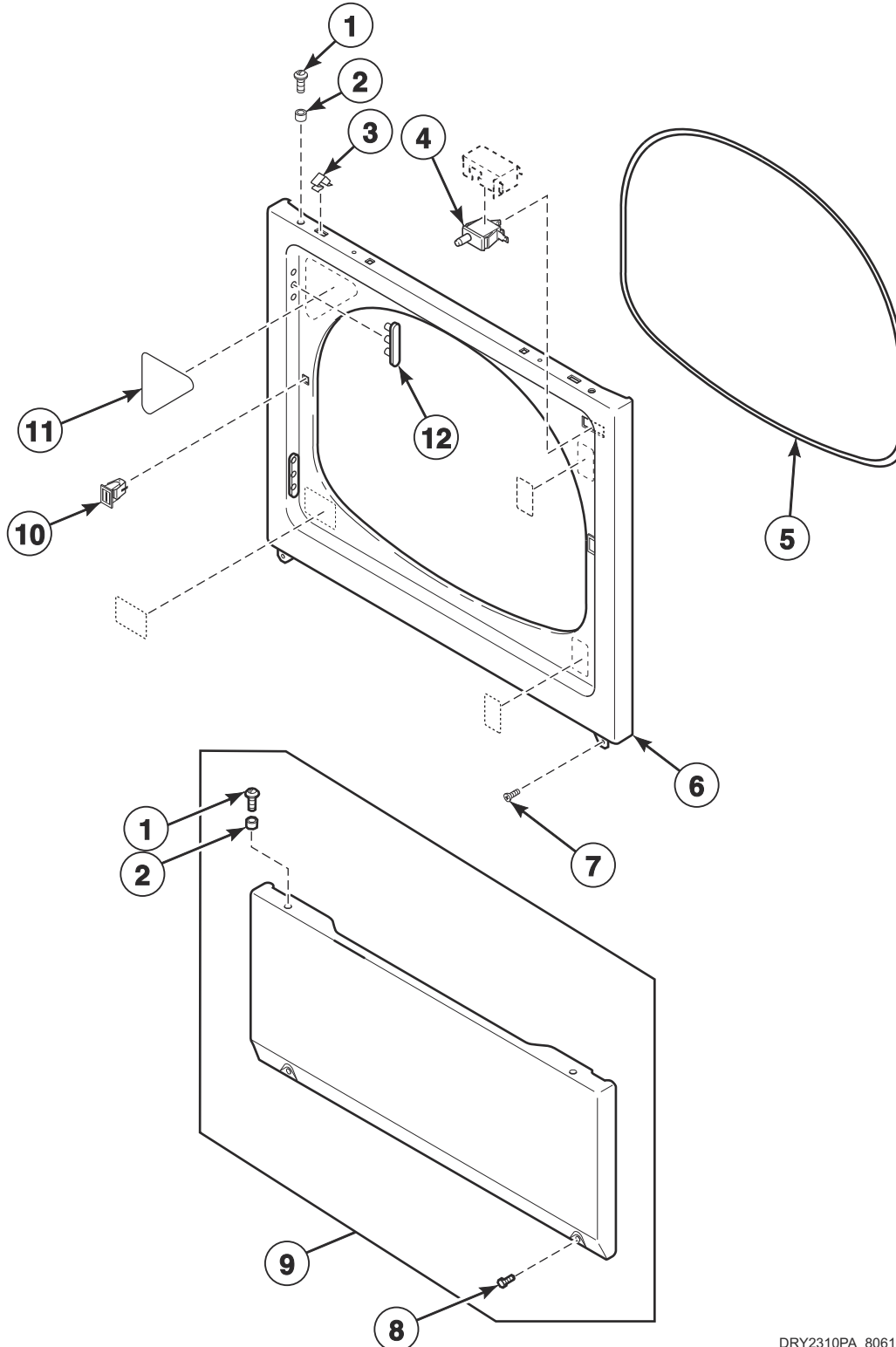
DRY2310PA_806105

Access Panel, Front Panel and Seal (Drawing 1 of 5)

REF	PART NO.	DESCRIPTION	COMMENTS
1	39733	Screw	
2	56079	Panel Locator	
3	28835	Speed Clip	
4	D512973	Switch	
5	D511056	Front Panel Seal	
6	D510066WP	Front Panel	White
	D510066DG	Front Panel	Gray
7	D503688	Screw	
8	33562	Screw	
9	D514250WP	Access Panel Assembly	White; Models ATEE9ASP283CW01, ATGE9ASP093CW01, BTEE6ASP173TW01, BTEE6ASP283CW01, BTGE6ASP093CW01, BTGE6ASP113TW01, LTEA5FSP153TW01, LTEA5FSP153TW04, LTEA5FSP173TW01, LTEA5FSP173TW04, LTEE5ASP153TW01, LTEE5ASP173TW01, LTEE5ASP283CW01, LTEE5ASP293CW01, LTGA5FSP113TW01, LTGE5ASP093CW01, LTGE5ASP113TW01, UTEE5ASP173TW01, UTEE5ASP173TW08, UTEE5ASP283CW01, UTGE5ASP113TW01, UTGE5ASP113TW08, YTEE5ASP173TW01, YTEE5ASP283CW01, YTGE5ASP093CW01 and YTGE5ASP113TW01
	D514252DG	Access Panel and Guard Assembly	Gray; Models PTEE3FSP173TG01, PTEE3FSP283CG01 and PTGE3FSP093CG01 through Serial Nos. beginning 1711; Model PTGE3FSP113TG01 starting Serial No. 1606000839 and continuing through Serial Nos. beginning 1711
	D514250DG	Access Panel Assembly	Models PTEE3FSP173TG01, PTEE3FSP283CG01 and PTGE3FSP093CG01 starting Serial Nos. beginning 1711; Model PTGE3FSP113TG01 through Serial No. 1606000838 and starting again with Serial Nos. beginning 1711
10	D510177	Door Catch Assembly	
11	D500281	Warning/Caution Label	English
12	D510186	Hinge Hole Plug	

Access Panel, Front Panel and Seal (Drawing 2 of 5)

Models ATEE9ASP285CW01, ATEE9ASP285CW14, ATGE9ASP095CW01, ATGE9ASP095CW14, LTEE5ASP155TW01, LTEE5ASP175TW01, LTEE5ASP285CW01, LTEE5ASP295CW01, LTEE5FSP175TW01, LTEE5FSP275TW01, LTGE5ASP095CW01, LTGE5ASP115TW01, LTGE5FSP115TW01, PTEE3FSP175TG01, PTEE3FSP175TW01, PTEE3FSP285CG01, PTGE3FSP095CG01, PTGE3FSP115TG01, PTGE3FSP115TW01, UTEE5ASP175TW01, UTEE5ASP175TW08, UTEE5ASP285CW01, UTGE5ASP115TW01, UTGE5ASP115TW08, YTEE5ASP175TW01, YTEE5ASP285CW01, YTGE5ASP095CW01 and YTGE5ASP115TW01



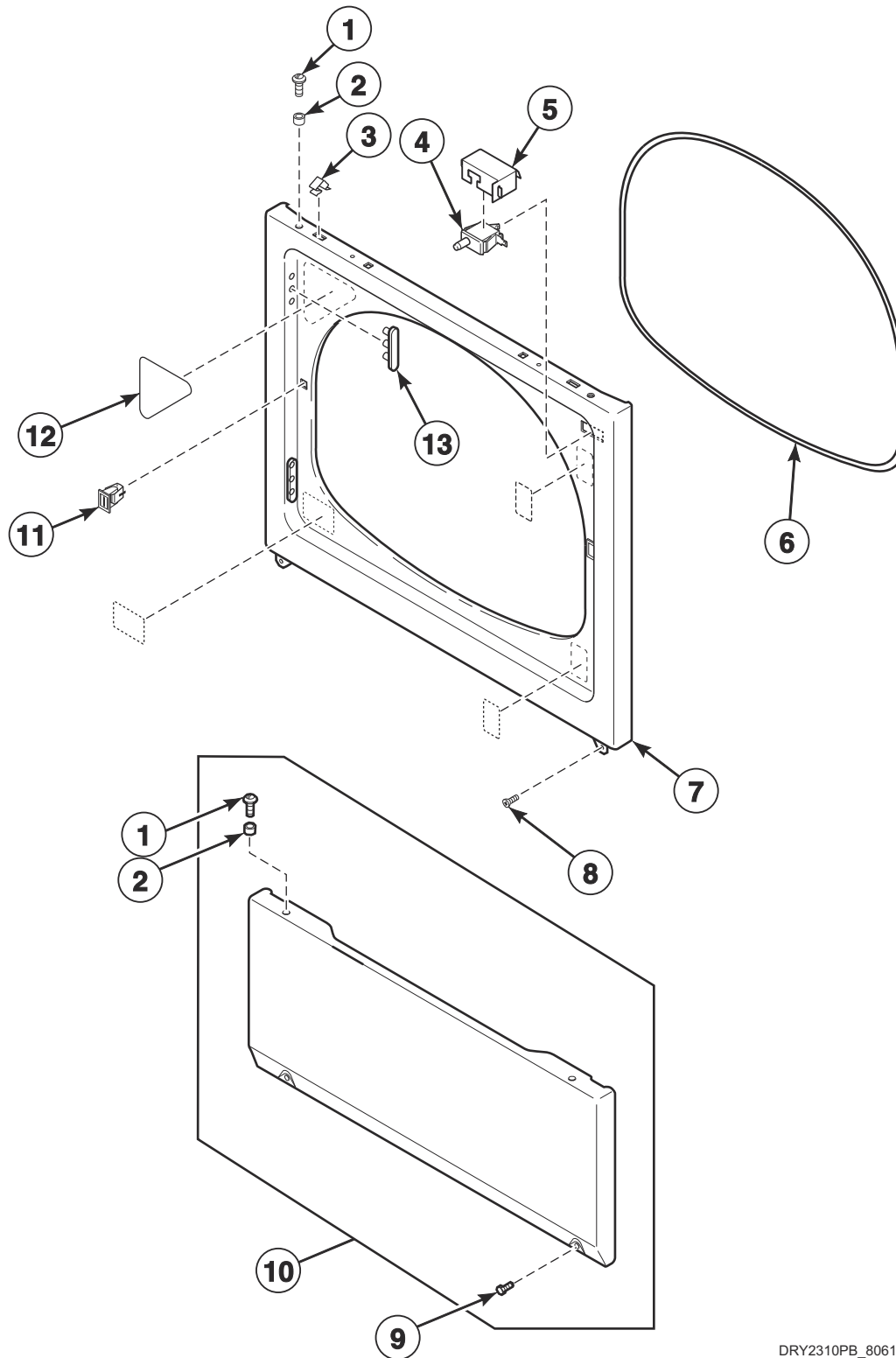
DRY2310PA_806105

Access Panel, Front Panel and Seal (Drawing 2 of 5)

REF	PART NO.	DESCRIPTION	COMMENTS
1	39733	Screw	
2	56079	Panel Locator	
3	28835	Speed Clip	
4	D512973	Switch	
5	D511056	Front Panel Seal	
6	D510066WP	Front Panel	White
	D510066DG	Front Panel	Gray
7	D503688	Screw	
8	33562	Screw	
9	D514250DG	Access Panel Assembly	Gray; Models PTEE3FSP175TG01, PTEE3FSP285CG01, PTGE3FSP095CG01 and PTGE3FSP115TG01
	D514250WP	Access Panel Assembly	White; All other models
10	D510177	Door Catch Assembly	
11	D500281	Warning/Caution Label	English
12	D510186	Hinge Hole Plug	

Access Panel, Front Panel and Seal (Drawing 3 of 5)

Models ATEE9ASG453NW36, ATEE9ASG455NW36, ATEE9ASP133DN04, ATEE9ASP133DW04, ATEE9ASP433XW34, ATEE9ASP435XW34, ATEE9ASP453LW26, ATEE9ASP455LN01, ATEE9ASP455LW01, ATEE9ASP543DN04, ATEE9ASP543DW04, ATEE9ASP545DW04, ATEE9ASP565XW01, ATGE9ASP123DN04, ATGE9ASP123DW04, ATGE9ASP125DW04, ATGE9ASP303XW01, ATGE9ASP303XW26, ATGE9ASP305XW01, ATGE9ASP543DN04, ATGE9ASP543DW04, ATGE9ASP545DW04, ATHE9ASP453NW29, ATHE9ASP455NN29 and ATHE9ASP455NW29



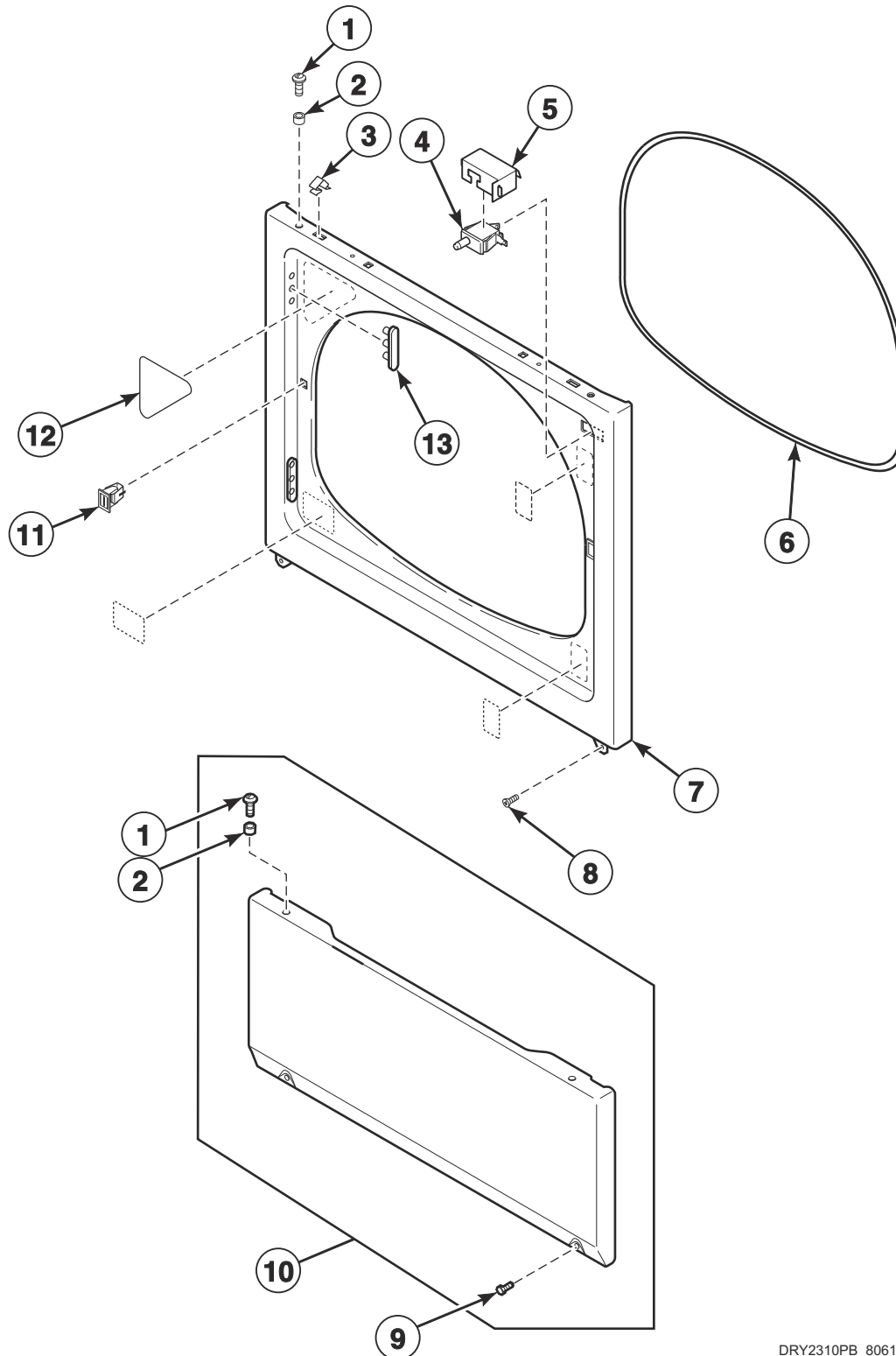
DRY2310PB_806105

Access Panel, Front Panel and Seal (Drawing 3 of 5)

REF	PART NO.	DESCRIPTION	COMMENTS
1	39733	Screw	Use with painted panels
	806276	Screw	Use with stainless steel panels
2	56079	Panel Locator	
3	28835	Speed Clip	
4	D512973	Switch	
5	D514327	Drip Shield	
6	D511056	Front Panel Seal	
7	D510066WP	Front Panel	White
	D510066DG	Front Panel	Gray
	D512542	Front Panel	Stainless steel
8	D503688	Screw	Use with painted panels
	D512921	Screw	Use with stainless steel panels
9	33562	Screw	Use with painted panels
	D512921	Screw	Use with stainless steel panels
10	D514251	Access Panel Assembly	Stainless steel; Models ATEE9ASP133DN04, ATEE9ASP455LN01, ATEE9ASP543DN04, ATGE9ASP123DN04, ATGE9ASP543DN04 and ATHE9ASP455NN29
	D514250WP	Access Panel Assembly	White; All other models
11	D510177	Door Catch Assembly	
12	D500281	Warning/Caution Label	English
	D514226	Warning Label	Brazilian Portuguese
	D514867	Warning Label	Thai
	D514866	Warning Label	Japanese
	D514410	Warning Label	Arabic
	D514863	Front Panel Label	Chinese
	D514864	Front Panel Label	Korean
13	D510186	Hinge Hole Plug	

Access Panel, Front Panel and Seal (Drawing 4 of 5)

Models ATLE9ASP305LW01, FTEE5ASP303NW10, FTEE5ASP303ZW01, FTGE5ASP303NW10, LTEE5AGP133ZW30, LTEE5ASP133FW01, LTEE5ASP303WW01, LTEE5ASP303WW37, LTEE5ASP303ZW01, LTEE5ASP333NW01, LTEE5ASP453VW26, LTEE5ASP543NW01, LTEE5ASP543NW23, LTEE5ASP543RW01, LTEE5ASP553KW01, LTGE5ASP113FW01, LTGE5ASP113JW01, LTLE5ASP303LW01, LTLE5ASP303NW35, LTLE5ASP543NW23, LTME5ASP543KW01, TTHE5ASP303NW36, TTPE5ASP303NW36, YTEE5ASP133FW01, YTEE5ASP303NW10 and YTGE5ASP113FW01



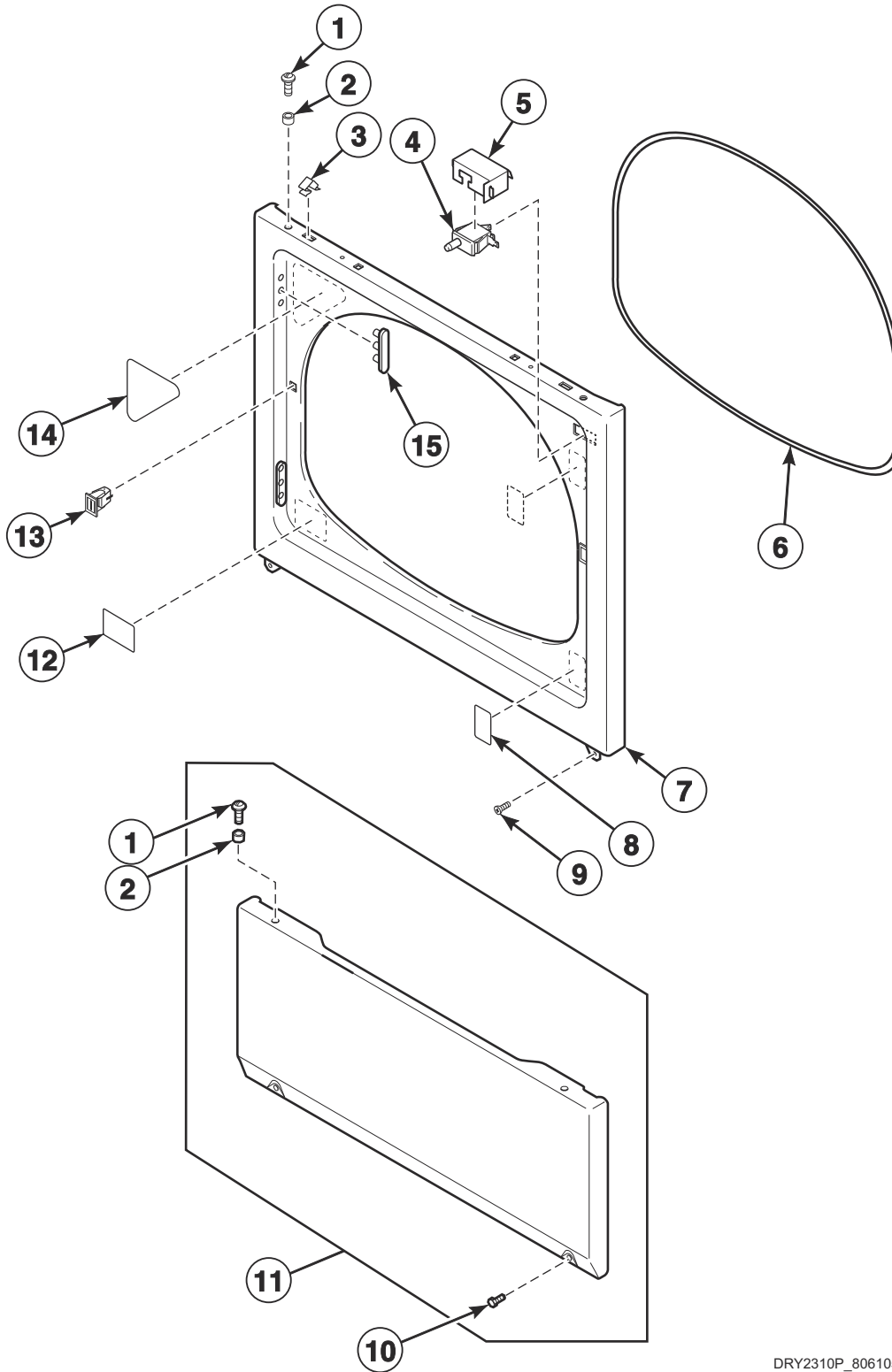
DRY2310PB_806105

Access Panel, Front Panel and Seal (Drawing 4 of 5)

REF	PART NO.	DESCRIPTION	COMMENTS
1	39733	Screw	Use with painted panels
	806276	Screw	Use with stainless steel panels
2	56079	Panel Locator	
3	28835	Speed Clip	
4	D512973	Switch	
5	D514327	Drip Shield	
6	D511056	Front Panel Seal	
7	D510066WP	Front Panel	White
	D510066DG	Front Panel	Gray
	D512542	Front Panel	Stainless steel
8	D503688	Screw	
9	33562	Screw	
10	D517012W	Access Panel Assembly	Model LTME5ASP543KW01
	D514250WP	Access Panel Assembly	White; All other models
11	D510177	Door Catch Assembly	
12	D500281	Warning/Caution Label	English
	D514226	Warning Label	Brazilian Portuguese
	D514867	Warning Label	Thai
	D514866	Warning Label	Japanese
	D514410	Warning Label	Arabic
	D514863	Front Panel Label	Chinese
	D514864	Front Panel Label	Korean
13	D510186	Hinge Hole Plug	

Access Panel, Front Panel and Seal (Drawing 5 of 5)

Models ATEE9AGP435AW01, ATEE9AWP433AW01, ATEE9AWP435AW01, ATGE9AGP305AW01, ATGE9AWP303AW01, ATGE9AWP305AW01, FTGE5ASP433LW01, LTEE5ASP433AW01, LTEE5ASP433AW12, LTGE5ASP303AW01, LTGE5ASP303AW12, PTEE3FSP433AG01, PTGE3FSP303AG01 and YTGE5ASP303NW21

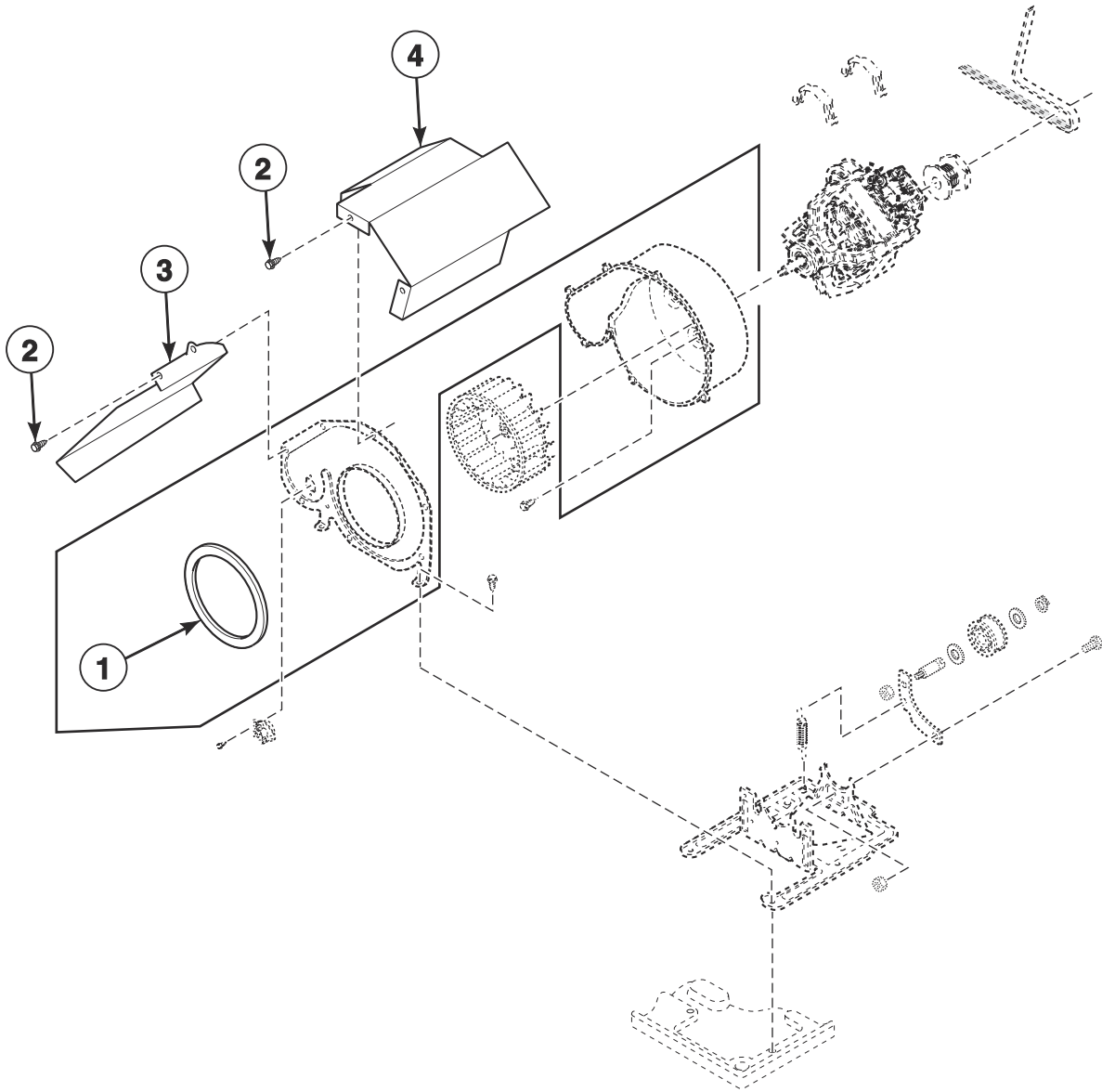


DRY2310P_806105

Access Panel, Front Panel and Seal (Drawing 5 of 5)

REF	PART NO.	DESCRIPTION	COMMENTS
1	39733	Screw	Use with painted panels
	806276	Screw	Use with stainless steel panels
2	56079	Panel Locator	
3	28835	Speed Clip	
4	D512973	Switch	
5	D514327	Drip Shield	All models except YTGE5ASP303NW21
6	D511056	Front Panel Seal	
7	D510066WP	Front Panel	White
	D510066DG	Front Panel	Gray
8	D512263	Warning Label	
9	D503688	Screw	
10	33562	Screw	
11	D514250DG	Access Panel Assembly	Models PTEE3FSP433AG01 and PTGE3FSP303AG01
	D514250WP	Access Panel Assembly	White; All other models
12	D502804	Lint Filter Label	
13	D510177	Door Catch Assembly	
14	D500281	Warning/Caution Label	English
	D514226	Warning Label	Brazilian Portuguese
	D514867	Warning Label	Thai
	D514866	Warning Label	Japanese
	D514410	Warning Label	Arabic
	D514863	Front Panel Label	Chinese
	D514864	Front Panel Label	Korean
15	D510186	Hinge Hole Plug	

Blower Housing and Shields (Drawing 1 of 2)

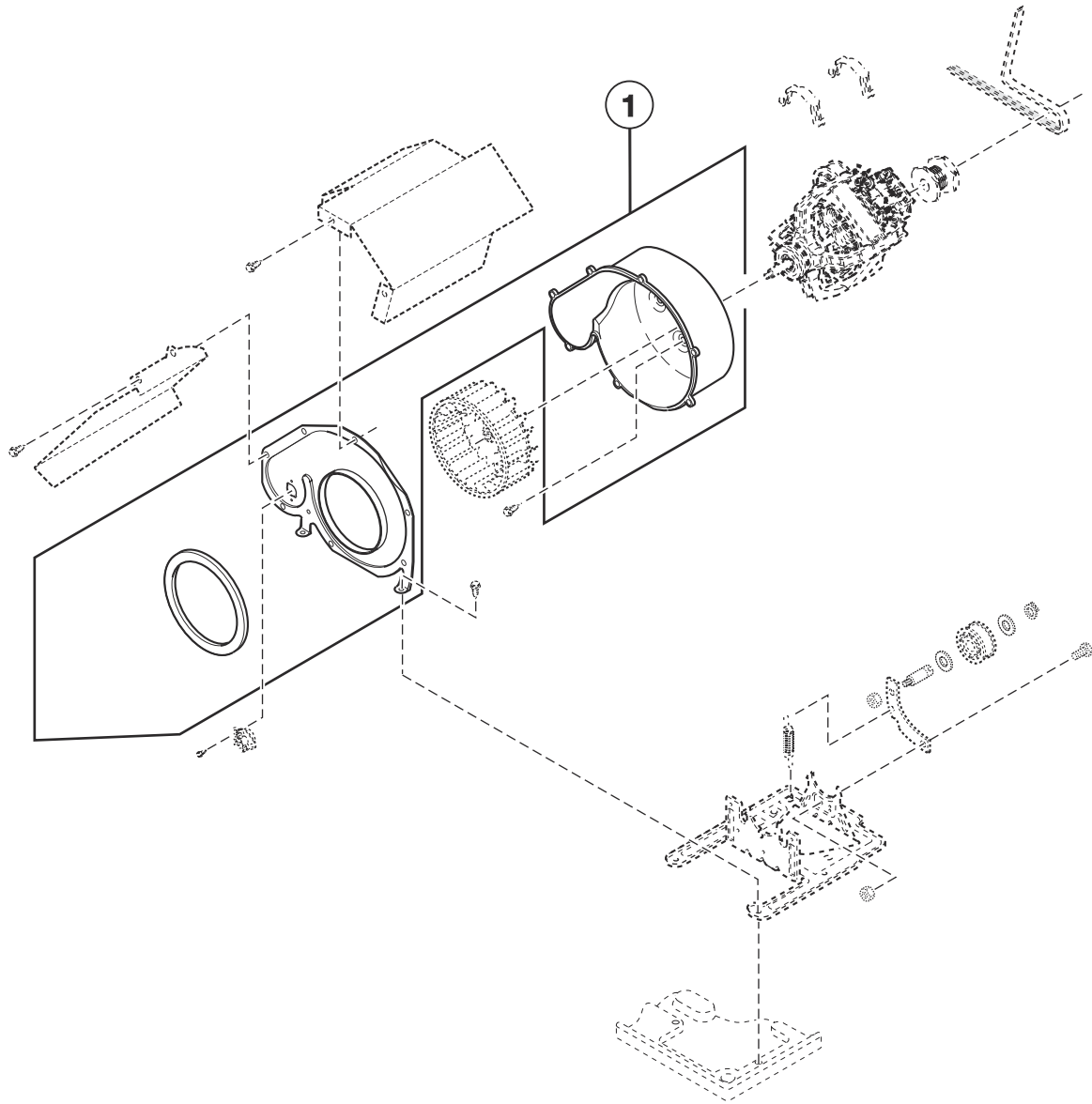


DRY2312P_806105

Blower Housing and Shields (Drawing 1 of 2)

REF	PART NO.	DESCRIPTION	COMMENTS
1	D510238P	Blower Housing Seal	
2	31260	Screw	
3	D514325	Thermostat Shield	Models ATEE9AGP435AW01, ATEE9ASP133DN04, ATEE9ASP133DW04, ATEE9ASP433XW34, ATEE9ASP435XW34, ATEE9ASP453LW26, ATEE9ASP455LN01, ATEE9ASP455LW01, ATEE9ASP543DN04, ATEE9ASP543DW04, ATEE9ASP545DW04, ATEE9ASP565XW01, ATEE9AWP433AW01, ATEE9AWP435AW01, ATGE9AGP305AW01, ATGE9ASP123DN04, ATGE9ASP123DW04, ATGE9ASP303XW01, ATGE9ASP303XW26, ATGE9ASP305XW01, ATGE9ASP543DN04, ATGE9ASP543DW04, ATGE9ASP545DW04, ATGE9AWP303AW01, ATGE9AWP305AW01, ATHE9ASP453NW29, ATHE9ASP455NN29, ATHE9ASP455NW29, ATLE9ASP305LW01, FTEE5ASP303ZW01, FTEE5ASP433LW01, LTEE5AGP133ZW30, LTEE5ASP133FW01, LTEE5ASP303WW01, LTEE5ASP303WW37, LTEE5ASP303ZW01, LTEE5ASP433AW01, LTEE5ASP433AW12, LTEE5ASP453VW26, LTEE5ASP543RW01, LTEE5ASP553KW01, LTGE5ASP113FW01, LTGE5ASP113JW01, LTGE5ASP303AW01, LTGE5ASP303AW12, LTLE5ASP303LW01, LTME5ASP543KW01, PTEE3FSP433AG01, PTGE3FSP303AG01, YTEE5ASP133FW01 and YTGE5ASP113FW01
4	D514602	Motor Shield	Models ATEE9AGP435AW01, ATEE9ASP133DN04, ATEE9ASP133DW04, ATEE9ASP433XW34, ATEE9ASP435XW34, ATEE9ASP453LW26, ATEE9ASP455LN01, ATEE9ASP455LW01, ATEE9ASP543DN04, ATEE9ASP543DW04, ATEE9ASP545DW04, ATEE9ASP565XW01, ATEE9AWP433AW01, ATEE9AWP435AW01, ATGE9AGP305AW01, ATGE9ASP123DN04, ATGE9ASP123DW04, ATGE9ASP303XW01, ATGE9ASP303XW26, ATGE9ASP305XW01, ATGE9ASP543DN04, ATGE9ASP543DW04, ATGE9ASP545DW04, ATGE9AWP303AW01, ATGE9AWP305AW01, ATHE9ASP453NW29, ATHE9ASP455NN29, ATHE9ASP455NW29, ATLE9ASP305LW01, FTEE5ASP303ZW01, FTEE5ASP433LW01, LTEE5AGP133ZW30, LTEE5ASP133FW01, LTEE5ASP303ZW01, LTEE5ASP433AW01, LTEE5ASP433AW12, LTEE5ASP453VW26, LTEE5ASP543RW01, LTEE5ASP553KW01, LTGE5ASP113FW01, LTGE5ASP113JW01, LTGE5ASP303AW01, LTGE5ASP303AW12, LTLE5ASP303LW01, LTME5ASP543KW01, PTEE3FSP433AG01, PTGE3FSP303AG01, YTEE5ASP133FW01 and YTGE5ASP113FW01
	D516183	Motor Shield	Models LTEE5ASP303WW01 and LTEE5ASP303WW37

Blower Housing and Shields (Drawing 2 of 2)

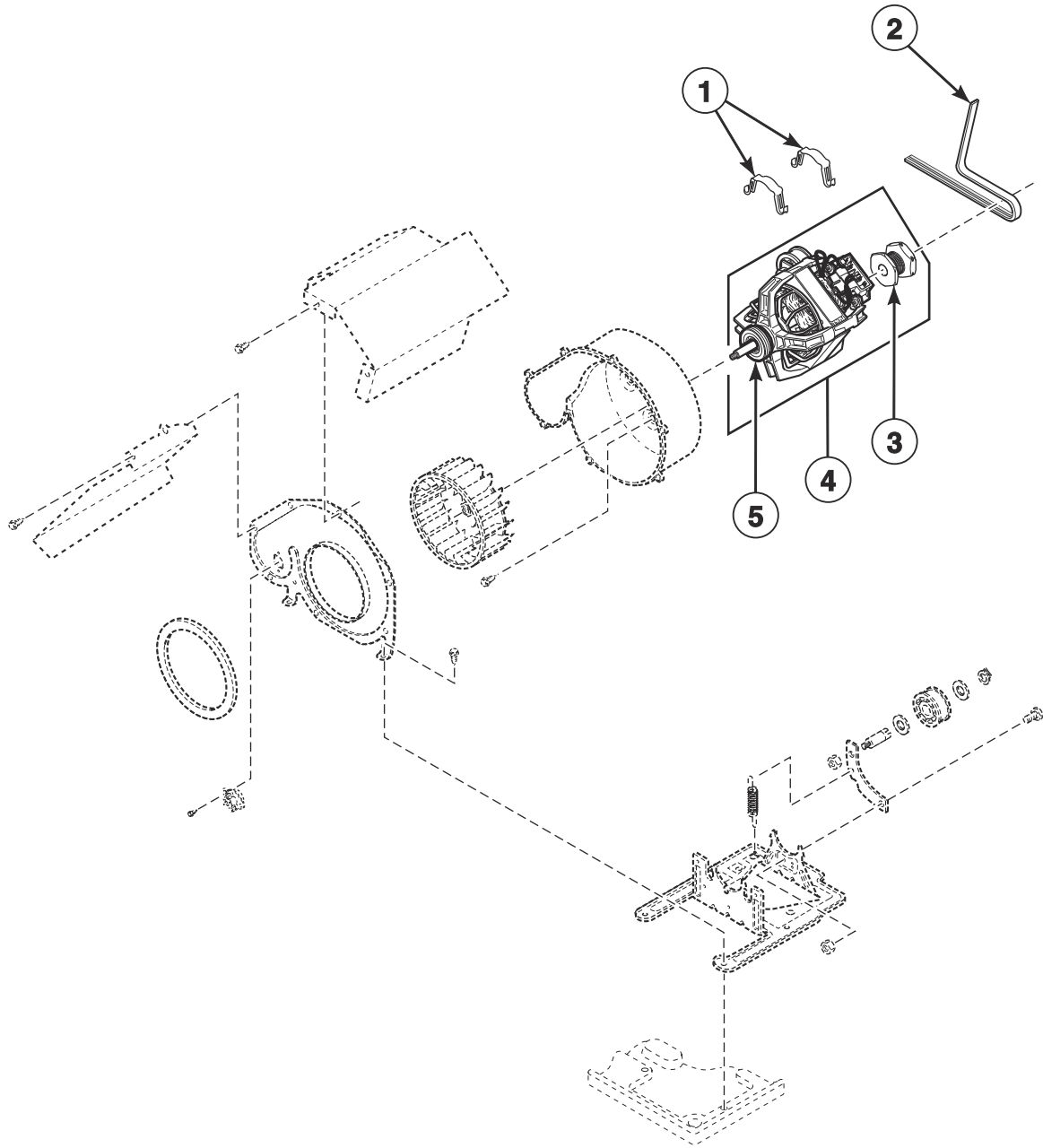


DRY2312PB_806105

Blower Housing and Shields (Drawing 2 of 2)

REF	PART NO.	DESCRIPTION	COMMENTS
1	D511969LG	Blower Housing	<p>Models ATEE9ASP283CW01, ATGE9ASP093CW01, BTEE6ASP173TW01, BTEE6ASP283CW01, LTEA5FSP153TW01, LTEA5FSP153TW04, LTEA5FSP173TW01, LTEA5FSP173TW04, LTEE5ASP153TW01, LTEE5ASP173TW01, LTEE5ASP283CW01, LTEE5ASP293CW01, LTGE5ASP093CW01, PTEE3FSP173TG01, PTEE3FSP283CG01, PTGE3FSP093CG01, PTGE3FSP113TG01, UTEE5ASP173TW01, UTEE5ASP173TW08, UTEE5ASP283CW01, YTEE5ASP173TW01 and YTEE5ASP283CW01 through Serial Nos. beginning 1711; Models BTGE6ASP093CW01, BTGE6ASP113TW01, LTGA5FSP113TW01, LTGE5ASP113TW01, UTGE5ASP113TW01, UTGE5ASP113TW08, YTGE5ASP093CW01 and YTGE5ASP113TW01 starting Serial No. 1606000839 and continuing through Serial Nos. beginning 1711</p>
	D511969WP	Blower Housing	<p>Models ATEE9ASP283CW01, ATGE9ASP093CW01, BTEE6ASP173TW01, BTEE6ASP283CW01, LTEA5FSP153TW01, LTEA5FSP153TW04, LTEA5FSP173TW01, LTEA5FSP173TW04, LTEE5ASP153TW01, LTEE5ASP173TW01, LTEE5ASP283CW01, LTEE5ASP293CW01, LTGE5ASP093CW01, PTEE3FSP173TG01, PTEE3FSP283CG01, PTGE3FSP093CG01, PTGE3FSP113TG01, UTEE5ASP173TW01, UTEE5ASP173TW08, UTEE5ASP283CW01, YTEE5ASP173TW01 and YTEE5ASP283CW01 starting Serial Nos. beginning 1711; Models BTGE6ASP093CW01, BTGE6ASP113TW01, LTGA5FSP113TW01, LTGE5ASP113TW01, UTGE5ASP113TW01, UTGE5ASP113TW08, YTGE5ASP093CW01 and YTGE5ASP113TW01 through Serial No. 1606000838 and starting again with Serial Nos. beginning 1711; All other models</p>

Motor, Exhaust Fan and Belt (Drawing 1 of 2)

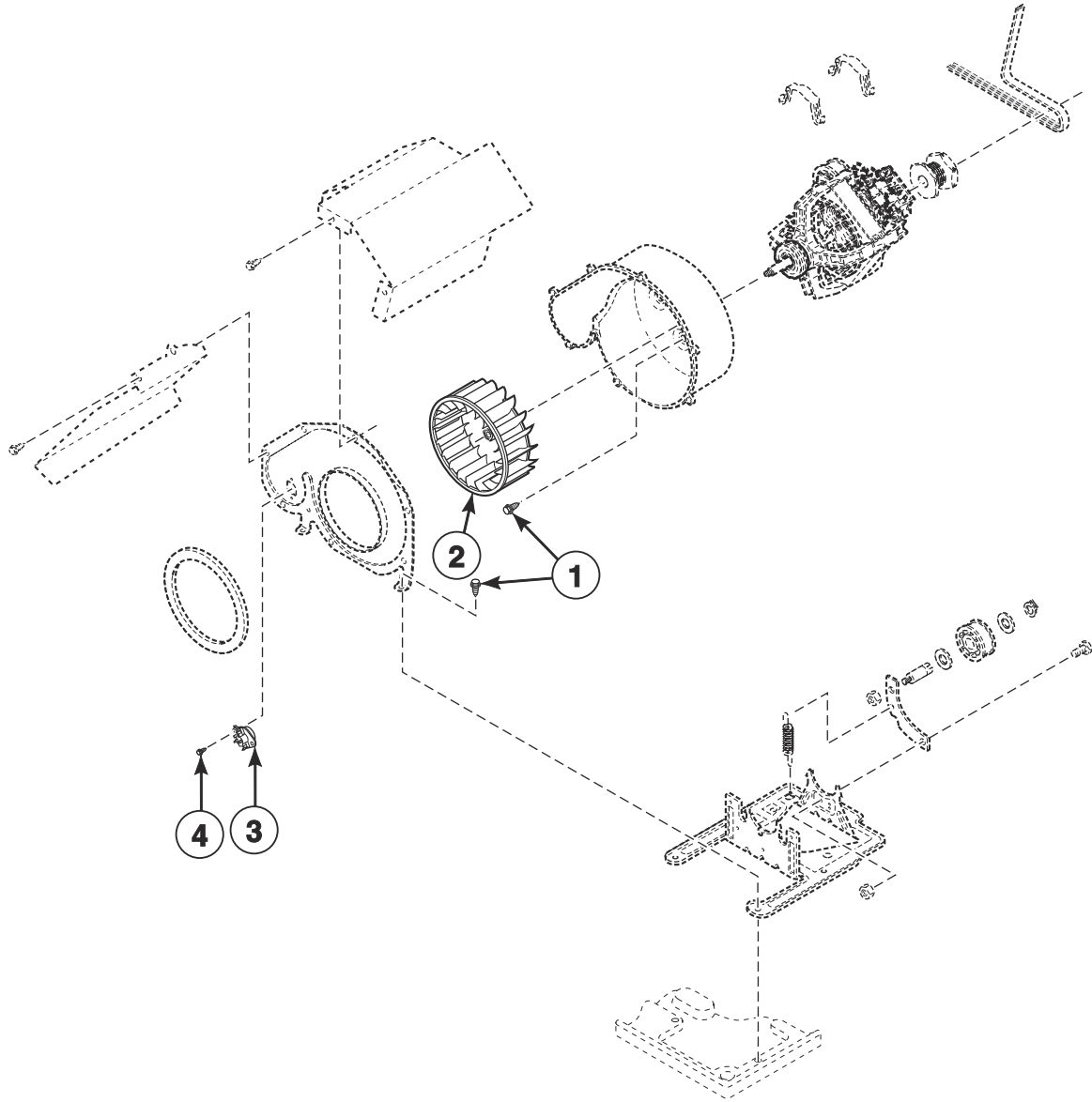


DRY2312PA_806105

Motor, Exhaust Fan and Belt (Drawing 1 of 2)

REF	PART NO.	DESCRIPTION	COMMENTS
	27604P	Anti-Seize Compound	Apply to motor shaft when installing blower fan assembly
1	D510180	Motor Mount Clamp	
2	D511255P	Cylinder Belt	
3	D500222	Motor Pulley	50 Hertz; Models ATEE9AGP435AW01, ATEE9ASG453NW36, ATEE9ASG455NW36, ATEE9ASP433XW34, ATEE9ASP435XW34, ATEE9ASP453LW26, ATEE9ASP455LN01, ATEE9ASP455LW01, ATEE9ASP565XW01, ATEE9AWP433AW01, ATEE9AWP435AW01, ATGE9AGP305AW01, ATGE9ASP303XW01, ATGE9ASP303XW26, ATGE9ASP305XW01, ATGE9AWP303AW01, ATGE9AWP305AW01, ATHE9ASP453NW29, ATHE9ASP455NN29, ATHE9ASP455NW29, FTEE5ASP303NW10, FTEE5ASP303ZW01, FTEE5ASP433LW01, FTGE5ASP303NW10, LTEE5ASP303WW01, LTEE5ASP303WW37, LTEE5ASP303ZW01, LTEE5ASP433AW01, LTEE5ASP433AW12, LTEE5ASP453VW26, LTGE5ASP303AW01, LTGE5ASP303AW12, PTEE3FSP433AG01, PTGE3FSP303AG01, TTHE5ASP303NW36, TTPE5ASP303NW36, YTEE5ASP303NW10 and YTGE5ASP303NW21
	D500011	Motor Pulley	60 Hertz; All other models
4	D505869P	Motor and Pulley Assembly	240 Volt/60 Hertz; Includes items 1, 3 and 5; Apply anti-seize compound to motor shaft when installing blower fan assembly; Models ATEE9ASP133DN04, ATEE9ASP133DW04, ATEE9ASP543DN04, ATEE9ASP543DW04, ATEE9ASP545DW04, ATGE9ASP543DN04, ATGE9ASP543DW04, ATGE9ASP545DW04, LTEE5ASP133FW01, LTEE5ASP333NW01, LTEE5ASP543NW01, LTEE5ASP543NW23, LTEE5ASP543RW01, LTEE5ASP553KW01, LTLE5ASP543NW23 and YTEE5ASP133FW01
	D505843P	Motor and Pulley Assembly	240 Volt/50 Hertz; Includes items 1, 3 and 5; Apply anti-seize compound to motor shaft when installing blower fan assembly; Models ATEE9AGP435AW01, ATEE9ASG453NW36, ATEE9ASG455NW36, ATEE9ASP433XW34, ATEE9ASP435XW34, ATEE9ASP453LW26, ATEE9ASP455LN01, ATEE9ASP455LW01, ATEE9ASP565XW01, ATEE9AWP433AW01, ATEE9AWP435AW01, ATGE9AGP305AW01, ATGE9ASP303XW01, ATGE9ASP303XW26, ATGE9ASP305XW01, ATGE9AWP303AW01, ATGE9AWP305AW01, ATHE9ASP453NW29, ATHE9ASP455NN29, ATHE9ASP455NW29, ATLE9ASP305LW01, FTEE5ASP303NW10, FTEE5ASP303ZW01, FTEE5ASP433LW01, FTGE5ASP303NW10, LTEE5AGP133ZW30, LTEE5ASP303WW01, LTEE5ASP303WW37, LTEE5ASP303ZW01, LTEE5ASP433AW01, LTEE5ASP433AW12, LTEE5ASP453VW26, LTGE5ASP303AW01, LTGE5ASP303AW12, LTLE5ASP303LW01, LTLE5ASP303NW35, PTEE3FSP433AG01, PTGE3FSP303AG01, TTHE5ASP303NW36, TTPE5ASP303NW36, YTEE5ASP303NW10 and YTGE5ASP303NW21
	D511629P	Motor and Pulley Assembly	120 Volt/60 Hertz; Includes items 1, 3 and 5; Apply anti-seize compound to motor shaft when installing blower fan assembly; All other models
5	590P3	Motor Hub Ring Kit	

Motor, Exhaust Fan and Belt (Drawing 2 of 2)

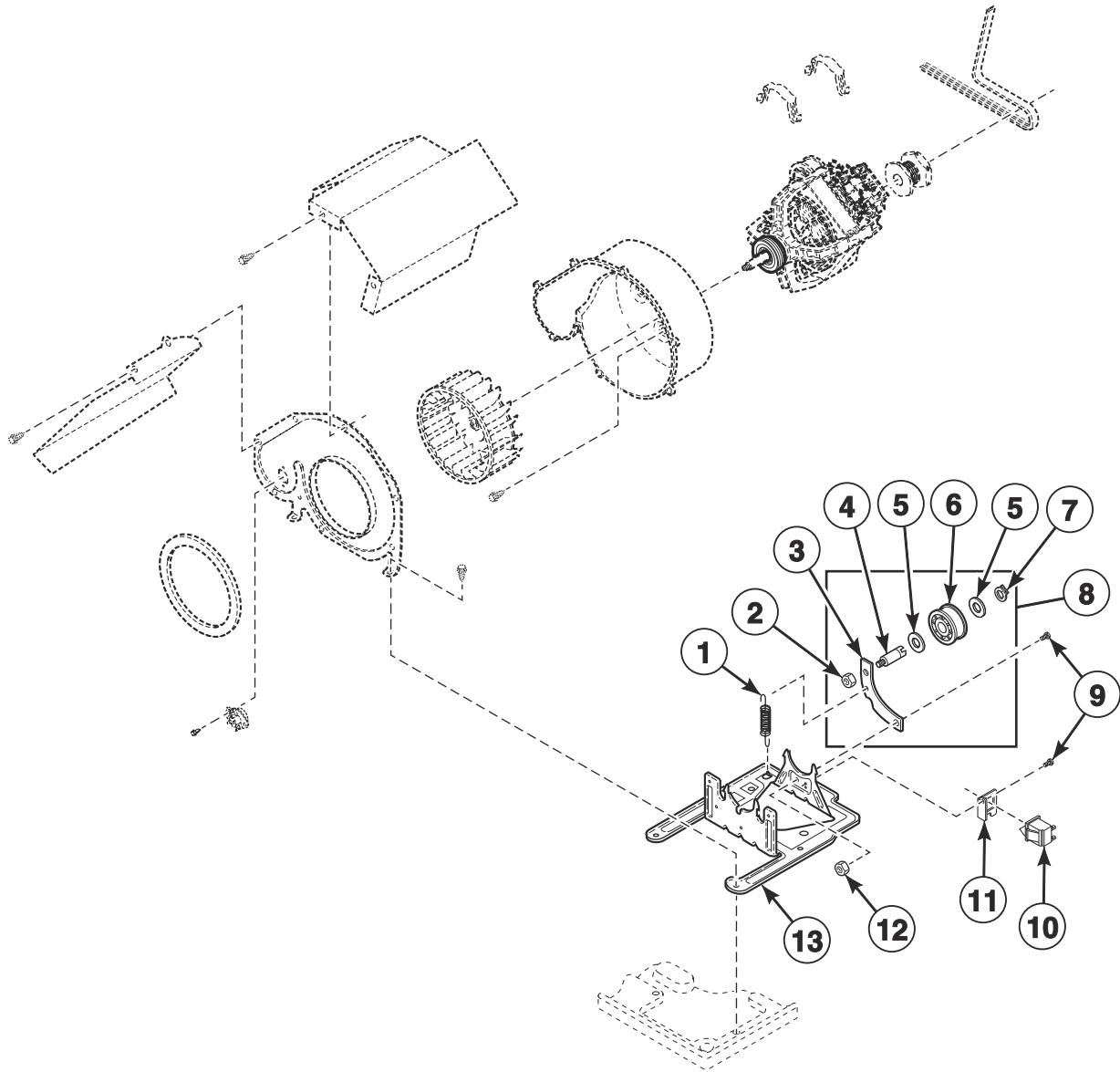


DRY2312PC_806105

Motor, Exhaust Fan and Belt (Drawing 2 of 2)

REF	PART NO.	DESCRIPTION	COMMENTS
1	D503688	Screw	
2	D510139P	Blower Fan Assembly	
3	D502366	Thermistor Assembly	Black; Models ATEE9AGP435AW01, ATEE9ASG453NW36, ATEE9ASG455NW36, ATEE9ASP433XW34, ATEE9ASP435XW34, ATEE9ASP453LW26, ATEE9ASP455LN01, ATEE9ASP455LW01, ATEE9ASP565XW01, ATEE9AWP433AW01, ATEE9AWP435AW01, ATGE9AGP305AW01, ATGE9ASP303XW01, ATGE9ASP303XW26, ATGE9ASP305XW01, ATGE9AWP303AW01, ATGE9AWP305AW01, ATHE9ASP453NW29, ATHE9ASP455NN29, ATHE9ASP455NW29, ATLE9ASP305LW01, FTEE5ASP303NW10, FTEE5ASP303ZW01, FTEE5ASP433LW01, FTGE5ASP303NW10, LTEE5AGP133ZW30, LTEE5ASP303WW01, LTEE5ASP303WW37, LTEE5ASP303ZW01, LTEE5ASP433AW01, LTEE5ASP433AW12, LTEE5ASP453VW26, LTGE5ASP303AW01, LTGE5ASP303AW12, LTLE5ASP303LW01, LTLE5ASP303NW35, PTEE3FSP433AG01, PTGE3FSP303AG01, TTHE5ASP303NW36, TTPE5ASP303NW36, YTEE5ASP303NW10 and YTGE5ASP303NW21
	D510523	Thermistor Assembly	Black; All other models
4	D502535	Screw	

Idler Assembly

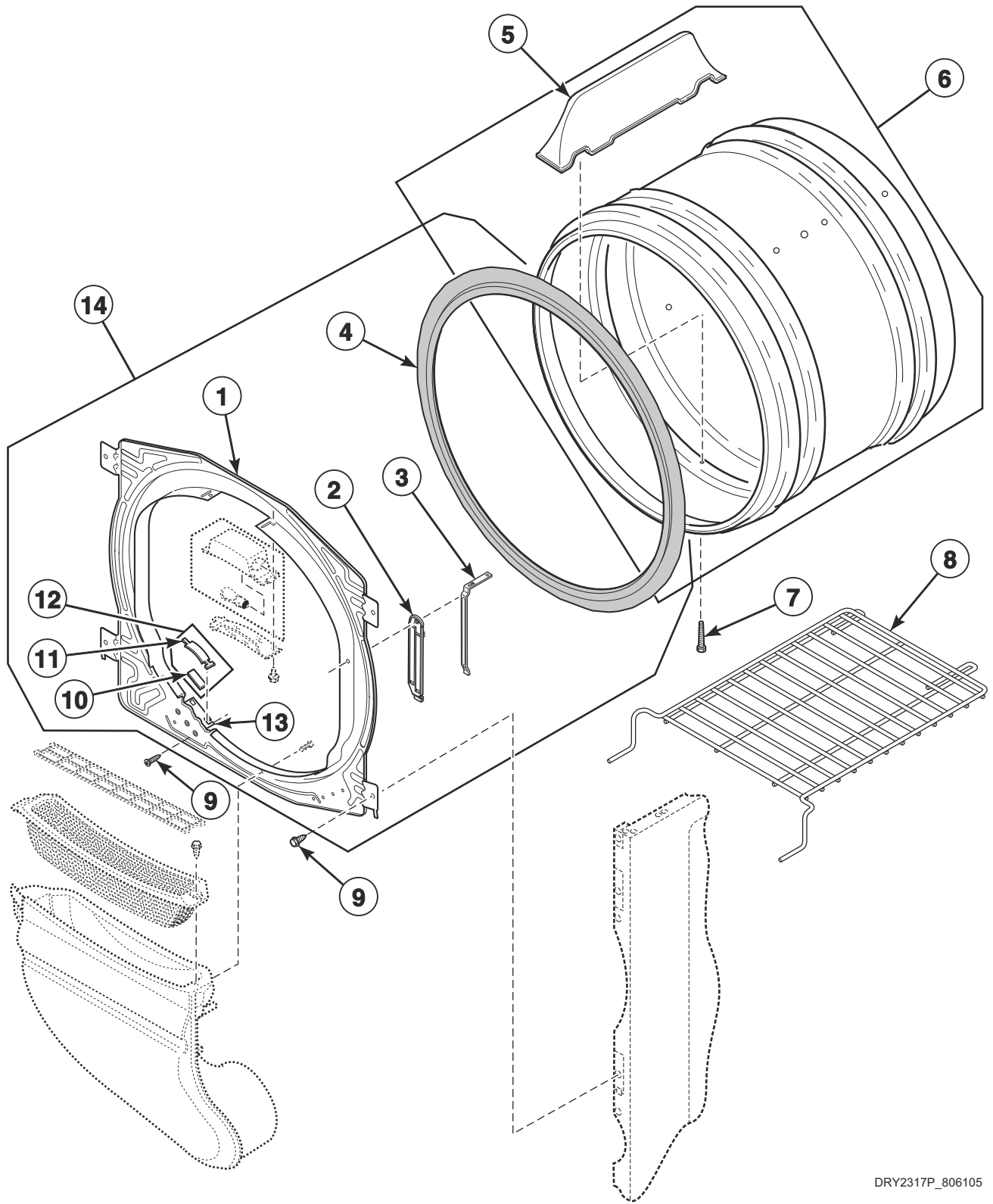


DRY2519P_806105

Idler Assembly

REF	PART NO.	DESCRIPTION	COMMENTS
1	D510185	Idler Spring	
2	56156	Nut	
3	D516310	Idler Lever	
4	56461P	Shaft	
5	52549	Washer	
6	D510142P	Idler Wheel and Bearing Assembly	
7	23748	Retaining Ring	
8	D516792	Idler Lever and Wheel Assembly	Includes items 2-7
9	D500824	Screw	
10	D516391	Switch	Models ATEE9AGP435AW01, ATEE9ASG453NW36, ATEE9ASG455NW36, ATEE9ASP133DW04, ATEE9ASP433XW34, ATEE9ASP435XW34, ATEE9ASP453LW26, ATEE9ASP455LN01, ATEE9ASP455LW01, ATEE9ASP543DW04, ATEE9ASP545DW04, ATEE9ASP565XW01, ATEE9AWP433AW01, ATEE9AWP435AW01, ATGE9AGP305AW01, ATGE9ASP123DW04, ATGE9ASP125DW04, ATGE9ASP303XW01, ATGE9ASP305XW01, ATGE9ASP543DW04, ATGE9ASP545DW04, ATGE9AWP303AW01, ATGE9AWP305AW01, ATHE9ASP453NW29, ATHE9ASP455NN29, ATHE9ASP455NW29, ATLE9ASP305LW01, FTEE5ASP433LW01 and YTGE5ASP303NW21
11	D516311	Motor Switch Bracket	Models ATEE9AGP435AW01, ATEE9ASG453NW36, ATEE9ASG455NW36, ATEE9ASP133DW04, ATEE9ASP433XW34, ATEE9ASP435XW34, ATEE9ASP453LW26, ATEE9ASP455LN01, ATEE9ASP455LW01, ATEE9ASP543DW04, ATEE9ASP545DW04, ATEE9ASP565XW01, ATEE9AWP433AW01, ATEE9AWP435AW01, ATGE9AGP305AW01, ATGE9ASP123DW04, ATGE9ASP125DW04, ATGE9ASP303XW01, ATGE9ASP305XW01, ATGE9ASP543DW04, ATGE9ASP545DW04, ATGE9AWP303AW01, ATGE9AWP305AW01, ATHE9ASP453NW29, ATHE9ASP455NN29, ATHE9ASP455NW29, ATLE9ASP305LW01, FTEE5ASP433LW01 and YTGE5ASP303NW21
12	52566	Nut	
13	D510060	Motor Mount	

Front Bulkhead, Felt Seal and Cylinder



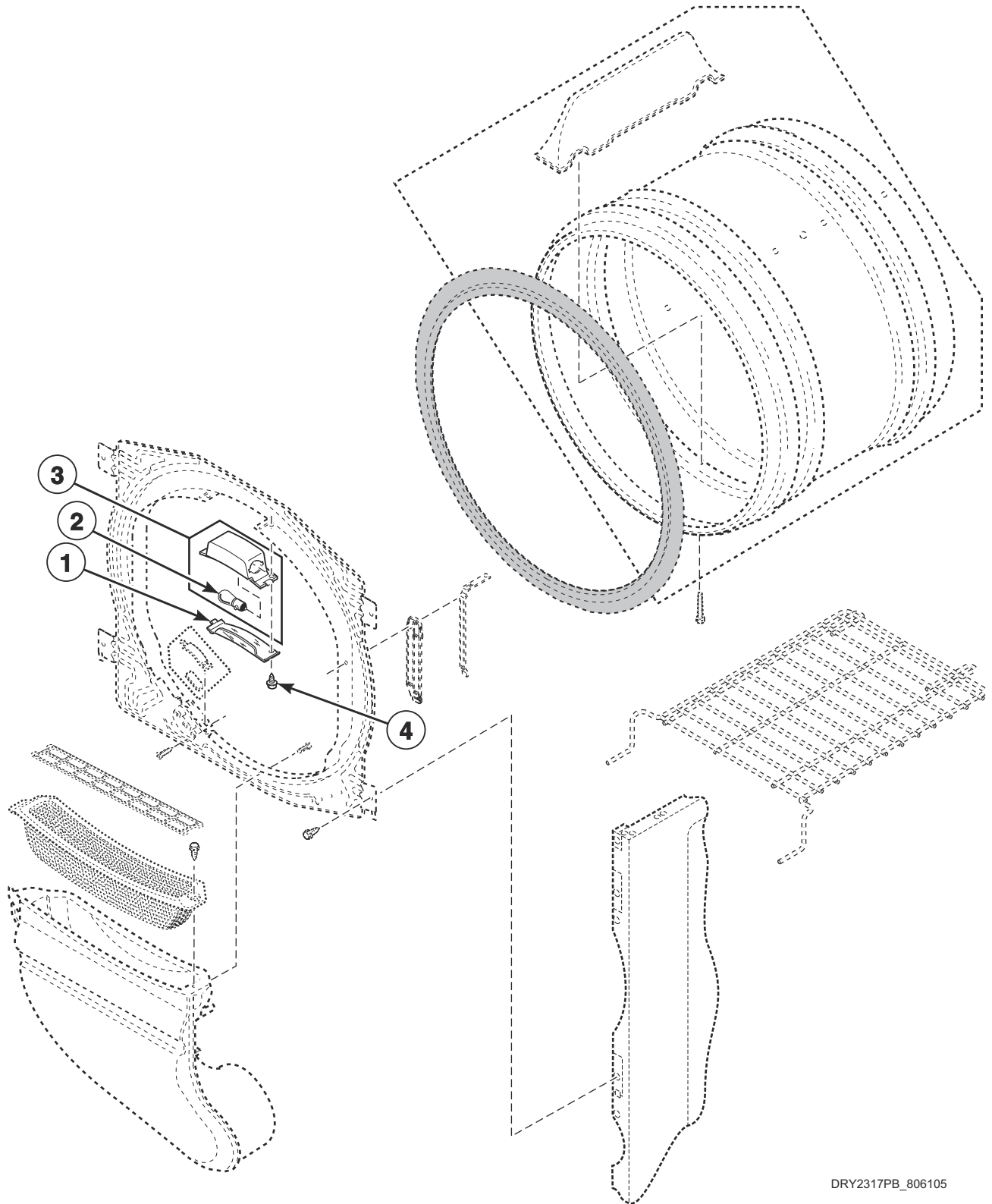
DRY2317P_806105

Front Bulkhead, Felt Seal and Cylinder

REF	PART NO.	DESCRIPTION	COMMENTS
1	D513641	Front Bulkhead	Galvanized; Models ATEE9ASP133DN04, ATEE9ASP133DW04, ATEE9ASP433XW34, ATEE9ASP435XW34, ATEE9ASP453LW26, ATEE9ASP455LN01, ATEE9ASP455LW01, ATEE9ASP543DN04, ATEE9ASP543DW04, ATEE9ASP545DW04, ATEE9ASP565XW01, ATGE9ASP123DN04, ATGE9ASP123DW04, ATGE9ASP125DW04, ATGE9ASP303XW01, ATGE9ASP303XW26, ATGE9ASP305XW01, ATGE9ASP543DN04, ATGE9ASP543DW04, ATGE9ASP545DW04, ATHE9ASP453NW29, ATHE9ASP455NN29, ATHE9ASP455NW29 and ATLE9ASP305LW01
	D513638	Front Bulkhead	Galvanized; All other models
	D505899WP	Bulkhead Assembly	White; Includes items 4 and 10-13; Models ATEE9AGP435AW01, ATEE9AWP433AW01, ATEE9AWP435AW01, ATGE9AGP305AW01, ATGE9AWP303AW01 and ATGE9AWP305AW01
2	D513738	Moisture Sensor Base	
3	D513737	Bar Sensor	2 required
4	D510207P	Cylinder Seal Assembly	
	D511637P	Adhesive	Apply to cylinder seal
	RB170001	Seal Kit	Includes 2 cylinder seals, 510238P Blower Housing Seal and D511637P Adhesive
5	D510102LG	Cylinder Baffle	3 required; Light gray; Models ATEE9ASP133DN04, ATEE9ASP455LN01, ATEE9ASP543DN04, ATGE9ASP123DN04, ATGE9ASP543DN04 and ATHE9ASP455NN29
	D510102W	Cylinder Baffle	3 required; All other models
6	D510265LGP	Cylinder Assembly	Galvanized; Models ATEE9ASP133DN04, ATEE9ASP455LN01, ATEE9ASP543DN04, ATGE9ASP123DN04, ATGE9ASP543DN04 and ATHE9ASP455NN29
	D510265WP	Cylinder Assembly	Galvanized; Includes item 3; All other models
	D510159WP	Cylinder Assembly	White
7	62588	Screw	
8	D512082P	Drying Rack	
9	D503688	Screw	
10	D510189	Felt Pad	2 required
11	D513710	Cylinder Glide	2 required
12	RB170003	Glide Kit	Includes items 10 and 11
13	D510145	Cylinder Glide Bracket	2 required
14	D515534	Front Bulkhead Assembly	Galvanized; Includes items 1-4, and 10-13; Models ATEE9ASP433XW34, ATEE9ASP435XW34, ATEE9ASP453LW26, ATEE9ASP455LN01, ATEE9ASP455LW01, ATEE9ASP543DN04, ATEE9ASP543DW04, ATEE9ASP545DW04, ATEE9ASP565XW01, ATGE9ASP303XW26, ATGE9ASP305XW01, ATGE9ASP543DN04, ATGE9ASP543DW04, ATGE9ASP545DW04, ATHE9ASP453NW29, ATHE9ASP455NN29 and ATHE9ASP455NW29
	D515533	Front Bulkhead Assembly	Galvanized; Includes items 1-4, and 10-13; Models ATEE9ASP133DN04, ATEE9ASP133DW04, ATGE9ASP123DN04, ATGE9ASP123DW04 and ATGE9ASP125DW04
	D515532	Front Bulkhead Assembly	Includes items 1-4 and 10-13; All other models

Cylinder Light (Drawing 1 of 2)

Models ATEE9AGP435AW01, ATEE9ASG453NW36, ATEE9ASG455NW36, ATEE9ASP133DN04, ATEE9ASP133DW04, ATEE9ASP283CW01, ATEE9ASP285CW01, ATEE9ASP285CW14, ATEE9ASP433XW34, ATEE9ASP435XW34, ATEE9ASP453LW26, ATEE9ASP455LN01, ATEE9ASP455LW01, ATEE9ASP543DN04, ATEE9ASP543DW04, ATEE9ASP545DW04, ATEE9ASP565XW01, ATEE9AWP433AW01, ATEE9AWP435AW01 and ATLE9ASP305LW01



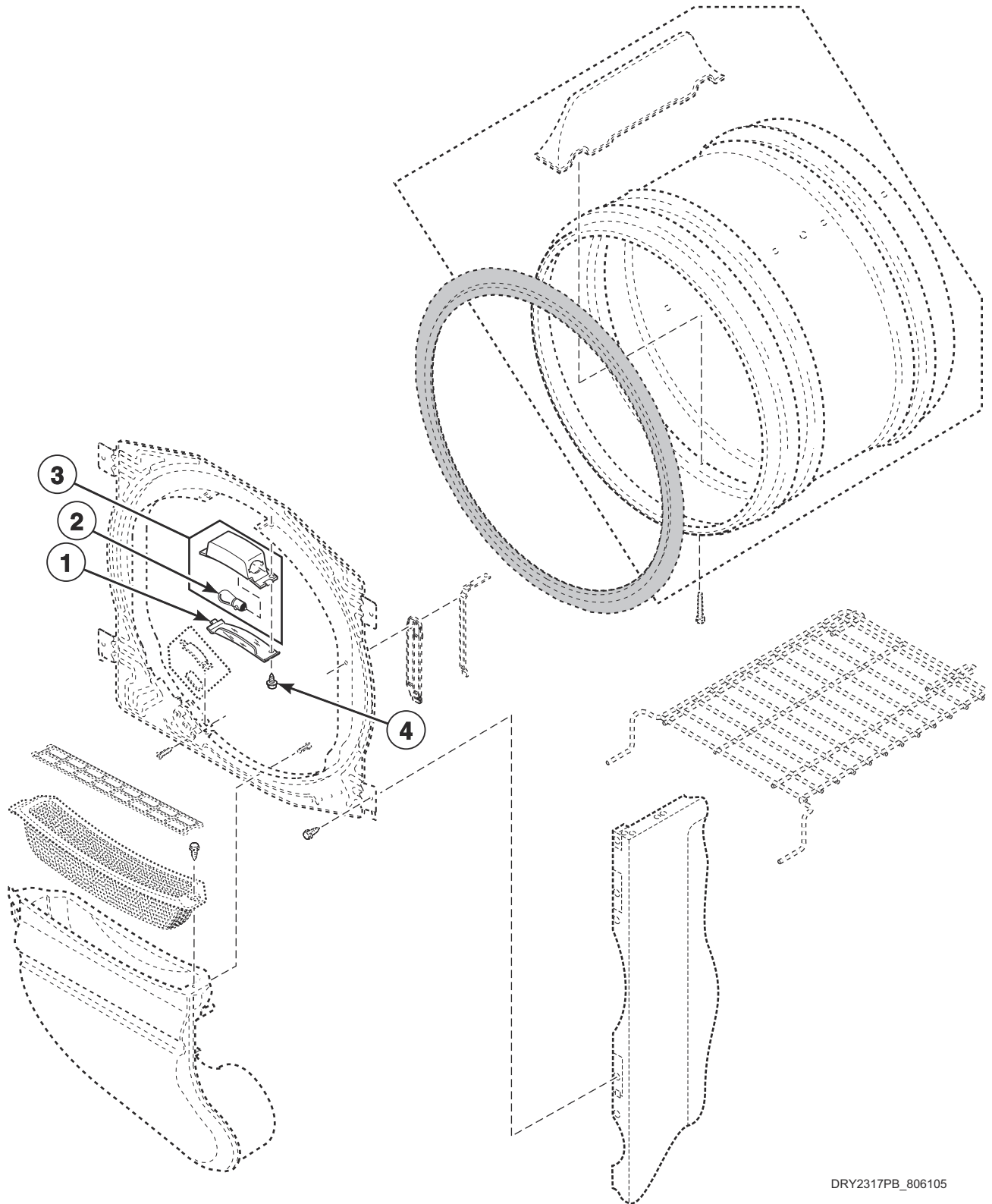
DRY2317PB_806105

Cylinder Light (Drawing 1 of 2)

REF	PART NO.	DESCRIPTION	COMMENTS
1	D512106	Cylinder Light Lens	
2	D503579	Drum Light Lamp	Models ATEE9AGP435AW01, ATEE9ASG453NW36, ATEE9ASG455NW36, ATEE9ASP433XW34, ATEE9ASP435XW34, ATEE9ASP453LW26, ATEE9ASP455LN01, ATEE9ASP455LW01, ATEE9ASP543DN04, ATEE9ASP543DW04, ATEE9ASP545DW04, ATEE9ASP565XW01, ATEE9AWP433AW01 and ATEE9AWP435AW01
	60954	Drum Light Lamp	Models ATEE9ASP133DN04, ATEE9ASP133DW04, ATEE9ASP283CW01, ATEE9ASP285CW01 and ATEE9ASP285CW14
3	D512108	Light Housing Assembly	120 Volt; Includes item 2; Models ATEE9ASP133DN04, ATEE9ASP133DW04, ATEE9ASP283CW01, ATEE9ASP285CW01 and ATEE9ASP285CW14
	D517422	Cylinder Light Assembly	240 Volt; Includes item 2; Models ATEE9AGP435AW01, ATEE9ASG453NW36, ATEE9ASG455NW36, ATEE9ASP433XW34, ATEE9ASP435XW34, ATEE9ASP453LW26, ATEE9ASP455LN01, ATEE9ASP455LW01, ATEE9ASP543DN04, ATEE9ASP543DW04, ATEE9ASP545DW04, ATEE9ASP565XW01, ATEE9AWP433AW01, ATEE9AWP435AW01 and ATLE9ASP305LW01
4	D500227	Screw	

Cylinder Light (Drawing 2 of 2)

Models ATGE9AGP305AW01, ATGE9ASP093CW01, ATGE9ASP095CW01, ATGE9ASP095CW14, ATGE9ASP123DN04, ATGE9ASP123DW04, ATGE9ASP125DW04, ATGE9ASP303XW01, ATGE9ASP303XW26, ATGE9ASP305XW01, ATGE9ASP543DN04, ATGE9ASP543DW04, ATGE9ASP545DW04, ATGE9AWP303AW01, ATGE9AWP305AW01, ATHE9ASP453NW29, ATHE9ASP455NN29 and ATHE9ASP455NW29



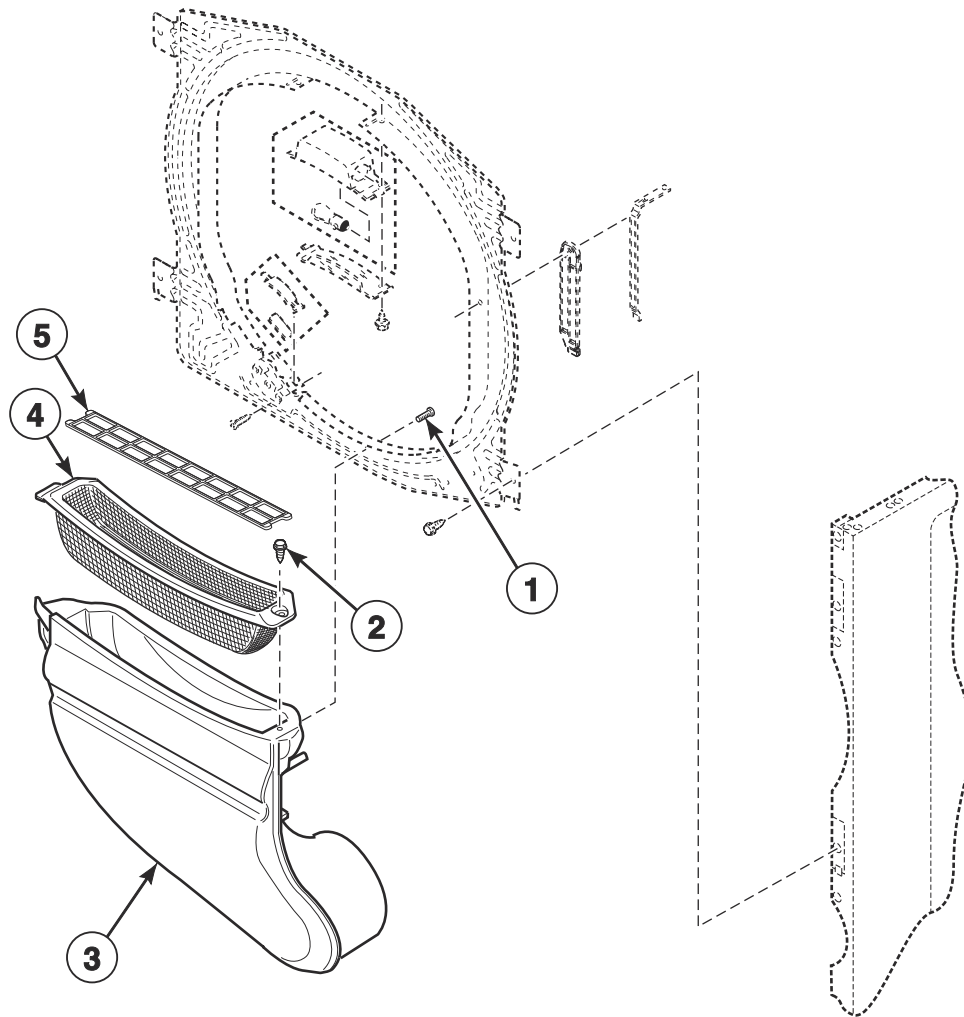
DRY2317PB_806105

Cylinder Light (Drawing 2 of 2)

REF	PART NO.	DESCRIPTION	COMMENTS
1	D512106	Cylinder Light Lens	
2	D503579	Drum Light Lamp	Models ATGE9AGP305AW01, ATGE9ASP303XW01, ATGE9ASP303XW26, ATGE9ASP305XW01, ATGE9ASP543DN04, ATGE9ASP543DW04, ATGE9ASP545DW04, ATGE9AWP303AW01, ATGE9AWP305AW01, ATHE9ASP453NW29, ATHE9ASP455NN29 and ATHE9ASP455NW29
	60954	Drum Light Lamp	Models ATGE9ASP093CW01, ATGE9ASP095CW01, ATGE9ASP095CW14, ATGE9ASP123DN04, ATGE9ASP123DW04 and ATGE9ASP125DW04
3	D512108	Light Housing Assembly	120 Volt; Includes item 2; Models ATGE9ASP093CW01, ATGE9ASP095CW01, ATGE9ASP095CW14, ATGE9ASP123DN04, ATGE9ASP123DW04 and ATGE9ASP125DW04
	D517422	Cylinder Light Assembly	240 Volt; Includes item 2; Models ATGE9AGP305AW01, ATGE9ASP303XW01, ATGE9ASP303XW26, ATGE9ASP305XW01, ATGE9ASP543DN04, ATGE9ASP543DW04, ATGE9ASP545DW04, ATGE9AWP303AW01, ATGE9AWP305AW01, ATHE9ASP453NW29, ATHE9ASP455NN29 and ATHE9ASP455NW29
4	D500227	Screw	

Air Duct (Drawing 1 of 3)

Models ATEE9ASP283CW01, ATEE9ASP285CW01, ATEE9ASP285CW14, ATGE9ASP093CW01, ATGE9ASP095CW01, ATGE9ASP095CW14, BTEE6ASP173TW01, BTEE6ASP283CW01, LTEA5FSP153TW01, LTEA5FSP153TW04, LTEA5FSP173TW01, LTEA5FSP173TW04, LTEE5ASP153TW01, LTEE5ASP155TW01, LTEE5ASP173TW01, LTEE5ASP175TW01, LTEE5ASP283CW01, LTEE5ASP285CW01, LTEE5ASP293CW01, LTEE5ASP295CW01, LTEE5FSP175TW01, LTEE5FSP275TW01, LTGE5ASP093CW01, LTGE5ASP095CW01, LTGE5ASP115TW01, LTGE5FSP115TW01, PTEE3FSP173TG01, PTEE3FSP175TG01, PTEE3FSP175TW01, PTEE3FSP283CG01, PTEE3FSP285CG01, PTGE3FSP093CG01, PTGE3FSP095CG01, PTGE3FSP115TG01, PTGE3FSP115TW01, UTEE5ASP173TW01, UTEE5ASP173TW08, UTEE5ASP175TW01, UTEE5ASP175TW08, UTEE5ASP283CW01, UTEE5ASP285CW01, UTGE5ASP115TW01, UTGE5ASP115TW08, YTEE5ASP173TW01, YTEE5ASP175TW01, YTEE5ASP283CW01, YTEE5ASP285CW01, YTGE5ASP095CW01 and YTGE5ASP115TW01



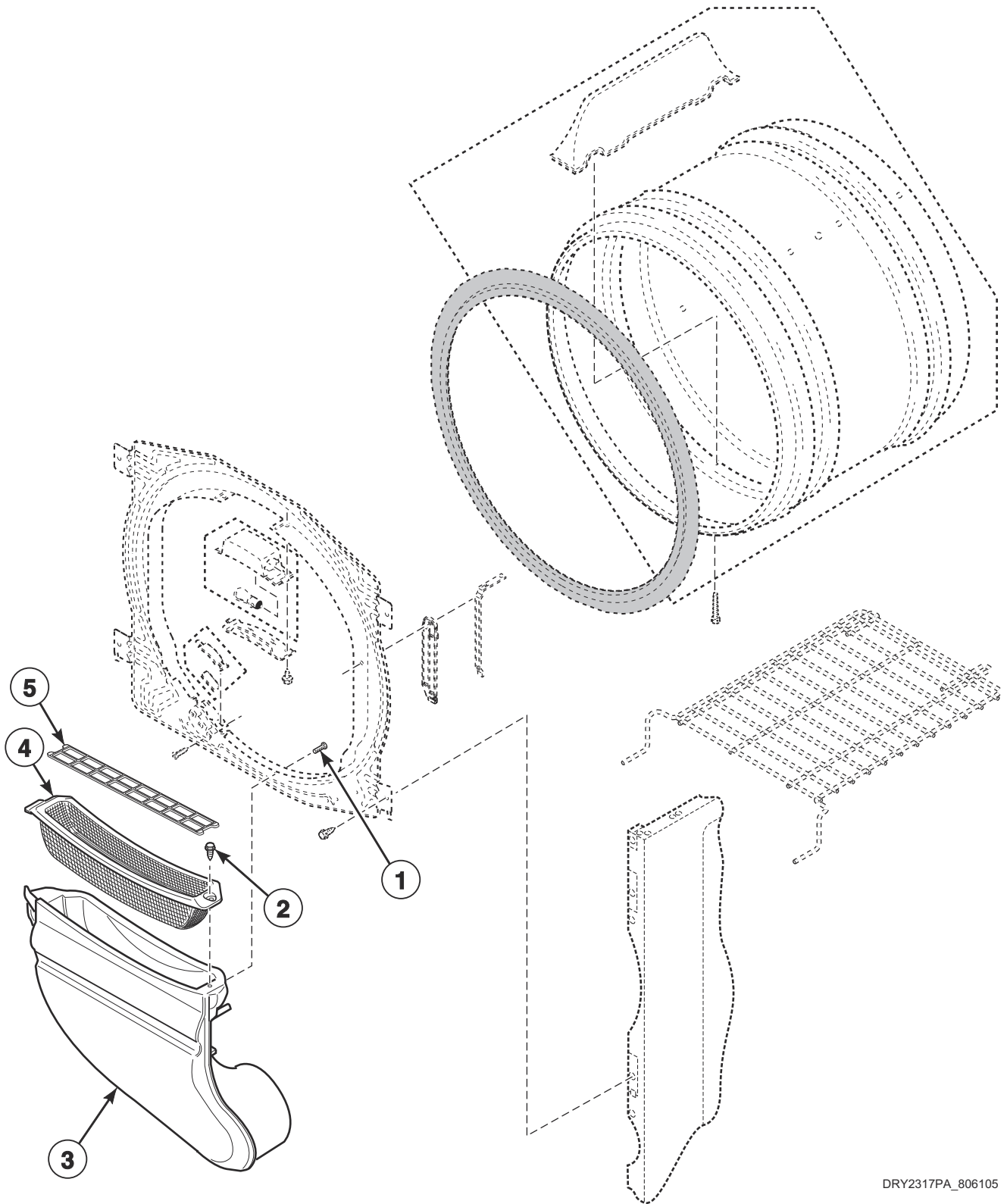
DRY2496P_806105

Air Duct (Drawing 1 of 3)

REF	PART NO.	DESCRIPTION	COMMENTS
1	D501086	Screw	
2	D501285	Screw	
3	D515805LG	Air Duct Assembly	
4	D503980LG	Lint Filter	Light gray; Through Serial Nos. beginning 1711
	D503980W	Lint Filter	White; Starting Serial Nos. beginning 1711
5	D510502LG	Lint Filter Cover	

Air Duct (Drawing 2 of 3)

Models BTGE6ASP093CW01, BTGE6ASP113TW01, LTGA5FSP113TW01, LTGE5ASP113TW01, PTGE3FSP113TG01, UTGE5ASP113TW01, UTGE5ASP113TW08, YTGE5ASP093CW01 and YTGE5ASP113TW01



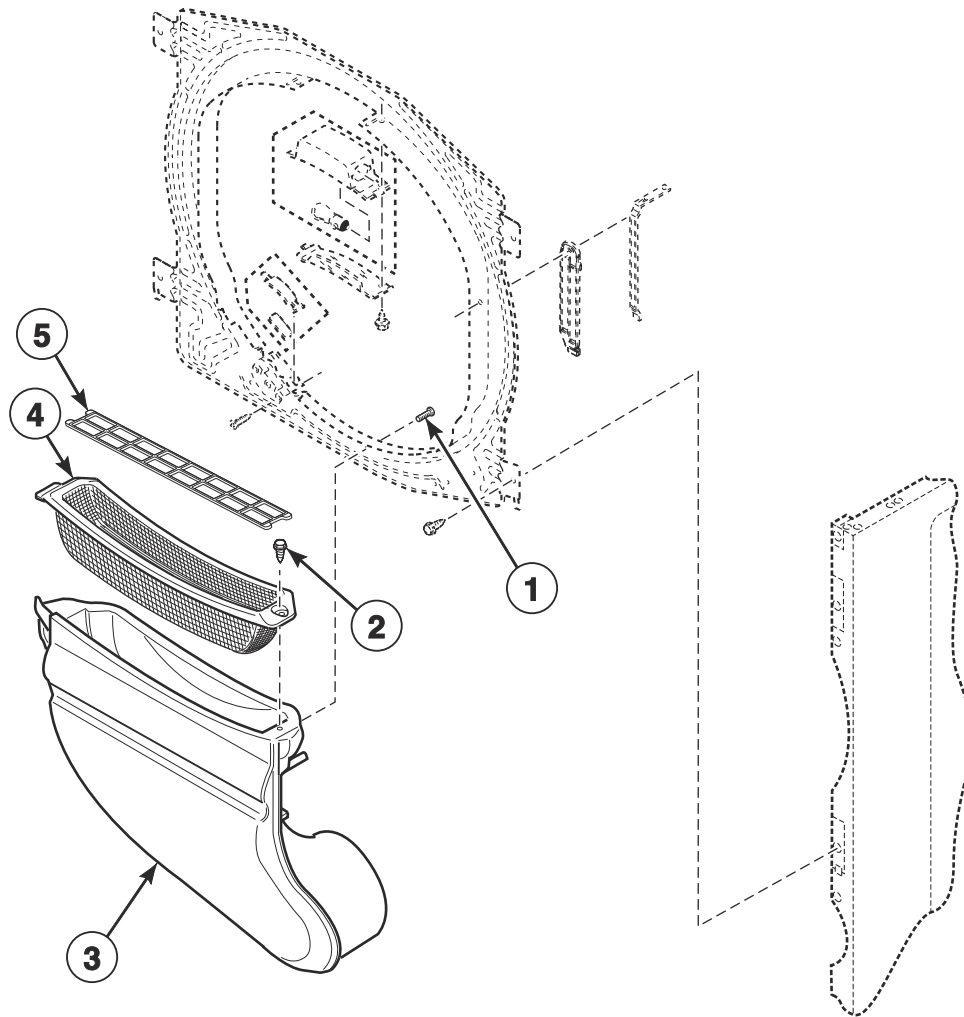
DRY2317PA_806105

Air Duct (Drawing 2 of 3)

REF	PART NO.	DESCRIPTION	COMMENTS
1	D501086	Screw	
2	D501285	Screw	
3	D510151W	Air Duct Assembly	Through Serial No. 1606000838
	D515805LG	Air Duct Assembly	Starting Serial No. 1606000839
4	D503980LG	Lint Filter	Light gray; Starting Serial No. 1606000839 and continuing through Serial Nos. beginning 1711
	D503980W	Lint Filter	White; Through Serial No. 1606000838 and starting again with Serial Nos. beginning 1711
5	D510502W	Lint Filter Cover	Through Serial No. 1606000838
	D510502LG	Lint Filter Cover	Starting Serial No. 1606000839

Air Duct (Drawing 3 of 3)

Models ATEE9AGP435AW01, ATEE9ASG453NW36, ATEE9ASG455NW36, ATEE9ASP133DN04, ATEE9ASP133DW04, ATEE9ASP433XW34, ATEE9ASP435XW34, ATEE9ASP453LW26, ATEE9ASP455LN01, ATEE9ASP455LW01, ATEE9ASP543DN04, ATEE9ASP543DW04, ATEE9ASP545DW04, ATEE9ASP565XW01, ATEE9AWP433AW01, ATEE9AWP435AW01, ATGE9AGP305AW01, ATGE9ASP123DN04, ATGE9ASP123DW04, ATGE9ASP125DW04, ATGE9ASP303XW01, ATGE9ASP303XW26, ATGE9ASP305XW01, ATGE9ASP543DN04, ATGE9ASP543DW04, ATGE9ASP545DW04, ATGE9AWP303AW01, ATGE9AWP305AW01, ATHE9ASP453NW29, ATHE9ASP455NN29, ATHE9ASP455NW29, ATLE9ASP305LW01, FTEE5ASP303NW10, FTEE5ASP303ZW01, FTEE5ASP433LW01, FTGE5ASP303NW10, LTEE5AGP133ZW30, LTEE5ASP133FW01, LTEE5ASP303WW01, LTEE5ASP303WW37, LTEE5ASP303ZW01, LTEE5ASP333NW01, LTEE5ASP433AW01, LTEE5ASP433AW12, LTEE5ASP453VW26, LTEE5ASP543NW01, LTEE5ASP543NW23, LTEE5ASP543RW01, LTEE5ASP553KW01, LTGE5ASP113FW01, LTGE5ASP113JW01, LTGE5ASP303AW01, LTGE5ASP303AW12, LTLE5ASP303LW01, LTLE5ASP303NW35, LTLE5ASP543NW23, LTME5ASP543KW01, PTEE3FSP433AG01, PTGE3FSP303AG01, TTEE5ASP303NW36, TTPE5ASP303NW36, YTEE5ASP133FW01, YTEE5ASP303NW10, YTGE5ASP113FW01 and YTGE5ASP303NW21

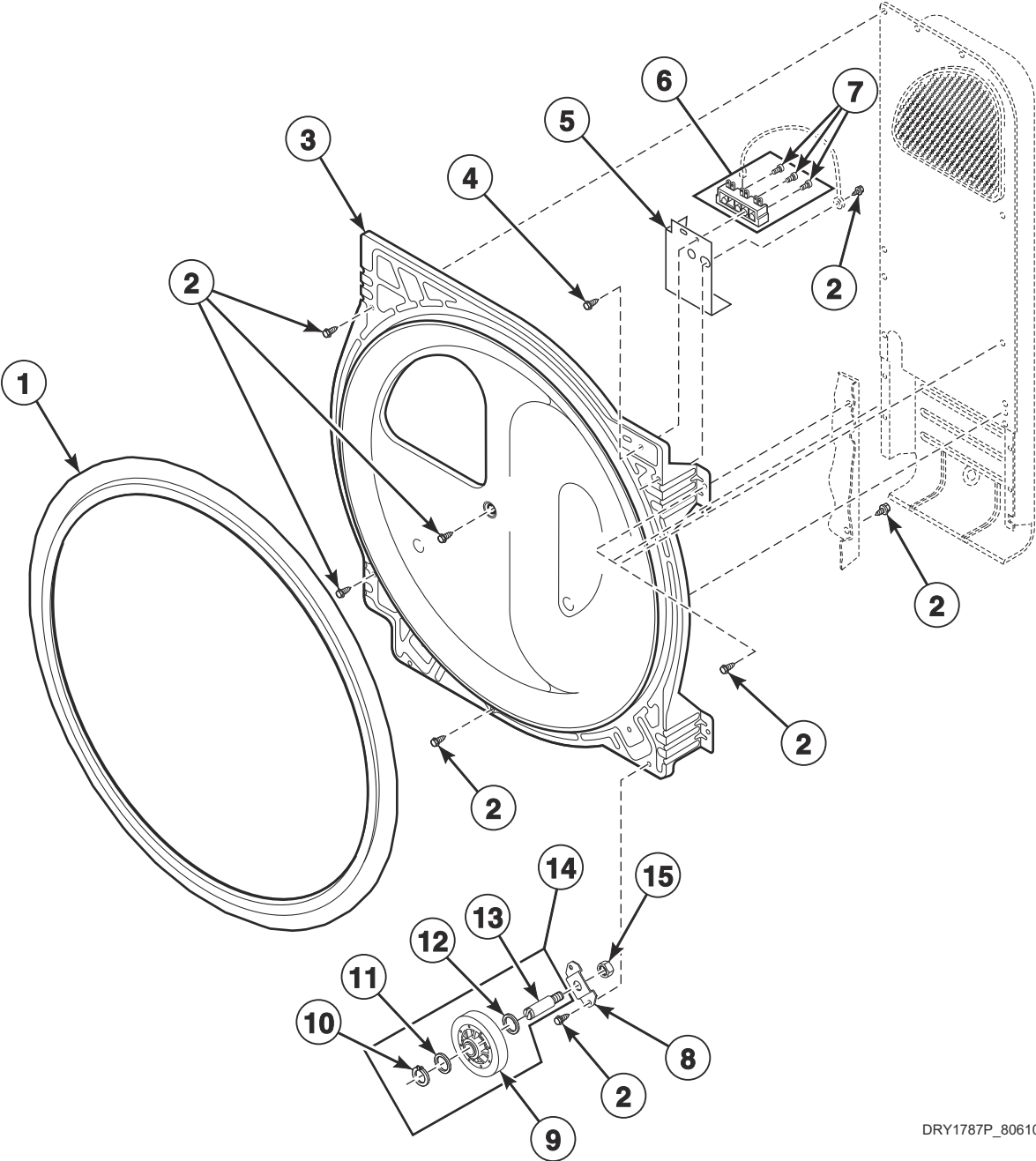


DRY2496P_806105

Air Duct (Drawing 3 of 3)

REF	PART NO.	DESCRIPTION	COMMENTS
1	D501086	Screw	
2	D501285	Screw	
3	D515805LG	Air Duct Assembly	Models ATEE9ASP133DN04, ATEE9ASP455LN01, ATEE9ASP543DN04, ATGE9ASP123DN04, ATGE9ASP543DN04 and ATHE9ASP455NN29
	D510151W	Air Duct Assembly	All other models
4	D503980LG	Lint Filter	Light gray; Models ATEE9ASP133DN04, ATEE9ASP455LN01, ATEE9ASP543DN04, ATGE9ASP123DN04, ATGE9ASP543DN04 and ATHE9ASP455NN29
	D503980W	Lint Filter	White; All other models
5	D510502LG	Lint Filter Cover	Models ATEE9ASP133DN04, ATEE9ASP543DN04, ATGE9ASP123DN04, ATGE9ASP543DN04 and ATHE9ASP455NN29
	D510502W	Lint Filter Cover	All other models

Rear Bulkhead, Felt Seal, Cylinder Roller and Terminal Block



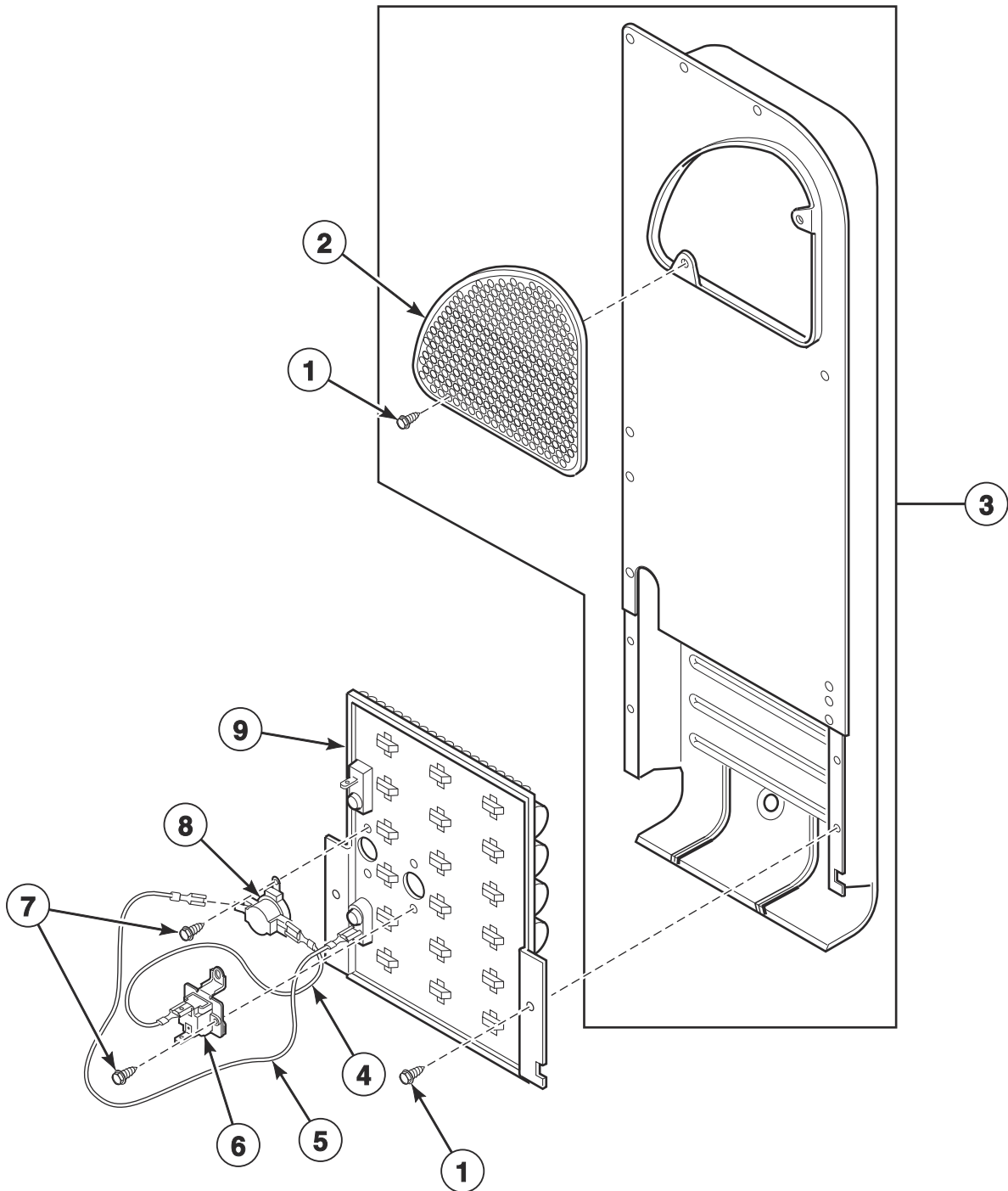
DRY1787P_806105

Rear Bulkhead, Felt Seal, Cylinder Roller and Terminal Block

REF	PART NO.	DESCRIPTION	COMMENTS
1	D510207P	Cylinder Seal Assembly	
	D511637P	Adhesive	Apply to cylinder seal
	RB170001	Seal Kit	Includes 2 cylinder seals, D510238P Blower Housing Seal and D511637P Adhesive
2	D503688	Screw	
3	D511082P	Rear Bulkhead Assembly	Galvanized; Includes item 1
	D510905WP	Rear Bulkhead Assembly	White; Includes item 1
4	D501285	Screw	Electric models; Models ATGE9ASP093CW01, ATGE9ASP095CW01, ATGE9ASP095CW14, BTGE6ASP093CW01, LTGE5ASP093CW01, LTGE5ASP095CW01, PTGE3FSP093CG01, PTGE3FSP095CG01, YTGE5ASP093CW01 and YTGE5ASP095CW01
5	D510237	Terminal Block Shield	Models ATEE9ASP283CW01, ATEE9ASP285CW01, ATEE9ASP285CW14, BTEE6ASP173TW01, BTEE6ASP283CW01, LTEA5FSP153TW01, LTEA5FSP153TW04, LTEA5FSP173TW01, LTEA5FSP173TW04, LTEE5ASP153TW01, LTEE5ASP155TW01, LTEE5ASP173TW01, LTEE5ASP175TW01, LTEE5ASP283CW01, LTEE5ASP285CW01, LTEE5ASP293CW01, LTEE5ASP295CW01, LTEE5ASP333NW01, LTEE5ASP543NW01, LTEE5FSP175TW01, LTEE5FSP275TW01, PTEE3FSP173TG01, PTEE3FSP175TG01, PTEE3FSP175TW01, UTEE5ASP173TW01, UTEE5ASP173TW08, UTEE5ASP175TW01, UTEE5ASP175TW08, UTEE5ASP283CW01, UTEE5ASP285CW01, YTEE5ASP173TW01, YTEE5ASP175TW01, YTEE5ASP283CW01 and YTEE5ASP285CW01; Through Serial No. 1903000001
	D514330	Terminal Block Shield	Models ATEE9AGP435AW01, ATEE9ASG453NW36, ATEE9ASG455NW36, ATEE9ASP133DN04, ATEE9ASP133DW04, ATEE9ASP433XW34, ATEE9ASP435XW34, ATEE9ASP453LW26, ATEE9ASP455LN01, ATEE9ASP455LW01, ATEE9ASP543DN04, ATEE9ASP543DW04, ATEE9ASP545DW04, ATEE9ASP565XW01, ATEE9AWP433AW01, ATEE9AWP435AW01, ATHE9ASP453NW29, ATHE9ASP455NN29, ATHE9ASP455NW29, FTEE5ASP303ZW01, FTEE5ASP433LW01, FTGE5ASP303NW10, LTEE5AGP133ZW30, LTEE5ASP133FW01, LTEE5ASP303WW01, LTEE5ASP303WW37, LTEE5ASP303ZW01, LTEE5ASP433AW01, LTEE5ASP433AW12, LTEE5ASP453VW26, LTEE5ASP543RW01, LTEE5ASP553KW01, LTLE5ASP543NW23, PTEE3FSP433AG01, TTHE5ASP303NW36, TTPE5ASP303NW36, YTEE5ASP133FW01 and YTEE5ASP303NW10
6	D510190P	Terminal Block Assembly	Includes 3 of item 7; Electric models; Models ATGE9ASP093CW01, ATGE9ASP095CW14, BTGE6ASP093CW01, LTGE5ASP093CW01, LTGE5ASP095CW01, PTGE3FSP093CG01, PTGE3FSP095CG01, YTGE5ASP093CW01 and YTGE5ASP095CW01
7	61199	Screw	
8	D510100	Cylinder Roller Bracket	
9	D510708P	Cylinder Roller	
10	23748	Retaining Ring	
11	52549	Washer	
12	D504082	Washer	
13	56461P	Shaft	
14	RB170002	Roller Kit	Includes 2 each of items 9-13
15	56156	Nut	

Heater Duct and Element Assembly

Electric Models



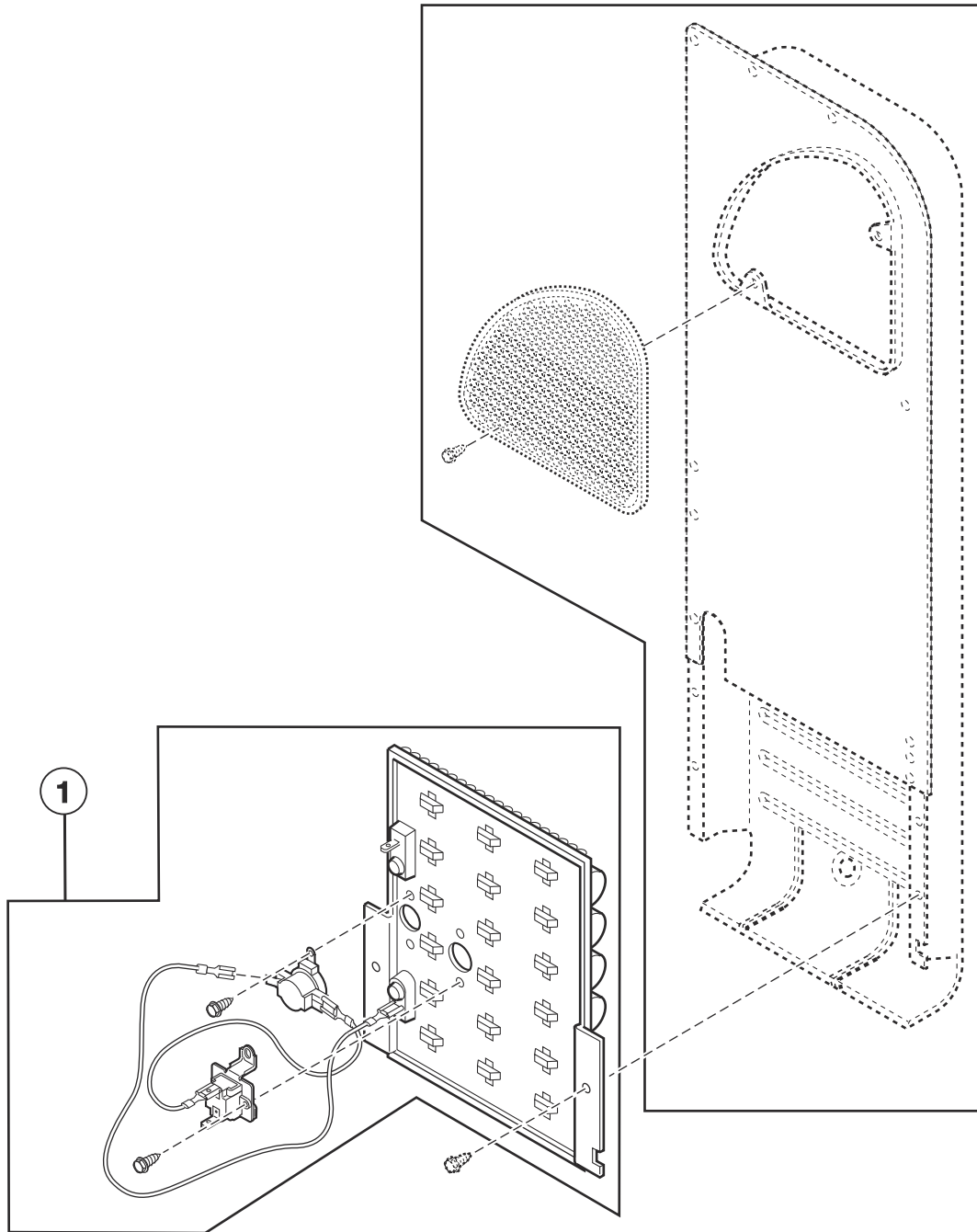
DRY1789P_806105

Heater Duct and Element Assembly

REF	PART NO.	DESCRIPTION	COMMENTS
1	D503688	Screw	
2	D515573	Outlet Cover	Black; Nitrocarburized
	D500820	Outlet Cover	Aluminized steel
3	D510025P	Heater Duct Assembly	Includes items 1 and 2
4	D510528	Wire Assembly	Orange; Thermostat jumper; Attaches to heater assembly
5	D510527	Wire Assembly	Black; Fuse jumper; Attaches to heater assembly
6	D511412	Thermal Fuse Assembly	
7	23222	Screw	
8	D510700	Limit Thermostat	Models ATEE9ASG453NW36, ATEE9ASG455NW36, ATEE9ASP453LW26, ATEE9ASP455LN01, ATEE9ASP455LW01, ATHE9ASP453NW29, ATHE9ASP455NN29, ATHE9ASP455NW29, LTEE5ASP453VW26 and LTEE5ASP553KW01
	D515873	Limit Thermostat	Models LTEE5ASP303WW01 and LTEE5ASP303WW37
	44253901	Manual Reset Thermostat	Model ATEE9ASP565XW01
	D510701	Limit Thermostat	All other models
	D510329P	Heater Assembly	5.35 kW; 240 Volt; Models ATEE9ASP133DN04, ATEE9ASP133DW04, ATEE9ASP543DN04, ATEE9ASP543DW04, ATEE9ASP545DW04, BTEE6ASP173TW01, LTEA5FSP173TW01, LTEA5FSP173TW04, LTEE5ASP133FW01, LTEE5ASP155TW01, LTEE5ASP173TW01, LTEE5ASP175TW01, LTEE5ASP333NW01, LTEE5ASP543NW01, LTEE5ASP543NW23, LTEE5ASP543RW01, LTEE5FSP175TW01, PTEE3FSP173TG01, PTEE3FSP175TG01, PTEE3FSP175TW01, UTEE5ASP173TW01, UTEE5ASP173TW08, UTEE5ASP175TW01, UTEE5ASP175TW08, YTEE5ASP133FW01, YTEE5ASP173TW01 and YTEE5ASP175TW01; Models LTEA5FSP153TW01, LTEA5FSP153TW04 and LTEE5ASP153TW01 starting Serial Nos. beginning 1601
D510325P	Heater	4750 Watt; 208 Volt/60 Hertz; Models LTEA5FSP153TW01, LTEA5FSP153TW04 and LTEE5ASP153TW01 through Serial Nos. beginning 1512	
D510324P	Heater Assembly	5000 Watt; 240 Volt/60 Hertz; Models ATEE9ASP283CW01, ATEE9ASP285CW01, ATEE9ASP285CW14, BTEE6ASP283CW01, LTEE5ASP283CW01, LTEE5ASP285CW01, LTEE5ASP293CW01, LTEE5ASP295CW01, PTEE3FSP283CG01, PTEE3FSP285CG01, UTEE5ASP283CW01, UTEE5ASP285CW01, YTEE5ASP283CW01 and YTEE5ASP285CW01	
D510327P	Heater Assembly	4000 Watt; 240 Volt/50 Hertz; Models ATEE9AGP435AW01, ATEE9ASP433XW34, ATEE9ASP435XW34, ATEE9AWP433AW01, ATEE9AWP435AW01, FTEE5ASP433LW01, LTEE5ASP433AW01, LTEE5ASP433AW12 and PTEE3FSP433AG01	
D510326P	Heater Assembly	4800 Watt; 240 Volt/50 Hertz; Models FTEE5ASP303NW10, FTEE5ASP303ZW01, LTEE5AGP133ZW30, LTEE5ASP303WW01, LTEE5ASP303WW37, LTEE5ASP303ZW01, LTEE5FSP275TW01, TTHE5ASP303NW36 and YTEE5ASP303NW10	
D510328P	Heater Assembly	3100 Watt; 240 Volt/50 Hertz; Models ATEE9ASG453NW36, ATEE9ASG455NW36, ATEE9ASP453LW26, ATEE9ASP455LN01, ATEE9ASP455LW01, ATHE9ASP453NW29, ATHE9ASP455NN29, ATHE9ASP455NW29, LTEE5ASP453VW26 and LTEE5ASP553KW01	
D511503P	Heater Assembly	2800 Watt; 240 Volt/50 Hertz; Model ATEE9ASP565XW01	

Heater Kit Assembly

Electric Models



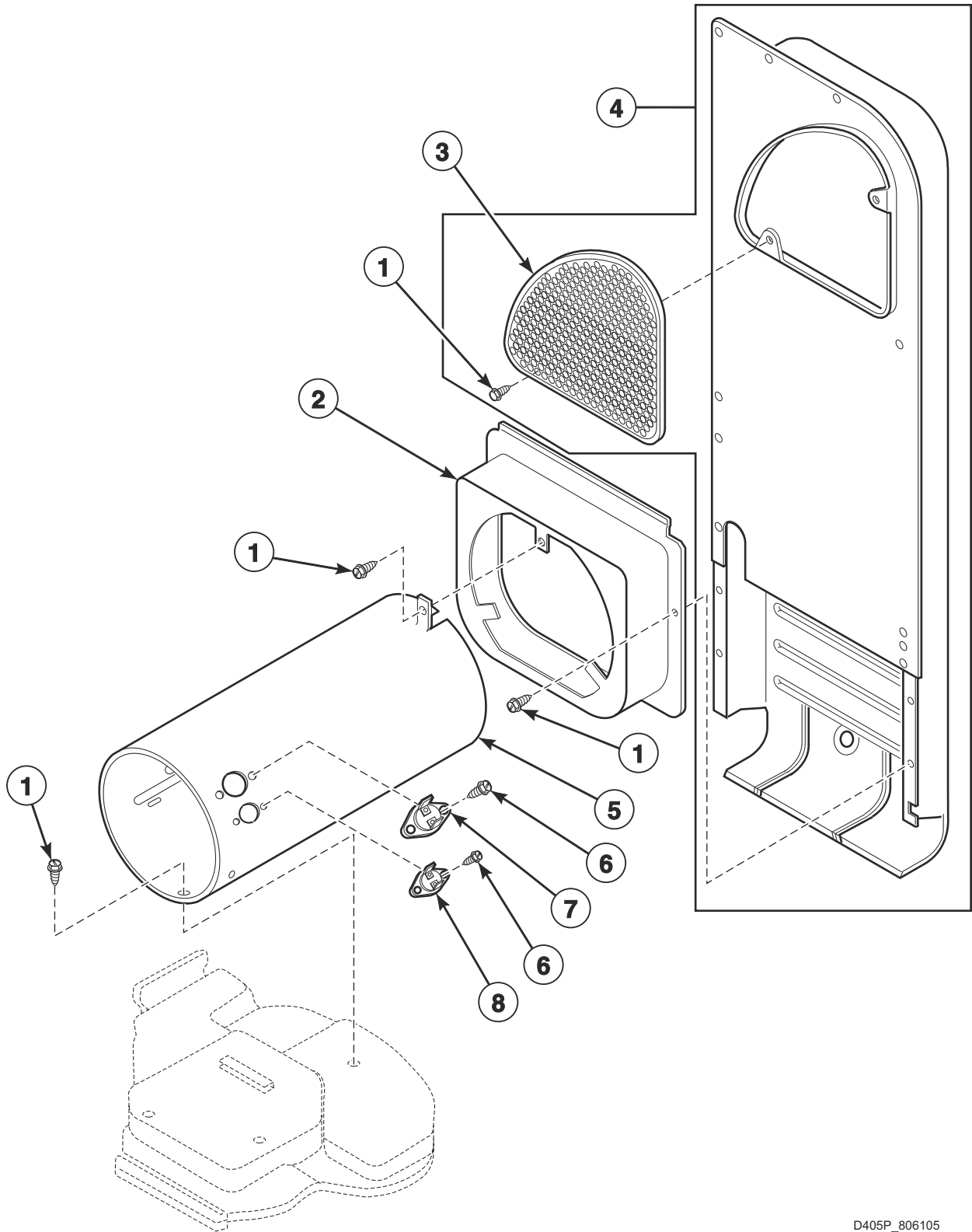
DRY1789PA_806105

Heater Kit Assembly

REF	PART NO.	DESCRIPTION	COMMENTS
1	61927	Heater Kit Assembly	5 kW; 240 Volt/60 Hertz; Includes wire assemblies, thermal fuse assembly and limit thermostat; Models ATEE9ASP283CW01, ATEE9ASP285CW01, ATEE9ASP285CW14, BTEE6ASP283CW01, LTEE5ASP283CW01, LTEE5ASP285CW01, LTEE5ASP293CW01, LTEE5ASP295CW01, PTEE3FSP283CG01, PTEE3FSP285CG01, UTEE5ASP283CW01, UTEE5ASP285CW01, YTEE5ASP283CW01 and YTEE5ASP285CW01
	964P3	Heater Kit	Includes factory-installed heater; 5.35 kW; 240 Volt; Includes wire assemblies, thermal fuse assembly and limit thermostat; Models ATEE9ASP133DN04, ATEE9ASP133DW04, ATEE9ASP543DN04, ATEE9ASP543DW04, ATEE9ASP545DW04, BTEE6ASP173TW01, LTEA5FSP173TW01, LTEA5FSP173TW04, LTEE5ASP133FW01, LTEE5ASP155TW01, LTEE5ASP173TW01, LTEE5ASP175TW01, LTEE5ASP333NW01, LTEE5ASP543NW01, LTEE5ASP543NW23, LTEE5ASP543RW01, LTEE5FSP175TW01, LTEE5FSP275TW01, PTEE3FSP173TG01, PTEE3FSP175TG01, PTEE3FSP175TW01, UTEE5ASP173TW01, UTEE5ASP173TW08, UTEE5ASP175TW01, UTEE5ASP175TW08, YTEE5ASP133FW01, YTEE5ASP173TW01 and YTEE5ASP175TW01
	61928	Heater Kit Assembly	Optional conversion; 4750 Watt; 208 Volt/60 Hertz; Models LTEA5FSP153TW01, LTEA5FSP153TW04, LTEE5ASP153TW01 and LTEE5ASP155TW01
	61930	Heater Kit Assembly	4000 Watt; 240 Volt/50 Hertz; Models ATEE9AGP435AW01, ATEE9ASP433XW34, ATEE9ASP435XW34, ATEE9AWP433AW01, ATEE9AWP435AW01, FTEE5ASP433LW01, LTEE5ASP433AW01, LTEE5ASP433AW12 and PTEE3FSP433AG01
	61929	Heater Kit Assembly	4800 Watt; 240 Volt/50 Hertz; Models FTEE5ASP303NW10, FTEE5ASP303ZW01, LTEE5AGP133ZW30, LTEE5ASP303WW01, LTEE5ASP303WW37, LTEE5ASP303ZW01, TTHE5ASP303NW36 and YTEE5ASP303NW10
	61931	Heater Kit Assembly	3100 Watt; 240 Volt/50 Hertz; Models ATEE9ASG453NW36, ATEE9ASG455NW36, ATEE9ASP453LW26, ATEE9ASP455LN01, ATEE9ASP455LW01, ATHE9ASP453NW29, ATHE9ASP455NN29, ATHE9ASP455NW29, LTEE5ASP453VW26 and LTEE5ASP553KW01

Heater Duct Assembly

Gas Models



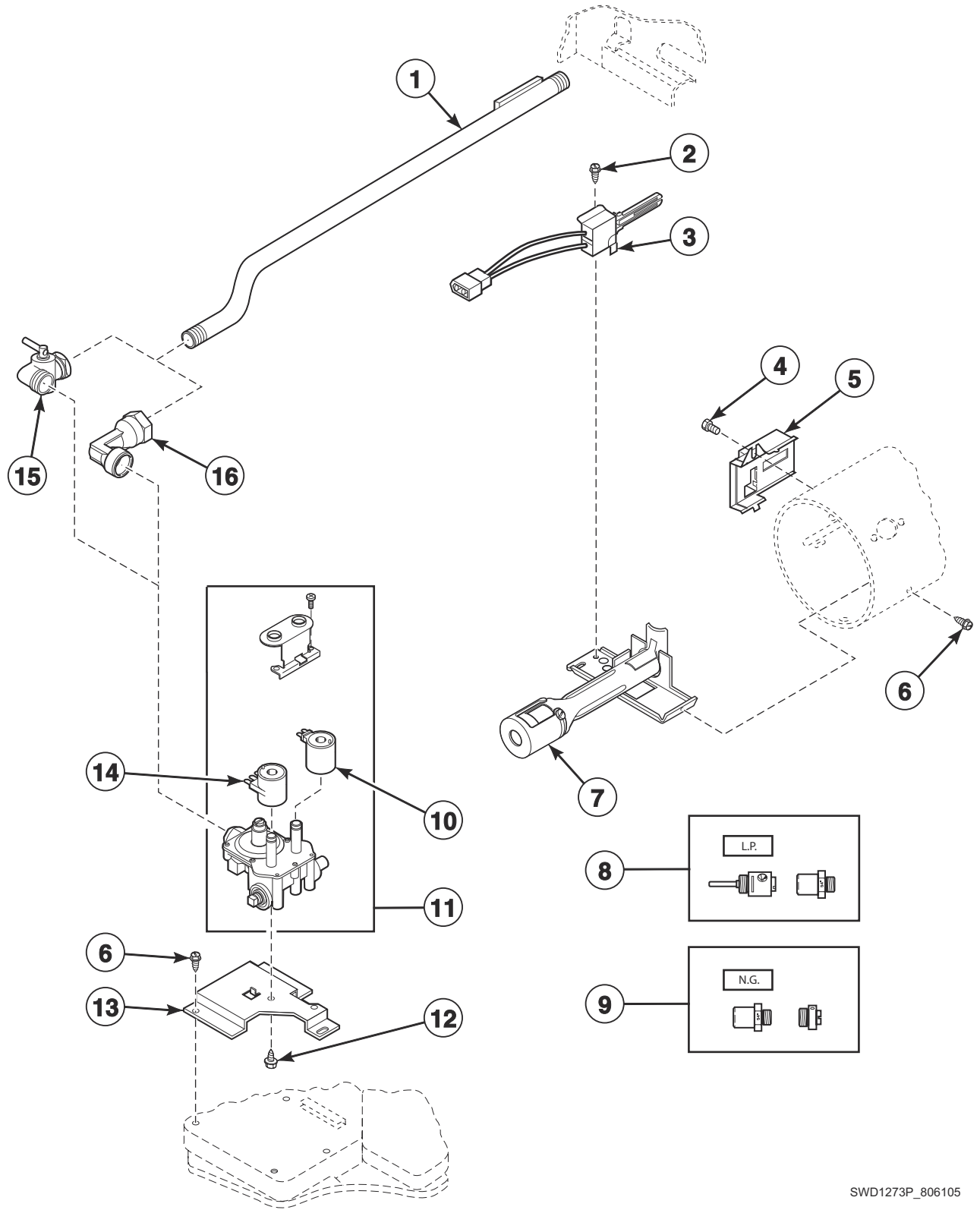
D405P_806105

Heater Duct Assembly

REF	PART NO.	DESCRIPTION	COMMENTS
1	D503688	Screw	
2	D510101	Heat Duct Shroud	
3	D515573	Outlet Cover	Black; Nitrocarburized
	D500820	Outlet Cover	Aluminized steel
4	D510025P	Heater Duct Assembly	Includes items 1 and 3
5	D510131	Combustion Duct	
6	51782	Screw	
7	D510702	Limit Thermostat	Black; Auto reset
8	D510703	Thermostat	Manual reset; Models ATGE9AGP305AW01, ATGE9ASP123DN04, ATGE9ASP123DW04, ATGE9ASP125DW04, ATGE9ASP303XW01, ATGE9ASP303XW26, ATGE9ASP305XW01, ATGE9ASP543DN04, ATGE9ASP543DW04, ATGE9ASP545DW04, ATGE9AWP303AW01, ATGE9AWP305AW01, ATLE9ASP305LW01, FTGE5ASP303NW10, LTGE5ASP113FW01, LTGE5ASP113JW01, LTGE5ASP303AW01, LTGE5ASP303AW12, LTLE5ASP303LW01, LTLE5ASP303NW35, LTLE5ASP543NW23, PTGE3FSP303AG01, YTGE5ASP113FW01 and YTGE5ASP303NW21

Gas Valve, Igniter and Gas Conversion Kits

Gas Model Dryers except LTME5ASP543KW01



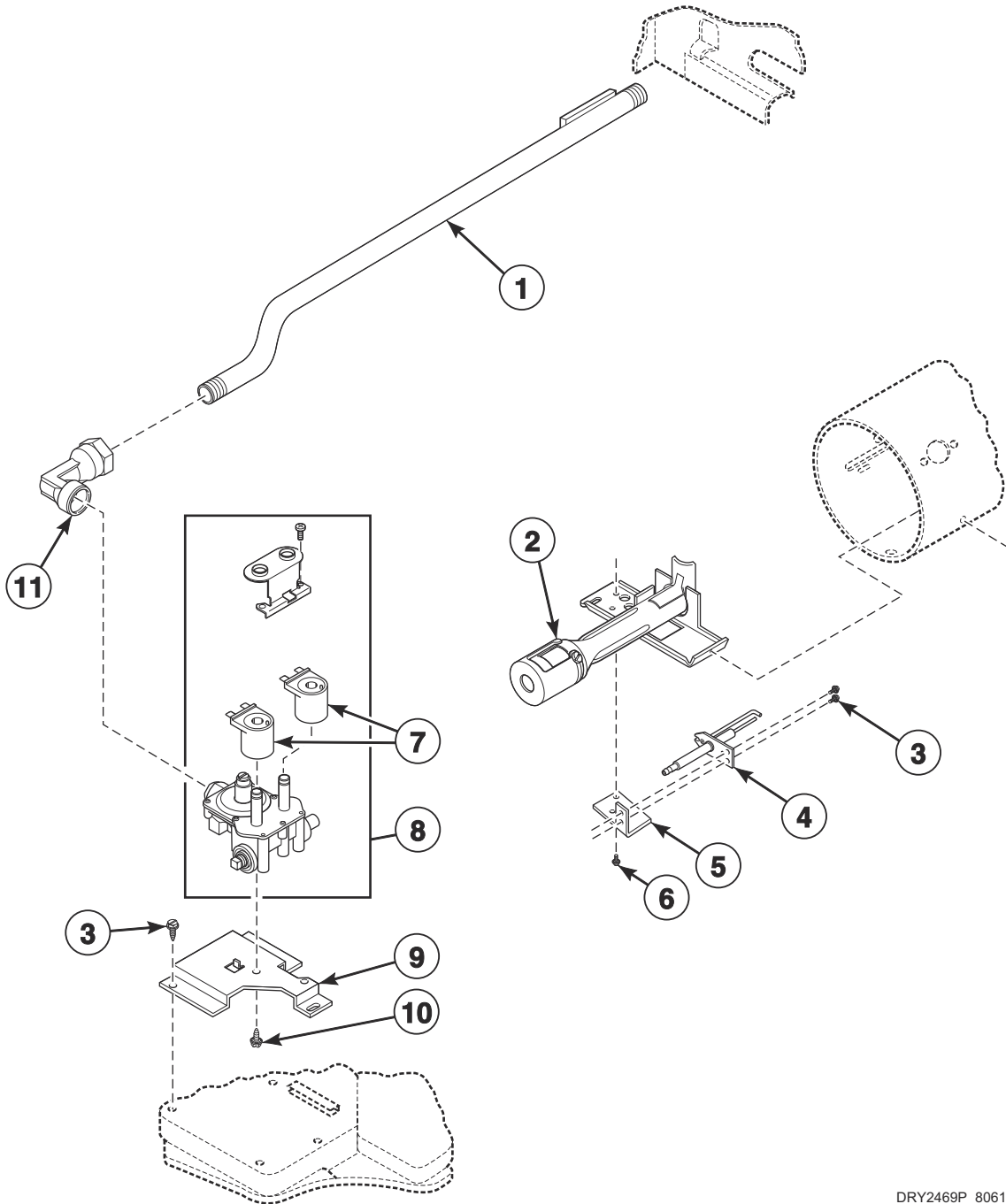
SWD1273P_806105

Gas Valve, Igniter and Gas Conversion Kits

REF	PART NO.	DESCRIPTION	COMMENTS
	D516445	T.G. Conversion Kit	Used to convert dryers from Natural Gas (N.G.) to Town Gas (T.G.); Models ATGE9ASP303XW01, ATGE9ASP303XW26 and ATGE9ASP305XW01
1	D510204	Lead-In Pipe Assembly	
2	51782	Screw	
3	D510184P	Igniter and Bracket Assembly	
4	23222	Screw	
5	D510213	Sensor	
6	D503688	Screw	
7	D510149P	Burner Assembly	
8	401P3	L.P. Conversion Kit	Used to convert dryers from Natural Gas (N.G.) or Mixed Gas to Liquid Petroleum Gas (L.P.); 20,000 Btu; Models ATGE9AGP305AW01, ATGE9ASP303XW01, ATGE9ASP303XW26, ATGE9ASP305XW01, ATGE9AWP303AW01, ATGE9AWP305AW01, FTGE5ASP303NW10, LTGE5ASP303AW01, LTGE5ASP303AW12, PTGE3FSP303AG01 and YTGE5ASP303NW21
	649P3	L.P. Conversion Kit	Used to convert dryers from N.G. or Mixed Gas to L.P.; 22,500 Btu; All other models
9	402P3	N.G. Conversion Kit	Used to convert dryers from L.P. to N.G. or Mixed Gas; 20,000 Btu; Models ATGE9AGP305AW01, ATGE9ASP303XW01, ATGE9ASP303XW26, ATGE9ASP305XW01, ATGE9AWP303AW01, ATGE9AWP305AW01, FTGE5ASP303NW10, LTGE5ASP303AW01, LTGE5ASP303AW12, PTGE3FSP303AG01 and YTGE5ASP303NW21
	650P3	N.G. Conversion Kit	Used to convert dryers from L.P. to N.G. or Mixed Gas; 22,500 Btu; All other models
10	58804B	Secondary Coil	
11	D513630	Gas Valve Assembly	20,000 Btu; Includes items 10 and 14; Models ATLE9ASP305LW01, LTLE5ASP303LW01, LTLE5ASP303NW35 and TTPE5ASP303NW36
	D513631	Gas Valve Assembly	22,500 Btu; Includes items 10 and 14; Model LTLE5ASP543NW23
	59063P	Gas Valve Assembly	50 Hertz, 20,000 Btu; Models ATGE9AGP305AW01, ATGE9ASP303XW01, ATGE9ASP303XW26, ATGE9ASP305XW01, ATGE9AWP303AW01, ATGE9AWP305AW01, FTGE5ASP303NW10, LTGE5ASP303AW01, LTGE5ASP303AW12, PTGE3FSP303AG01 and YTGE5ASP303NW21
	D510506P	Gas Valve Assembly	60 Hertz, 22,500 Btu; All other models
12	56124	Screw	
13	D510128	Gas Valve Mounting Bracket	
14	58804A	Booster and Holding Coil	
15	D510205	Elbow Shut-Off Valve	Models ATGE9ASP303XW01, ATGE9ASP303XW26, ATGE9AWP303AW01, ATLE9ASP305LW01, FTGE5ASP303NW10, LTGE5ASP303AW01, LTGE5ASP303AW12, LTLE5ASP303LW01, LTLE5ASP303NW35, LTLE5ASP543NW23, PTGE3FSP303AG01 and YTGE5ASP303NW21 through Serial Nos. beginning 1707
16	D513072	Elbow	

Gas Valve

Model LTME5ASP543KW01



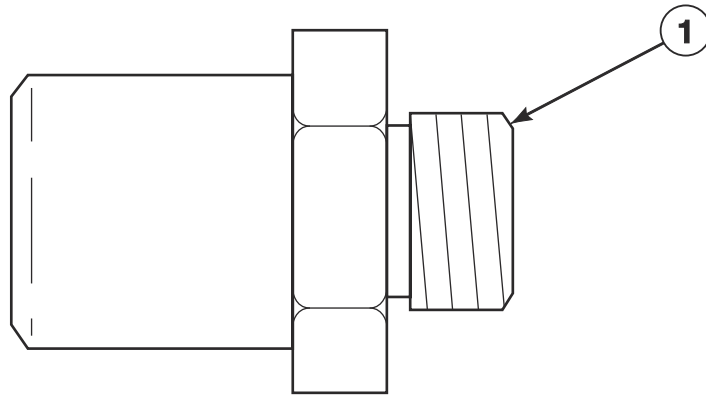
DRY2469P_806105

Gas Valve

REF	PART NO.	DESCRIPTION	COMMENTS
1	D510204	Lead-In Pipe Assembly	
2	D510149P	Burner Assembly	
3	D503688	Screw	
4	44328701P	Spark Electrode	
5	D516238	Bracket	
6	51782	Screw	
7	D516699	Gas Valve Coil	24 Vac; 50-60 Hertz
8	D516182	Gas Valve Assembly	
9	D510128	Gas Valve Mounting Bracket	
10	56124	Screw	
11	D513072	Elbow	

Burner Orifice Spuds - For Higher Elevations

Gas Models

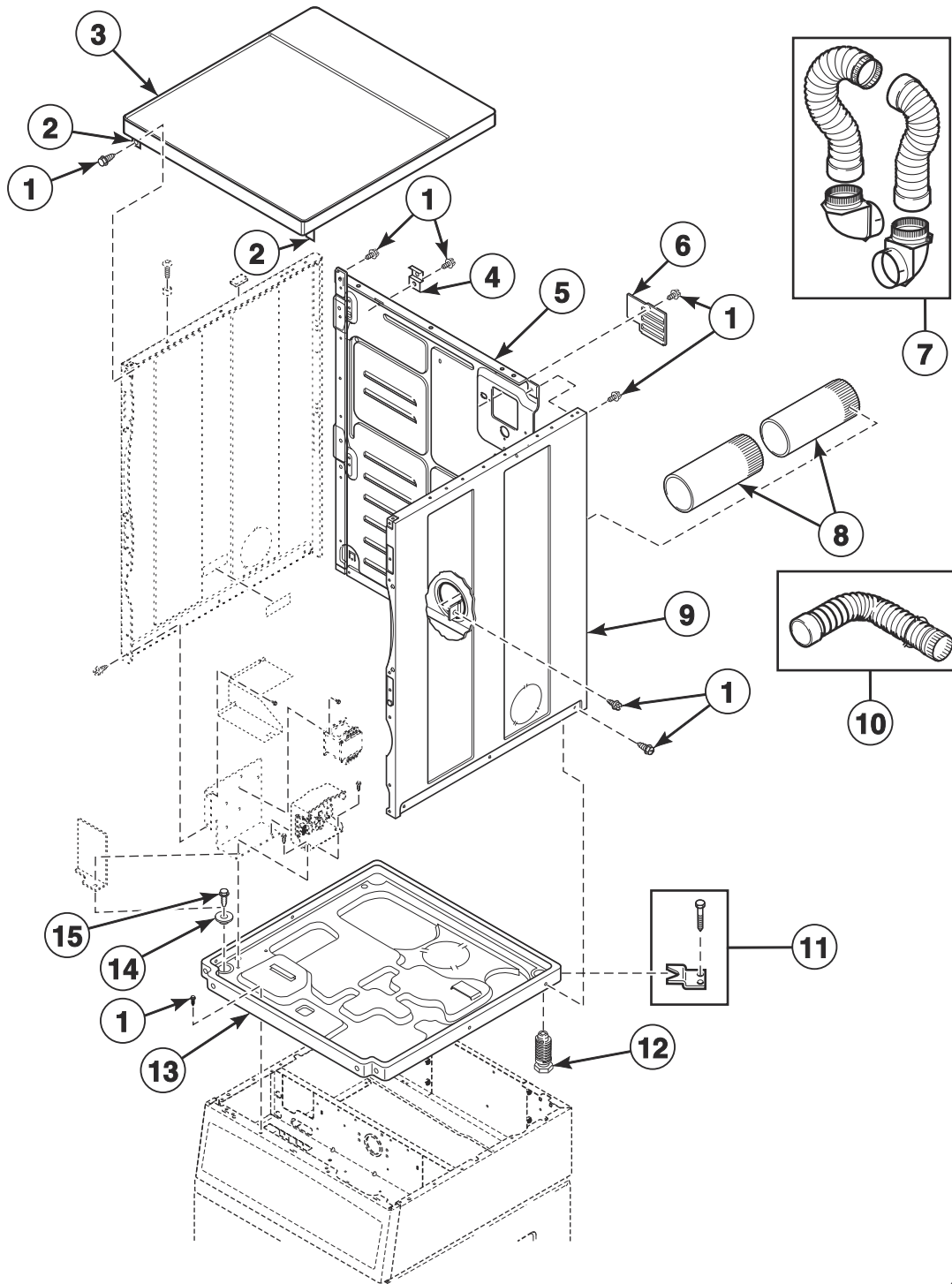


DRY2266P_806105

Burner Orifice Spuds - For Higher Elevations

REF	PART NO.	DESCRIPTION	COMMENTS
1	58755	L.P. Orifice	22,500 Btu; 3000-7999 feet (915-2439 m)
	D503786	L.P. Orifice	22,500 Btu; 8000 feet (2440 m) and higher
	D503778	N.G. Orifice	22,500 Btu; 3000-5999 feet (915-1829 m)
	58719	Screw Orifice	Natural Gas (N.G.); 22,500 Btu; 6000-7999 feet (1830-2439 m)
	D503779	N.G. Orifice	22,500 Btu; 8000-8999 feet (2440-2739 m)
	D503780	N.G. Orifice	22,500 Btu; 9000-9999 feet (2740-3049 m)
	D503781	N.G. Orifice	22,500 Btu; 10,000 feet (3050 m) and higher

Dryer Cabinet, Exhaust Duct and Base (Drawing 1 of 2)

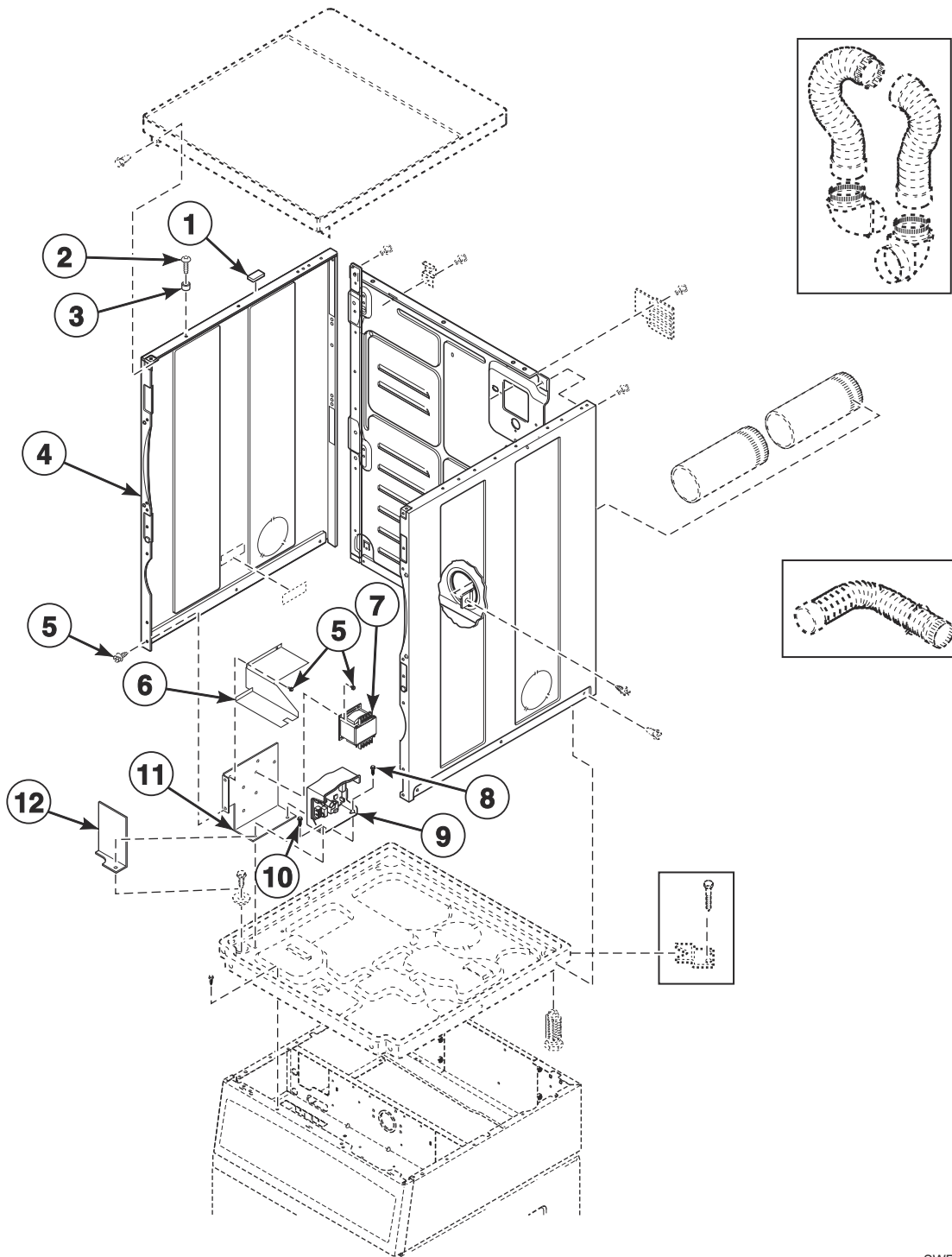


SWD1300P_806105

Dryer Cabinet, Exhaust Duct and Base (Drawing 1 of 2)

REF	PART NO.	DESCRIPTION	COMMENTS
	122P4P	Porcelain Touch-Up Paint	White
	806436P	Paint	Gray
1	D503688	Screw	Use with painted panels
	D512921	Screw	Use with stainless steel panels
2	D510146	Bracket	
3	D510032WP	Top Kit	White
	D510032DG	Top Panel	Gray
	D513224	Top and Bracket Assembly	Stainless steel
4	D510136	Top Hinge	
5	D514632P	Cabinet Rear Panel	
6	D514356	Access Cover Plate	Models ATHE9ASP453NW29, ATHE9ASP455NN29 and ATHE9ASP455NW29
	D510903	Access Panel Plate	All other models
7	521P3	Flexible Venting Kit	
8	D516196	Exhaust Duct	
9	D510002WP	Cabinet Side Panel	Right; White
	D510002DGP	Cabinet Side Panel	Right; Gray
	D512539	Cabinet Side Panel	Right; Stainless steel
10	528P3	Directional Exhaust Kit	Used to vent dryer out the sides
11	526P3	Hold Down Kit	For mobile home installations
12	D510135	Leveling Leg	
13	D514245	Dryer Base	
14	26509	Washer	
15	36048	Screw	

Dryer Cabinet, Exhaust Duct and Base (Drawing 2 of 2)



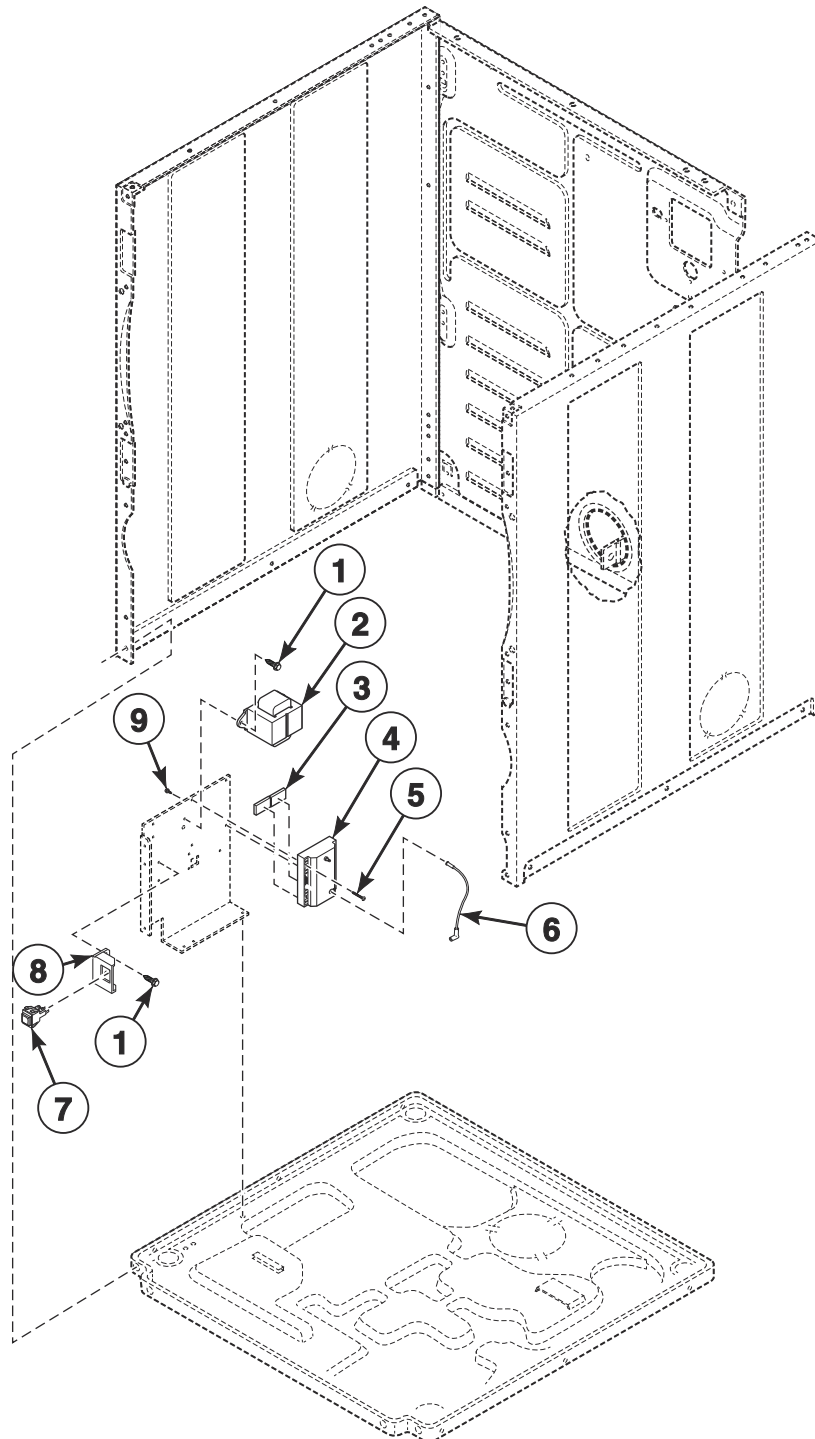
SWD1300PA_806105

Dryer Cabinet, Exhaust Duct and Base (Drawing 2 of 2)

REF	PART NO.	DESCRIPTION	COMMENTS
1	56128	Bumper Pad	
2	39733	Screw	Use with painted panels
	806276	Screw	Use with stainless steel panels
3	56079	Panel Locator	
4	D510001WP	Cabinet Side Panel	Left; White
	D510001DGP	Cabinet Side Panel	Left; Gray
	D512538	Cabinet Side Panel	Left; Stainless steel
5	D503688	Screw	
6	D514334	Transformer Shield	Models ATGE9AGP305AW01, ATGE9ASP303XW01, ATGE9ASP303XW26, ATGE9ASP305XW01, ATGE9ASP543DN04, ATGE9ASP543DW04, ATGE9ASP545DW04, ATGE9AWP303AW01, ATGE9AWP305AW01, ATLE9ASP305LW01, FTGE5ASP303NW10, LTGE5ASP303AW01, LTGE5ASP303AW12, LTLE5ASP303LW01, LTLE5ASP303NW35, LTLE5ASP543NW23, PTGE3FSP303AG01, TTPE5ASP303NW36 and YTGE5ASP303NW21
7	D513763P	Transformer	Models ATGE9AGP305AW01, ATGE9ASP303XW01, ATGE9ASP303XW26, ATGE9ASP305XW01, ATGE9ASP543DN04, ATGE9ASP543DW04, ATGE9ASP545DW04, ATGE9AWP303AW01, ATGE9AWP305AW01, ATLE9ASP305LW01, FTGE5ASP303NW10, LTGE5ASP303AW01, LTGE5ASP303AW12, LTLE5ASP303LW01, LTLE5ASP303NW35, LTLE5ASP543NW23, PTGE3FSP303AG01, TTPE5ASP303NW36 and YTGE5ASP303NW21
8	804667	Screw	
9	D517269	Output Control Assembly	Model YTGE5ASP303NW21
	D513797P	Output Control Assembly	All other models
10	D514428	Screw	
11	D511859	Contacto Bracket	Models ATGE9AGP305AW01, ATGE9ASP303XW01, ATGE9ASP303XW26, ATGE9ASP305XW01, ATGE9ASP543DN04, ATGE9ASP543DW04, ATGE9ASP545DW04, ATGE9AWP303AW01, ATGE9AWP305AW01, ATLE9ASP305LW01, FTGE5ASP303NW10, LTGE5ASP303AW01, LTGE5ASP303AW12, LTLE5ASP303LW01, LTLE5ASP303NW35, LTLE5ASP543NW23, PTGE3FSP303AG01, TTPE5ASP303NW36 and YTGE5ASP303NW21
12	D514420	Output Board Shield	Models ATEE9AGP435AW01, ATEE9ASP133DN04, ATEE9ASP133DW04, ATEE9ASP433XW34, ATEE9ASP435XW34, ATEE9ASP453LW26, ATEE9ASP455LN01, ATEE9ASP455LW01, ATEE9ASP543DN04, ATEE9ASP543DW04, ATEE9ASP545DW04, ATEE9ASP565XW01, ATEE9AWP433AW01, ATEE9AWP435AW01, ATHE9ASP453NW29, FTEE5ASP303ZW01, FTEE5ASP433LW01, LTEE5AGP133ZW30, LTEE5ASP133FW01, LTEE5ASP303WW01, LTEE5ASP303WW37, LTEE5ASP303ZW01, LTEE5ASP433AW01, LTEE5ASP433AW12, LTEE5ASP453VW26, LTEE5ASP543RW01, LTEE5ASP553KW01, LTME5ASP543KW01 and PTEE3FSP433AG01

Ignition Control Module

Model LTME5ASP543KW01



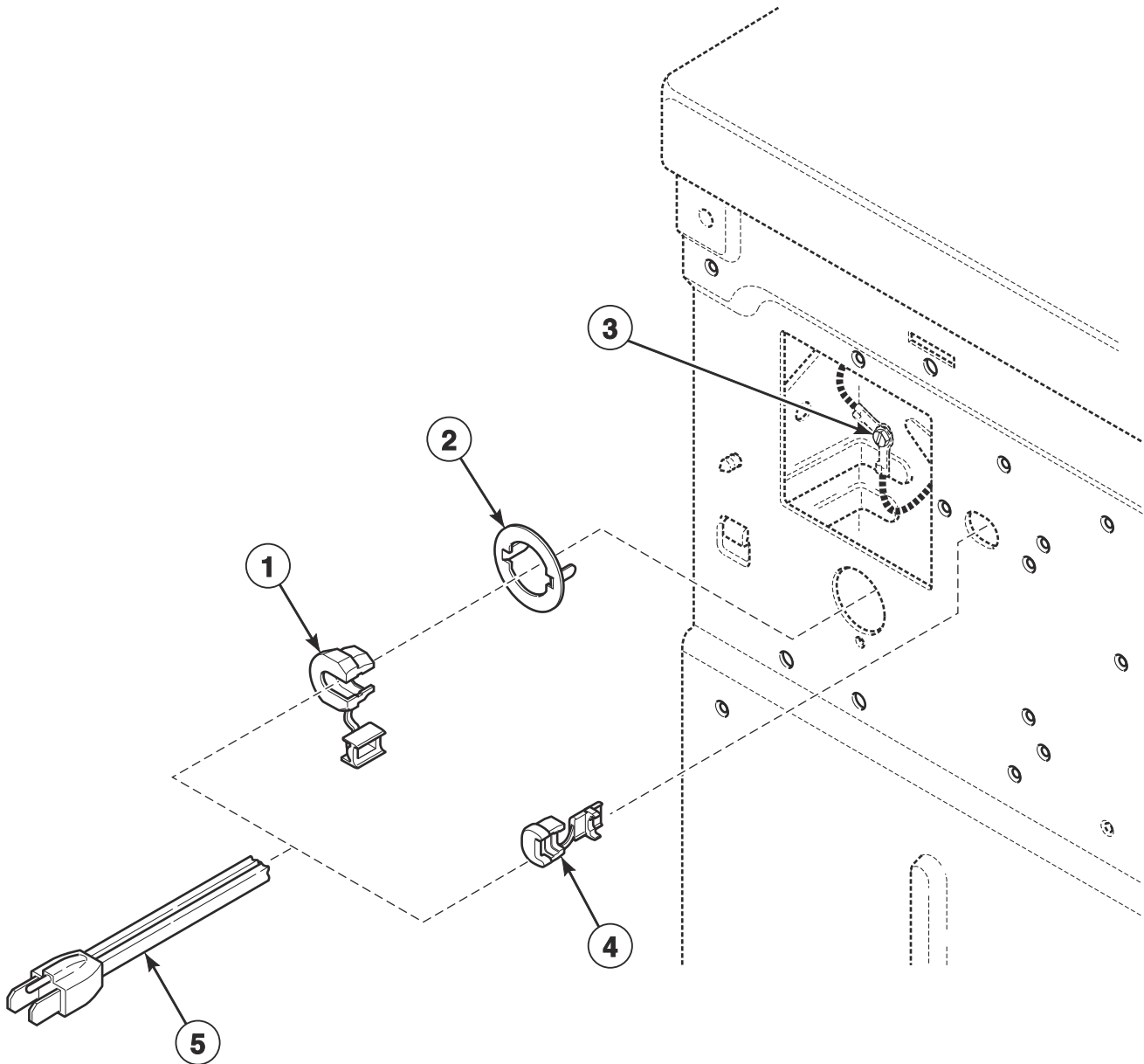
DRY2483P_806105

Ignition Control Module

REF	PART NO.	DESCRIPTION	COMMENTS
	D516881	ICM Gas Harness	
1	D503688	Screw	
2	202758	Transformer	
3	56128	Bumper Pad	
4	70483201P	Ignition Control	
5	D516261	Screw	
6	44239706	High Voltage Suppression Cable	
7	M413431	Pushbutton Switch	Lighted
8	D516237	Switch Bracket	
9	38272	Screw	

Dryer Lead-In Cord

Models ATEE9ASG453NW36, ATEE9ASG455NW36, ATGE9ASP093CW01, ATGE9ASP095CW01, ATGE9ASP095CW14, ATHE9ASP453NW29, ATHE9ASP455NN29, ATHE9ASP455NW29, BTGE6ASP093CW01, BTGE6ASP113TW01, LTEE5FSP275TW01, LTGA5FSP113TW01, LTGE5ASP093CW01, LTGE5ASP095CW01, LTGE5ASP113TW01, LTGE5ASP115TW01, LTGE5FSP115TW01, LTLE5ASP303NW35, LTLE5ASP543NW23, PTGE3FSP093CG01, PTGE3FSP095CG01, PTGE3FSP113TG01, PTGE3FSP115TG01, PTGE3FSP115TW01, TTHE5ASP303NW36, TTPE5ASP303NW36, UTGE5ASP113TW01, UTGE5ASP113TW08, UTGE5ASP115TW01, UTGE5ASP115TW08, YTGE5ASP093CW01, YTGE5ASP095CW01, YTGE5ASP113TW01 and YTGE5ASP115TW01



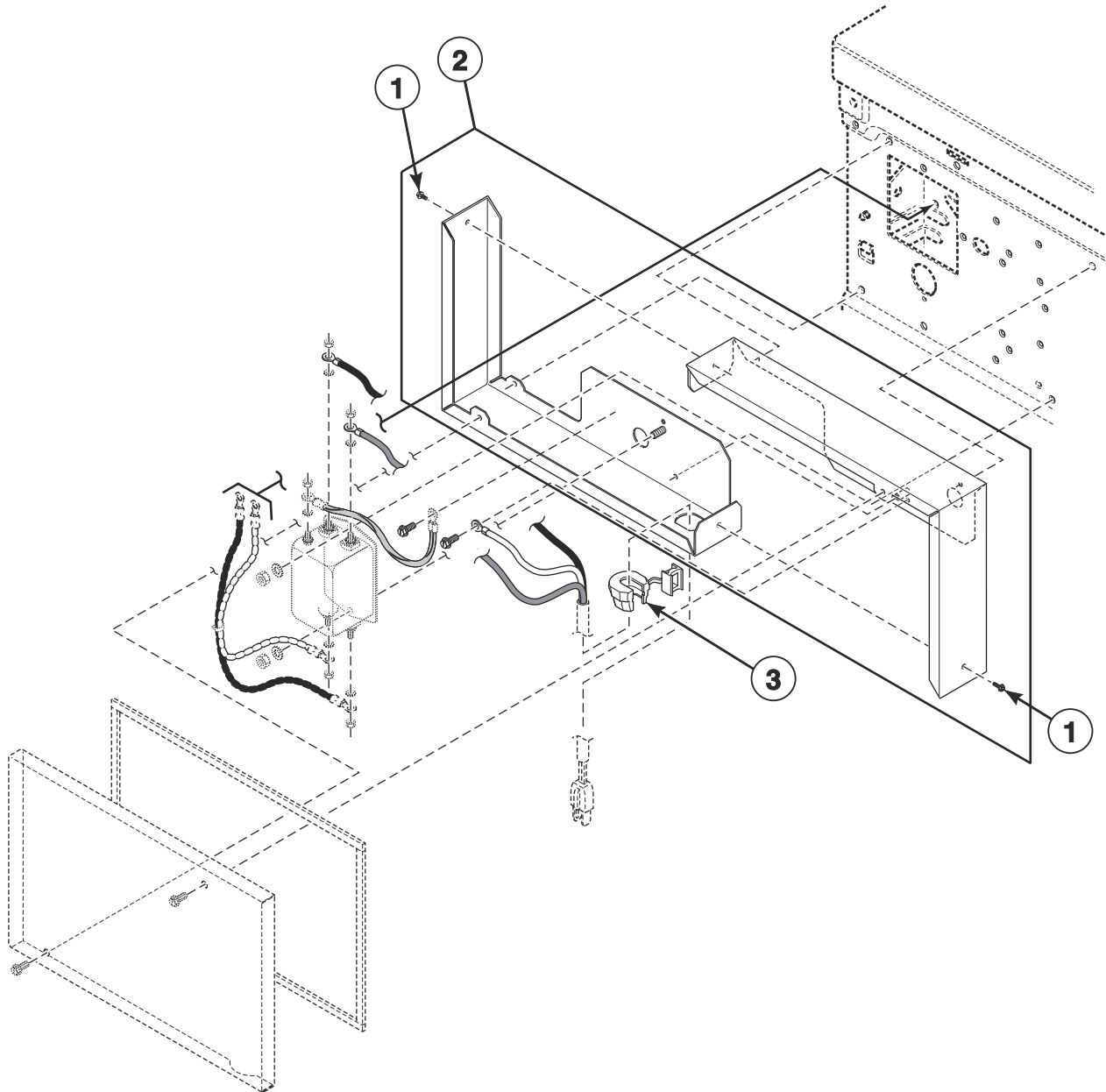
SWD1222P_806105

Dryer Lead-In Cord

REF	PART NO.	DESCRIPTION	COMMENTS
1	D511628	Strain Relief Connector	Models ATEE9ASG453NW36, ATEE9ASG455NW36, ATGE9ASP093CW01, ATGE9ASP095CW01, ATGE9ASP095CW14, BTGE6ASP093CW01, LTGE5ASP093CW01, LTGE5ASP095CW01, PTGE3FSP093CG01, PTGE3FSP095CG01, YTGE5ASP093CW01 and YTGE5ASP095CW01
2	D502496	Strain Relief Adapter	Models ATEE9ASG453NW36, ATEE9ASG455NW36, ATHE9ASP453NW29, ATHE9ASP455NN29, ATHE9ASP455NW29, TTHE5ASP303NW36 and TTPE5ASP303NW36
3	20530	Screw	
4	52113	Strain Relief	Models ATHE9ASP453NW29, ATHE9ASP455NN29, ATHE9ASP455NW29, TTHE5ASP303NW36 and TTPE5ASP303NW36
	38384	Strain Relief	Models ATHE9ASP453NW29, ATHE9ASP455NN29, ATHE9ASP455NW29, BTGE6ASP113TW01, LTGA5FSP113TW01, LTGE5ASP113TW01, LTGE5ASP115TW01, LTGE5FSP115TW01, LTLE5ASP303NW35, LTLE5ASP543NW23, PTGE3FSP113TG01, PTGE3FSP115TG01, TTHE5ASP303NW36, TTPE5ASP303NW36, UTGE5ASP113TW01, UTGE5ASP113TW08, UTGE5ASP115TW01, UTGE5ASP115TW08, YTGE5ASP113TW01 and YTGE5ASP115TW01
5	58992	Power Cord Assembly	Models ATGE9ASP093CW01, ATGE9ASP095CW01, ATGE9ASP095CW14, BTGE6ASP093CW01, LTGE5ASP093CW01, LTGE5ASP095CW01, PTGE3FSP093CG01, PTGE3FSP095CG01, YTGE5ASP093CW01 and YTGE5ASP095CW01
	D506081	Power Cord Assembly	Model LTLE5ASP303NW35
	D515971	Lead-In Cord	Models ATHE9ASP453NW29, ATHE9ASP455NN29 and ATHE9ASP455NW29
	D503597	Lead-In Cord Assembly	Model TTHE5ASP303NW36
	D513632	Lead-In Cord	Models ATEE9ASG453NW36, ATEE9ASG455NW36 and TTPE5ASP303NW36
	203344	Lead-In Cord	Model LTLE5ASP543NW23
	D510505P	Lead-In Cord Assembly	Model LTEE5FSP275TW01
	202777	Lead-In Cord	All other models

Dryer Junction Box (Drawing 1 of 3)

Models ATEE9AGP435AW01, ATEE9ASP133DN04, ATEE9ASP133DW04, ATEE9ASP433XW34, ATEE9ASP435XW34, ATEE9ASP453LW26, ATEE9ASP455LN01, ATEE9ASP455LW01, ATEE9ASP543DN04, ATEE9ASP543DW04, ATEE9ASP545DW04, ATEE9ASP565XW01, ATEE9AWP433AW01, ATEE9AWP435AW01, ATGE9AGP305AW01, ATGE9ASP123DN04, ATGE9ASP123DW04, ATGE9ASP125DW04, ATGE9ASP303XW01, ATGE9ASP303XW26, ATGE9ASP305XW01, ATGE9ASP543DN04, ATGE9ASP543DW04, ATGE9ASP545DW04, ATGE9AWP303AW01, ATGE9AWP305AW01, ATLE9ASP305LW01, FTEE5ASP303ZW01, FTEE5ASP433LW01, LTEE5AGP133ZW30, LTEE5ASP133FW01, LTEE5ASP303WW01, LTEE5ASP303WW37, LTEE5ASP303ZW01, LTEE5ASP433AW01, LTEE5ASP433AW12, LTEE5ASP453VW26, LTEE5ASP543RW01, LTEE5ASP553KW01, LTGE5ASP113FW01, LTGE5ASP113JW01, LTGE5ASP113TW01, LTGE5ASP303AW01, LTGE5ASP303AW12, LTLE5ASP303LW01, LTME5ASP543KW01, PTEE3FSP433AG01, PTGE3FSP303AG01, UTGE5ASP113TW01, YTEE5ASP133FW01, YTGE5ASP113FW01 and YTGE5ASP303NW21



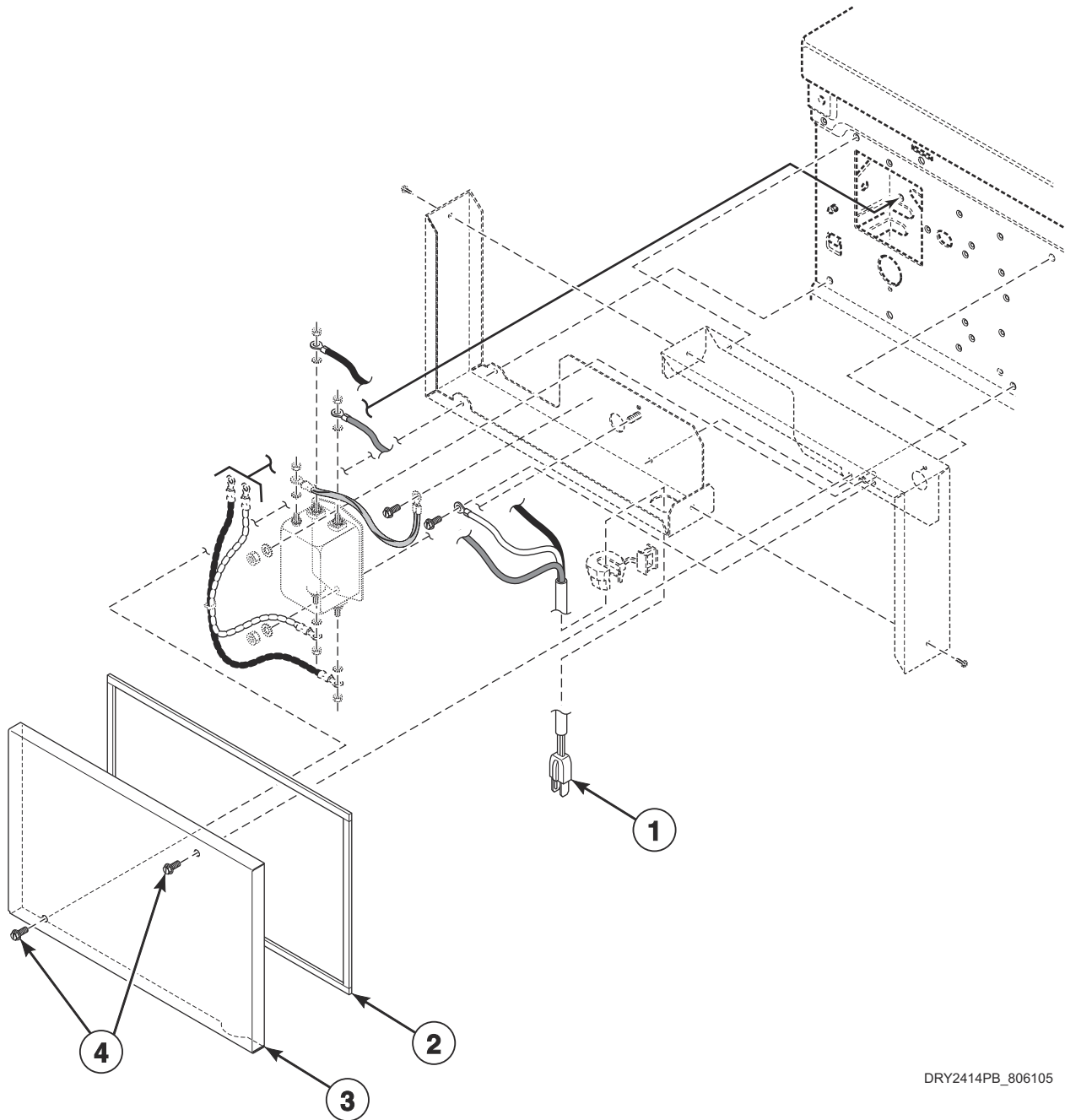
DRY2414P_806105

Dryer Junction Box (Drawing 1 of 3)

REF	PART NO.	DESCRIPTION	COMMENTS
	D502510	Ground Label	
	D514618	Terminal Block Label	L-N; Models ATGE9AGP305AW01, ATGE9AWP303AW01, ATGE9AWP305AW01, LTGE5ASP113JW01, LTGE5ASP303AW01, LTGE5ASP303AW12 and YTGE5ASP303NW21
1	D503688	Screw	
2	D516153	Junction Box Assembly	Includes items 1 and 5; Models ATEE9AGP435AW01, ATEE9ASP133DN04, ATEE9ASP133DW04, ATEE9ASP433XW34, ATEE9ASP435XW34, ATEE9ASP453LW26, ATEE9ASP455LN01, ATEE9ASP455LW01, ATEE9ASP543DN04, ATEE9ASP543DW04, ATEE9ASP545DW04, ATEE9ASP565XW01, ATEE9AWP433AW01, ATEE9AWP435AW01, FTEE5ASP303ZW01, FTEE5ASP433LW01, LTEE5AGP133ZW30, LTEE5ASP133FW01, LTEE5ASP303WW01, LTEE5ASP303WW37, LTEE5ASP303ZW01, LTEE5ASP433AW01, LTEE5ASP433AW12, LTEE5ASP453VW26, LTEE5ASP543RW01, LTEE5ASP553KW01, PTEE3FSP433AG01 and YTEE5ASP133FW01
	D516152	Junction Box Assembly	Includes items 1 and 5; Models ATGE9AGP305AW01, ATGE9ASP123DN04, ATGE9ASP123DW04, ATGE9ASP303XW01, ATGE9ASP303XW26, ATGE9ASP305XW01, ATGE9ASP543DN04, ATGE9ASP543DW04, ATGE9ASP545DW04, ATGE9AWP303AW01, ATGE9AWP305AW01, ATLE9ASP305LW01, LTGE5ASP113FW01, LTGE5ASP113JW01, LTGE5ASP303AW01, LTGE5ASP303AW12, LTLE5ASP303LW01, LTME5ASP543KW01, PTGE3FSP303AG01, YTGE5ASP113FW01 and YTGE5ASP303NW21
3	60298	Strain Relief	Models ATGE9AGP305AW01, ATGE9ASP123DN04, ATGE9ASP123DW04, ATGE9ASP303XW01, ATGE9ASP303XW26, ATGE9ASP305XW01, ATGE9ASP543DN04, ATGE9ASP543DW04, ATGE9ASP545DW04, ATGE9AWP303AW01, ATGE9AWP305AW01, ATLE9ASP305LW01, LTEE5ASP553KW01, LTGE5ASP113FW01, LTGE5ASP113JW01, LTGE5ASP303AW01, LTGE5ASP303AW12, LTLE5ASP303LW01, LTME5ASP543KW01, PTGE3FSP303AG01, YTGE5ASP113FW01 and YTGE5ASP303NW21
	52113	Strain Relief	Models ATEE9AGP435AW01, ATEE9ASP133DN04, ATEE9ASP133DW04, ATEE9ASP433XW34, ATEE9ASP435XW34, ATEE9ASP453LW26, ATEE9ASP455LN01, ATEE9ASP455LW01, ATEE9ASP543DN04, ATEE9ASP543DW04, ATEE9ASP545DW04, ATEE9ASP565XW01, ATEE9AWP433AW01, ATEE9AWP435AW01, FTEE5ASP303ZW01, FTEE5ASP433LW01, LTEE5AGP133ZW30, LTEE5ASP133FW01, LTEE5ASP303WW01, LTEE5ASP303WW37, LTEE5ASP303ZW01, LTEE5ASP433AW01, LTEE5ASP433AW12, LTEE5ASP453VW26, LTEE5ASP543RW01, PTEE3FSP433AG01 and YTEE5ASP133FW01

Dryer Junction Box (Drawing 2 of 3)

Models ATEE9AGP435AW01, ATEE9ASP133DN04, ATEE9ASP133DW04, ATEE9ASP433XW34, ATEE9ASP435XW34, ATEE9ASP453LW26, ATEE9ASP455LN01, ATEE9ASP455LW01, ATEE9ASP543DN04, ATEE9ASP543DW04, ATEE9ASP545DW04, ATEE9ASP565XW01, ATEE9AWP433AW01, ATEE9AWP435AW01, ATGE9AGP305AW01, ATGE9ASP123DN04, ATGE9ASP123DW04, ATGE9ASP125DW04, ATGE9ASP303XW01, ATGE9ASP303XW26, ATGE9ASP305XW01, ATGE9ASP543DN04, ATGE9ASP543DW04, ATGE9ASP545DW04, ATGE9AWP303AW01, ATGE9AWP305AW01, ATLE9ASP305LW01, FTEE5ASP303ZW01, FTEE5ASP433LW01, LTEE5AGP133ZW30, LTEE5ASP133FW01, LTEE5ASP303WW01, LTEE5ASP303WW37, LTEE5ASP303ZW01, LTEE5ASP433AW01, LTEE5ASP433AW12, LTEE5ASP453VW26, LTEE5ASP543RW01, LTEE5ASP553KW01, LTGE5ASP113FW01, LTGE5ASP113JW01, LTGE5ASP113TW01, LTGE5ASP303AW01, LTGE5ASP303AW12, LTLE5ASP303LW01, LTME5ASP543KW01, PTEE3FSP433AG01, PTGE3FSP303AG01, UTGE5ASP113TW01, YTEE5ASP133FW01, YTGE5ASP113FW01 and YTGE5ASP303NW21



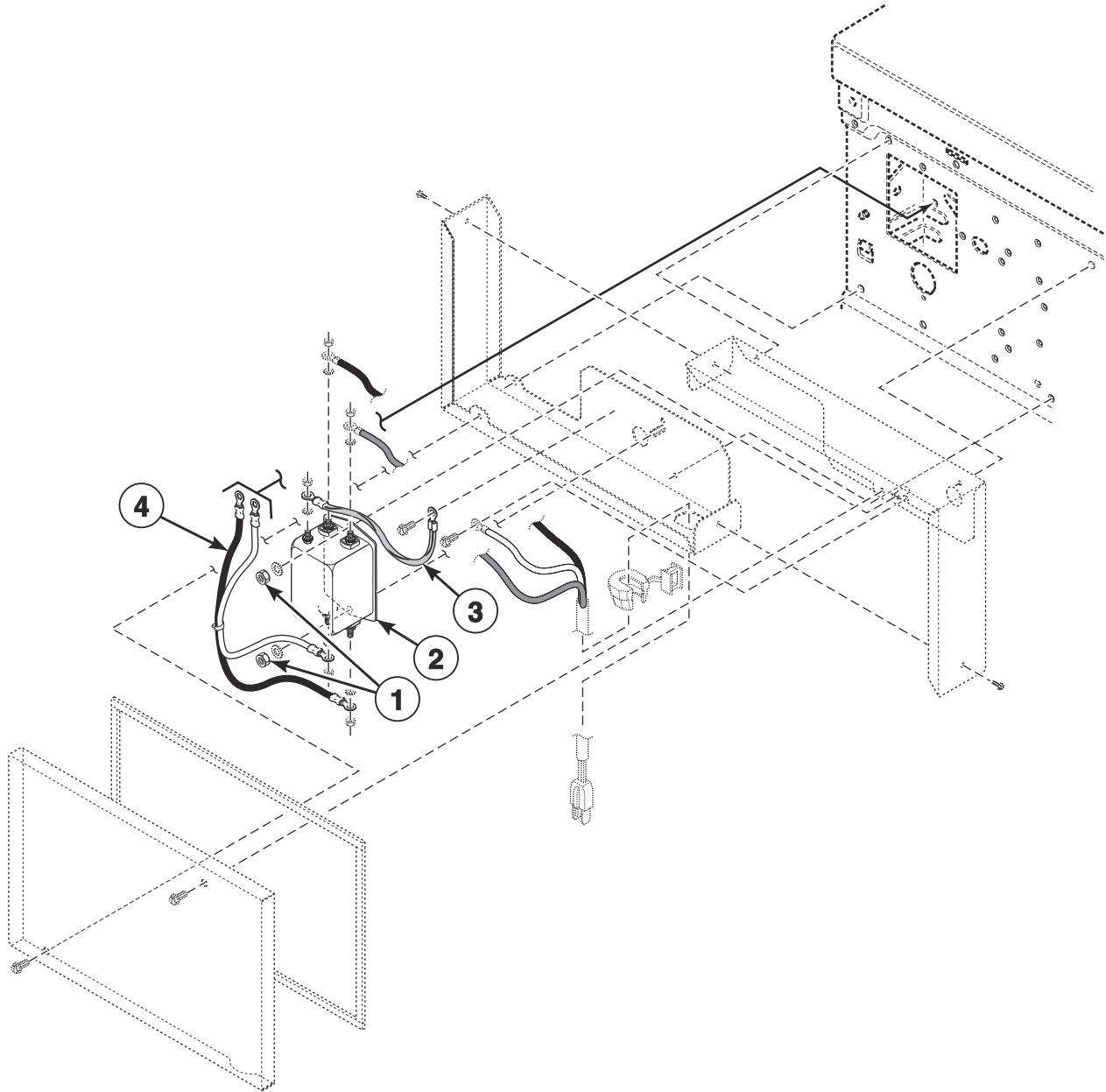
DRY2414PB_806105

Dryer Junction Box (Drawing 2 of 3)

REF	PART NO.	DESCRIPTION	COMMENTS
1	202926	Lead-In Cord	Models ATGE9AGP305AW01, ATGE9AWP303AW01, ATGE9AWP305AW01, LTGE5ASP303AW01, LTGE5ASP303AW12, PTGE3FSP303AG01 and YTGE5ASP303NW21
	D503597	Lead-In Cord Assembly	Models ATEE9ASP133DN04, ATEE9ASP133DW04, ATEE9ASP433XW34, ATEE9ASP435XW34, ATEE9ASP453LW26, ATEE9ASP543DN04, ATEE9ASP543DW04, ATEE9ASP545DW04, FTEE5ASP303ZW01, LTEE5ASP133FW01, FTEE5ASP303WW01, LTEE5ASP303WW37, LTEE5ASP303ZW01, LTEE5ASP453VW26, LTEE5ASP543RW01 and YTEE5ASP133FW01
	61605P	Lead-In Cord Kit	Models ATEE9AGP435AW01, ATEE9AWP433AW01, ATEE9AWP435AW01, LTEE5ASP433AW01, LTEE5ASP433AW12 and PTEE3FSP433AG01
	D516611	Lead-In Cord	Model LTGE5ASP113JW01
	D514953	Lead-In Cord	Models LTGE5ASP113FW01 and YTGE5ASP113FW01
	D514061	Lead-In Cord	Models ATGE9ASP123DN04, ATGE9ASP123DW04, ATGE9ASP125DW04, ATGE9ASP543DN04 and ATGE9ASP543DW04
	D516162	Lead-In Cord	Models ATEE9ASP453LW26, ATEE9ASP455LN01 and ATEE9ASP455LW01
	59373	Lead-In Cord	Model LTEE5ASP553KW01
	202925	Lead-In Cord	Model LTME5ASP543KW01
	203119	Power Cord Assembly	Models ATGE9ASP303XW01, ATGE9ASP303XW26 and ATGE9ASP305XW01
	D516390	Lead-In Cord	Model ATEE9ASP565XW01
	203315	Lead-In Cord	Models ATLE9ASP305LW01 and LTLE5ASP303LW01
	D516747	Lead-In Cord Assembly	Model FTEE5ASP433LW01
2	D514379P	Junction Box Seal	
3	D516186	Junction Box Cover	Models LTEE5ASP303WW01 and LTEE5ASP303WW37
	D514363	Junction Box Cover	All other models
4	D503661	Screw	

Dryer Junction Box (Drawing 3 of 3)

Models ATEE9AGP435AW01, ATEE9ASP133DN04, ATEE9ASP133DW04, ATEE9ASP433XW34, ATEE9ASP435XW34, ATEE9ASP453LW26, ATEE9ASP455LN01, ATEE9ASP455LW01, ATEE9ASP543DN04, ATEE9ASP543DW04, ATEE9ASP545DW04, ATEE9ASP565XW01, ATEE9AWP433AW01, ATEE9AWP435AW01, ATGE9AGP305AW01, ATGE9ASP123DN04, ATGE9ASP123DW04, ATGE9ASP125DW04, ATGE9ASP303XW01, ATGE9ASP303XW26, ATGE9ASP305XW01, ATGE9ASP543DN04, ATGE9ASP543DW04, ATGE9ASP545DW04, ATGE9AWP303AW01, ATGE9AWP305AW01, ATLE9ASP305LW01, FTEE5ASP303ZW01, FTEE5ASP433LW01, LTEE5AGP133ZW30, LTEE5ASP133FW01, LTEE5ASP303WW01, LTEE5ASP303WW37, LTEE5ASP303ZW01, LTEE5ASP433AW01, LTEE5ASP433AW12, LTEE5ASP453VW26, LTEE5ASP543RW01, LTEE5ASP553KW01, LTGE5ASP113FW01, LTGE5ASP113JW01, LTGE5ASP113TW01, LTGE5ASP303AW01, LTGE5ASP303AW12, LTLE5ASP303LW01, LTME5ASP543KW01, PTEE3FSP433AG01, PTGE3FSP303AG01, UTGE5ASP113TW01, YTEE5ASP133FW01, YTGE5ASP113FW01 and YTGE5ASP303NW21

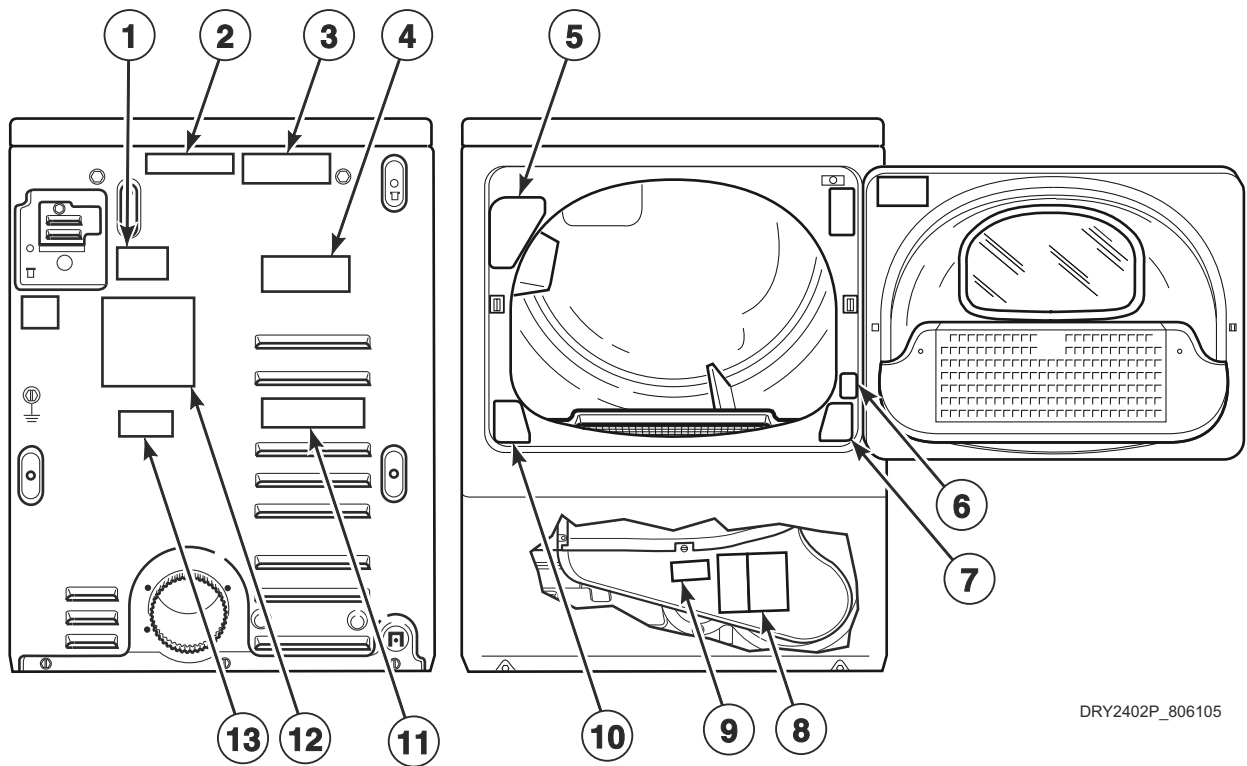


DRY2414PA_806105

Dryer Junction Box (Drawing 3 of 3)

REF	PART NO.	DESCRIPTION	COMMENTS
1	29787	Nut	
2	804844	Line Filter	30 Amp; 250 Volt/50 or 60 Hertz; Models ATEE9AGP435AW01, ATEE9ASP133DN04, ATEE9ASP133DW04, ATEE9ASP433XW34, ATEE9ASP435XW34, ATEE9ASP453LW26, ATEE9ASP455LN01, ATEE9ASP455LW01, ATEE9ASP543DN04, ATEE9ASP543DW04, ATEE9ASP545DW04, ATEE9ASP565XW01, ATEE9AWP433AW01, ATEE9AWP435AW01, FTEE5ASP303ZW01, FTEE5ASP433LW01, LTEE5AGP133ZW30, LTEE5ASP133FW01, LTEE5ASP303WW01, LTEE5ASP303WW37, LTEE5ASP303ZW01, LTEE5ASP433AW01, LTEE5ASP433AW12, LTEE5ASP453VW26, LTEE5ASP543RW01, LTEE5ASP553KW01, PTEE3FSP433AG01 and YTEE5ASP133FW01
	804864	Line Filter	10 Amp; 250 Volt/50 or 60 Hertz; Models ATGE9AGP305AW01, ATGE9ASP123DN04, ATGE9ASP123DW04, ATGE9ASP125DW04, ATGE9ASP303XW01, ATGE9ASP303XW26, ATGE9ASP305XW01, ATGE9ASP543DN04, ATGE9ASP543DW04, ATGE9ASP545DW04, ATGE9AWP303AW01, ATGE9AWP305AW01, ATLE9ASP305LW01, LTGE5ASP113FW01, LTGE5ASP113JW01, LTGE5ASP303AW01, LTGE5ASP303AW12, LTLE5ASP303LW01, LTME5ASP543KW01, PTGE3FSP303AG01, YTGE5ASP113FW01 and YTGE5ASP303NW21
3	D514038	Ground Filter Harness	Filter to rear bulkhead (earth/ground); 30 Amp; Models ATEE9AGP435AW01, ATEE9ASP133DN04, ATEE9ASP133DW04, ATEE9ASP433XW34, ATEE9ASP435XW34, ATEE9ASP453LW26, ATEE9ASP455LN01, ATEE9ASP455LW01, ATEE9ASP543DN04, ATEE9ASP543DW04, ATEE9ASP545DW04, ATEE9ASP565XW01, ATEE9AWP433AW01, ATEE9AWP435AW01, FTEE5ASP303ZW01, FTEE5ASP433LW01, LTEE5AGP133ZW30, LTEE5ASP133FW01, LTEE5ASP303WW01, LTEE5ASP303WW37, LTEE5ASP303ZW01, LTEE5ASP433AW01, LTEE5ASP433AW12, LTEE5ASP453VW26, LTEE5ASP543RW01, LTEE5ASP553KW01, PTEE3FSP433AG01 and YTEE5ASP133FW01
	D514039	Ground Filter Harness	Earth/ground; Models ATEE9AWP435AW01, ATGE9ASP123DN04, ATGE9ASP123DW04, ATGE9ASP125DW04, ATGE9ASP305XW01, ATGE9ASP543DN04, ATGE9ASP543DW04, ATGE9ASP545DW04, ATGE9AWP303AW01, ATGE9AWP305AW01, LTGE5ASP113FW01, LTGE5ASP113JW01, LTGE5ASP303AW01, LTGE5ASP303AW12, LTME5ASP543KW01, PTGE3FSP303AG01, YTGE5ASP113FW01 and YTGE5ASP303NW21
4	D514036	Filter Harness	Filter to terminal block; 30 Amp; Models ATEE9AGP435AW01, ATEE9ASP133DN04, ATEE9ASP133DW04, ATEE9ASP433XW34, ATEE9ASP435XW34, ATEE9ASP453LW26, ATEE9ASP455LN01, ATEE9ASP455LW01, ATEE9ASP543DN04, ATEE9ASP543DW04, ATEE9ASP545DW04, ATEE9ASP565XW01, ATEE9AWP433AW01, ATEE9AWP435AW01, FTEE5ASP303ZW01, FTEE5ASP433LW01, LTEE5AGP133ZW30, LTEE5ASP133FW01, LTEE5ASP303WW01, LTEE5ASP303WW37, LTEE5ASP303ZW01, LTEE5ASP433AW01, LTEE5ASP433AW12, LTEE5ASP453VW26, LTEE5ASP543RW01, LTEE5ASP553KW01, PTEE3FSP433AG01 and YTEE5ASP133FW01
	D514037	Filter Harness	Filter to rear bulkhead (earth/ground) and harness; 10 Amp; Models ATGE9AGP305AW01, ATGE9ASP123DN04, ATGE9ASP123DW04, ATGE9ASP125DW04, ATGE9ASP543DN04, ATGE9ASP543DW04, ATGE9ASP545DW04, ATGE9AWP303AW01, ATGE9AWP305AW01, LTGE5ASP113FW01, LTGE5ASP113JW01, LTGE5ASP303AW01, LTGE5ASP303AW12, LTME5ASP543KW01, PTGE3FSP303AG01, YTGE5ASP113FW01 and YTGE5ASP303NW21
	804396	Filter Harness	Filter to main harness; Models ATGE9ASP303XW01, ATGE9ASP303XW26 and ATGE9ASP305XW01

Dryer Labels

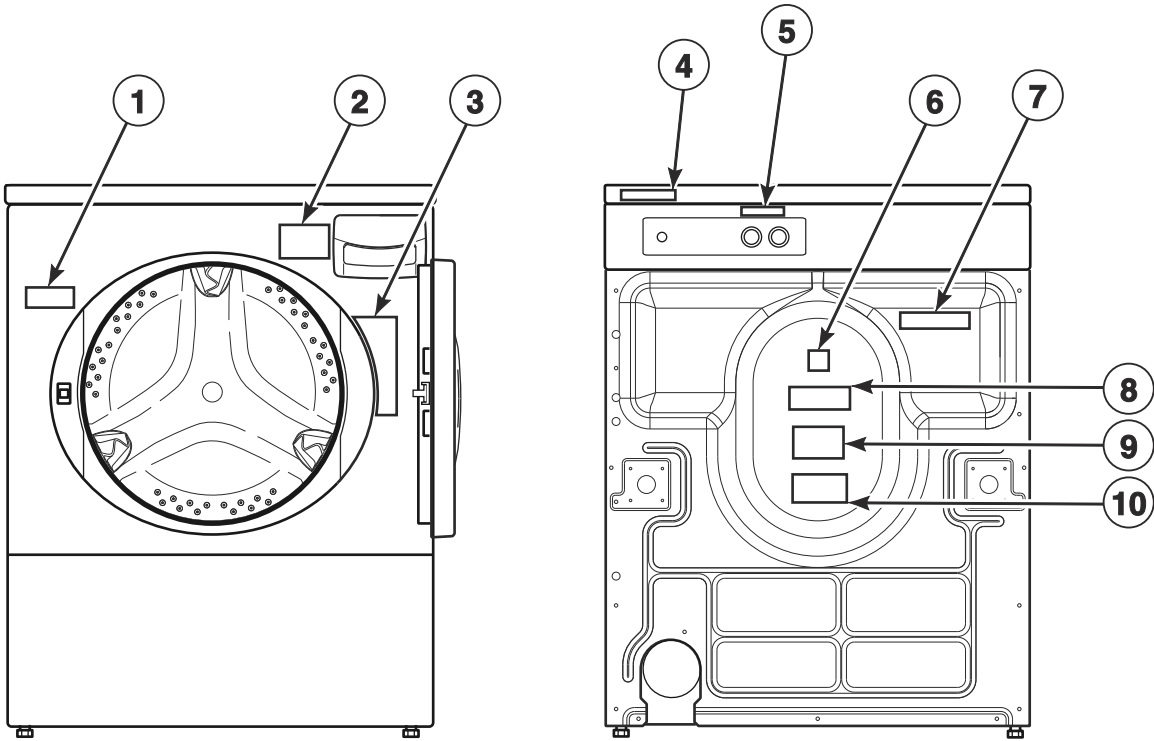


DRY2402P_806105

Dryer Labels

REF	PART NO.	DESCRIPTION	COMMENTS
1	803260	Warning Label	Turn off controls
2	D505281	Disconnect Power Warning Label	Text; English
	D500316	Warning Label	English/French; Disconnect power
3	44324001	Warning Label	Text; Electric shock
4	D502791	Venting Instruction Label	
5	D500281	Warning/Caution Label	English
	D514226	Warning Label	Brazilian Portuguese
	D514867	Warning Label	Thai
	D514866	Warning Label	Japanese
	D514410	Warning Label	Arabic; Right side of opening
	D516187	Warning Label	Vietnamese
	D516243	Warning Label	Quebec French; Right side of opening
	D514863	Front Panel Label	Chinese
	D514864	Front Panel Label	Korean
6	D503887	Label	Australian gas association
	D500240	Natural/L.P. Gas Label	English/Quebec French
7	D512263	Warning Label	
8	D511004	Gas Clearance Label	
	D513341	Clearance Label	Models ATEE9ASP283CW01, ATEE9ASP285CW01, ATEE9ASP285CW14, BTEE6ASP283CW01, LTEE5ASP283CW01, LTEE5ASP285CW01, PTEE3FSP283CG01, PTEE3FSP285CG01, UTEE5ASP283CW01, UTEE5ASP285CW01, YTEE5ASP283CW01 and YTEE5ASP285CW01
9	D500049	Warning Label	Text; Electric shock, rotating parts
	F8211201	Electrical Shock Label	Icon; Electric shock
	F8615701	Pinch Warning Label	Icon; Crush hazard
10	D502781	Lint Filter Label	Icon
11	D505215	Gas Label	Text; Stainless steel flexible gas line
12	D511005	Electric Clearance Label	
13	D500497	Exhaust Warning Label	Text
	D502507	Exhaust Warning Label	Icon
	44321601	Warning Label	Icon; Fire

Washer Labels

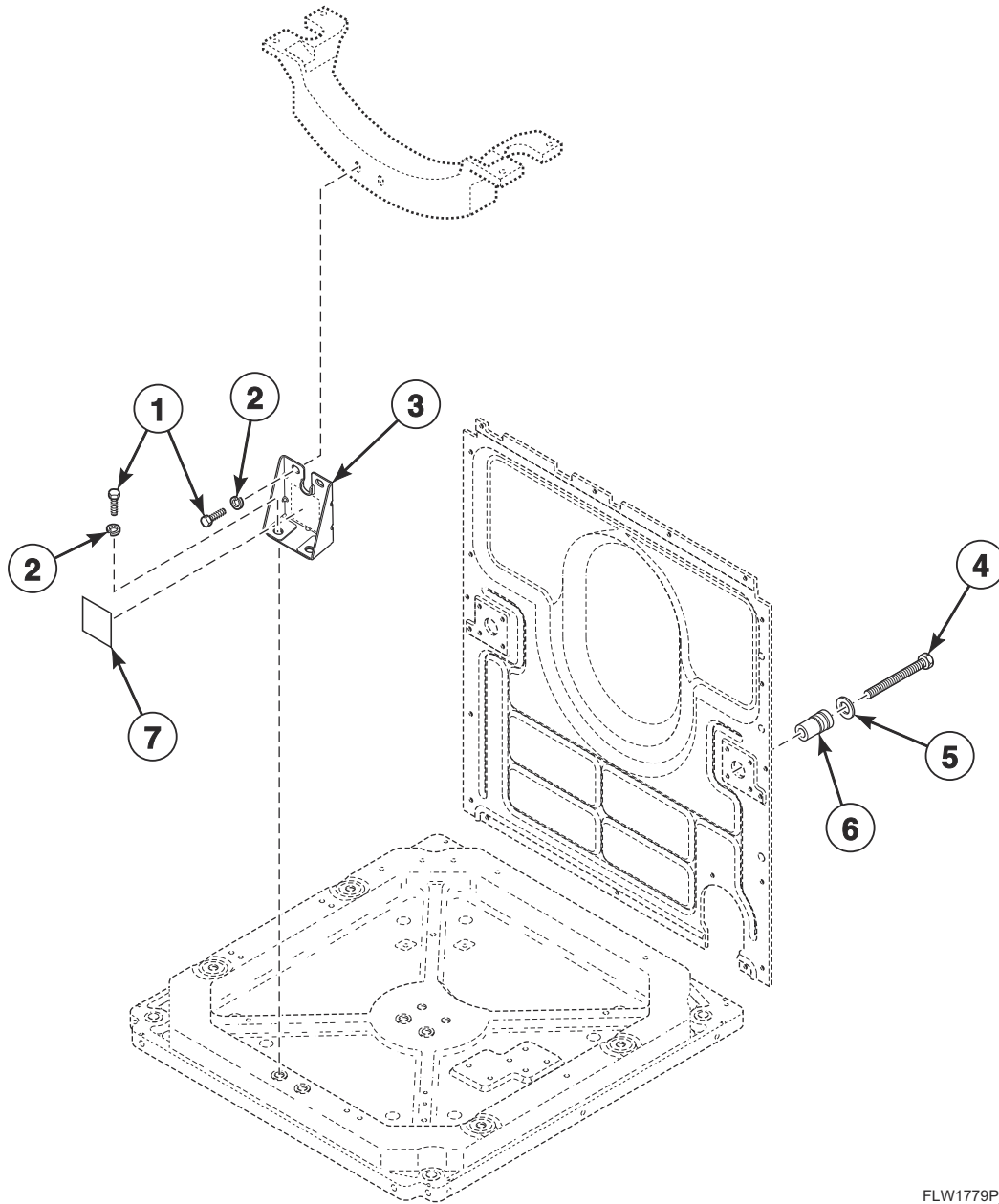


FLW1812P_806105

Washer Labels

REF	PART NO.	DESCRIPTION	COMMENTS
1	803011	Notice Label	
2	802074	Oversudsing Label	English
	802838	Oversudsing Label	Spanish
	802839	Oversudsing Label	Quebec French
3	802367	Warning Label	Reduce fire risk; Door locked; English
	806591	Warning Label	Reduce fire risk; Door locked; English/Quebec French
	805965	Warning Label	Reduce fire risk; Door locked; Korean
	805966	Warning Label	Reduce fire risk; Door locked; Thai
	804924	Warning Label	Reduce fire risk; Door locked; Arabic
	805962	Warning Label	Reduce fire risk; Door locked; Japanese
	805964	Warning Label	Reduce fire risk; Door locked; Chinese
	806550	Warning Label	Reduce fire risk; Door locked; Vietnamese
4	D515714	Warning Label	Dual supply; Chinese; Models ATHE9ASP453NW29, ATHE9ASP455NN29 and ATHE9ASP455NW29
	D515728	Warning Label	Dual supply; Korean; Models LTEE5ASP553KW01 and LTME5ASP543KW01
	D515692	Warning Label	Dual supply; English; Model ATEE9ASP565XW01
	D515740	Warning Label	Dual supply; Thai; Models ATLE9ASP305LW01, FTEE5ASP433LW01 and LTLE5ASP303LW01
5	806454	Hot/Cold Label	Chinese; Models ATHE9ASP453NW29, ATHE9ASP455NN29 and ATHE9ASP455NW29
6	D516073	Notice Label	
7	D505281	Disconnect Power Warning Label	English
	801706	Caution Label	Icon; Ground machine
	D500316	Warning Label	English/French; Disconnect power
8	685928	Left Hand Thread Label	Text; Left hand thread
	804949	Left Hand Thread Label	Icon; Left hand thread
9	803260	Warning Label	Text; Disconnect power
	F8211201	Electrical Shock Label	Icon; Electric shock
10	D500049	Warning Label	English
	D500314	Warning Label	English/French
	F8615701	Pinch Warning Label	Icon; Crush hazard

Shipping Materials

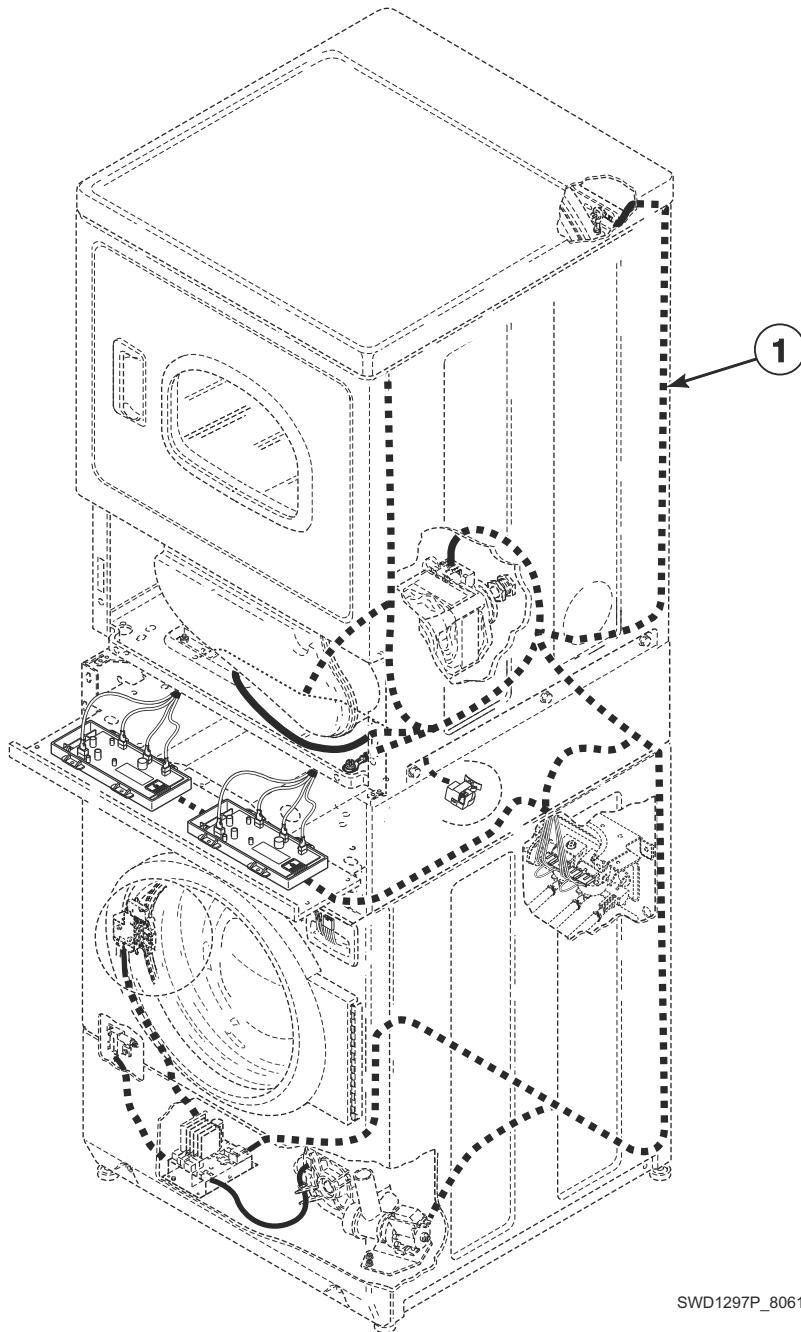


FLW1779P_806105

Shipping Materials

REF	PART NO.	DESCRIPTION	COMMENTS
1	M400043	Screw	
2	M400014	Washer	
3	804454	Shipping Brace	
4	800462	Screw	
5	800624	Washer	
6	803858	Shipping Spacer	
7	804488	Label	Remove shipping brace

Wire Harnesses and Wires (Drawing 1 of 2)



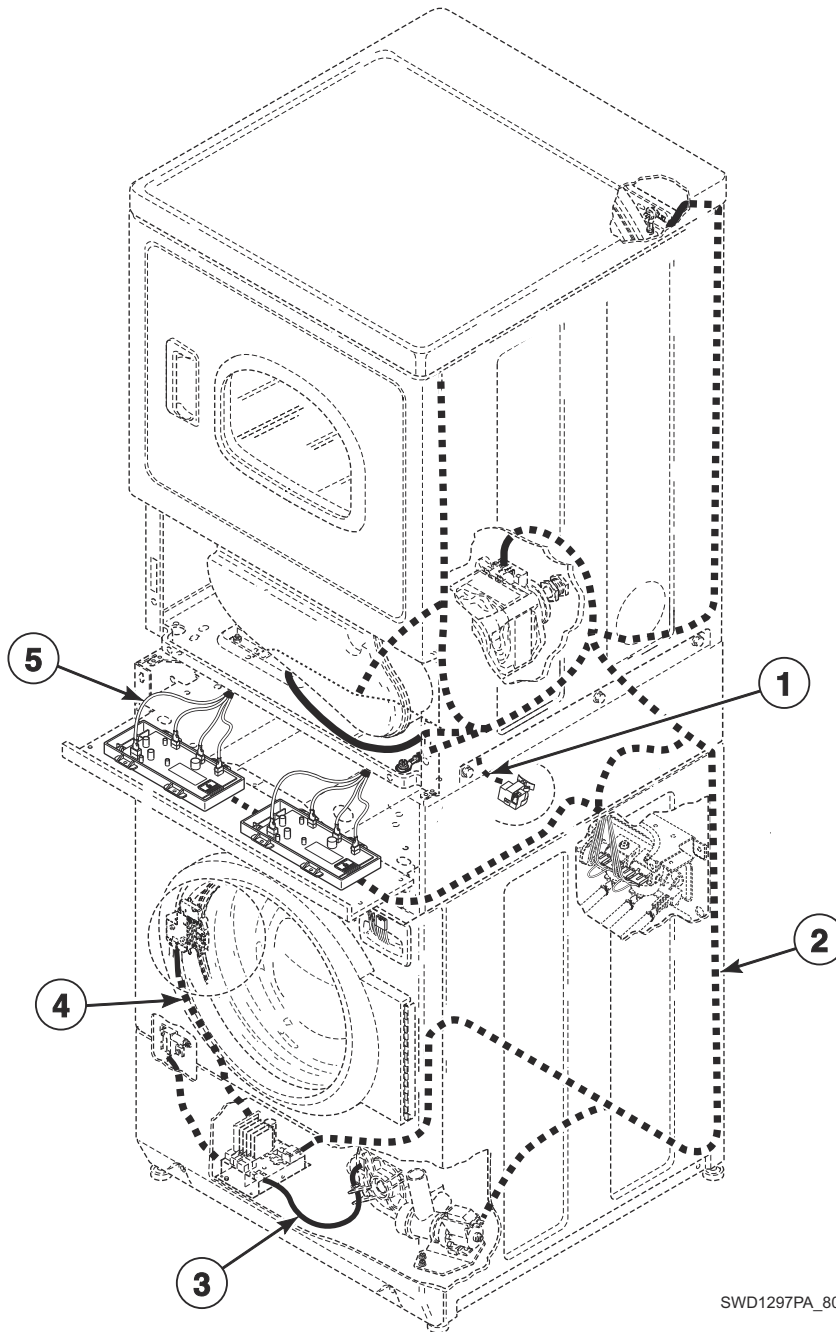
SWD1297P_806105

Wire Harnesses and Wires (Drawing 1 of 2)

REF	PART NO.	DESCRIPTION	COMMENTS
	45001	18 Gauge Wire	Black; Order wire by the foot and terminals as required
	45380	12 Gauge Wire	Orange; Order wire by the foot and terminals as required
	805684	Harness	Main harness to dryer base; Models ATEE9ASP283CW01, ATEE9ASP285CW01, ATEE9ASP285CW14, ATGE9ASP093CW01, ATGE9ASP095CW01, ATGE9ASP095CW14, BTEE6ASP283CW01, BTGE6ASP093CW01, LTEE5ASP283CW01, LTEE5ASP285CW01, LTEE5ASP293CW01, LTEE5ASP295CW01, LTEE5FSP275TW01, LTGE5ASP093CW01, LTGE5ASP095CW01, UTEE5ASP283CW01, UTEE5ASP285CW01, YTEE5ASP283CW01, YTEE5ASP285CW01, YTGE5ASP093CW01 and YTGE5ASP095CW01
	D514044	Power Harness	Models ATEE9ASP283CW01, ATEE9ASP285CW01, ATEE9ASP285CW14, BTEE6ASP283CW01, LTEE5ASP283CW01, LTEE5ASP285CW01, LTEE5FSP275TW01, PTEE3FSP283CG01, PTEE3FSP285CG01, UTEE5ASP283CW01, UTEE5ASP285CW01, YTEE5ASP283CW01 and YTEE5ASP285CW01
	D514083	Gas Power Harness	Models ATGE9ASP093CW01, ATGE9ASP095CW01, ATGE9ASP095CW14, BTGE6ASP093CW01, LTGE5ASP093CW01, LTGE5ASP095CW01, PTGE3FSP093CG01, PTGE3FSP095CG01, YTGE5ASP093CW01 and YTGE5ASP095CW01
	D515039	Power Harness	Models FTGE5ASP303NW10 and LTLE5ASP543NW23
1	D517094	Upper Gas Harness	Models ATGE9ASP093CW01, ATGE9ASP095CW01, ATGE9ASP095CW14, BTGE6ASP093CW01, BTGE6ASP113TW01, LTGA5FSP113TW01, LTGE5ASP093CW01, LTGE5ASP095CW01, LTGE5ASP113FW01, LTGE5ASP113JW01, LTGE5ASP113TW01, LTGE5ASP115TW01, LTGE5FSP115TW01, PTGE3FSP093CG01, PTGE3FSP095CG01, PTGE3FSP113TG01, PTGE3FSP115TG01, PTGE3FSP115TW01, UTGE5ASP113TW01, UTGE5ASP113TW08, UTGE5ASP115TW01, UTGE5ASP115TW08, YTGE5ASP093CW01, YTGE5ASP095CW01, YTGE5ASP113FW01, YTGE5ASP113TW01 and YTGE5ASP115TW01
	D517098	Upper Gas Harness	Models FTGE5ASP303NW10, LTGE5ASP303AW01, LTGE5ASP303AW12, LTLE5ASP303LW01, LTLE5ASP303NW35, LTLE5ASP543NW23, PTGE3FSP303AG01 and TTPE5ASP303NW36
	D517242	Upper Electric Harness	Models ATEE9ASP133DN04, ATEE9ASP133DW04, ATEE9ASP433XW34, ATEE9ASP453LW26, ATEE9ASP543DW04, ATEE9AWP433AW01 and ATHE9ASP453NW29; Model ATEE9ASP543DN04 through Serial Nos. beginning 1808
	D517100	Upper Gas Harness	Models ATGE9ASP303XW01, ATGE9ASP303XW26, ATGE9ASP543DW04, ATGE9AWP303AW01 and ATLE9ASP305LW01; Model ATGE9ASP543DN04 through Serial Nos. beginning 1808
	D516877	Main Harness	Model LTME5ASP543KW01
	D517096	Gas Harness	Model ATGE9ASP123DW04; Model ATGE9ASP123DN04 through Serial Nos. beginning 1808
	D516757	Upper Gas Harness	Model ATGE9ASP125DW04; Model ATGE9ASP123DN04 starting Serial Nos. beginning 1808
	D516758	Upper Electric Harness	Models ATEE9AGP435AW01, ATEE9ASG455NW36, ATEE9ASP435XW34, ATEE9ASP455LN01, ATEE9ASP455LW01, ATEE9ASP545DW04, ATEE9ASP565XW01, ATEE9AWP435AW01, ATHE9ASP455NN29 and ATHE9ASP455NW29; Model ATEE9ASP543DN04 starting Serial Nos. beginning 1808
	D516765	Upper Gas Harness	Models ATGE9AGP305AW01, ATGE9ASP305XW01, ATGE9ASP545DW04 and ATGE9AWP305AW01; Model ATGE9ASP543DN04 starting Serial Nos. beginning 1808
	D516756	Upper Electric Harness	Model UTEE5ASP173TW01
	D517211	Upper Gas Harness	Model YTGE5ASP303NW21
	D517204	Upper Harness	Model FTGE5ASP433LW01
	D513968	Upper Electric Harness	All other models

NOTE: Individual wires are not available separately. Order complete wire harness, or order wire by the foot. When applying terminals to wires, it is recommended that the terminals be soldered to the wires.

Wire Harnesses and Wires (Drawing 2 of 2)



SWD1297PA_806105

Wire Harnesses and Wires (Drawing 2 of 2)

REF	PART NO.	DESCRIPTION	COMMENTS
	45001	18 Gauge Wire	Black; Order wire by the foot and terminals as required
	45380	12 Gauge Wire	Orange; Order wire by the foot and terminals as required
	D516363	Cylinder Light Harness	Model ATLE9ASP305LW01
	D517236	Broken Belt Harness	Models ATLE9ASP305LW01, FTEE5ASP433LW01 and YTGE5ASP303NW21
1	804433	Pressure Sensor Harness	
2	806277	Control Harness	Washer; Models ATHE9ASP453NW29, ATHE9ASP455NN29, ATHE9ASP455NW29, TTHE5ASP303NW36 and TTPE5ASP303NW36
	806031	Front Control Harness	Washer; All other models
3	806962	Motor Harness	Models LTEE5ASP553KW01 and LTME5ASP543KW01
	806029	Motor Harness	All other models
4	806028	Door Lock Harness Assembly	
5	D513991	Security Cabinet Harness	

NOTE: Individual wires are not available separately. Order complete wire harness, or order wire by the foot. When applying terminals to wires, it is recommended that the terminals be soldered to the wires.

Parts Index

A

Access Cover Plate D514356	111
Access Panel and Guard Assembly D514252DG	65
Access Panel Assembly D514250DG	23, 65, 67, 73
D514250WP	23, 65, 67, 69, 71, 73
D514251	23, 69, 71
806528	23
Access Panel Plate D510903	111
Adhesive D511637P	85, 97
Air Duct Assembly D510151W	93, 95
D515805LG	91, 93, 95
Anchor 155P3	47
Anchor Floor Mount Assembly 802844P	47
Anti-Seize Compound 27604P	37, 79

B

Balance Ring Assembly 804393	37
Bar Sensor D513737	85
Base Assembly 803876	47
Bearing Housing Kit 805525	37
Bearing Kit 805730	37
Blower Fan Assembly D510139P	81
Blower Housing D511969LG	77
D511969WP	77
Blower Housing Seal D510238P	75
Booster and Holding Coil 58804A	105
Bracket D510146	111
D516238	107
Broken Belt Harness D517236	133
Bulkhead Assembly D505899WP	85
Bumper Pad 36226	47
56128	113, 115
Burner Assembly D510149P	105, 107

C

Cabinet Panel Kit 800004WP	47
Cabinet Rear Panel D514632P	111
Cabinet Side Panel D510001DGP	113
D510001WP	113
D510002DGP	111
D510002WP	111
D512538	113
D512539	111
800004DG	47
800005DG	47
802525P	47
802526P	47
Cable Connection Box 39922	49
Caution Label 801706	127
Chemical Injection Conversion Kit 805938	27
805939	27
Clamp Ring 803802	35
Clearance Label D513341	125
Clothes Guard Deflector 804467	35
805548	35
Combustion Duct D510131	103
Compartment Cover 803669	27
Contactactor 806428	19
Contactactor Bracket D511859	113
Control D514566P	13
D514567P	13
D515798P	17
Control Assembly D514565P	13
D514656P	17
D515430P	17
805217P	13, 17
805218P	13
805219P	13
805225P	13
805236P	13
806259P	17
806589	13
Control Cabinet 804639DG	17
804639W	17
804640DG	17
804640W	17
Control Cabinet Base 804642	17

N/A items do not appear in index.

Control Harness			
806277	133	Dispenser Inlet Hose	
Control Overlay		803849	27, 29
804491	15	807364	27, 29
804734	15	Dispenser Plate	
805650	15	803843	27
805651	15	Domed Label	
806309	15	203173	15
806446	15	800923	15
806701	15	804970	15
806745	15	Door Assembly	
806807	15	D516737W	57, 59, 61
807189	15	804083WP	21
807466	15	804210P	21
Control Panel		805550	21
803960WP	7	Door Catch Assembly	
806135DG	17	D510177	65, 67, 69, 71, 73
806135W	17	802803	21
Control Shield		Door Glass	
804363	7, 17	802695P	21
Counterweight		Door Glass Mounting Plate	
803810	35	804239	21
Cylinder Assembly		Door Handle Wedge	
D510159WP	85	D510129W	55, 59, 61
D510265LG	85	Door Hinge	
D510265WP	85	802934	21
Cylinder Baffle		Door Latch Assembly	
D510102LG	85	803920	23
D510102W	85	Door Liner Assembly	
Cylinder Belt		D516508	55
D511255P	79	Door Liner Grill	
Cylinder Glide		D503870LG	55, 57, 61
D513710	85	D503870W	55, 57, 59, 61, 63
Cylinder Glide Bracket		Door Lock Drip Shield	
D510145	85	804784	23
Cylinder Light Assembly		Door Lock Harness Assembly	
D517422	87, 89	806028	133
Cylinder Light Harness		Door Pull	
D516363	133	D512947	55
Cylinder Light Lens		Door Pull and Wedge Kit	
D512106	87, 89	D510103WP	55, 57, 59, 61, 63
Cylinder Roller		D511213P	55
D510708P	97	Door Seal	
Cylinder Roller Bracket		804428P	23
D510100	97	Door Seal Assembly	
Cylinder Seal Assembly		804429P	23
D510207P	85, 97	Door Strike	
		D510181	55, 57, 59, 61, 63
		Door Strike Mount	
		D510127	55, 57, 59, 61, 63
		Drain Base Bracket	
		803814	45
		Drain Hose	
		803976	43
		Drain Hose Bracket	
		803828	47
		Drain Hose Sleeve	
		33615	43
		Drain Pump Assembly	
		803922	45
		805724P	45
		805772P	45
		Drain Pump Drip Shield	
		805561	43

D

Detergent Hose	
804717	27
Directional Exhaust Kit	
528P3	111
Disconnect Power Warning Label	
D505281	125, 127
Dispenser Assembly	
803698	27
Dispenser Drawer	
803667	27
Dispenser Handle	
804227B	27
804227WP	27
804228	27

N/A items do not appear in index.

Drain Pump Isolator 803815	45
Drain Valve Kit F976P3	41
Drain-to-Cabinet Hose 800903	41
Drip Shield D514327	69, 71, 73
Drive Belt 804985	39
Drum Light Lamp D503579	87, 89
60954	87, 89
Dryer Base D514245	111
Dryer Door D510013DG	55
D510013WP	55
D510082WP	59, 61
D512969	55
D515960W	55
D515961W	57, 63
D515963	55
Dryer Door Window D503982P	57, 59, 61
D515681	57, 63
Drying Rack D512082P	85

E

Elbow D513072	105, 107
Elbow Shut-Off Valve D510205	105
Electric Clearance Label D511005	125
Electrical Shock Label F8211201	125, 127
End Shield 806258	39
Exhaust Duct D516196	111
Exhaust Warning Label D500497	125
D502507	125
Expansion Clip 70030501	7, 17
Extension Spring 802285	23

F

Felt Pad D510189	85
Fill Hose 203718	33
203719	33
203720	33
203750	33
204102	33
204103	33

204108	33
Filter 805634	19
Filter Harness D514036	123
D514037	123
804396	9, 49, 123
804797	9, 11, 19, 49
Filter Jumper Harness 801420	49
804805	49
Flexible Venting Kit 521P3	111
Foam Pad 804875	27
Foreign Object Deflector 806308	35
806313	35
806361	35
Front Bulkhead D513638	85
D513641	85
Front Bulkhead Assembly D515532	85
D515533	85
D515534	85
Front Control Harness 806031	133
Front Panel D510066DG	65, 67, 69, 71, 73
D510066WP	65, 67, 69, 71, 73
D512542	69, 71
802277DG	23
802277WP	23
802288P	23
Front Panel Assembly Kit 806505W	25
806560	25
Front Panel Label D514863	69, 71, 73, 125
D514864	69, 71, 73, 125
Front Panel Seal D511056	65, 67, 69, 71, 73

G

Gas Clearance Label D511004	125
Gas Harness D517096	131
Gas Label D505215	125
Gas Power Harness D514083	131
Gas Valve Assembly D510506P	105
D513630	105
D513631	105
D516182	107
59063P	105
Gas Valve Coil D516699	107
Gas Valve Mounting Bracket D510128	105

N/A items do not appear in index.

510128	107
Gasket	
802427	45
Glass Mounting Clip	
802700	21
Glide Kit	
RB170003	85
Gravity Drain Bracket	
803291	41
803833	47
Gravity Drain Valve	
803292	41
Grommet	
29175	35
Ground Filter Harness	
D514038	123
D514039	123
Ground Label	
D502510	119

H

Harness	
805684	131
Harness Strap	
55881	53
Heat Contactor Harness	
806431	19
Heat Duct Shroud	
D510101	103
Heater	
D510325P	99
Heater Assembly	
D510324P	99
D510326P	99
D510327P	99
D510328P	99
D510329P	99
D511503P	99
Heater Contactor Drip Shield	
805356	19
Heater Duct and Screw Assembly	
D510025P	99
Heater Duct Assembly	
D510025P	103
Heater Kit	
964P3	101
Heater Kit Assembly	
61927	101
61928	101
61929	101
61930	101
61931	101
Heating Element	
806090	35
Heating Element Plug	
F360202	35
High Voltage Suppression Cable	
44239706	115
Hinge	
D511036	55, 57, 59, 61, 63
Hinge Hole Plug	
D510186	65, 67, 69, 71, 73

Hinge Plate	
802206	23
Hold Down Kit	
526P3	111
Hose Clamp	
F200204	43, 45
685725	27, 41
802281	23
803891	35
804173	27, 29
Hose Clip	
36985	35, 53
800553	35
Hose Stand	
38732	43
Hot/Cold Label	
806454	127

I

ICM Gas Harness	
D516881	115
Idler Lever	
D516310	83
Idler Lever and Wheel Assembly	
D516792	83
Idler Spring	
D510185	83
Idler Wheel and Bearing Assembly	
D510142P	83
Igniter and Bracket Assembly	
D510184P	105
Ignition Control	
70483201P	115
Inner Basket Assembly	
804374P	37
805485	37
Inner Basket Assembly Kit	
804376P	37
Inner Door Bezel	
804562P	21
Inner Door Bezel Kit	
802307P	21
802331P	21
Inverter Control Assembly	
807175P	39

J

Junction Box	
803818	49
803819	49
804559	49
Junction Box Assembly	
D516152	119
D516153	119
Junction Box Cover	
D514363	121
D516186	121
803820	49
Junction Box Seal	
D514379P	121

N/A items do not appear in index.

803832 49

L

Label
D503887 125
804488 129
804969 15
805914 15

Lead-In Cord
D513632 117
D514061 121
D514953 121
D515971 117
D516162 121
D516390 121
D516611 121
202405 49
202777 53, 117
202925 121
202926 121
203315 121
203344 117
39926 49
59373 121
805844 49
805974 49
807034 53

Lead-In Cord Assembly
D503597 117, 121
D510505P 117
D516747 121
804556 49

Lead-In Cord Kit
61605P 121

Lead-In Pipe Assembly
D510204 105, 107

Left Hand Thread Label
685928 127
804949 127

Leveling Leg
D510135 111
34319 47

Lid Assembly
802426P 45

Lifter
804382 37

Light Housing Assembly
D512108 87, 89

Limit Thermostat
D510700 99
D510701 99
D510702 103
D515873 99

Line Filter
804844 123
804864 123
805633 9, 11, 19, 49

Liner and Seal Assembly
DD516509 63
D510098W 59, 61
D516509 57

Liner Door Seal
D510147P 55, 57, 59, 61
D515709 57, 63

Liner, Seal and Grill Assembly
D510163WP 55
D516510WP 55

Lint Filter
D503980LG 91, 93, 95
D503980W 91, 93, 95

Lint Filter Cover
D510502LG 91, 93, 95
D510502W 93, 95

Lint Filter Label
D502781 125
D502804 73

L.P. Conversion Kit
401P3 105
649P3 105

L.P. Orifice
D503786 109
58755 109

M

Main Harness
D516877 131

Manual Reset Thermostat
44253901 99

Mixing Valve
806509 31
806510P 31
806611 31
806612P 31

Mixing Valve Screen
24122 31

Mixing Valve Shield
804783 29

Moisture Sensor Base
D513738 85

Motor and Pulley Assembly
D505843P 79
D505869P 79
D511629P 79

Motor and Rod Assembly Kit
805726P 39

Motor Control Shield
804878 39
806498 39

Motor Harness
806029 133
806962 133

Motor Hub Ring Kit
590P3 79

Motor Mount
D510060 83

Motor Mount Clamp
D510180 79

Motor Pulley
D500011 79
D500222 79

Motor Rod
803861 39

Motor Shield
D514602 75
D516183 75

N/A items do not appear in index.

Motor Switch Bracket	
D516311	83

N

Natural/L.P. Gas Label	
D500240	125
Network Varistor Assembly	
804651	19
Notice Label	
D516073	127
803011	127
Nut	
F430218	35
03673	53
21899	47
23951	21
29786	41
29787	9, 11, 19, 123
36020	23
44071201	57, 61
52566	83
56156	83, 97
685846	21
800452	35, 37
800931	17
802343	35
804418	37
N.G. Conversion Kit	
402P3	105
650P3	105
N.G. Orifice	
D503778	109
D503779	109
D503780	109
D503781	109

O

O-Ring	
802429P	45
Outer Door Bezel	
803710BP	21
803710WP	21
803711P	21
Outer Tub Assembly	
803864	35
803865	35
Outlet Cover	
D500820	99, 103
D515573	99, 103
Out-of-Balance Switch Assembly	
803415	35
Out-of-Balance Switch Bracket	
804457	35
Output Board Shield	
D514420	113
Output Control Assembly	
D513797P	113
D517269	113
Overlay	
806060	17
806121	17

806193	17
Oversuding Label	
802074	127
802838	127
802839	127

P

Paint	
806436P	47, 111
Panel Locator	
56079	23, 47, 65, 67, 69, 71, 73, 113
Pinch Warning Label	
F8615701	125, 127
Pop Rivet	
685847	35
Porcelain Touch-Up Paint	
122P4P	47, 111
Power Cord Assembly	
D506081	117
203119	121
204061	49
39925	49
39929	49
39931	49
58992	117
801450	49
802012	49
805732	49
806179	53
Power Harness	
D514044	131
D515039	131
Power Jumper Harness	
202917	11
Pressure Bulb	
803837	35
Pressure Sensor	
203843	47
Pressure Sensor Harness	
804433	133
Pressure Sensor Tube Assembly	
804483	35
804769	35
Pulley Assembly	
803974	37
Pulley Bolt Tightening Fixture	
802336	51
Pump Housing	
802428	45
Pump Housing Assembly	
802434P	45
Pump-to-Gravity Drain Kit	
805770	43
805771	43
Pushbutton Switch	
M413431	115

R

Rear Access Panel	
803998	7

N/A items do not appear in index.

Rear Bulkhead Assembly	
D510905WP	97
D511082P	97
Rear Control Cabinet	
804859	17
Rear Panel	
803789	47
803790	47
806716	47
Retainer Clip	
36014	43
Retaining Ring	
23748	83, 97
Roller Kit	
RB170002	97
Rubber Foot	
D501855	47
34318	47

S

Screw	
D500226	55, 59, 61
D500227	87, 89
D500824	83
D501086	91, 93, 95
D501285	91, 93, 95, 97
D501524	39
D502535	81
D503661	9, 11, 19, 23, 39, 41, 43, 45, 47, 49, 121
D503688	7, 17, 65, 67, 69, 71, 73, 81, 85, 97, 99, 103, 105, 107, 111, 113, 115, 119
D505295	57, 59, 61, 63
D505870	57, 59, 61, 63
D512921	23, 47, 69, 111
D514428	113
D515597	57, 61
D515967	57, 63
D516261	115
M400043	37, 129
M400057	39
02916	41
20530	53, 117
23222	99, 105
31260	75
33562	65, 67, 69, 71, 73
36048	111
38272	115
39733	23, 47, 65, 67, 69, 71, 73, 113
430497	17
51782	103, 105, 107
56124	105, 107
61199	97
62588	85
685831	37
70240301	7
800461	35
800462	35
800548	21, 23, 27, 37
800930	17
801001	27
801019	21
801045	23
801993	21
802431	45
802596	35

804399	37
804462	129
804667	13, 17, 113
804699	37
806276	23, 47, 69, 71, 73, 113
Screw Orifice	
58719	109
Seal Kit	
RB170001	85, 97
Sealant	
27615P	45
Secondary Coil	
58804B	105
Security Cabinet Harness	
D513991	133
Sensor	
D510213	105
Shaft	
56461P	83, 97
Shield Bracket	
804018	7
Shipping Brace	
804454	129
Shipping Plate	
803851	47
Shipping Plug	
803859	47
Shipping Spacer	
803858	129
Shock Assembly	
803777	35
Side Panel Kit	
806492	47
Snap Bushing	
D503235	41
M402542	9, 11, 19
Spark Electrode	
44328701P	107
Speed Clip	
28835	65, 67, 69, 71, 73
Standpipe Strap	
33489	43
Strain Relief	
32219	43
38384	49, 53, 117
52113	117, 119
60298	49, 119
806511	53
Strain Relief Adapter	
D502496	117
Strain Relief Connector	
D511628	117
Strain Relief Plate	
806508	53
Switch	
D512973	65, 67, 69, 71, 73
D516391	83
Switch Bracket	
D516237	115

N/A items do not appear in index.

T

Terminal Block Assembly	
D505876	19
D510190P	97
803988	9, 19
Terminal Block Drip Shield	
805344	19
Terminal Block Harness	
804737	19
Terminal Block Label	
D514618	119
Terminal Block Shield	
D510237	97
D514330	97
Thermal Fuse Assembly	
D511412	99
Thermistor Assembly	
D502366	81
D510523	81
Thermostat	
D510703	103
Thermostat Opening Cover	
61203	11
Thermostat Shield	
D514325	75
Top and Bracket Assembly	
D513224	111
Top Hinge	
D510136	111
Top Kit	
D510032WP	111
Top Panel	
D510032DG	111
Transformer	
D513763P	113
202758	115
Transformer Shield	
D514334	113
Trunnion Kit	
806831	37
Trunnion Shaft Kit	
804405P	37
Tub Front	
803770	35
Tub Front Assembly	
803879	35
Tub Front Seal	
803801	35
Tub-to-Gravity Drain Hose	
803874	41
Tub-to-Pump Hose	
803816	45
803829	45
T.G. Conversion Kit	
D516445	105

U

Upper Electric Harness	
D513968	131
D516756	131

N/A items do not appear in index.

D516758	131
D517242	131
Upper Gas Harness	
D516757	131
D516765	131
D517094	131
D517098	131
D517100	131
D517211	131
Upper Harness	
D517204	131

V

Venting Instruction Label	
D502791	125

W

Warning Label	
D500049	35, 125, 127
D500314	127
D500316	125, 127
D512263	73, 125
D514226	69, 71, 73, 125
D514410	69, 71, 73, 125
D514866	69, 71, 73, 125
D514867	69, 71, 73, 125
D515692	127
D515714	127
D515728	127
D515740	127
D516187	125
D516243	125
44321601	125
44324001	125
802367	127
803260	125, 127
804924	127
805962	127
805964	127
805965	127
805966	127
806550	127
806591	127
Warning/Caution Label	
D500281	65, 67, 69, 71, 73, 125
Washer	
D504082	97
M400014	129
M400017	41
M400080	39
M400081	35
M403958	37
02834	39
03815	53
20290	33
26509	111
52549	83, 97
800457	37
800464	37
800624	129
802254	33
803615	33
804458	35

Window Clip	
D513958	57, 61
Window Trim	
D503981W	59, 61
D515956W	57, 63
Wire Assembly	
D510527	99
D510528	99
Wire Clamp Ring	
802283	23
Wire Clip	
D504034	53
687500	53
Wire Tie	
38663	53
Wire, 12 Gauge	
45380	131, 133
Wire, 18 Gauge	
45001	131, 133
Wrapper Assembly	
804112W	7
Wrench	
392P4	51
