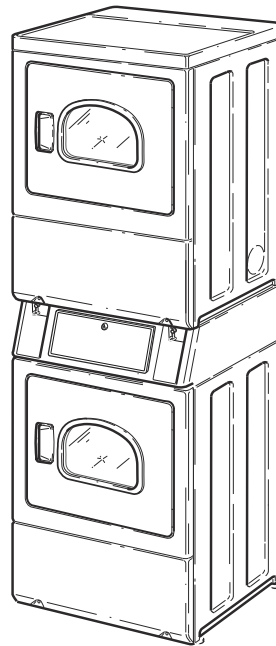
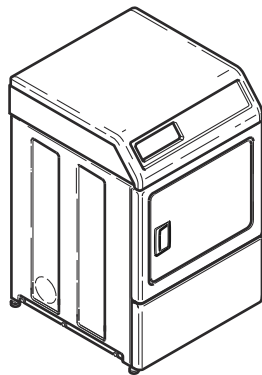
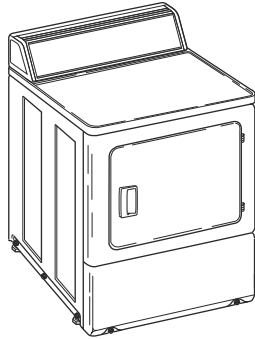


# Dryers

Homestyle

Refer to Page 3 for Model Numbers



DRY726C\_515156



# Table of Contents

Title	Page
Parts Ordering Information.....	2
Serial Plate Location .....	2
Model Identification .....	3
Control Panel and Controls - Rear Control .....	4
Control Panel and Controls - Front Control.....	6
Control Panel and Controls - Stacked Models .....	8
Loading Door - With Window .....	10
Loading Door - Without Window .....	12
Access Panel, Front Panel and Seal .....	14
Motor, Exhaust Fan and Belt .....	16
Front Bulkhead, Air Duct, Felt Seal and Cylinder .....	18
Rear Bulkhead, Felt Seal, Cylinder Roller and Terminal Block.....	20
Heater Duct and Element Assembly .....	22
Heater Duct Assembly .....	24
Gas Valve, Igniter and Gas Conversion Kits.....	26
Cabinet, Exhaust Duct and Base - Single Dryers .....	28
Cabinet, Exhaust Duct and Base - Stacked Dryers (Drawing 1 of 2).....	30
Cabinet, Exhaust Duct and Base - Stacked Dryers (Drawing 2 of 2).....	32
Lead-In Cord .....	34
Power Cord and Junction Box .....	36
Terminal Block and Terminals .....	38
Terminals .....	40
Terminals and Terminal Extractor Tools .....	42
Wire Harnesses and Wires - Gas Stack Models.....	44
Wire Harnesses and Wires - Electric Stack Models.....	46
Wire Harnesses and Wires - Gas Front Control Single Models.....	48
Wire Harnesses and Wires - Electric Front Control Single Models.....	50
Wire Harnesses and Wires - Rear Control Single Models .....	52
Parts Index.....	55

© Copyright 2019, Alliance Laundry Systems LLC

All rights reserved. No part of the contents of this book may be reproduced or transmitted in any form or by any means without the expressed written consent of the publisher.

## Parts Ordering Information

If literature or replacement parts are required, contact the source from whom the machine was purchased or contact Alliance Laundry Systems at (920) 748-3950 for the name and address of the nearest authorized parts distributor.

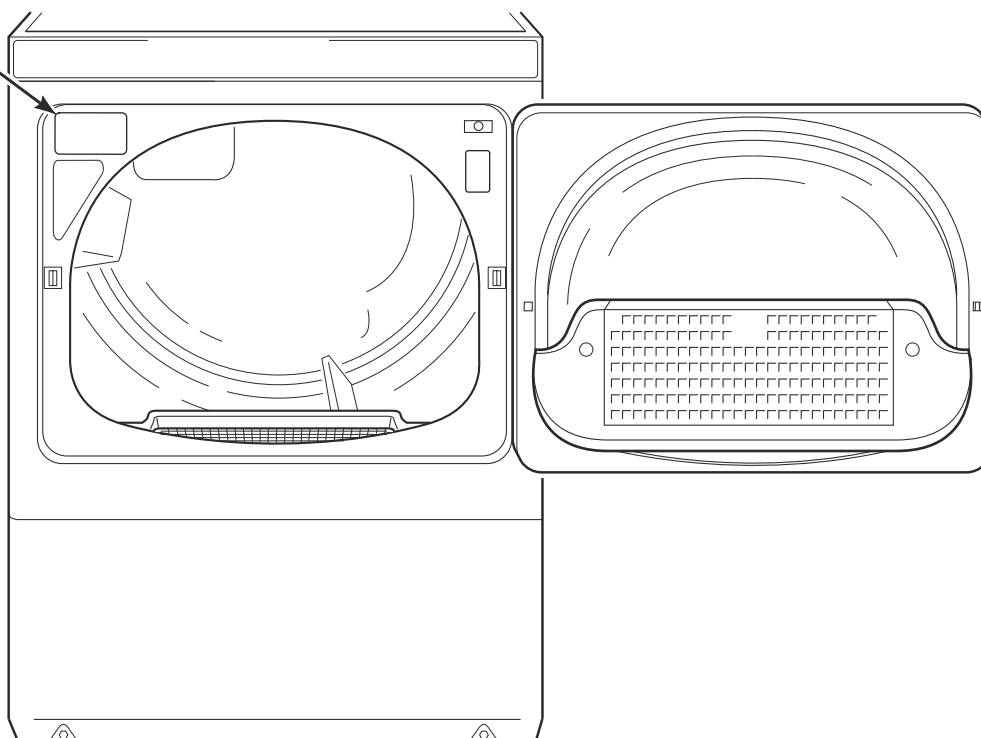
For technical assistance, call the number listed below:

(920) 748-3121 Ripon, Wisconsin

## Serial Plate Location

When calling or writing about your product, be sure to mention model and serial numbers. Model and serial numbers are located on serial plate(s) as shown.

SERIAL PLATE



DRY2283P\_515156

## Model Identification

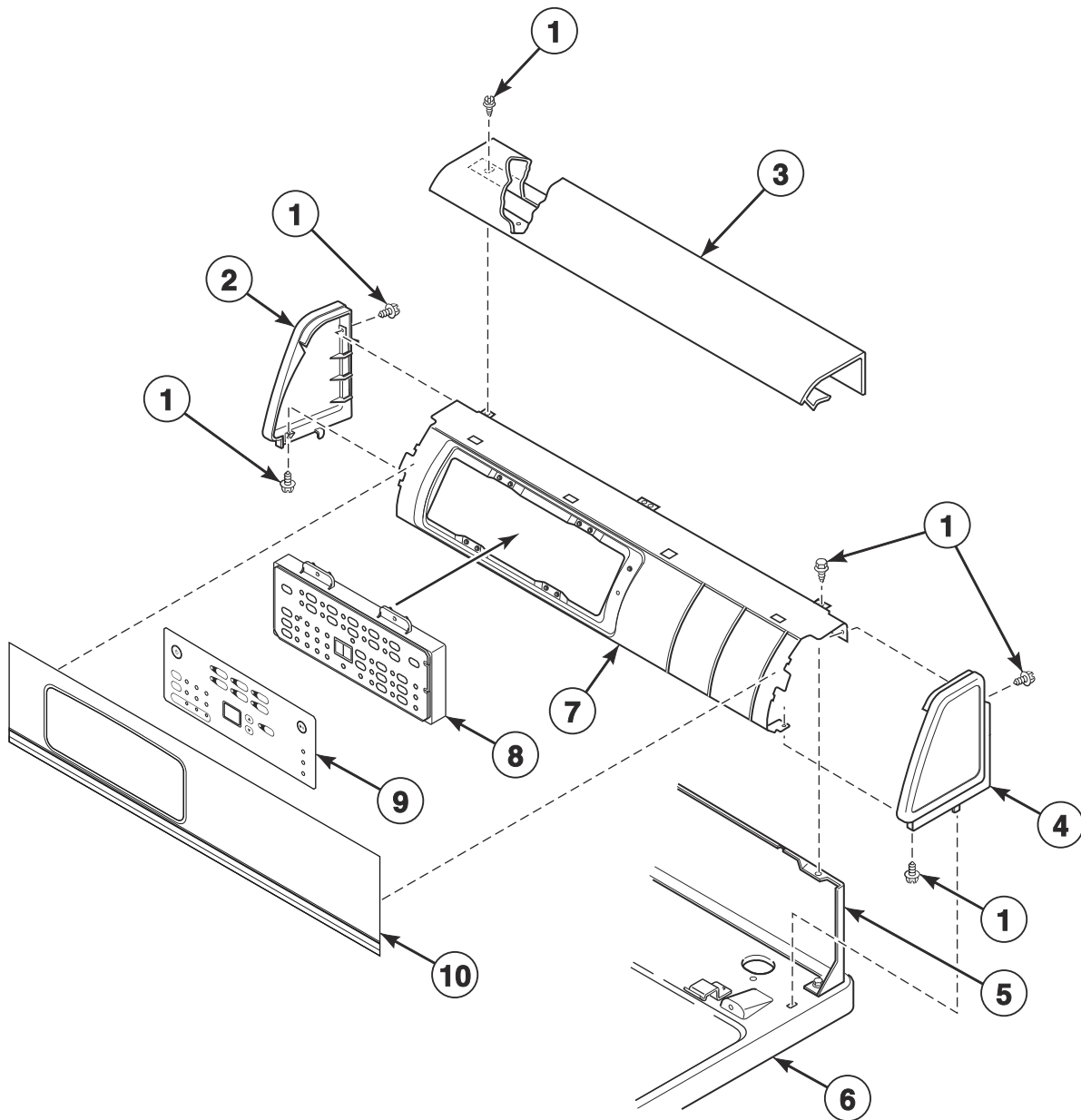
Information in this manual is applicable to these dryer models:

BDEE6BGS173CW01  
BDEE6BGS173TW01  
BDGE6BGS113CW01  
BDGE6BGS113TW01  
LDEA5RGS173TW01  
LDEA5RGS173TW04  
LDEE5BGS153TW01  
LDEE5BGS173CW01  
LDEE5BGS173TW01  
LDEE7RGS153CW01  
LDEE7RGS173CW01  
LDEE7RWS173TW01  
LDGA5RGS113TW01  
LDGE5BGS113CW01  
LDGE5BGS113TW01  
LDGE7RGS113CW01  
LDGE7RWS113TQ01  
LDGE7RWS113TW01

LDLE5BGS303NW26  
LDLE7RWS303NW26  
LSEA5FGS153TW01  
LSEA5FGS153TW04  
LSEA5FGS173TW01  
LSEA5FGS173TW04  
LSEE5AGS153TW01  
LSEE5AGS173TW01  
LSEE5AGW153TW01  
LSEE5AGW173TW01  
LSEE5AGW283CW01  
LSEE5AGW293CW01  
LSGA5FGS113TW01  
LSGE5AGS113TW01  
LSGE5AGW093CW01  
LSGE5AGW113TW01  
LSLE5AGS303NW22  
LSLE5AGW543NW23  
LSLE5AGW543ZW01

PDEE3BGS173TG01  
PDEE4RGS173TG01  
PDGE3BGS113TG01  
PDGE4RGS113TG01  
UDEE5BGS173CW01  
UDEE5BGS173CW08  
UDGE5BGS113TW01  
YDEE5BGS173CW01  
YDEE7RGS153CW01  
YDEE7RGS173CW01  
YDGE5BGS113CW01  
YDGE7RGS113CW01  
YSEE5AGS153TW01  
YSEE5AGS173TW01  
YSGE5AGS113TW01

# Control Panel and Controls - Rear Control

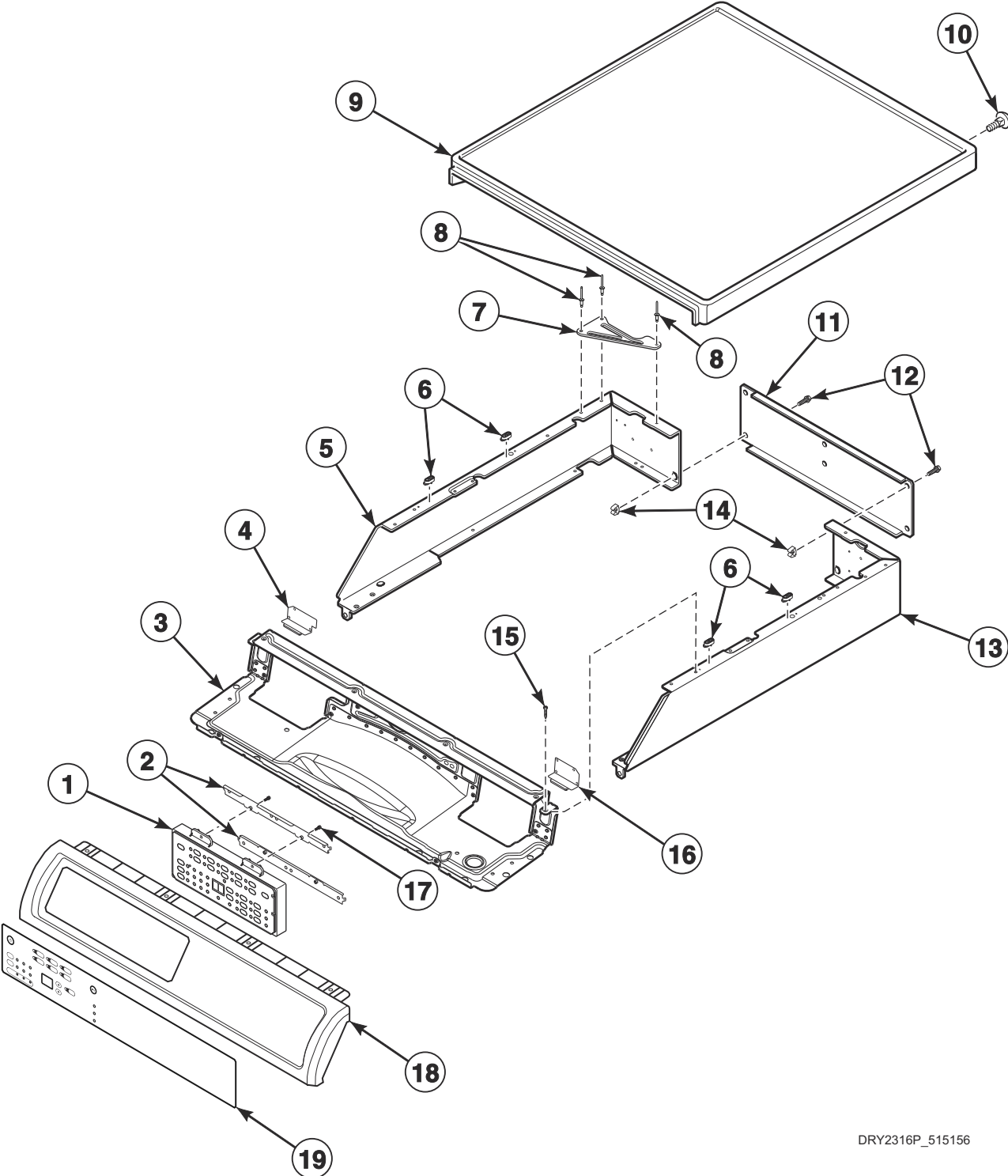


DRY2323P\_515156

## Control Panel and Controls - Rear Control

REF	PART NO.	DESCRIPTION	COMMENTS
1	D501086	Screw	
2	D504007P	End Panel	Left; Models PDEE4RGS173TG01 and PDGE4RGS113TG01
	D504009WP	End Panel	Left; All other models
3	D505808DG	Top Cover	Gray; Models PDEE4RGS173TG01 and PDGE4RGS113TG01
	D505808W	Top Cover	All other models
4	D504006P	End Panel	Right; Models PDEE4RGS173TG01 and PDGE4RGS113TG01
	D504008WP	End Panel	Right; All other models
5	804169	Hood Back Panel	
6	D510029DG	Top Panel	Models PDEE4RGS173TG01 and PDGE4RGS113TG01
	D510029WP	Top Panel Kit	All other models
7	804836	Control Support Panel	
8	D515506P	Control Assembly	Includes item 9; Models LDEE7RGS153CW01, LDEE7RGS173CW01, LDGE7RGS113CW01, LDLE7RWS303NW26, YDEE7RGS153CW01, YDEE7RGS173CW01 and YDGE7RGS113CW01
	D515505P	Control Assembly	Includes item 9; Models LDEE7RWS173TW01, LDGE7RWS113TQ01 and LDGE7RWS113TW01
	D515430P	Control Assembly	Models LDEA5RGS173TW01, LDEA5RGS173TW04 and LDGA5RGS113TW01
	D514121P	Control Assembly	Models PDEE4RGS173TG01 and PDGE4RGS113TG01
9	D514191	Control Overlay	Models LDLE7RWS303NW26, YDEE7RGS153CW01, YDEE7RGS173CW01 and YDGE7RGS113CW01
	D514189	Control Overlay	Models LDEE7RGS153CW01, LDEE7RGS173CW01, LDEE7RWS173TW01, LDGE7RGS113CW01, LDGE7RWS113TQ01 and LDGE7RWS113TW01
	D515082	Overlay	Models LDEA5RGS173TW01, LDEA5RGS173TW04 and LDGA5RGS113TW01
	D515678	Control Overlay	Models PDEE4RGS173TG01 and PDGE4RGS113TG01
10	805448	Graphic Panel	Models YDEE7RGS153CW01, YDEE7RGS173CW01 and YDGE7RGS113CW01
	805406	Graphic Panel	Models LDEA5RGS173TW01, LDEE7RGS153CW01, LDEE7RGS173CW01, LDEE7RWS173TW01, LDGA5RGS113TW01, LDGE7RGS113CW01, LDGE7RWS113TQ01 and LDGE7RWS113TW01
	805608	Graphic Panel	Models PDEE4RGS173TG01 and PDGE4RGS113TG01

# Control Panel and Controls - Front Control



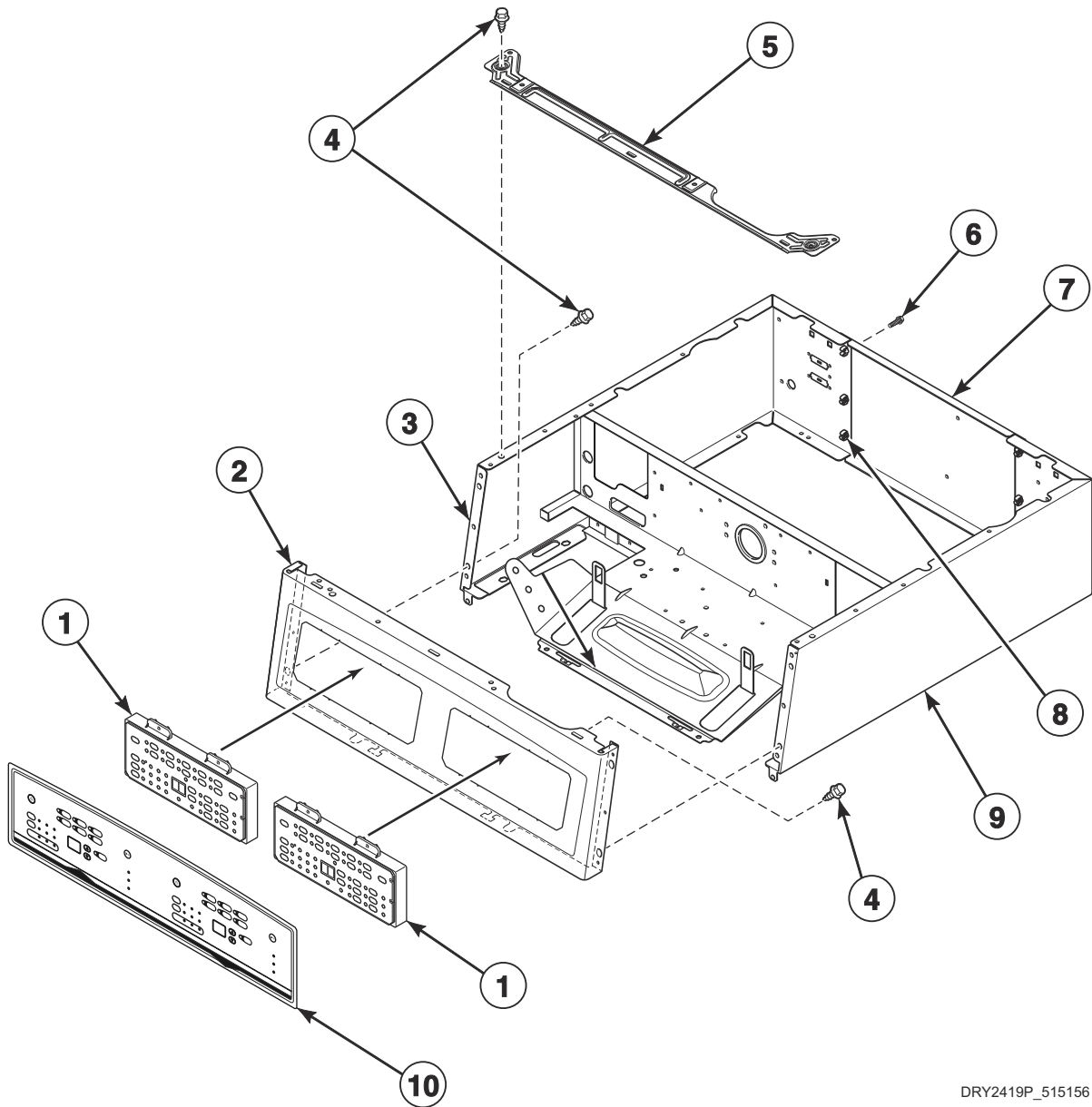
DRY2316P\_515156



## Control Panel and Controls - Front Control

REF	PART NO.	DESCRIPTION	COMMENTS
1	D514566P	Control	Models BDEE6BGS173CW01, BDEE6BGS173TW01, BDGE6BGS113CW01 and BDGE6BGS113TW01
	D514565P	Control Assembly	Models LDEE5BGS153TW01, LDEE5BGS173CW01, LDEE5BGS173TW01, LDGE5BGS113CW01, LDGE5BGS113TW01, LDLE5BGS303NW26, UDEE5BGS173CW01, UDEE5BGS173CW08, UDGE5BGS113TW01, YDEE5BGS173CW01 and YDGE5BGS113CW01
	D514121P	Control Assembly	Models PDEE3BGS173TG01 and PDGE3BGS113TG01
2	804611	Control Bracket	2 required
3	804613	Top Panel Brace Assembly	
4	804741	Control Access Panel	Left; Models BDEE6BGS173CW01, BDEE6BGS173TW01, LDEE5BGS153TW01, LDEE5BGS173CW01, LDEE5BGS173TW01, UDEE5BGS173CW01, UDEE5BGS173CW08 and YDEE5BGS173CW01
5	804627DG	Control Wrapper	Left; Models PDEE3BGS173TG01 and PDGE3BGS113TG01
	804627W	Control Wrapper	Left; All other models
6	803761	Top Panel Guide	4 required; Use 39733 Screw to attach
7	805345	Rear Wrapper Brace	
8	685847	Pop Rivet	
9	804685DG	Top Panel	Gray; Models PDEE3BGS173TG01 and PDGE3BGS113TG01
	804685WP	Top Panel	White; All other models
10	D503661	Screw	2 required
11	804614	Rear Access Panel	
12	70240301	Screw	4 required
13	804630DG	Control Wrapper	Right; Models PDEE3BGS173TG01 and PDGE3BGS113TG01
	804630W	Control Wrapper	Right; All other models
14	70030501	Expansion Clip	
15	D503688	Screw	
16	804793	Control Access Panel	Right; Models BDEE6BGS173CW01, BDEE6BGS173TW01, LDEE5BGS153TW01, LDEE5BGS173CW01, LDEE5BGS173TW01, UDEE5BGS173CW01, UDEE5BGS173CW08 and YDEE5BGS173CW01
17	804608	Screw	
18	804960	Control Panel Assembly	Model LDLE5BGS303NW26
	805005	Control Panel Assembly	Models PDEE3BGS173TG01 and PDGE3BGS113TG01
	804659W	Control Panel Assembly	Use 804667 Screw to attach; All other models
19	D514482	Control Overlay	Models BDEE6BGS173CW01, BDGE6BGS113CW01, LDLE5BGS303NW26, UDEE5BGS173CW01, UDEE5BGS173CW08, YDEE5BGS173CW01 and YDGE5BGS113CW01
	D514925	Control Overlay	Models BDEE6BGS173TW01, BDGE6BGS113TW01, LDEE5BGS153TW01, LDEE5BGS173CW01, LDEE5BGS173TW01, LDGE5BGS113CW01, LDGE5BGS113TW01 and UDGE5BGS113TW01
	D515682	Control Overlay	Models PDEE3BGS173TG01 and PDGE3BGS113TG01

# Control Panel and Controls - Stacked Models



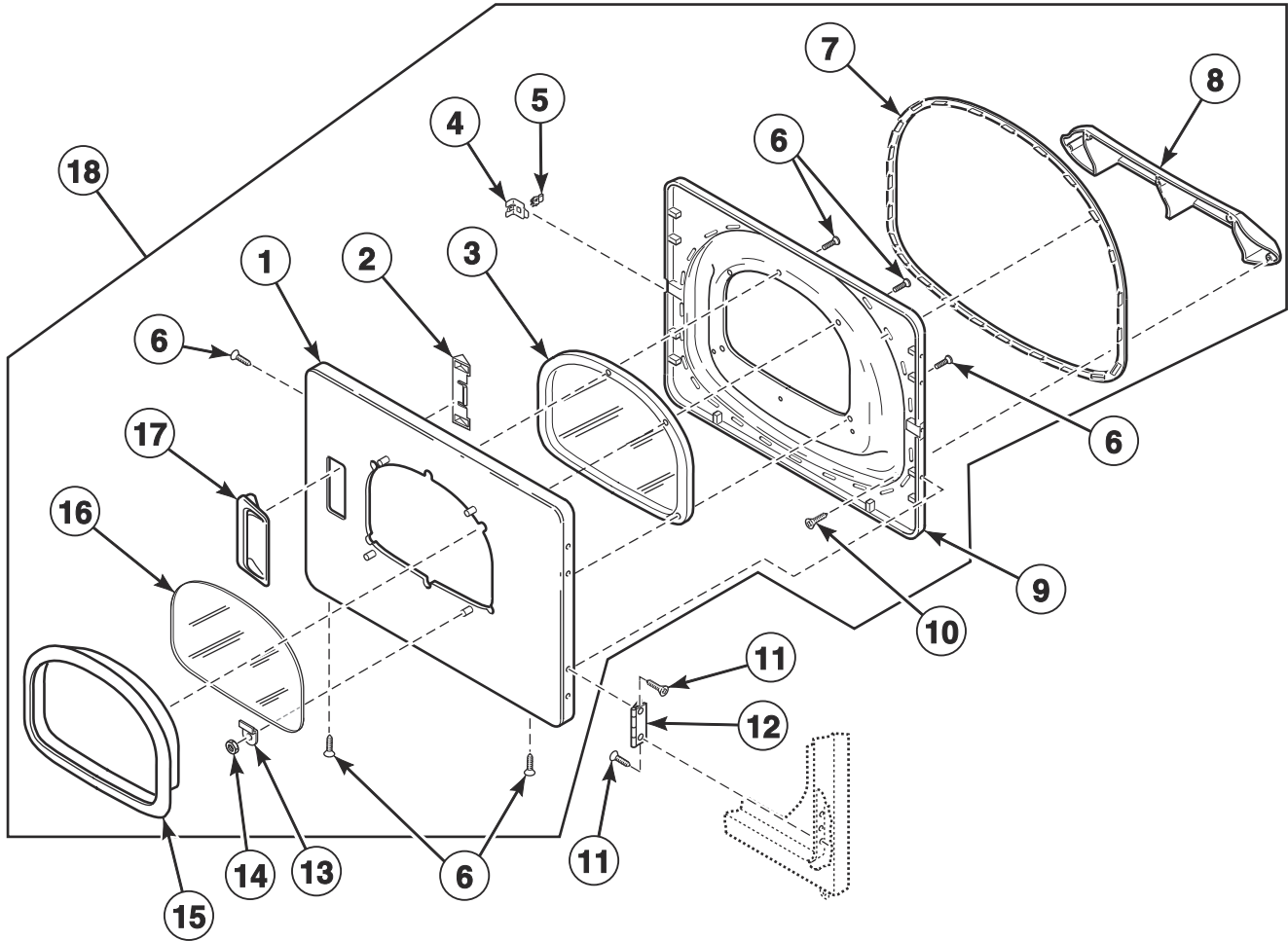
DRY2419P\_515156

## Control Panel and Controls - Stacked Models

REF	PART NO.	DESCRIPTION	COMMENTS
1	D514565P	Control Assembly	
2	806120W	Control Panel	Models LSEA5FGS153TW01, LSEA5FGS153TW04, LSEA5FGS173TW01, LSEA5FGS173TW04 and LSGA5FGS113TW01
	803960WP	Control Panel	All other models
3	804640W	Control Cabinet	Left; Models LSEA5FGS153TW01, LSEA5FGS153TW04, LSEA5FGS173TW01, LSEA5FGS173TW04 and LSGA5FGS113TW01
4	D503688	Screw	
5	804018	Shield Bracket	
6	70240301	Screw	
7	804859	Rear Control Cabinet	Models LSEA5FGS153TW01, LSEA5FGS153TW04, LSEA5FGS173TW01, LSEA5FGS173TW04 and LSGA5FGS113TW01
	803998	Rear Access Panel	All other models
8	70030501	Expansion Clip	
9	804639W	Control Cabinet	Right; Models LSEA5FGS153TW01, LSEA5FGS153TW04, LSEA5FGS173TW01, LSEA5FGS173TW04 and LSGA5FGS113TW01
	804112W	Wrapper Assembly	All other models
10	D515572	Control Overlay	Models LSEA5FGS153TW01, LSEA5FGS153TW04, LSEA5FGS173TW01, LSEA5FGS173TW04 and LSGA5FGS113TW01
	D514889	Control Overlay	All other models

# Loading Door - With Window

Models LSEE5AGW153TW01, LSEE5AGW173TW01, LSEE5AGW283CW01, LSEE5AGW293CW01, LSGE5AGW093CW01, LSGE5AGW113TW01, LSLE5AGW543NW23 and LSLE5AGW543ZW01



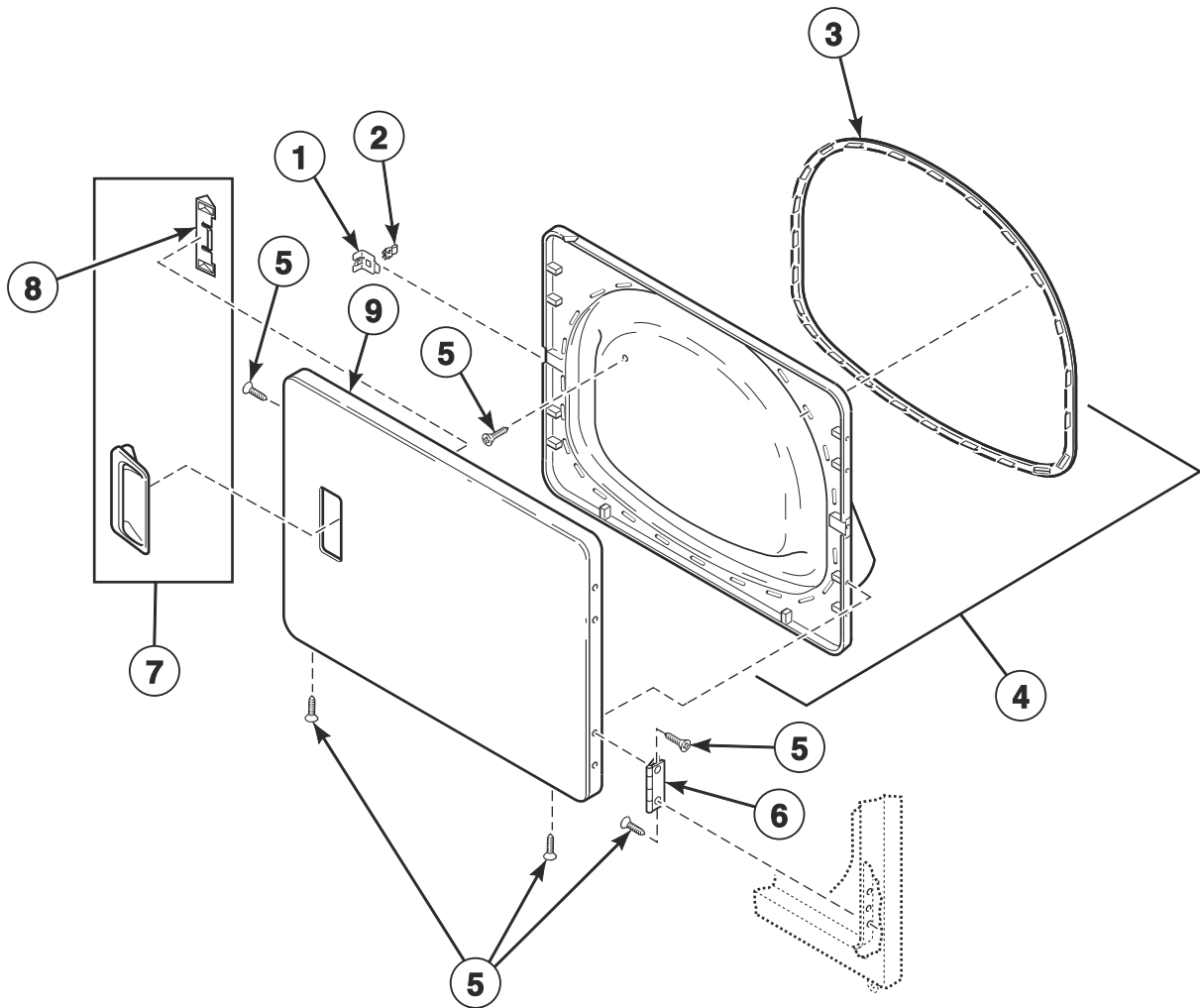
DRY2296P\_515156

## Loading Door - With Window

REF	PART NO.	DESCRIPTION	COMMENTS
1	D516737W	Door Assembly	Models LSEE5AGW153TW01, LSEE5AGW173TW01, LSEE5AGW283CW01 and LSEE5AGW293CW01
	D510082WP	Dryer Door	Models LSGE5AGW093CW01, LSGE5AGW113TW01, LSLE5AGW543NW23 and LSLE5AGW543ZW01
2	D510129W	Door Handle Wedge	
3	D503982P	Dryer Door Window	
4	D510127	Door Strike Mount	
5	D510181	Door Strike	
6	D500226	Screw	
7	D510147P	Liner Door Seal	
8	D503870LG	Door Liner Grill	Models LSEE5AGW153TW01, LSEE5AGW173TW01, LSEE5AGW283CW01 and LSEE5AGW293CW01
	D503870W	Door Liner Grill	Models LSGE5AGW113TW01, LSLE5AGW543NW23 and LSLE5AGW543ZW01
9	D516737W	Door Assembly	Includes item 7; Models LSEE5AGW153TW01, LSEE5AGW173TW01, LSEE5AGW283CW01 and LSEE5AGW293CW01
	D510098W	Liner and Seal Assembly	Includes item 7; Models LSGE5AGW093CW01, LSGE5AGW113TW01, LSLE5AGW543NW23 and LSLE5AGW543ZW01
10	D505870	Screw	
11	D500226	Screw	
12	D511036	Hinge	
13	D513958	Window Clip	Models LSEE5AGW153TW01, LSEE5AGW173TW01, LSEE5AGW283CW01 and LSEE5AGW293CW01
14	44071201	Nut	Models LSEE5AGW153TW01, LSEE5AGW173TW01, LSEE5AGW283CW01 and LSEE5AGW293CW01
15	D516737W	Door Assembly	Models LSEE5AGW153TW01, LSEE5AGW173TW01, LSEE5AGW283CW01 and LSEE5AGW293CW01
	D503981W	Window Trim	Models LSGE5AGW093CW01, LSGE5AGW113TW01, LSLE5AGW543NW23 and LSLE5AGW543ZW01
16	D516737W	Door Assembly	Models LSEE5AGW153TW01, LSEE5AGW173TW01, LSEE5AGW283CW01 and LSEE5AGW293CW01
17	D510103WP	Door Pull and Wedge Kit	Includes item 2
18	D511636WP	Door and Liner Assembly	White; Includes items 1-10, 15 and 17; Models LSGE5AGW093CW01, LSGE5AGW113TW01, LSLE5AGW543NW23 and LSLE5AGW543ZW01

# Loading Door - Without Window

All Models Except LSEE5AGW153TW01, LSEE5AGW173TW01, LSGE5AGW113TW01,  
LSLE5AGW543NW23 and LSLE5AGW543ZW01

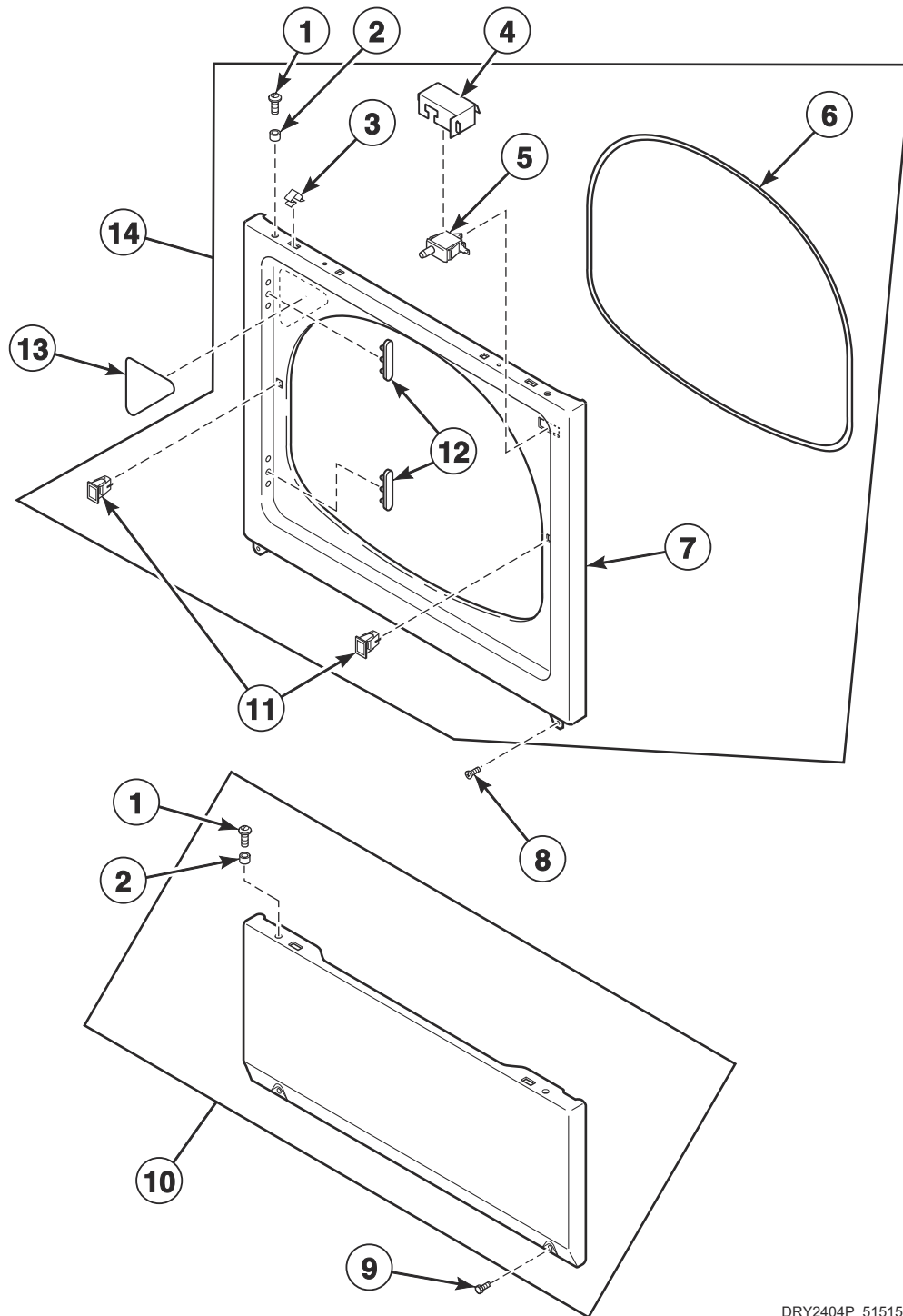


DRY1784P\_515156

## Loading Door - Without Window

REF	PART NO.	DESCRIPTION	COMMENTS
1	D510127	Door Strike Mount	
2	D510181	Door Strike	
3	D510147P	Liner Door Seal	
4	D510163WP	Liner, Seal and Grill Assembly	Includes item 3; Gas models
	D516510WP	Liner, Seal and Grill Assembly	Includes item 3; Electric models
5	D500226	Screw	
6	D511036	Hinge	
7	D510103WP	Door Pull and Wedge Kit	White; Includes item 8
	D510103QP	Door Pull and Wedge Kit	Bisque; Includes item 8
	D512947	Door Pull	Gray
8	D510129W	Door Handle Wedge	White
	D510103WP	Door Pull and Wedge Kit	Gray
9	D510013WP	Dryer Door	White
	D510013QP	Dryer Door	Bisque
	D510013DG	Dryer Door	Gray

# Access Panel, Front Panel and Seal



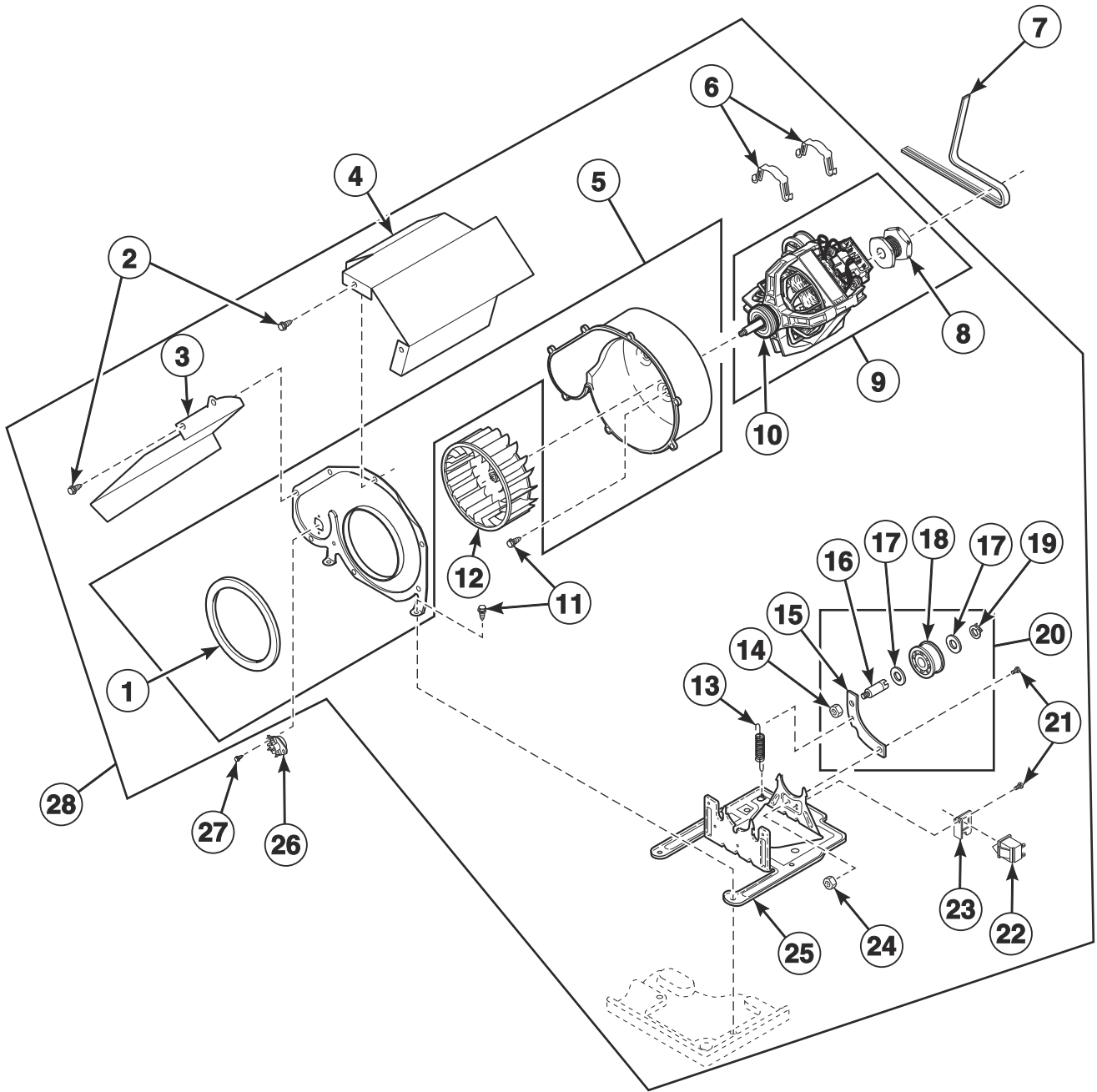
DRY2404P\_515156



## Access Panel, Front Panel and Seal

REF	PART NO.	DESCRIPTION	COMMENTS
1	39733	Screw	
2	56079	Panel Locator	
3	28835	Speed Clip	
4	D514327	Drip Shield	Model LSLE5AGW543ZW01
5	D512973	Switch	
6	D511056	Front Panel Seal	
7	D510066WP	Front Panel	White
	D510066QP	Front Panel	Bisque
	D510066DG	Front Panel	Gray
8	D503688	Screw	
9	33562	Screw	
10	D514250WP	Access Panel Assembly	White; Models BDGE6BGS113CW01, BDGE6BGS113TW01, LDGE5BGS113TW01, LDGE7RWS113TW01, LSGA5FGS113TW01, LSGE5AGS113TW01, LSGE5AGW093CW01, LSGE5AGW113TW01, LSLE5AGS303NW22, LSLE5AGW543NW23, LSLE5AGW543ZW01, UDGE5BGS113TW01, YDGE5BGS113CW01, YDGE7RGS113CW01 and YSGE5AGS113TW01
	D514250DG	Access Panel Assembly	Gray; Models PDEE3BGS173TG01, PDEE4RGS173TG01, PDGE3BGS113TG01 and PDGE4RGS113TG01
	D514250Q	Access Panel Assembly	Bisque; Model LDGE7RWS113TQ01
	D514250WP	Access Panel Assembly	White; Electric models
11	D510177	Door Catch Assembly	
12	D510186	Hinge Hole Plug	
13	D500281	Warning/Caution Label	
14	D513781WP	Front Panel Assembly	Models LSLE5AGS303NW22, LSLE5AGW543NW23 and LSLE5AGW543ZW01; Includes items 1-3, 5-7, 11 and 12, D511636WP Door Assembly, (2) D511036 Door Hinge and (8) D500226 Screw

# Motor, Exhaust Fan and Belt

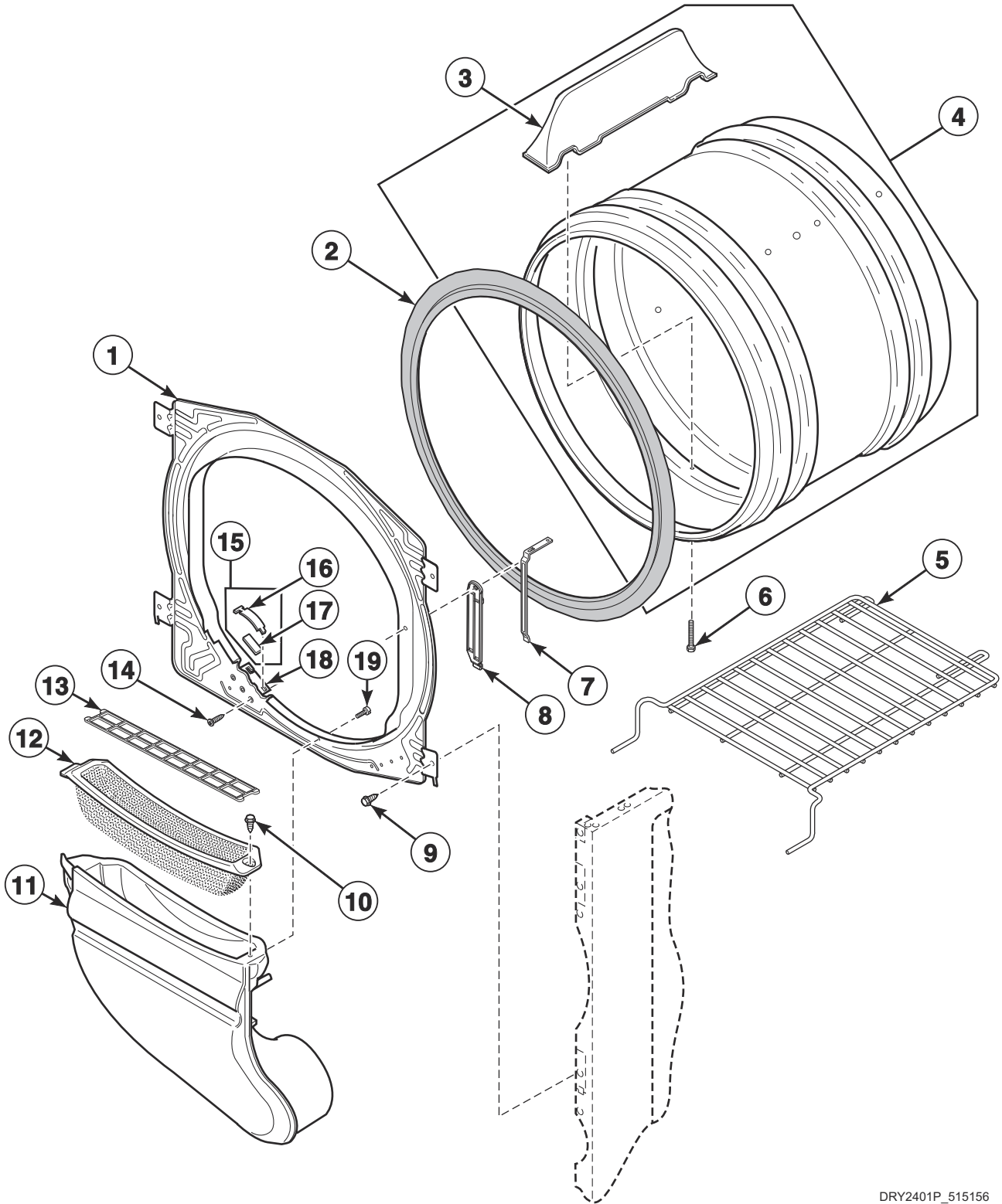


DRY2519P\_515156

## Motor, Exhaust Fan and Belt

REF	PART NO.	DESCRIPTION	COMMENTS
	27604P	Anti-Seize Compound	
1	D510238P	Blower Housing Seal	
2	31260	Screw	
3	D514325	Thermostat Shield	Model LSLE5AGW543ZW01
4	D514602	Motor Shield	Models LDLE5BGS303NW26, LDLE7RWS303NW26 and LSLE5AGW543ZW01
5	D511969WP	Blower Housing	Includes items 1 and 2
6	D510180	Motor Mount Clamp	
7	D511255P	Cylinder Belt	
8	D500011	Motor Pulley	60 Hertz
9	D505869P	Motor and Pulley Assembly	240 Volt/60 Hertz; Includes items 8 and 10; Models LSLE5AGW543NW23 and LSLE5AGW543ZW01
	D505843P	Motor and Pulley Assembly	240 Volt/50 Hertz; Includes items 8 and 10; Models LDLE5BGS303NW26, LDLE7RWS303NW26 and LSLE5AGS303NW22
	D511629P	Motor and Pulley Assembly	120 Volt/60 Hertz; Includes items 8 and 10; All other models
10	590P3	Motor Hub Ring Kit	
11	D503688	Screw	
12	D510139P	Blower Fan Assembly	
13	D510185	Idler Spring	
14	56156	Nut	
15	D516310	Idler Lever	
16	56461P	Shaft	
17	52549	Washer	
18	D510142P	Idler Wheel and Bearing Assembly	
19	23748	Retaining Ring	
20	D516792	Idler Lever and Wheel Assembly	Includes items 14-19
21	D500824	Screw	
22	D516391	Switch	All models except LDLE5BGS303NW26, LDLE7RWS303NW26, LSLE5AGS303NW22, LSLE5AGW543NW23 and LSLE5AGW543ZW01 starting Serial No. 1903000001
23	D516311	Motor Switch Bracket	All models except LDLE5BGS303NW26, LDLE7RWS303NW26, LSLE5AGS303NW22, LSLE5AGW543NW23 and LSLE5AGW543ZW01 starting Serial No. 1903000001
24	52566	Nut	
25	D510060	Motor Mount	
26	D502366	Thermistor Assembly	Models LDLE5BGS303NW26, LDLE7RWS303NW26 and LSLE5AGS303NW22
	D510523	Thermistor Assembly	Black; All other models
27	D502535	Screw	
28	D510717P	Blower and Fan Kit	Includes items 1, 2, 5, 6 and 8-25

# Front Bulkhead, Air Duct, Felt Seal and Cylinder

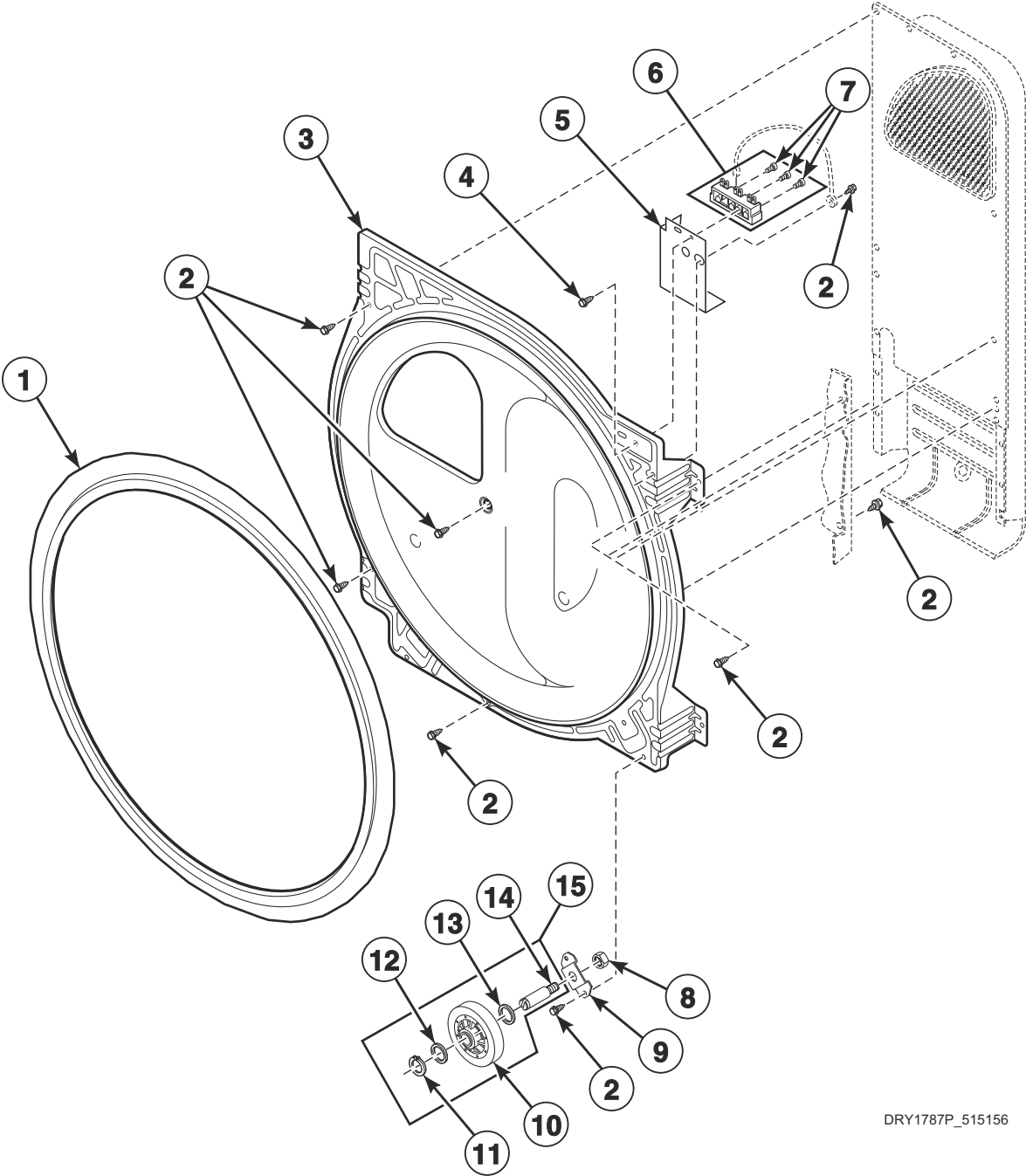


DRY2401P\_515156

## Front Bulkhead, Air Duct, Felt Seal and Cylinder

REF	PART NO.	DESCRIPTION	COMMENTS
	F8211201	Electrical Shock Label	Models LSLE5AGS303NW22, LSLE5AGW543NW23 and LSLE5AGW543ZW01
	F8615701	Pinch Warning Label	Models LSLE5AGS303NW22, LSLE5AGW543NW23 and LSLE5AGW543ZW01
	44324001	Warning Label	All models except LSLE5AGS303NW22, LSLE5AGW543NW23 and LSLE5AGW543ZW01
1	D513639W	Front Bulkhead	Painted; Moisture sensor; Models LDEE7RWS173TW01, LDGE7RWS113TQ01 and LDGE7RWS113TW01
	D513638	Front Bulkhead	Moisture sensor; All other models
2	D510207P	Cylinder Seal Assembly	
	D511637P	Adhesive	For cylinder seal
	RB170001	Seal Kit	Includes 2 cylinder seals, D510238P Blower Housing Seal and Adhesive
3	D510102W	Cylinder Baffle	3 required; Models BDGE6BGS113CW01, BDGE6BGS113TW01, LDGE5BGS113CW01, LDGE5BGS113TW01, LDGE7RGS113CW01, LDGE7RWS113TQ01, LDGE7RWS113TW01, LSGA5FGS113TW01, LSGE5AGS113TW01, LSGE5AGW093CW01, LSGE5AGW113TW01, LSLE5AGS303NW22, LSLE5AGW543NW23, LSLE5AGW543ZW01, PDGE3BGS113TG01, UDGE5BGS113TW01, YDGE5BGS113CW01 and YDGE7RGS113CW01
	D510102LG	Cylinder Baffle	3 required; All other models
4	D510159WP	Cylinder Assembly	White; Includes item 3; Models LDGE7RWS113TQ01 and LDGE7RWS113TW01
	D510265WP	Cylinder Assembly	Galvanized; Includes item 3; Models BDGE6BGS113CW01, BDGE6BGS113TW01, LDGE5BGS113CW01, LDGE5BGS113TW01, LDGE7RGS113CW01, LSGA5FGS113TW01, LSGE5AGS113TW01, LSGE5AGW093CW01, LSGE5AGW113TW01, LSLE5AGS303NW22, LSLE5AGW543NW23, LSLE5AGW543ZW01, PDGE3BGS113TG01, UDGE5BGS113TW01, YDGE5BGS113CW01 and YDGE7RGS113CW01
	D510265LGP	Cylinder Assembly	Gray; Includes item 3; All other models
5	D512082P	Drying Rack	
6	62588	Screw	
7	D513737	Bar Sensor	2 required
8	D513738	Moisture Sensor Base	
9	D503688	Screw	
10	D501285	Screw	
11	D510151W	Air Duct Assembly	Gas models
	D515805LG	Air Duct Assembly	Electric models
12	D503980W	Lint Filter	Gas models
	D503980LG	Lint Filter	Electric models
13	D510502W	Lint Filter Cover	Gas models
	D510502LG	Lint Filter Cover	Electric models
14	52864	Screw	
15	RB170003	Glide Kit	Includes 2 of items 16 and 17
16	D513710	Cylinder Glide	2 required
17	D510189	Felt Pad	2 required
18	D510145	Cylinder Glide Bracket	2 required
19	D500226	Screw	

# Rear Bulkhead, Felt Seal, Cylinder Roller and Terminal Block



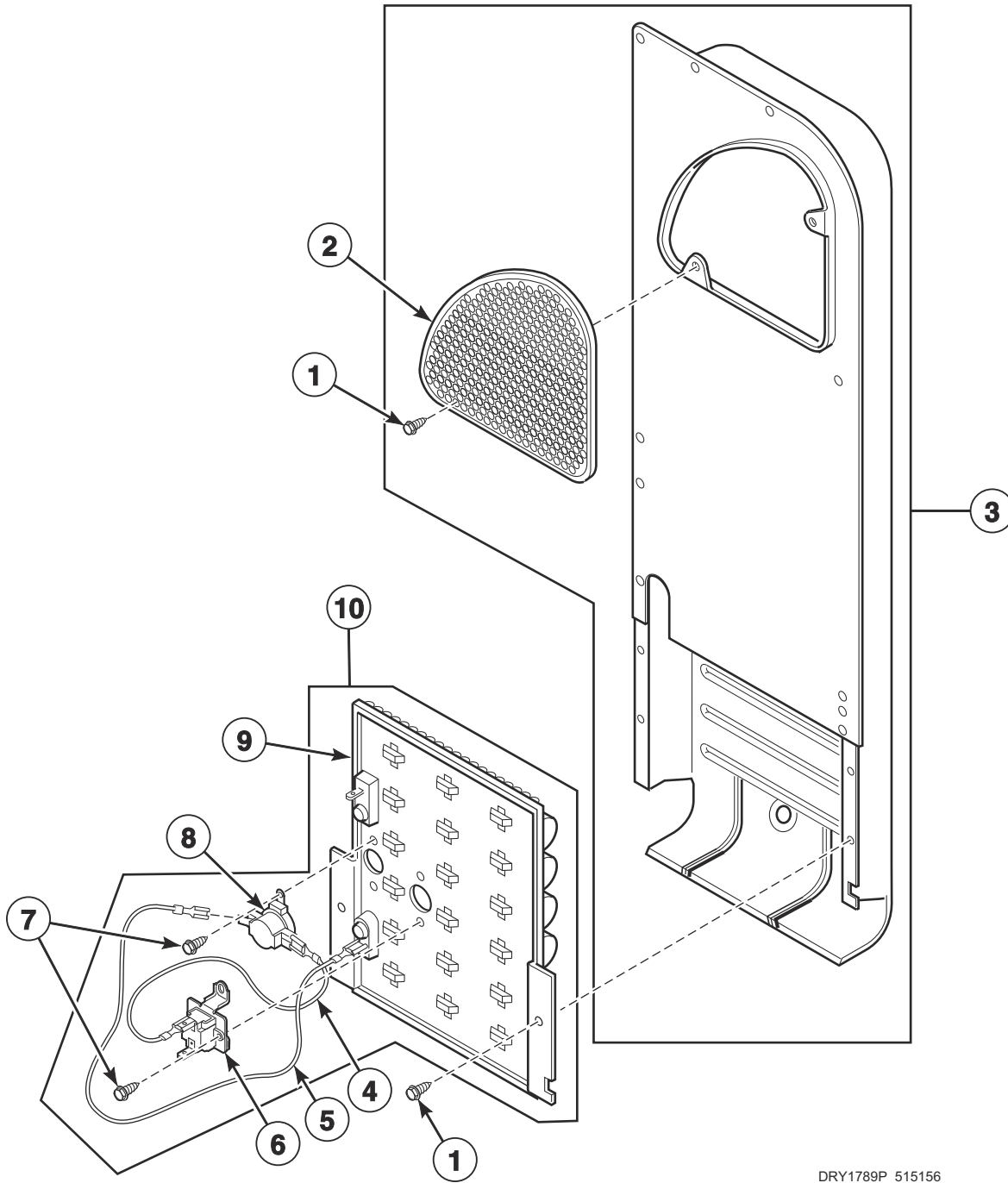
DRY1787P\_515156

## Rear Bulkhead, Felt Seal, Cylinder Roller and Terminal Block

REF	PART NO.	DESCRIPTION	COMMENTS
1	D510207P	Cylinder Seal Assembly	
	D511637P	Adhesive	For cylinder seal
	RB170001	Seal Kit	Includes 2 cylinder seals, D510238P Blower Housing Seal and Adhesive
2	D503688	Screw	
3	D510042W	Rear Bulkhead	White; Includes item 1; Models LDEE7RWS173TW01, LDGE7RWS113TQ01, LDGE7RWS113TW01, PDEE4RGS173TG01 and PDGE4RGS113TG01
	D511082P	Rear Bulkhead Assembly	Galvanized; Includes item 1; All other models
4	44023301	Screw	Electric models
5	D514330	Terminal Block Shield	Model LSLE5AGS303NW22
	D510237	Terminal Block Shield	Electric models; Through Serial No. 1903000001
6	D510190P	Terminal Block Assembly	Includes 3 of item 7; Electric models
7	61199	Screw	
8	56156	Nut	
9	D510100	Cylinder Roller Bracket	
10	D510708P	Cylinder Roller	2 required; One per side
11	23748	Retaining Ring	
12	52549	Washer	
13	D504082	Washer	
14	56461P	Shaft	
15	RB170002	Roller Kit	Includes items 10-14

# Heater Duct and Element Assembly

Electric Models



DRY1789P\_515156

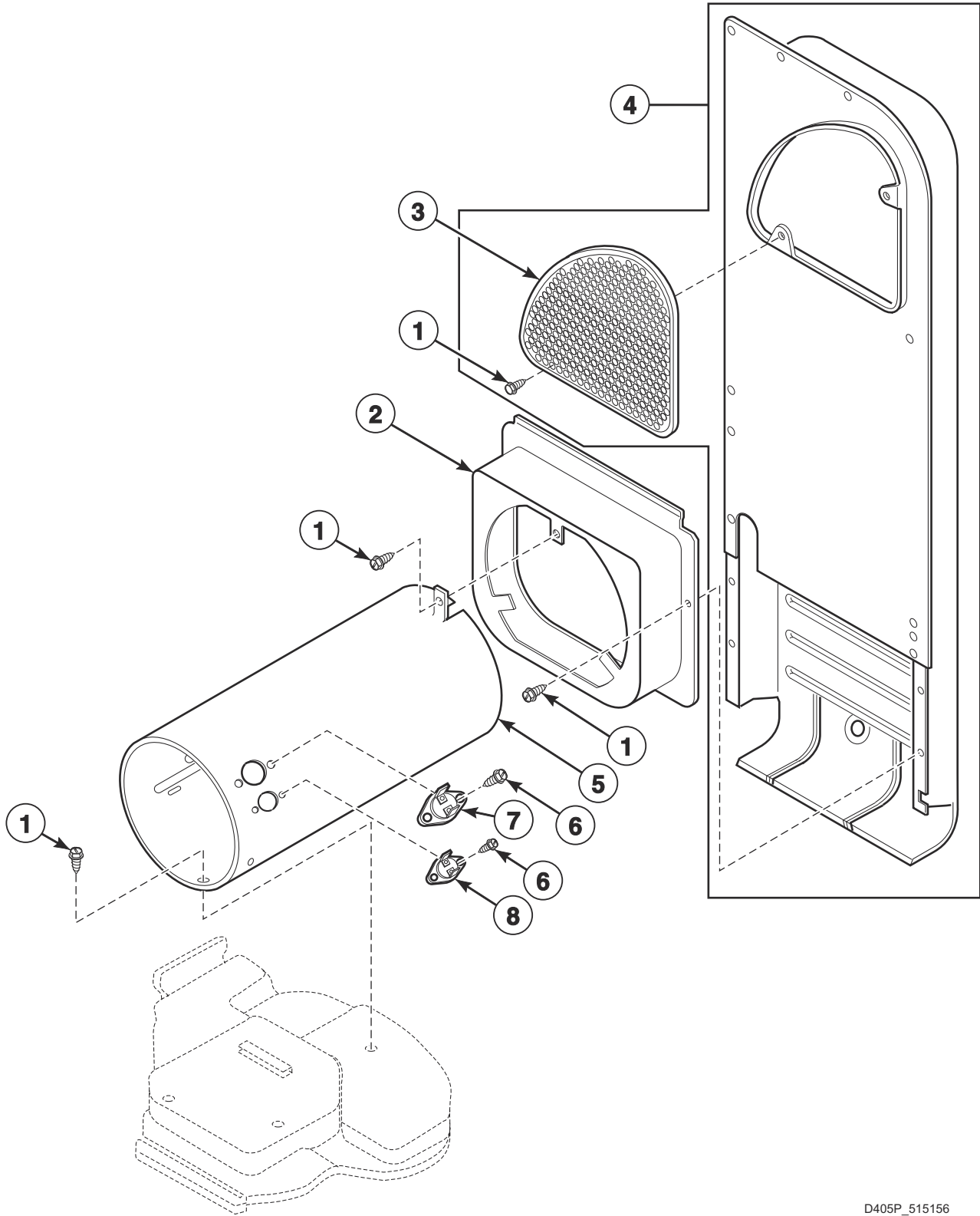


## Heater Duct and Element Assembly

REF	PART NO.	DESCRIPTION	COMMENTS
1	D503688	Screw	2 required
2	D500820	Outlet Cover	
	D515573	Outlet Cover	Black
3	D510025P	Heater Duct Assembly	Includes items 1 and 2
4	D510528	Wire Assembly	Orange; Thermostat jumper; Attaches to heater assembly
5	D510527	Wire Assembly	Black; Fuse jumper; Attaches to heater assembly
6	D511412	Thermal Fuse Assembly	
7	23222	Screw	
8	D510701	Limit Thermostat	
9	D510325P	Heater	4.75 kW; 208 Volt/60 Hertz; Models LDEE5BGS153TW01, LSEA5FGS153TW01, LSEA5FGS153TW04, LSEE5AGS153TW01, LSEE5AGW153TW01, LSEE5AGW283CW01, LSEE5AGW293CW01 and YSEE5AGS153TW01
	D510324P	Heater Assembly	5 kW; 240 Volt/60 Hertz; Models BDEE6BGS173CW01, LDEE7RGS173CW01, UDEE5BGS173CW01, UDEE5BGS173CW08, YDEE5BGS173CW01 and YDEE7RGS173CW01
	D510330P	Heater Assembly	4.25 kW; 208 Volt/60 Hertz; Models LDEE7RGS153CW01 and YDEE7RGS153CW01
	D510329P	Heater Assembly	5.35 kW; 240 Volt/60 Hertz; All other models
10	61928	Heater Kit Assembly	4.75 kW; 208 Volt/60 Hertz; Optional; Includes items 4-9
	61927	Heater Kit Assembly	5 kW; 240 Volt/60 Hertz; Includes items 4-9
	965P3	Heater Kit	4.25 kW; 208 Volt/60 Hertz; Optional; Includes items 4-9
	964P3	Heater Kit	5.35 kW; 240 Volt/60 Hertz; Includes items 4-9

# Heater Duct Assembly

Gas Models



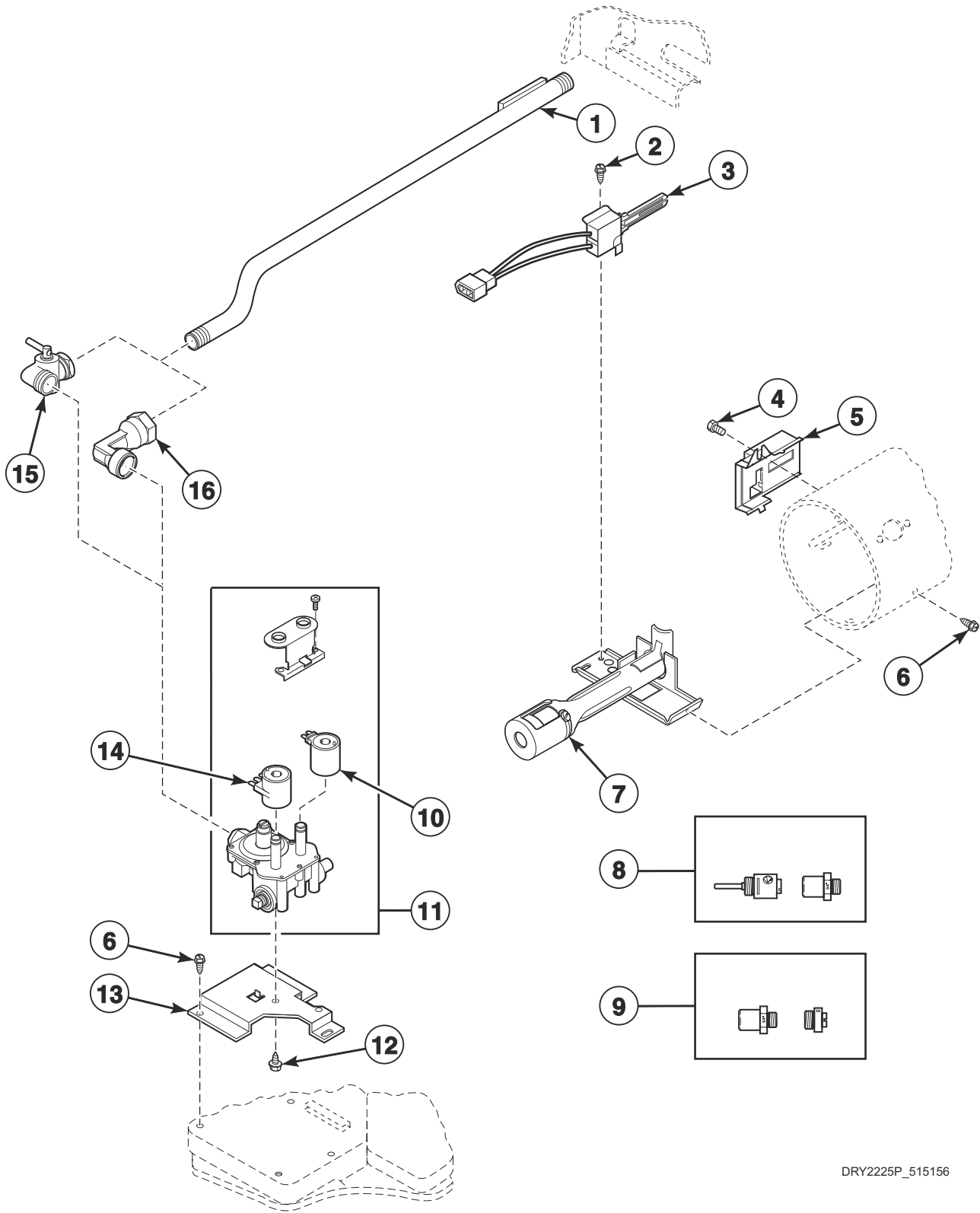
D405P\_515156

# Heater Duct Assembly

REF	PART NO.	DESCRIPTION	COMMENTS
1	D503688	Screw	2 required
2	D510101	Heat Duct Shroud	
3	D500820	Outlet Cover	
	D515573	Outlet Cover	Black
4	D510025P	Heater Duct Assembly	Includes items 1 and 3
5	D510132	Combustion Duct	Models LSLE5AGS303NW22, LSLE5AGW543NW23 and LSLE5AGW543ZW01
	D510131	Combustion Duct	All other models
6	51782	Screw	
7	D510702	Limit Thermostat	Black; Auto reset
8	D510703	Thermostat	Manual reset;

# Gas Valve, Igniter and Gas Conversion Kits

Gas Models

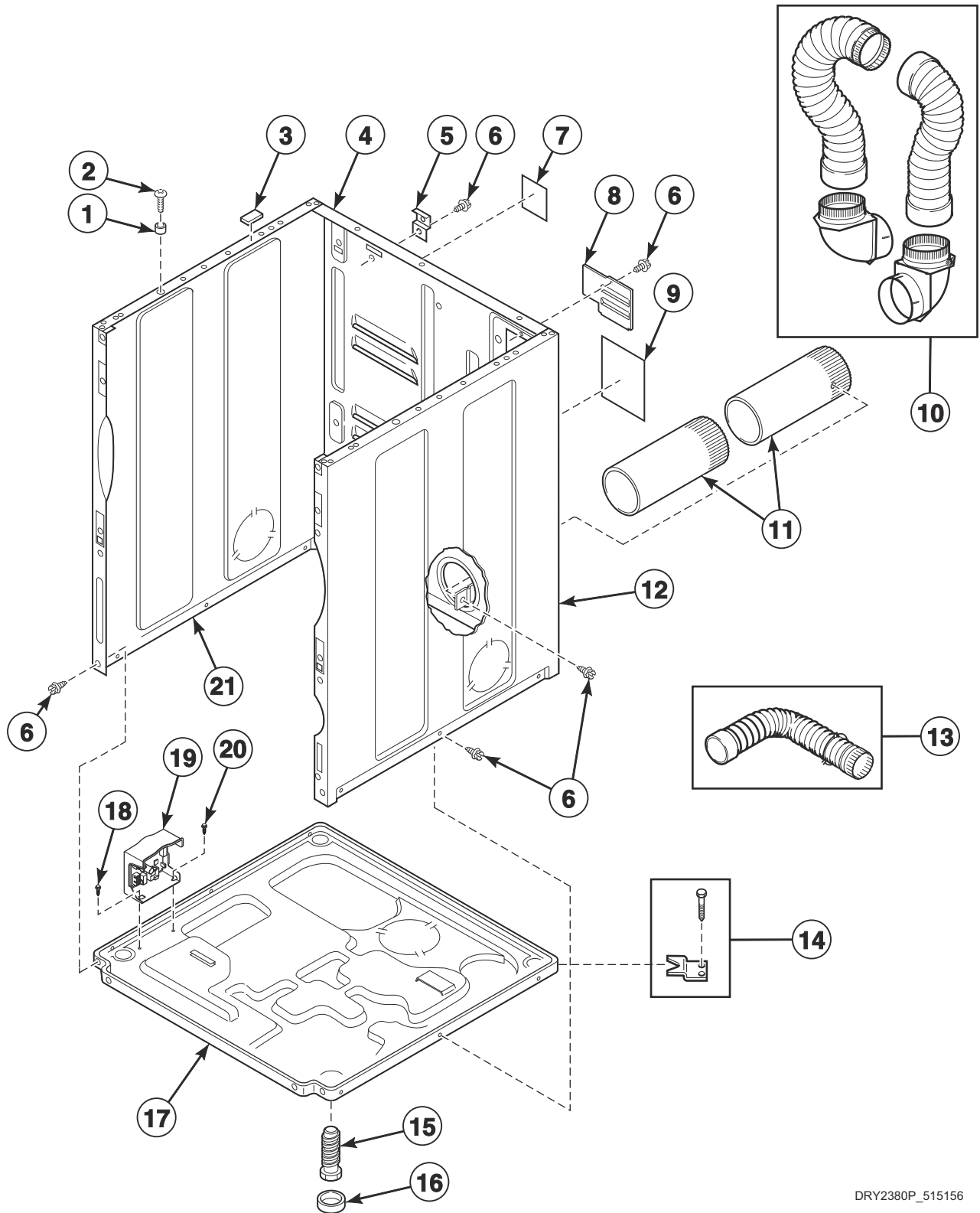


DRY2225P\_515156

## Gas Valve, Igniter and Gas Conversion Kits

REF	PART NO.	DESCRIPTION	COMMENTS
1	D510204	Lead-In Pipe Assembly	
2	51782	Screw	
3	D510184P	Igniter and Bracket Assembly	
4	23222	Screw	
5	D510213	Sensor	
6	D503688	Screw	
7	D510149P	Burner Assembly	
8	649P3	L.P. Conversion Kit	Used to convert dryers from Natural Gas (N.G.) or Mixed Gas to Liquid Petroleum Gas (L.P.); 22,500 Btu
9	650P3	N.G. Conversion Kit	Used to convert dryers from L.P. to N.G. or Mixed Gas; 22,500 Btu
10	58804B	Secondary Coil	
11	D513631	Gas Valve Assembly	Includes items 10 and 14; Models LSLE5AGS303NW22, LSLE5AGW543NW23 and LSLE5AGW543ZW01
	D513630	Gas Valve Assembly	Includes items 10 and 14; Models LDLE5BGS303NW26 and LDLE7RWS303NW26
	D510506P	Gas Valve Assembly	Includes items 10 and 14; All other models
12	56124	Screw	
13	D510128	Gas Valve Mounting Bracket	
14	58804A	Booster and Holding Coil	
15	D510205	Elbow Shut-Off Valve	Models LSLE5AGS303NW22, LSLE5AGW543NW23 and LSLE5AGW543ZW01
16	D513072	Elbow	All models except LSLE5AGS303NW22, LSLE5AGW543NW23 and LSLE5AGW543ZW01

# Cabinet, Exhaust Duct and Base - Single Dryers

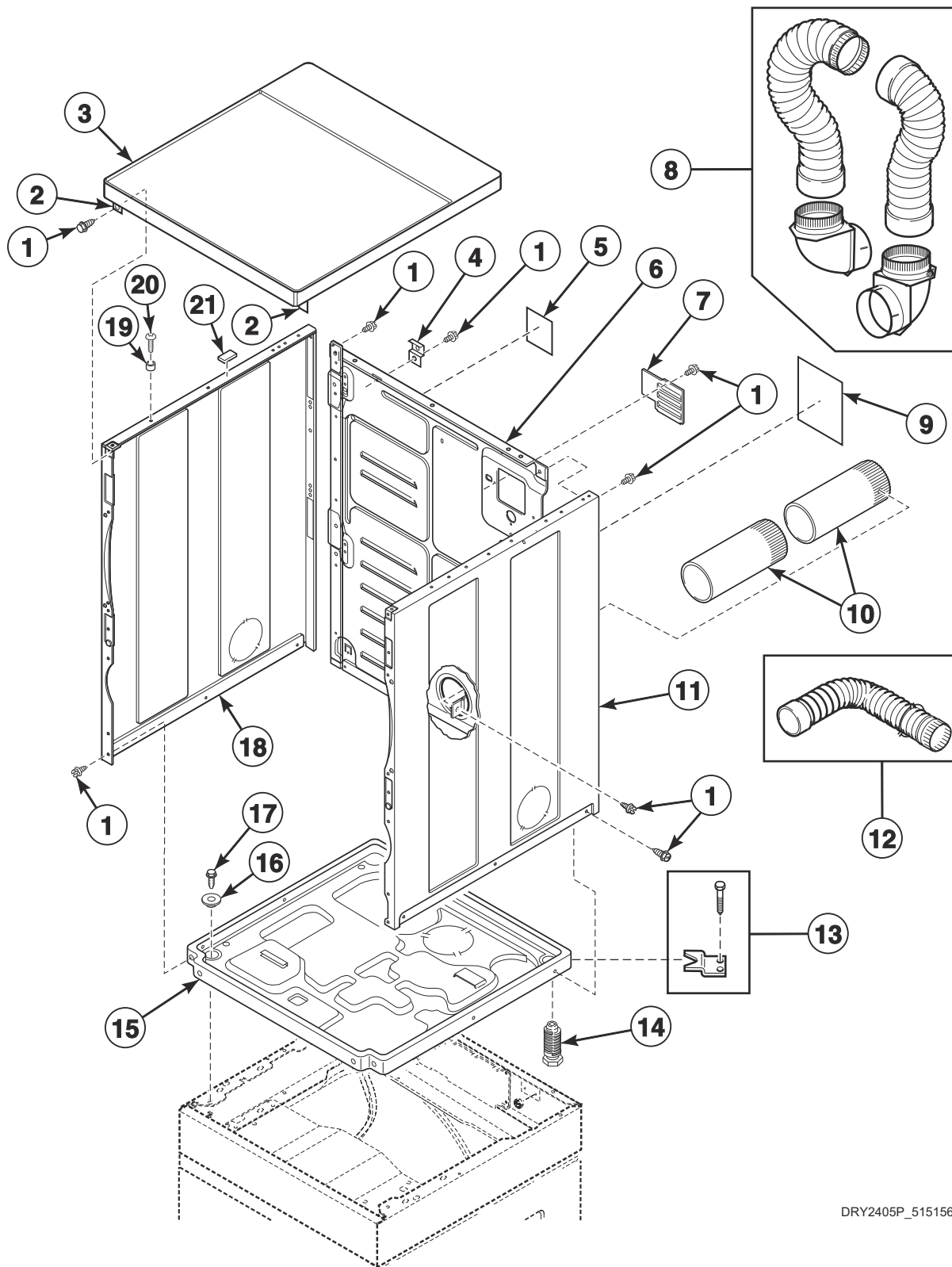


DRY2380P\_515156

## Cabinet, Exhaust Duct and Base - Single Dryers

REF	PART NO.	DESCRIPTION	COMMENTS
	122P4P	Porcelain Touch-Up Paint	White
	370P4P	Porcelain Touch-Up Paint	Bisque
1	56079	Panel Locator	
2	39733	Screw	
3	56128	Bumper Pad	
4	D514632P	Cabinet Rear Panel	
5	D510136	Top Hinge	
6	D503688	Screw	
7	D511004	Gas Clearance Label	Gas models
8	D510903	Access Panel Plate	
9	D505984	Clearance Warning Label	Models BDEE6BGS173CW01, BDGE6BGS113CW01, LDEE5BGS173CW01, LDEE7RGS153CW01, LDEE7RGS173CW01, UDEE5BGS173CW01, UDEE5BGS173CW08, YDEE5BGS173CW01, YDEE7RGS153CW01 and YDEE7RGS173CW01
	D511005	Electric Clearance Label	Models BDEE6BGS173TW01, BDGE6BGS113TW01, LDEE5BGS153TW01, LDEE5BGS173TW01, LDEE7RWS173TW01, LDLE5BGS303NW26, PDEE3BGS173TG01 and PDEE4RGS173TG01
10	521P3	Flexible Venting Kit	
11	D516196	Exhaust Duct	Each dryer requires 2 pieces
12	D510002WP	Cabinet Side Panel	White; Right
	D510002QP	Cabinet Side Panel	Bisque; Right
	D510002DGP	Cabinet Side Panel	Gray; Right
13	528P3	Directional Exhaust Kit	Used to vent dryer out the sides or bottom
14	526P3	Hold Down Kit	For mobile home installations
15	D510135	Leveling Leg	
16	D501855	Rubber Foot	
17	D514245	Dryer Base	
18	D514428	Screw	
19	D517269	Output Control Assembly	Models LDLE5BGS303NW26 and LDLE7RWS303NW26
	D513797P	Output Control Assembly	All other models
20	804667	Screw	
21	D510001WP	Cabinet Side Panel	White; Left
	D510001QP	Cabinet Side Panel	Bisque; Left
	D510001DGP	Cabinet Side Panel	Gray; Left

# Cabinet, Exhaust Duct and Base - Stacked Dryers (Drawing 1 of 2)



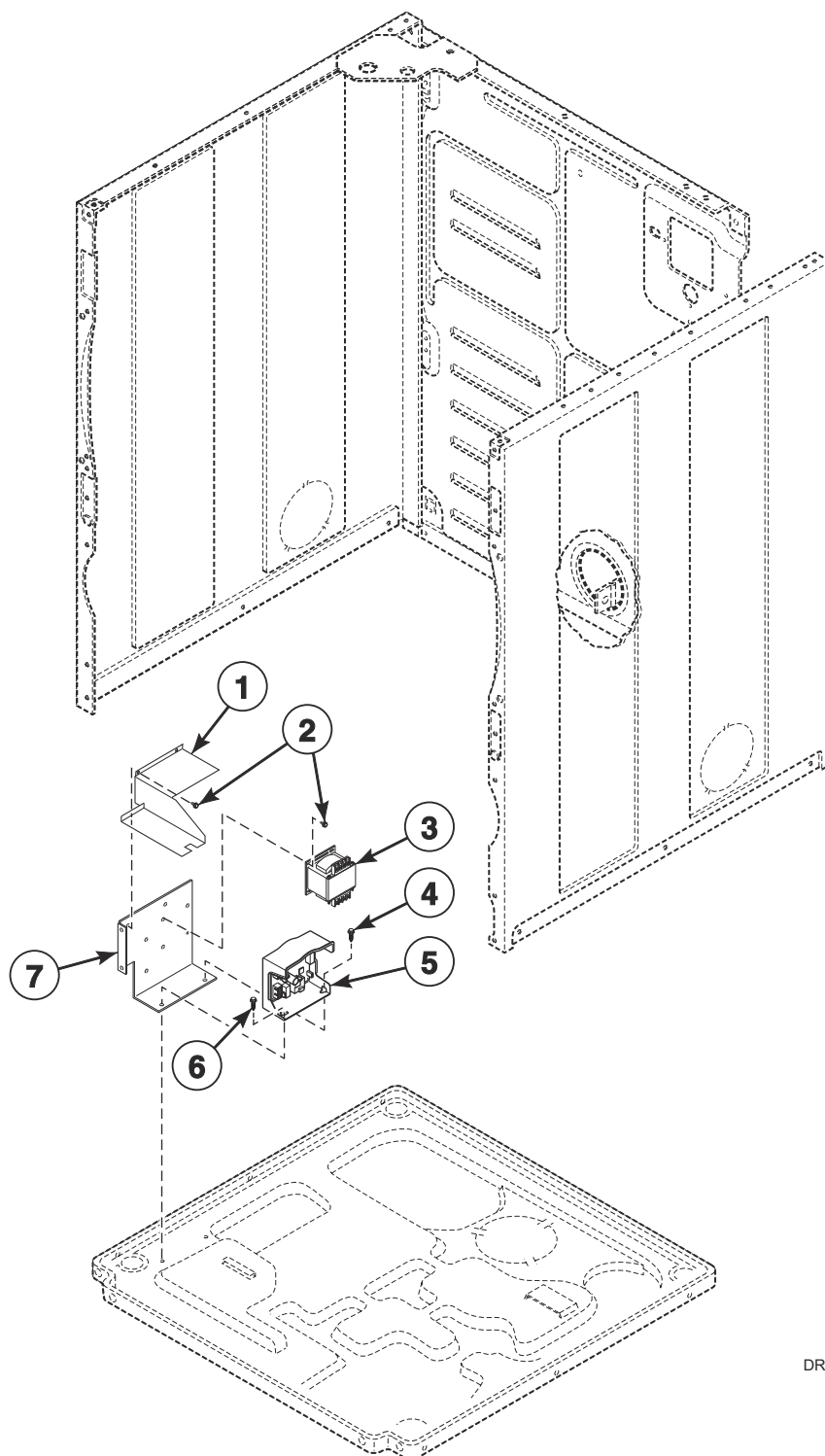
DRY2405P\_515156



# Cabinet, Exhaust Duct and Base - Stacked Dryers (Drawing 1 of 2)

REF	PART NO.	DESCRIPTION	COMMENTS
	122P4P	Porcelain Touch-Up Paint	White
1	D503688	Screw	
2	D510146	Bracket	
3	D510032WP	Top Kit	White
4	D510136	Top Hinge	
5	D511004	Gas Clearance Label	Models LSGA5FGS113TW01, LSGE5AGS113TW01, LSGE5AGW093CW01, LSGE5AGW113TW01 and YSGE5AGS113TW01
6	D514632P	Cabinet Rear Panel	
7	D510903	Access Panel Plate	
8	521P3	Flexible Venting Kit	
9	D511005	Electric Clearance Label	Models LSEA5FGS153TW01, LSEA5FGS153TW04, LSEA5FGS173TW01, LSEA5FGS173TW04, LSEE5AGS153TW01, LSEE5AGS173TW01, LSEE5AGW153TW01, LSEE5AGW173TW01, LSEE5AGW283CW01, LSEE5AGW293CW01, YSEE5AGS153TW01 and YSEE5AGS173TW01
	F8211201	Electrical Shock Label	Models LSLE5AGW543NW23 and LSLE5AGW543ZW01
10	D516196	Exhaust Duct	Each dryer requires 2 pieces
11	D510002WP	Cabinet Side Panel	White; Right
12	528P3	Directional Exhaust Kit	Used to vent dryer out the sides
13	526P3	Hold Down Kit	For mobile home installations
14	D510135	Leveling Leg	
15	D514245	Dryer Base	
16	26509	Washer	
17	36048	Screw	
18	D510001WP	Cabinet Side Panel	White; Left
19	56079	Panel Locator	
20	39733	Screw	
21	56128	Bumper Pad	

# Cabinet, Exhaust Duct and Base - Stacked Dryers (Drawing 2 of 2)



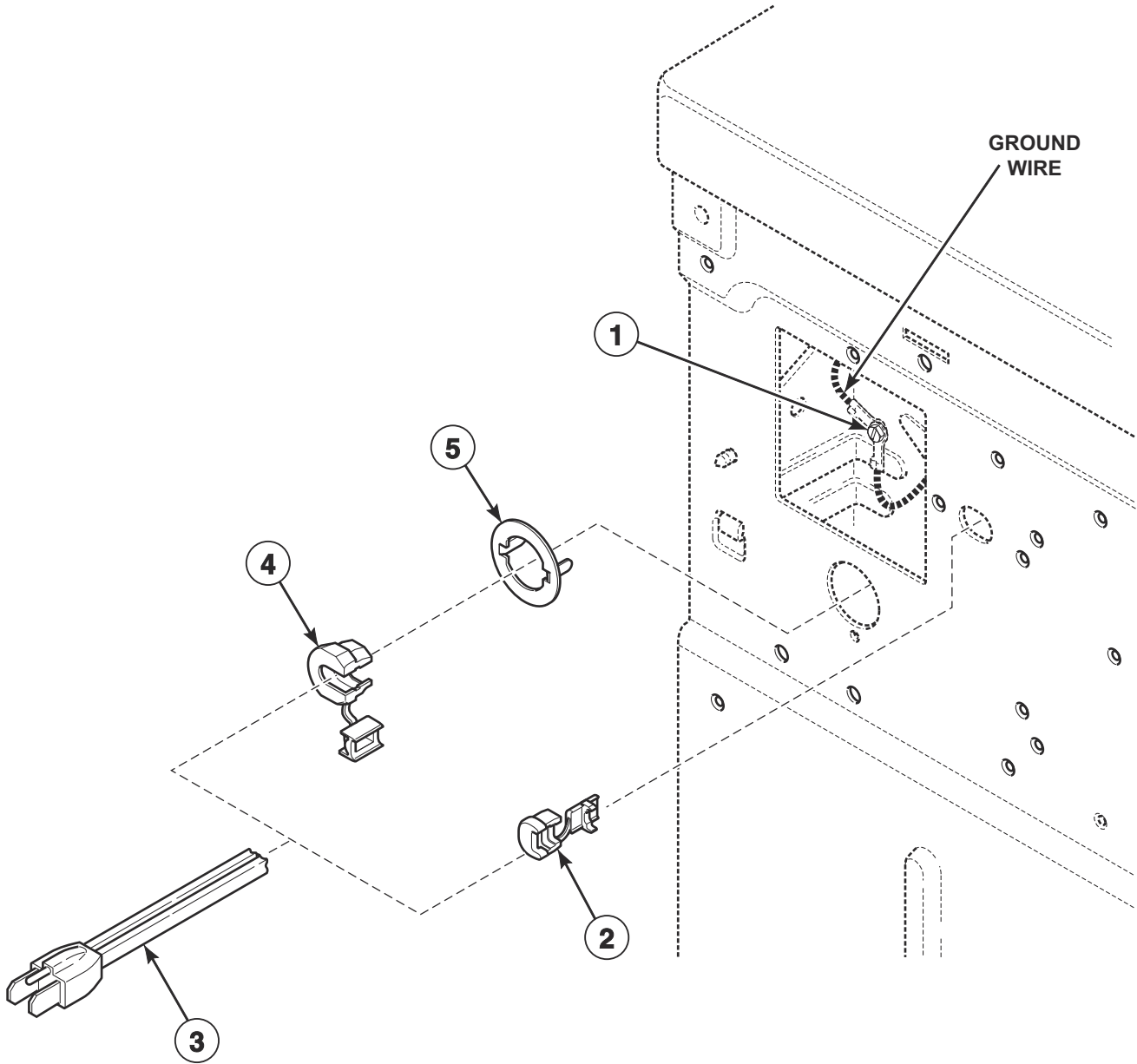
DRY2415P\_515156

## Cabinet, Exhaust Duct and Base - Stacked Dryers (Drawing 2 of 2)

REF	PART NO.	DESCRIPTION	COMMENTS
1	D514334	Transformer Shield	Models LSLE5AGS303NW22, LSLE5AGW543NW23 and LSLE5AGW543ZW01
2	D503688	Screw	
3	D513763P	Transformer	Models LSLE5AGS303NW22, LSLE5AGW543NW23 and LSLE5AGW543ZW01
4	804667	Screw	
5	D517269	Output Control Assembly	Models LSLE5AGS303NW22 and LSLE5AGW543NW23
	D513797P	Output Control Assembly	2 required; All other models
6	D514428	Screw	
7	D511859	Contactoer Bracket	Models LSLE5AGS303NW22, LSLE5AGW543NW23 and LSLE5AGW543ZW01

# Lead-In Cord

Models BDEE6BGS173CW01, BDGE6BGS113CW01, BDGE6BGS113TW01, LDEA5RGS173TW01, LDEA5RGS173TW04, LDEE5BGS173CW01, LDEE7RGS153CW01, LDEE7RGS173CW01, LDGA5RGS113TW01, LDGE5BGS113CW01, LDGE5BGS113TW01, LDGE7RGS113CW01, LDGE7RWS113TQ01, LDGE7RWS113TW01, LDLE7RWS303NW26, LSEE5AGW283CW01, LSEE5AGW293CW01, LSGA5FGS113TW01, LSGE5AGS113TW01, LSGE5AGW093CW01, LSGE5AGW113TW01, LSLE5AGS303NW22, LSLE5AGW543NW23, LSLE5AGW543ZW01, PDGE3BGS113TG01, PDGE4RGS113TG01, UDEE5BGS173CW01, UDEE5BGS173CW08, UDGE5BGS113TW01, YDEE5BGS173CW01, YDEE7RGS153CW01, YDEE7RGS173CW01, YDGE5BGS113CW01, YDGE7RGS113CW01 and YSGE5AGS113TW01



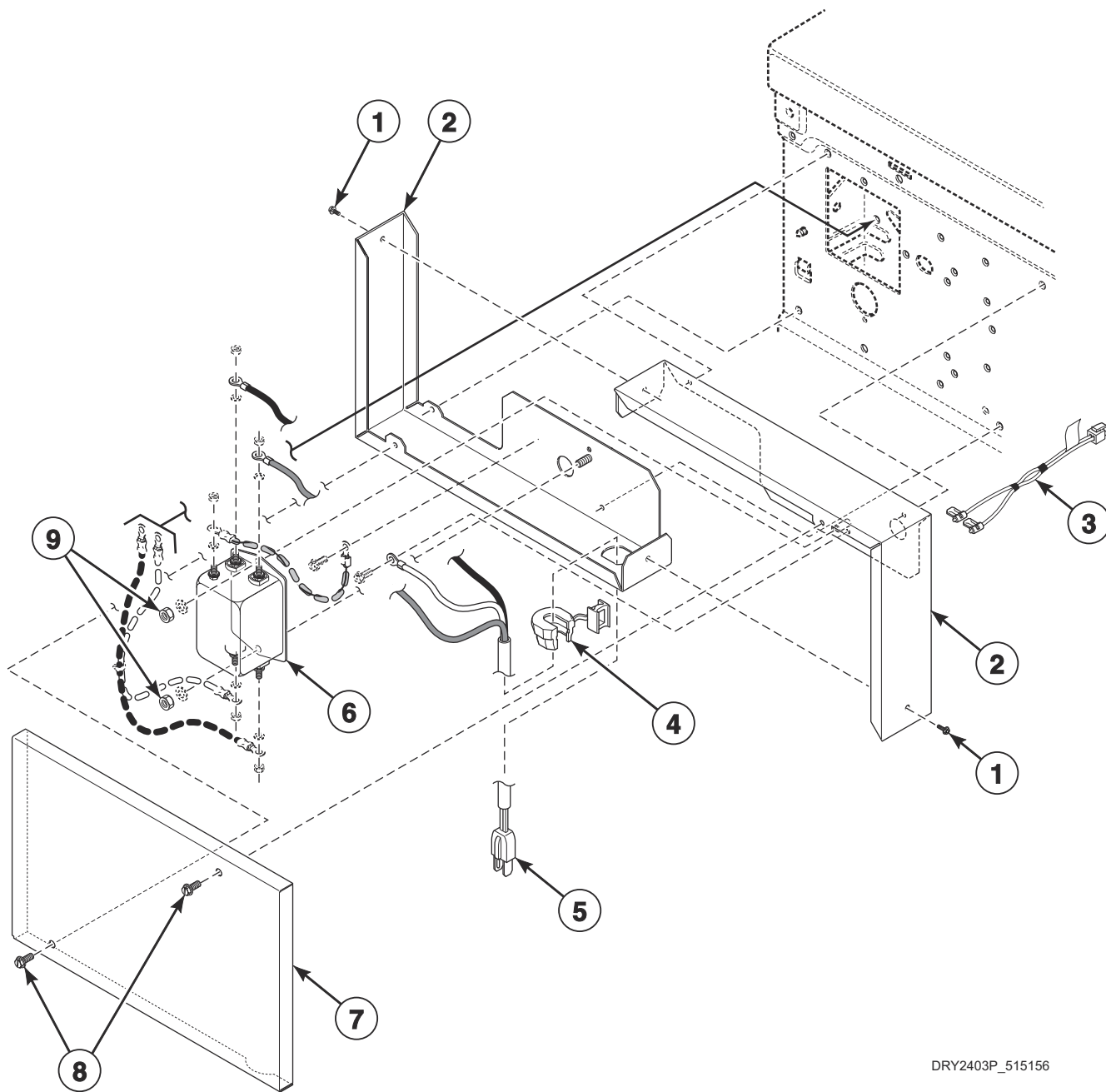
SWD1222P\_515156

# Lead-In Cord

REF	PART NO.	DESCRIPTION	COMMENTS
1	20530	Screw	
2	38384	Strain Relief	Models BDGE6BGS113CW01, BDGE6BGS113TW01, LDEA5RGS173TW01, LDEA5RGS173TW04, LDGA5RGS113TW01, LDGE5BGS113CW01, LDGE5BGS113TW01, LDGE7RGS113CW01, LDGE7RWS113TQ01, LDGE7RWS113TW01, LDLE7RWS303NW26, LSGA5FGS113TW01, LSGE5AGS113TW01, LSGE5AGW093CW01, LSGE5AGW113TW01, PDGE3BGS113TG01, PDGE4RGS113TG01, UDGE5BGS113TW01, YDGE5BGS113CW01, YDGE7RGS113CW01 and YSGE5AGS113TW01
3	203344	Lead-In Cord	Models LSLE5AGS303NW22 and LSLE5AGW543NW23
	D510505P	Lead-In Cord Assembly	Models BDEE6BGS173CW01, LDEE5BGS173CW01, LDEE7RGS153CW01, LDEE7RGS173CW01, LSEE5AGW283CW01, LSEE5AGW293CW01, UDEE5BGS173CW01, UDEE5BGS173CW08, YDEE5BGS173CW01, YDEE7RGS153CW01 and YDEE7RGS173CW01
	202777	Lead-In Cord	All other models
4	60298	Strain Relief	Models LSLE5AGS303NW22 and LSLE5AGW543NW23
5	D502496	Strain Relief Adapter	Models LSLE5AGS303NW22 and LSLE5AGW543NW23

# Power Cord and Junction Box

Models LDLE5BGS303NW26, LDLE7RWS303NW26 and LSLE5AGW543ZW01

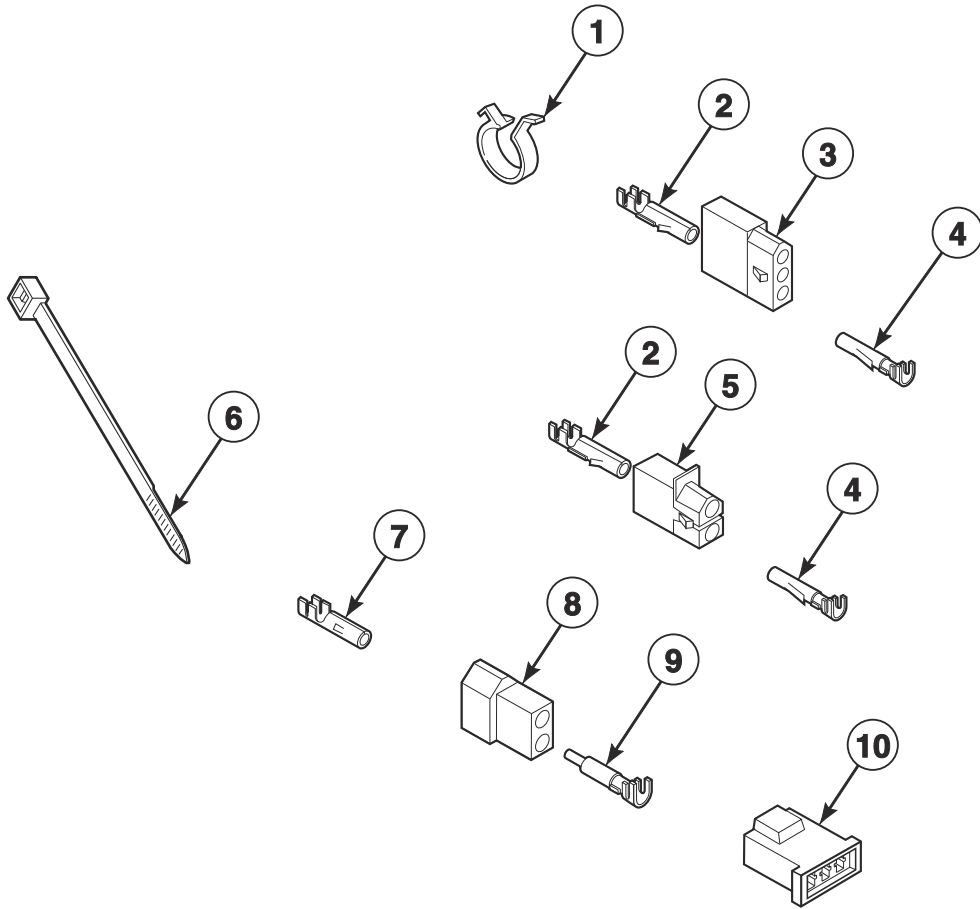


DRY2403P\_515156

## Power Cord and Junction Box

REF	PART NO.	DESCRIPTION	COMMENTS
	20530	Screw	
	D503688	Screw	
	D514379P	Junction Box Seal	2 required
	D514390	Junction Box Assembly	
<b>1</b>	61199	Screw	
<b>2</b>	D516152	Junction Box Assembly	
<b>3</b>	804396	Filter Harness	
<b>4</b>	60298	Strain Relief	
<b>5</b>	203208	Lead-In Cord	Model LSLE5AGW543ZW01
	202925	Lead-In Cord	All other models
<b>6</b>	804864	Line Filter	
<b>7</b>	D514363	Junction Box Cover	
<b>8</b>	D503661	Screw	2 required
<b>9</b>	29787	Nut	2 required

# Terminal Block and Terminals



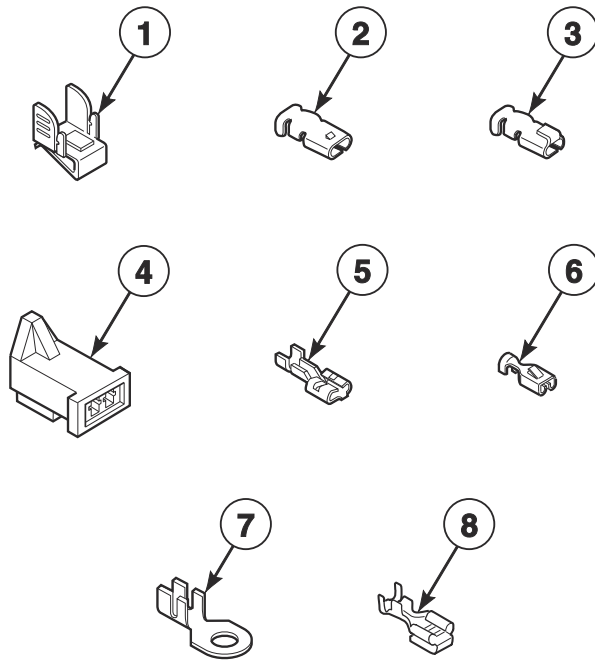
DRY1764P\_515156



## Terminal Block and Terminals

REF	PART NO.	DESCRIPTION	COMMENTS
1	D504034	Wire Clip	11/16 inch
	687500	Wire Clip	1 inch
2	00117	Female Pin Terminal	
	00129	Male Pin Terminal	1/8 inch
3	23039	3 Circuit Receptacle	
4	00116	Male Pin Terminal	
	00128	Female Pin Terminal	1/8 inch
5	56451	2 Circuit Receptacle	
	56855	12 Circuit Receptacle	
6	55881	Harness Strap	
7	00130	Female Pin Terminal	1/8 inch
8	56266	2 Circuit Plug	
9	00127	Male Pin Terminal	1/8 inch
10	58800	3 Circuit Connector	

# Terminals

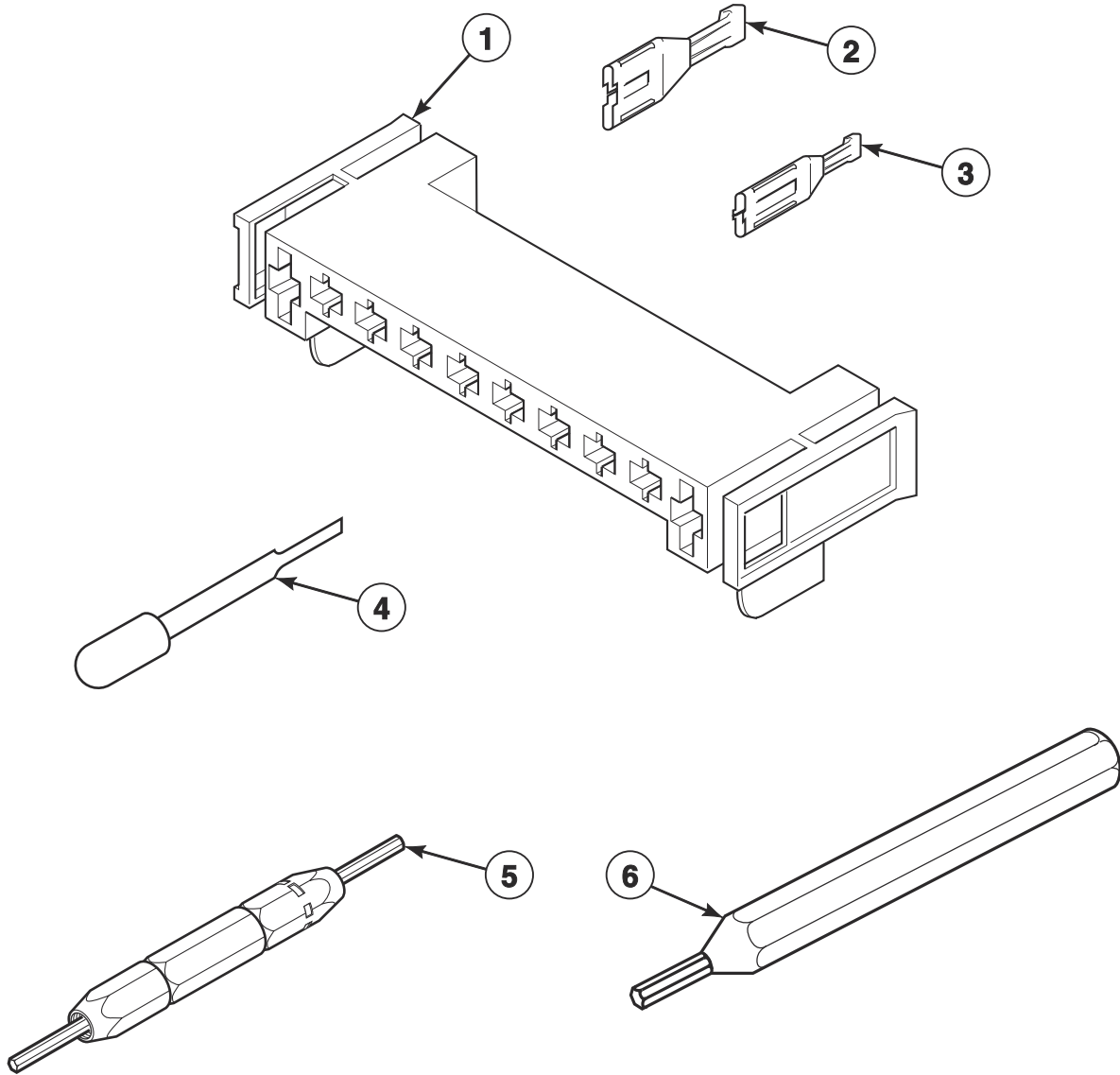


DRY2406P\_515156

# Terminals

REF	PART NO.	DESCRIPTION	COMMENTS
1	00161	Grounding Clip	
2	00189	Female Spade Terminal	1/8 inch
3	00361	Female Piggyback Terminal	
4	58799	2 Circuit Connector	
5	00223	Female Spade Terminal	1/4 inch; (1) 18 gauge wire
	00121	Female Spade Terminal	1/4 inch; (2) 18 gauge wires or (1) 12 gauge wire
6	00321	Female Spade Terminal	1/4 inch; (2) 18 gauge wires or (1) 12 gauge wire
7	00110	Ring Terminal	No. 10; (1) 18 gauge wire
8	00344	Female Tab Terminal	1/4 inch

# Terminals and Terminal Extractor Tools

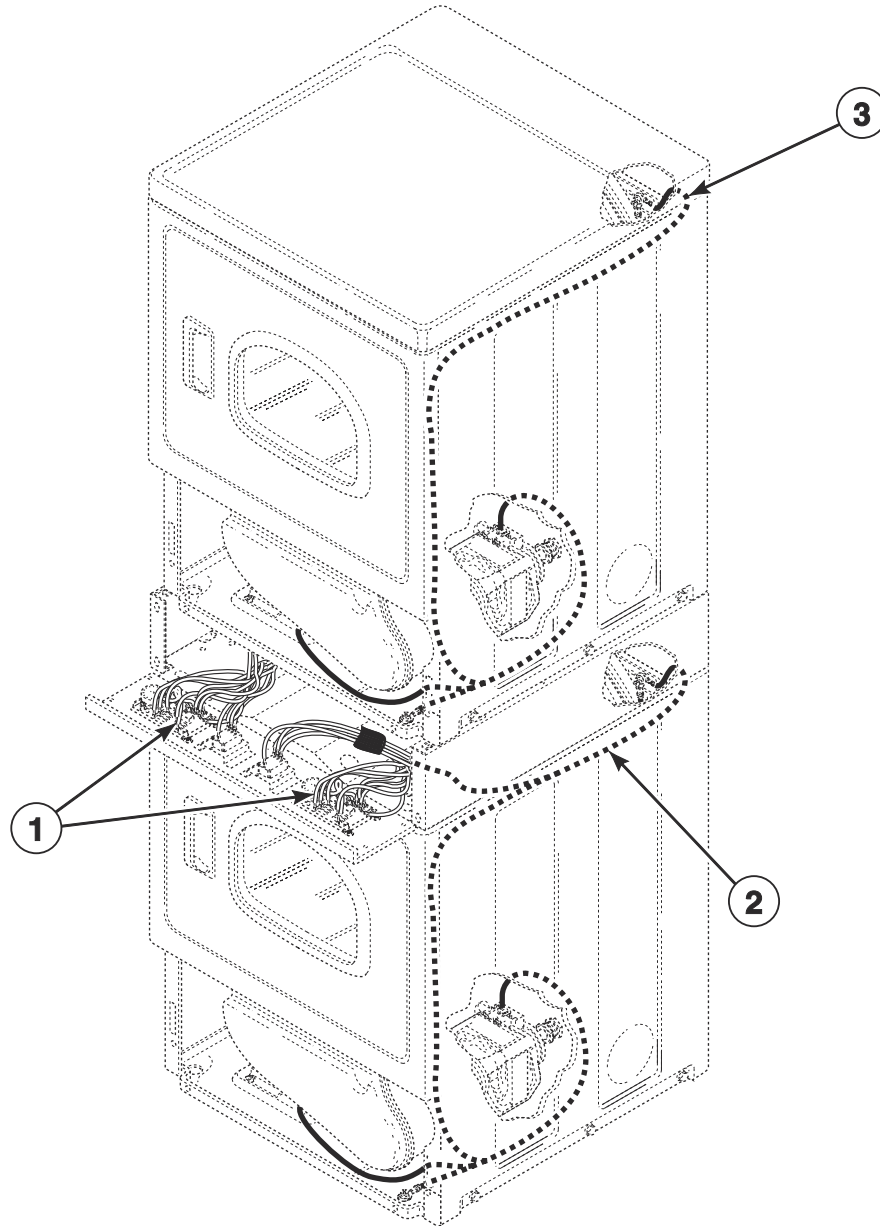


DRY1767P\_515156

## Terminals and Terminal Extractor Tools

REF	PART NO.	DESCRIPTION	COMMENTS
1	D500338	10 Position Housing	
2	00255	Female Terminal	1/4 inch; (1) 12 gauge wire
	00256	Female Terminal	1/4 inch; (1) or (2) 18 gauge wires
3	00188	Female Terminal	For 1 or 2 wire application
4	283P4	Terminal Extractor Tool	For use on Molex connectors
5	190P4	Extractor Tool	For use on electric dryer terminals
6	128P4	Extractor Tool	For use on gas dryer terminals

# Wire Harnesses and Wires - Gas Stack Models



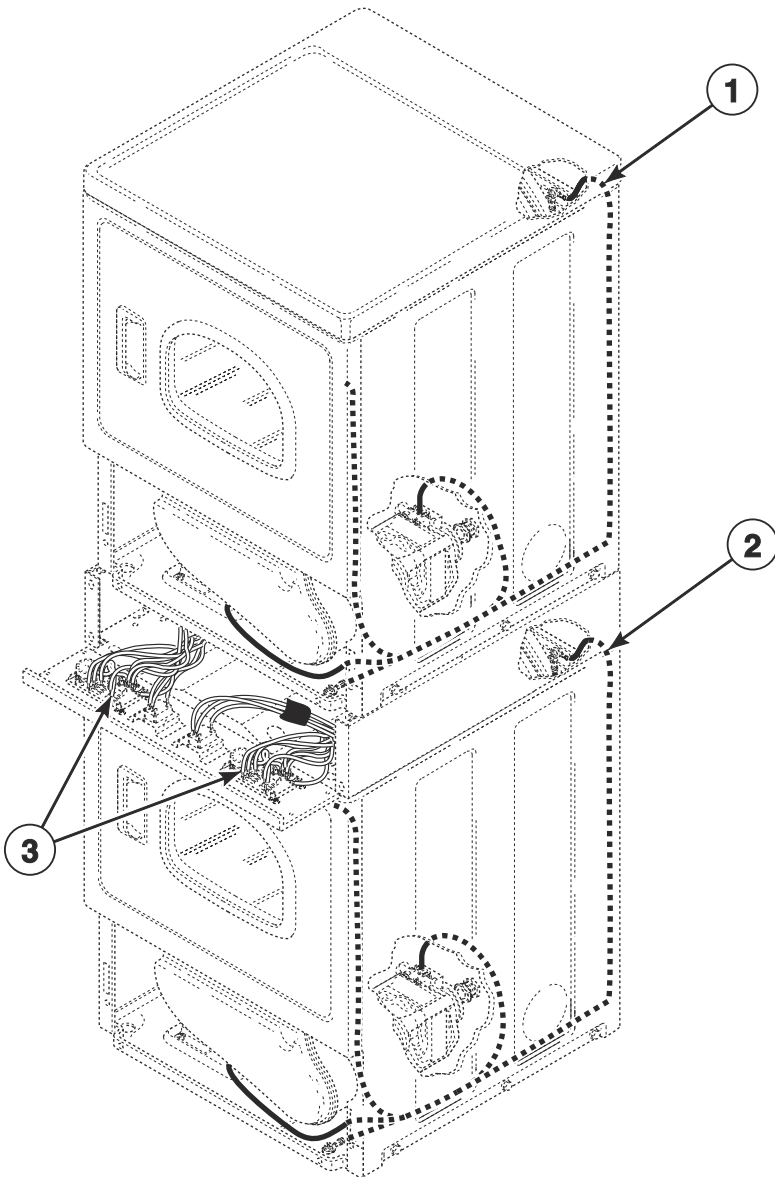
DRY2269P\_515156

## Wire Harnesses and Wires - Gas Stack Models

REF	PART NO.	DESCRIPTION	COMMENTS
	45380	12 Gauge Wire	Orange; Order wire by the foot; Order terminals and connectors as required
	45001	18 Gauge Wire	Black; Order wire by the foot; Order terminals and connectors as required
	D517236	Broken Belt Harness	All models except LSLE5AGS303NW22, LSLE5AGW543NW23 and LSLE5AGW543ZW01 starting Serial No. 1903000001
<b>1</b>	D513991	Security Cabinet Harness	
<b>2</b>	D517095	Gas Harness	Models LSGA5FGS113TW01, LSGE5AGS113TW01, LSGE5AGW093CW01, LSGE5AGW113TW01 and YSGE5AGS113TW01 through Serial No. 1903000001
	D517205	Gas Harness	Models LSGA5FGS113TW01, LSGE5AGS113TW01, LSGE5AGW093CW01, LSGE5AGW113TW01 and YSGE5AGS113TW01 starting Serial No. 1903000001
	D513977	Gas Harness	Models LSLE5AGS303NW22, LSLE5AGW543NW23 and LSLE5AGW543ZW01
<b>3</b>	D517094	Upper Gas Harness	Models LSGA5FGS113TW01, LSGE5AGS113TW01, LSGE5AGW093CW01, LSGE5AGW113TW01 and YSGE5AGS113TW01 through Serial No. 1903000001
	D517203	Upper Harness	Models LSGA5FGS113TW01, LSGE5AGS113TW01, LSGE5AGW093CW01, LSGE5AGW113TW01 and YSGE5AGS113TW01 starting Serial No. 1903000001
	D513975	Upper Gas Harness	Models LSLE5AGS303NW22, LSLE5AGW543NW23 and LSLE5AGW543ZW01

**NOTE: Individual wires are not available separately. Order complete wire harness, or order wire by the foot. When applying terminals to wires, it is recommended that the terminals be soldered to the wires.**

# Wire Harnesses and Wires - Electric Stack Models



DRY2289P\_515156

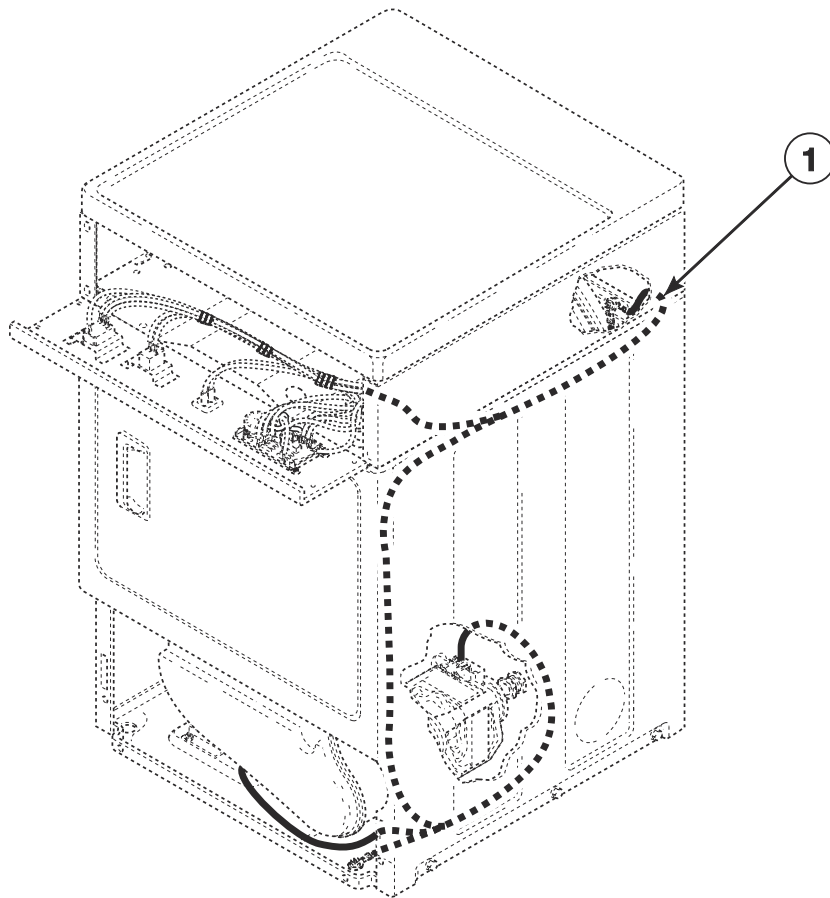


## Wire Harnesses and Wires - Electric Stack Models

REF	PART NO.	DESCRIPTION	COMMENTS
	45380	12 Gauge Wire	Orange; Order wire by the foot; Order terminals and connectors as required
	45001	18 Gauge Wire	Black; Order wire by the foot; Order terminals and connectors as required
	D517236	Broken Belt Harness	Starting Serial No. 1903000001
<b>1</b>	D513968	Upper Electric Harness	Through Serial No. 1903000001
	D517204	Upper Harness	Starting Serial No. 1903000001
<b>2</b>	D513970	Electric Harness	Through Serial No. 1903000001
	D517206	Electric Harness	Starting Serial No. 1903000001
<b>3</b>	D513991	Security Cabinet Harness	

**NOTE: Individual wires are not available separately. Order complete wire harness, or order wire by the foot. When applying terminals to wires, it is recommended that the terminals be soldered to the wires.**

# Wire Harnesses and Wires - Gas Front Control Single Models



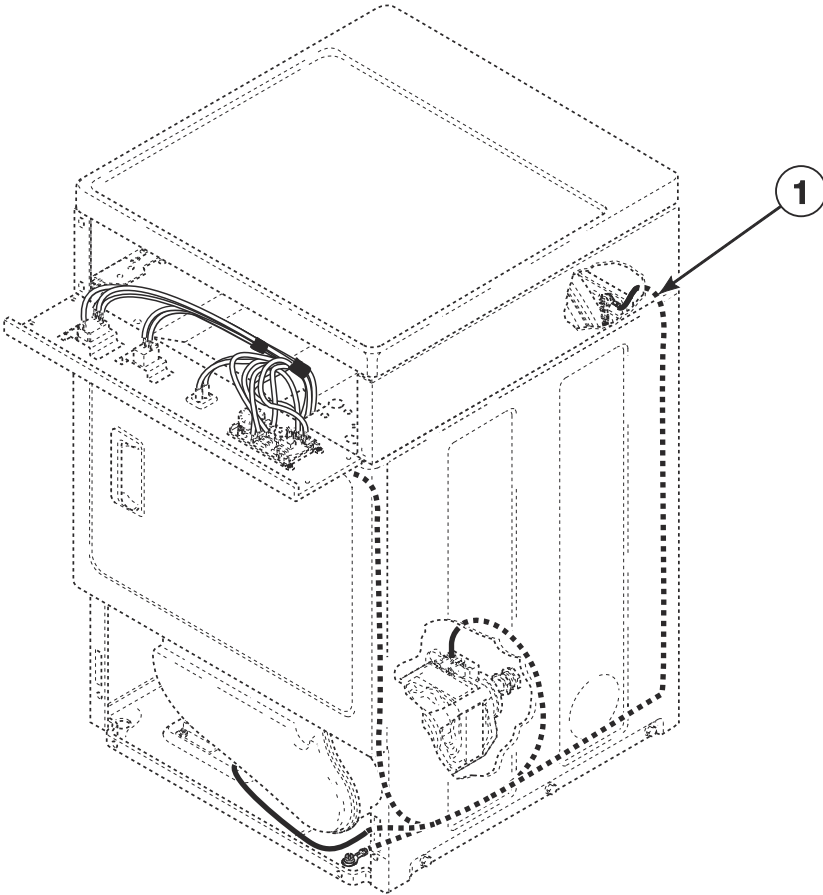
DRY2046P\_515156

## Wire Harnesses and Wires - Gas Front Control Single Models

REF	PART NO.	DESCRIPTION	COMMENTS
	45380	12 Gauge Wire	Orange; Order wire by the foot; Order terminals and connectors as required
	45001	18 Gauge Wire	Black; Order wire by the foot; Order terminals and connectors as required
	D517236	Broken Belt Harness	All models except LDLE5BGS303NW26 starting Serial No. 1903000001
1	D517102	Gas Harness	Model YDGE7RGS113CW01 through Serial No. 1903000001
	D517253	Gas Harness	Model YDGE7RGS113CW01 starting Serial No. 1903000001
	D517095	Gas Harness	Models BDGE6BGS113CW01, BDGE6BGS113TW01, LDGE5BGS113CW01, LDGE5BGS113TW01, PDGE3BGS113TG01, UDGE5BGS113TW01 and YDGE5BGS113CW01 through Serial No.1903000001
	D517205	Gas Harness	Models BDGE6BGS113CW01, BDGE6BGS113TW01, LDGE5BGS113CW01, LDGE5BGS113TW01, PDGE3BGS113TG01, UDGE5BGS113TW01 and YDGE5BGS113CW01 starting Serial No.1903000001
	D513977	Gas Harness	Model LDLE5BGS303NW26

**NOTE: Individual wires are not available separately. Order complete wire harness, or order wire by the foot. When applying terminals to wires, it is recommended that the terminals be soldered to the wires.**

# Wire Harnesses and Wires - Electric Front Control Single Models



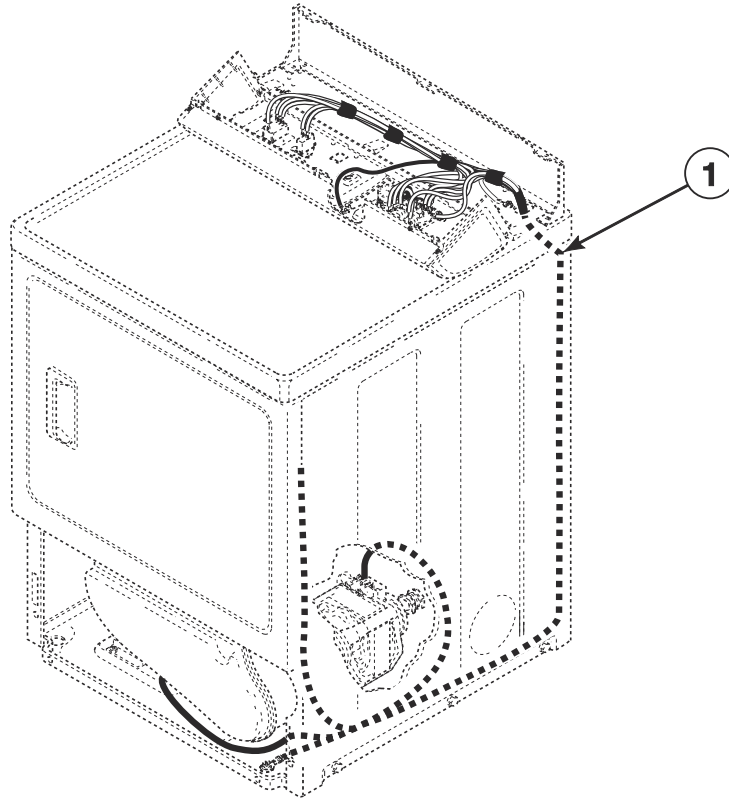
DRY2290P\_515156

## Wire Harnesses and Wires - Electric Front Control Single Models

REF	PART NO.	DESCRIPTION	COMMENTS
	45380	12 Gauge Wire	Orange; Order wire by the foot; Order terminals and connectors as required
	45001	18 Gauge Wire	Black; Order wire by the foot; Order terminals and connectors as required
	D517236	Broken Belt Harness	Starting Serial No. 1903000001
1	D513970	Electric Harness	Through Serial No. 1903000001
	D517206	Electric Harness	Starting Serial No. 1903000001

**NOTE: Individual wires are not available separately. Order complete wire harness, or order wire by the foot. When applying terminals to wires, it is recommended that the terminals be soldered to the wires.**

# Wire Harnesses and Wires - Rear Control Single Models



DRY2268P\_515156

## Wire Harnesses and Wires - Rear Control Single Models

REF	PART NO.	DESCRIPTION	COMMENTS
	45380	12 Gauge Wire	Orange; Order wire by the foot; Order terminals and connectors as required
	45001	18 Gauge Wire	Black; Order wire by the foot; Order terminals and connectors as required
	D517236	Broken Belt Harness	All models except LDLE7RWS303NW26 starting Serial No. 1903000001
1	D517254	Electric Harness	Models LDEA5RGS173TW01, LDEA5RGS173TW04, LDEE7RGS153CW01, LDEE7RGS173CW01, LDEE7RWS173TW01, PDEE4RGS173TG01, YDEE7RGS153CW01 and YDEE7RGS173CW01 through Serial No. 1903000001
	D517220	Electric Harness	Models LDEA5RGS173TW01, LDEA5RGS173TW04, LDEE7RGS153CW01, LDEE7RGS173CW01, LDEE7RWS173TW01, PDEE4RGS173TG01, YDEE7RGS153CW01 and YDEE7RGS173CW01 starting Serial No. 1903000001
	D517102	Gas Harness	Models LDGA5RGS113TW01, LDGE7RGS113CW01, LDGE7RWS113TQ01, LDGE7RWS113TW01, PDGE4RGS113TG01 and YDGE7RGS113CW01 through Serial No. 1903000001
	D517253	Gas Harness	Models LDGA5RGS113TW01, LDGE7RGS113CW01, LDGE7RWS113TQ01, LDGE7RWS113TW01, PDGE4RGS113TG01 and YDGE7RGS113CW01 starting Serial No. 1903000001
	D513987	Gas Harness	Model LDLE7RWS303NW26

**NOTE: Individual wires are not available separately. Order complete wire harness, or order wire by the foot. When applying terminals to wires, it is recommended that the terminals be soldered to the wires.**





# Parts Index

## A

Access Panel Assembly	
D514250DG .....	15
D514250Q .....	15
D514250WP .....	15
Access Panel Plate	
D510903 .....	29, 31
Adhesive	
D511637P .....	19, 21
Air Duct Assembly	
D510151W .....	19
D515805LG .....	19
Anti-Seize Compound	
27604P .....	17

## B

Bar Sensor	
D513737 .....	19
Blower and Fan Kit	
D510717P .....	17
Blower Fan Assembly	
D510139P .....	17
Blower Housing	
D511969WP .....	17
Blower Housing Seal	
D510238P .....	17
Booster and Holding Coil	
58804A .....	27
Bracket	
D510146 .....	31
Broken Belt Harness	
D517236 .....	45, 47, 49, 51, 53
Bumper Pad	
56128 .....	29, 31
Burner Assembly	
D510149P .....	27

## C

Cabinet Rear Panel	
D514632P .....	29, 31
Cabinet Side Panel	
D510001DGP .....	29
D510001QP .....	29
D510001WP .....	29, 31
D510002DGP .....	29
D510002QP .....	29
D510002WP .....	29, 31
Clearance Warning Label	
D505984 .....	29
Combustion Duct	
D510131 .....	25
D510132 .....	25
Connector, 2 Circuit	
58799 .....	41

Connector, 3 Circuit	
58800 .....	39
Contacting Bracket	
D511859 .....	33
Control	
D514566P .....	7
Control Access Panel	
804741 .....	7
804793 .....	7
Control Assembly	
D514121P .....	5, 7
D514565P .....	7, 9
D515430P .....	5
D515505P .....	5
D515506P .....	5
Control Bracket	
804611 .....	7
Control Cabinet	
804639W .....	9
804640W .....	9
Control Overlay	
D514189 .....	5
D514191 .....	5
D514482 .....	7
D514889 .....	9
D514925 .....	7
D515572 .....	9
D515678 .....	5
D515682 .....	7
Control Panel	
803960WP .....	9
806120W .....	9
Control Panel Assembly	
804659W .....	7
804960 .....	7
805005 .....	7
Control Support Panel	
804836 .....	5
Control Wrapper	
804627DG .....	7
804627W .....	7
804630DG .....	7
804630W .....	7
Cylinder Assembly	
D510159WP .....	19
D510265LGP .....	19
D510265WP .....	19
Cylinder Baffle	
D510102LG .....	19
D510102W .....	19
Cylinder Belt	
D511255P .....	17
Cylinder Glide	
D513710 .....	19
Cylinder Glide Bracket	
D510145 .....	19
Cylinder Roller	
D510708P .....	21
Cylinder Roller Bracket	
D510100 .....	21
Cylinder Seal Assembly	
D510207P .....	19, 21

N/A items do not appear in index.

---

**D**

Directional Exhaust Kit 528P3.....	29, 31
Door and Liner Assembly D511636WP.....	11
Door Assembly D516737W.....	11
Door Catch Assembly D510177.....	15
Door Handle Wedge D510129W.....	11, 13
Door Liner Grill D503870LG.....	11
D503870W.....	11
Door Pull D512947.....	13
Door Pull and Wedge Kit D510103QP.....	13
D510103WP.....	11, 13
Door Strike D510181.....	11, 13
Door Strike Mount D510127.....	11, 13
Drip Shield D514327.....	15
Dryer Base D514245.....	29, 31
Dryer Door D510013DG.....	13
D510013QP.....	13
D510013WP.....	13
D510082WP.....	11
Dryer Door Window D503982P.....	11
Drying Rack D512082P.....	19

---

**E**

Elbow D513072.....	27
Elbow Shut-Off Valve D510205.....	27
Electric Clearance Label D511005.....	29, 31
Electric Harness D513970.....	47, 51
D517206.....	47, 51
D517220.....	53
D517254.....	53
Electrical Shock Label F8211201.....	19, 31
End Panel D504006P.....	5
D504007P.....	5
D504008W.....	5
D504009WP.....	5
Exhaust Duct D516196.....	29, 31
Expansion Clip 70030501.....	7, 9

N/A items do not appear in index.

Extractor Tool 128P4.....	43
190P4.....	43

---

**F**

Felt Pad D510189.....	19
Female Piggyback Terminal 00361.....	41
Female Pin Terminal 00117.....	39
00128.....	39
00130.....	39
Female Spade Terminal 00121.....	41
00189.....	41
00223.....	41
00321.....	41
Female Tab Terminal 00344.....	41
Female Terminal 00188.....	43
00255.....	43
00256.....	43
Filter Harness 804396.....	37
Flexible Venting Kit 521P3.....	29, 31
Front Bulkhead D513638.....	19
D513639W.....	19
Front Panel D510066DG.....	15
D510066QP.....	15
D510066WP.....	15
Front Panel Assembly D513781WP.....	15
Front Panel Seal D511056.....	15

---

**G**

Gas Clearance Label D511004.....	29, 31
Gas Harness D513977.....	45, 49
D513987.....	53
D517095.....	45, 49
D517102.....	49, 53
D517205.....	45, 49
D517253.....	49, 53
Gas Valve Assembly D510506P.....	27
D513630.....	27
D513631.....	27
Gas Valve Mounting Bracket D510128.....	27
Glide Kit RB170003.....	19
Graphic Panel 805406.....	5
805448.....	5

805608 .....	5
Grounding Clip 00161 .....	41

## H

Harness Strap 55881 .....	39
Heat Duct Shroud D510101 .....	25
Heater D510325P .....	23
Heater Assembly D510324P .....	23
D510329P .....	23
D510330P .....	23
Heater Duct Assembly D510025P .....	23, 25
Heater Kit 964P3 .....	23
965P3 .....	23
Heater Kit Assembly 61927 .....	23
61928 .....	23
Hinge D511036 .....	11, 13
Hinge Hole Plug D510186 .....	15
Hold Down Kit 526P3 .....	29, 31
Hood Back Panel 804169 .....	5
Housing, 10 Position D500338 .....	43

## I

Idler Lever D516310 .....	17
Idler Lever and Wheel Assembly D516792 .....	17
Idler Spring D510185 .....	17
Idler Wheel and Bearing Assembly D510142P .....	17
Igniter and Bracket Assembly D510184P .....	27

## J

Junction Box Assembly D514390 .....	37
D516152 .....	37
Junction Box Cover D514363 .....	37
Junction Box Seal D514379P .....	37

## L

Lead-In Cord 202777 .....	35
202925 .....	37
203208 .....	37
203344 .....	35
Lead-In Cord Assembly D510505P .....	35
Lead-In Pipe Assembly D510204 .....	27
Leveling Leg D510135 .....	29, 31
Limit Thermostat D510701 .....	23
D510702 .....	25
Line Filter 804864 .....	37
Liner and Seal Assembly D510098W .....	11
Liner Door Seal D510147P .....	11, 13
Liner, Seal and Grill Assembly D510163WP .....	13
D516510WP .....	13
Lint Filter D503980LG .....	19
D503980W .....	19
Lint Filter Cover D510502LG .....	19
D510502W .....	19
L.P. Conversion Kit 649P3 .....	27

## M

Male Pin Terminal 00116 .....	39
00127 .....	39
00129 .....	39
Moisture Sensor Base D513738 .....	19
Motor and Pulley Assembly D505843P .....	17
D505869P .....	17
D511629P .....	17
Motor Hub Ring Kit 590P3 .....	17
Motor Mount D510060 .....	17
Motor Mount Clamp D510180 .....	17
Motor Pulley D500011 .....	17
Motor Shield D514602 .....	17
Motor Switch Bracket D516311 .....	17

N/A items do not appear in index.

---

**N**

Nut	
29787 .....	37
44071201 .....	11
52566 .....	17
56156 .....	17, 21
N.G. Conversion Kit	
650P3 .....	27

---

**O**

Outlet Cover	
D500820 .....	23, 25
D515573 .....	23, 25
Output Control Assembly	
D513797P .....	29, 33
D517269 .....	29, 33
Overlay	
D515082 .....	5

---

**P**

Panel Locator	
56079 .....	15, 29, 31
Pinch Warning Label	
F8615701 .....	19
Plug, 2 Circuit	
56266 .....	39
Pop Rivet	
685847 .....	7
Porcelain Touch-Up Paint	
122P4P .....	29, 31
370P4P .....	29

---

**R**

Rear Access Panel	
803998 .....	9
804614 .....	7
Rear Bulkhead	
D510042W .....	21
Rear Bulkhead Assembly	
D511082P .....	21
Rear Control Cabinet	
804859 .....	9
Rear Wrapper Brace	
805345 .....	7
Receptacle, 12 Circuit	
56855 .....	39
Receptacle, 2 Circuit	
56451 .....	39
Receptacle, 3 Circuit	
23039 .....	39
Retaining Ring	
23748 .....	17, 21
Ring Terminal	
00110 .....	41

---

Roller Kit	
RB170002 .....	21
Rubber Foot	
D501855 .....	29

---

**S**

Screw	
D500226 .....	11, 13, 19
D500824 .....	17
D501086 .....	5
D501285 .....	19
D502535 .....	17
D503661 .....	7, 37
D503688 .....	7, 9, 15, 17, 19, 21, 23, 25, 27, 29, 31, 33, 37
D505870 .....	11
D514428 .....	29, 33
20530 .....	35, 37
23222 .....	23, 27
31260 .....	17
33562 .....	15
36048 .....	31
39733 .....	15, 29, 31
44023301 .....	21
51782 .....	25, 27
52864 .....	19
56124 .....	27
61199 .....	21, 37
62588 .....	19
70240301 .....	7, 9
804608 .....	7
804667 .....	29, 33

Seal Kit	
RB170001 .....	19, 21
Secondary Coil	
58804B .....	27
Security Cabinet Harness	
D513991 .....	45, 47
Sensor	
D510213 .....	27
Shaft	
56461P .....	17, 21
Shield Bracket	
804018 .....	9
Speed Clip	
28835 .....	15
Strain Relief	
38384 .....	35
60298 .....	35, 37
Strain Relief Adapter	
D502496 .....	35
Switch	
D512973 .....	15
D516391 .....	17

---

**T**

Terminal Block Assembly	
D510190P .....	21
Terminal Block Shield	
D510237 .....	21
D514330 .....	21

N/A items do not appear in index.

Terminal Extractor Tool 283P4 .....	43
Thermal Fuse Assembly D511412 .....	23
Thermistor Assembly D502366 .....	17
D510523 .....	17
Thermostat D510703 .....	25
Thermostat Shield D514325 .....	17
Top Cover D505808DG .....	5
D505808W .....	5
Top Hinge D510136 .....	29, 31
Top Kit D510032WP .....	31
Top Panel D510029DG .....	5
804685DG .....	7
804685WP .....	7
Top Panel Brace Assembly 804613 .....	7
Top Panel Guide 803761 .....	7
Top Panel Kit D510029WP .....	5
Transformer D513763P .....	33
Transformer Shield D514334 .....	33

Wire Clip D504034 .....	39
687500 .....	39
Wire, 12 Gauge 45380 .....	45, 47, 49, 51, 53
Wire, 18 Gauge 45001 .....	45, 47, 49, 51, 53
Wrapper Assembly 804112W .....	9

## U

Upper Electric Harness D513968 .....	47
Upper Gas Harness D513975 .....	45
D517094 .....	45
Upper Harness D517203 .....	45
D517204 .....	47

## W

Warning Label 44324001 .....	19
Warning/Caution Label D500281 .....	15
Washer D504082 .....	21
26509 .....	31
52549 .....	17, 21
Window Clip D513958 .....	11
Window Trim D503981W .....	11
Wire Assembly D510527 .....	23
D510528 .....	23

N/A items do not appear in index.

