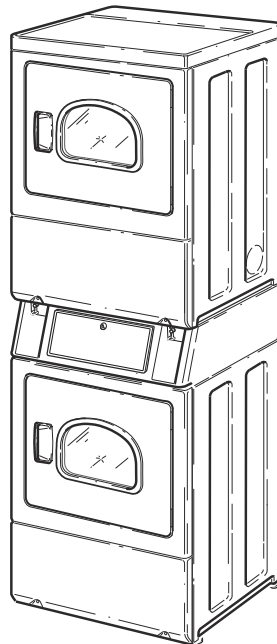


Commercial Dryers

Metered and Nonmetered
Refer to Page 3 for Model Numbers



DRY727C_515206

Table of Contents

Title	Page
Parts Ordering Information.....	2
Serial Plate Location	2
Model Identification	3
Control Panel and Controls.....	4
Non-Electronic Coin Drop	6
Electronic Coin Drop	8
Control Cabinet Controls - Coin Drop Models.....	10
Control Cabinet - Card Reader Ready and Non-Vend Models.....	12
Loading Door with Window	14
Loading Door without Window	16
Access Panel, Front Panel and Seal	18
Motor, Exhaust Fan and Belt (Drawing 1 of 2).....	20
Motor, Exhaust Fan and Belt (Drawing 2 of 2).....	22
Front Bulkhead, Air Duct, Felt Seal and Cylinder	24
Rear Bulkhead, Felt Seal, Cylinder Roller and Terminal Block.....	26
Heater Duct Assembly - 3 Phase Electric Models.....	28
Heater Duct and Element Assembly - 1 Phase Electric Models	30
Heater Duct Assembly - Gas Models.....	32
Gas Valve, Igniter and Gas Conversion Kits - Gas Models	34
Burner Orifice Spuds - For Higher Elevations.....	36
Cabinet, Exhaust Duct and Base	38
Contact and Transformer.....	40
Cabinet Top	42
Power Cord.....	44
Junction Box	46
Junction Box Filter and Harnesses	48
Terminal Block and Terminals	50
Terminals	52
Terminals and Terminal Extractor Tools	54
Wire Harnesses and Wires - Gas Models.....	56
Wire Harnesses and Wires - Electric Models.....	58
Parts Index.....	61

© Copyright 2019, Alliance Laundry Systems LLC

All rights reserved. No part of the contents of this book may be reproduced or transmitted in any form or by any means without the expressed written consent of the publisher.

Parts Ordering Information

If literature or replacement parts are required, contact the source from whom the machine was purchased or contact Alliance Laundry Systems at (920) 748-3950 for the name and address of the nearest authorized parts distributor.

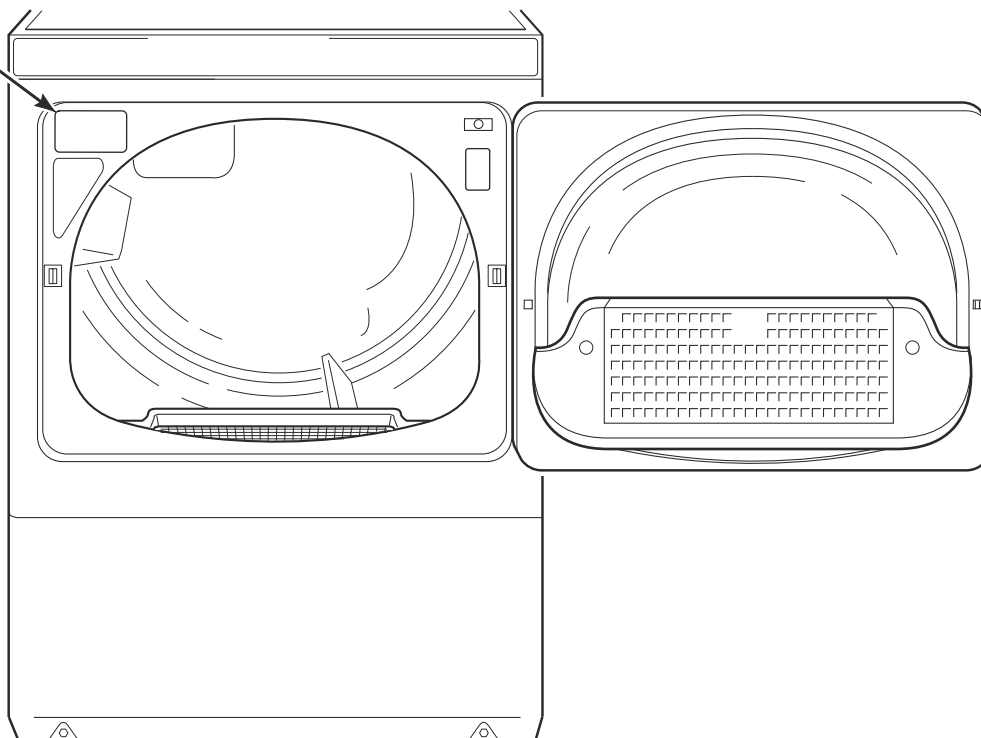
For technical assistance, call the number listed below:

(920) 748-3121 Ripon, Wisconsin

Serial Plate Location

When calling or writing about your product, be sure to mention model and serial numbers. Model and serial numbers are located on serial plate(s) as shown.

SERIAL PLATE



DRY2283P_515206

Model Identification

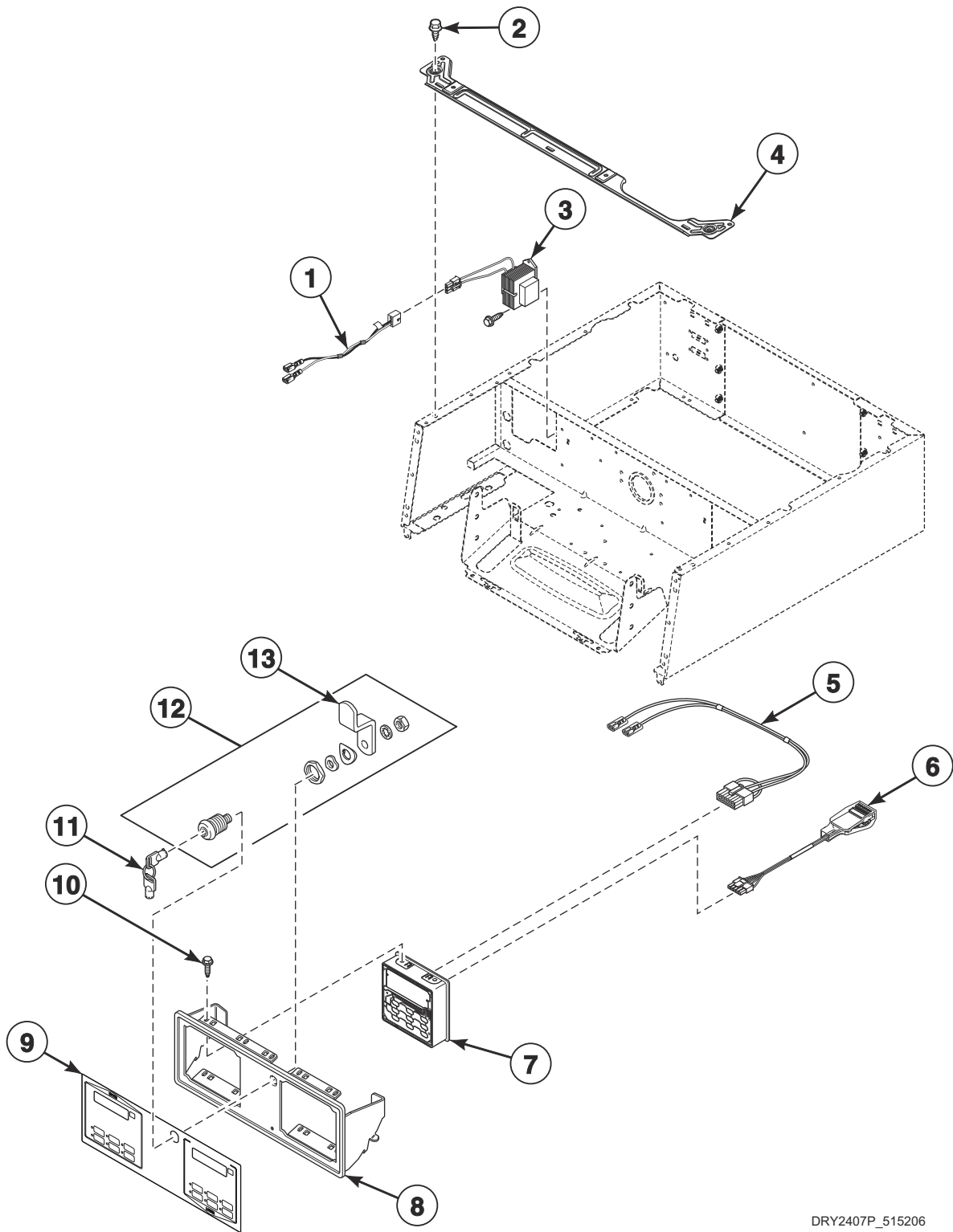
Information in this manual is applicable to these dryer models:

HSENXAGW283CW01
HSENXAGW293CW01
HSENXAGW543DW01
HSENXFGW293CW01
HSENYAGW283CW01
HSENYAGW293CW01
HSENYFGW283CW01
HSGNXAGW093CW01
HSGNXAGW123DW01
HSGNXAGW543DW01
HSGNXFGW093CW01
HSGNYAGW093CW01
HSGNYFGW093CW01

JSEJEAGW303EW01
JSEJGAGW303EW01
JSEJXAGW303EW01
JSGJEAGW303EW01
JSGJGAGW303EW01
JSGJXAGW303EW01
PS3JGAGS403UG01
PS3JXAGS403UG01
PSEJXAGS434AG01
PSGJGAGS303UG01
PSGJGAGS543ZG01
PSGJXAGS303UG01
PSGJXAGS304AG01
PSGJXAGS543ZG01

SSENEAGW283CW01
SSENEAGW293CW01
SSENXAGW283CW01
SSENXAGW293CW01
SSENXAGW433AW01
SSENXAGW543DW01
SSENXFGW293CW01
SSENYAGW283CW01
SSENYAGW293CW01
SSGNEAGW093CW01
SSGNXAGW093CW01
SSGNXFGW093CW01
SSGNXAGW123DW01
SSGNXAGW303AW01
SSGNXAGW543DW01
SSGNYAGW093CW01
SSLNXAGW543NW23
SSLNXAGW543PW01

Control Panel and Controls



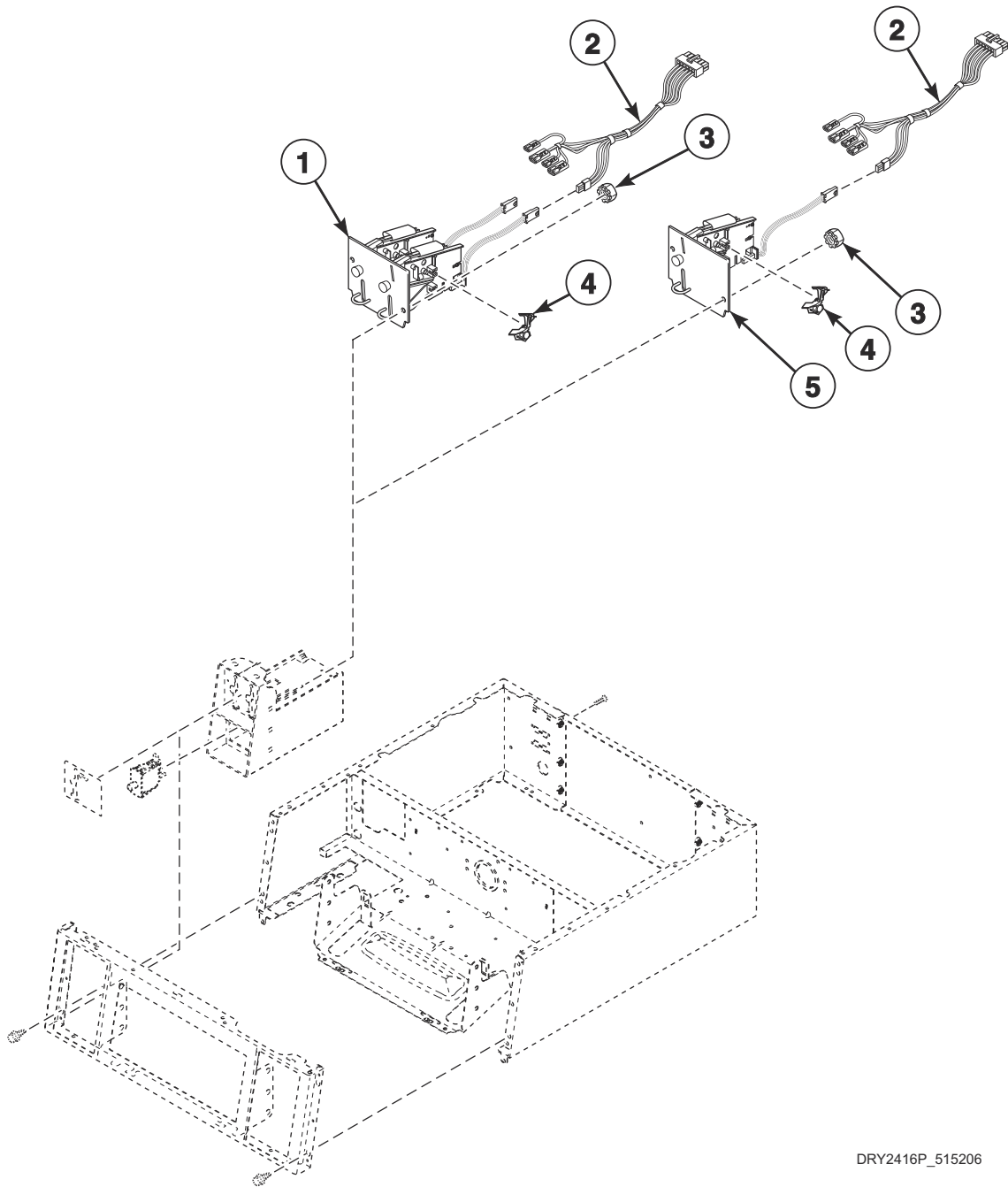
DRY2407P_515206

Control Panel and Controls

REF	PART NO.	DESCRIPTION	COMMENTS
	203889	Wireless Network Kit	Through Serial No. 1902000001
	204689	Wireless Network Kit	Starting Serial No. 1902000001
	203328	Network Retrofit Kit	Wired
	203346	USB IR Interface Kit	
	NK220	Network Controller Kit	Wired
	NK320	Ethernet Gateway Kit	Wireless
	NK330	USB Gateway Kit	Wireless
1	D514069	Transformer Harness	Models JSEJEAGW303EW01, JSEJXAGW303EW01 and PSEJXAGS434AG01
	D514072	Transformer Harness	Models HSENYAGW283CW01, HSENYAGW293CW01, HSGNYFGW093CW01, SSENAGW283CW01, SSENAGW293CW01 and SSGNYAGW093CW01
2	D503688	Screw	
3	202757	Transformer	Models HSENYAGW283CW01, HSENYAGW293CW01, HSENYFGW283CW01, HSGNYAGW093CW01, HSGNYFGW093CW01, SSENAGW283CW01, SSENAGW293CW01 and SSGNYAGW093CW01
	202758	Transformer	Models JSEJEAGW303EW01, JSEJXAGW303EW01, JSGJEAGW303EW01, JSGJXAGW303EW01 and PSEJXAGS434AG01
4	804018	Shield Bracket	
5	202868	Wiring Harness Assembly	Models HSENYAGW283CW01, HSENYAGW293CW01, HSENYFGW283CW01, HSGNYAGW093CW01, HSGNYFGW093CW01, JSEJGAGW303EW01, JSGJGAGW303EW01, PS3JGAGS403UG01, PSGJGAGS303UG01, PSGJGAGS543ZG01, SSENAGW283CW01, SSENAGW293CW01 and SSGNYAGW093CW01
6	203361P	Machine ID Control Assembly	Model or serial number is required when ordering
7	D515809P	Control Assembly	Model PSEJXAGS434AG01
	D515807P	Control Assembly	All other models
8	D513778B	Control Panel and Bracket Assembly	Black; Models JSEJEAGW303EW01, JSEJGAGW303EW01, JSEJXAGW303EW01, JSGJEAGW303EW01, JSGJGAGW303EW01 and JSGJXAGW303EW01
	D513778DG	Control Panel and Bracket Assembly	Gray; Models PS3JGAGS403UG01, PS3JXAGS403UG01, PSEJXAGS434AG01, PSGJGAGS303UG01, PSGJGAGS543ZG01, PSGJXAGS303UG01, PSGJXAGS304AG01 and PSGJXAGS543ZG01
	D510076W	Control Panel and Bracket Assembly	Models HSENXFGW293CW01, HSENYFGW283CW01, HSGNXFGW093CW01 and HSGNYFGW093CW01
	D513778W	Control Panel and Bracket Assembly	White; All other models
9	D514372	Control Overlay	Models HSENXAGW283CW01, HSENXAGW293CW01, HSENXAGW543DW01, HSENYAGW283CW01, HSENYAGW293CW01, HSGNXAGW093CW01, HSGNXAGW123DW01, HSGNXAGW543DW01 and HSGNYAGW093CW01
	D515482	Graphic Overlay	Models HSENXFGW293CW01, HSENYFGW283CW01, HSGNXFGW093CW01 and HSGNYFGW093CW01
	D514663	Graphic Overlay	Models JSEJEAGW303EW01, JSEJXAGW303EW01, JSGJEAGW303EW01, JSGJXAGW303EW01 and PSEJXAGS434AG01
	D514664	Control Overlay	Models JSEJGAGW303EW01 and JSGJGAGW303EW01
	D514927	Control Overlay	Models PS3JXAGS403UG01, PSGJXAGS303UG01, PSGJXAGS304AG01 and PSGJXAGS543ZG01
	D514930	Control Overlay	Models PS3JGAGS403UG01, PSGJGAGS303UG01 and PSGJGAGS543ZG01
	D514481	Control Overlay	Models SSENXFGW293CW01, SSGNXFGW093CW01, SSGNXAGW123DW01, SSGNXAGW543DW01, SSLNXAGW543NW23 and SSLNXAGW543PW01
	D514366	Control Overlay	All other models
10	D501524	Screw	
11	54612	Key	800
12	27260P	Lock Kit	Includes item 13
13	27261	Lock Cam	Models HSENXFGW293CW01, HSENYFGW283CW01, HSGNXFGW093CW01 and HSGNYFGW093CW01
	804338	Lock Cam	All other models

Non-Electronic Coin Drop

Coin Drop Models



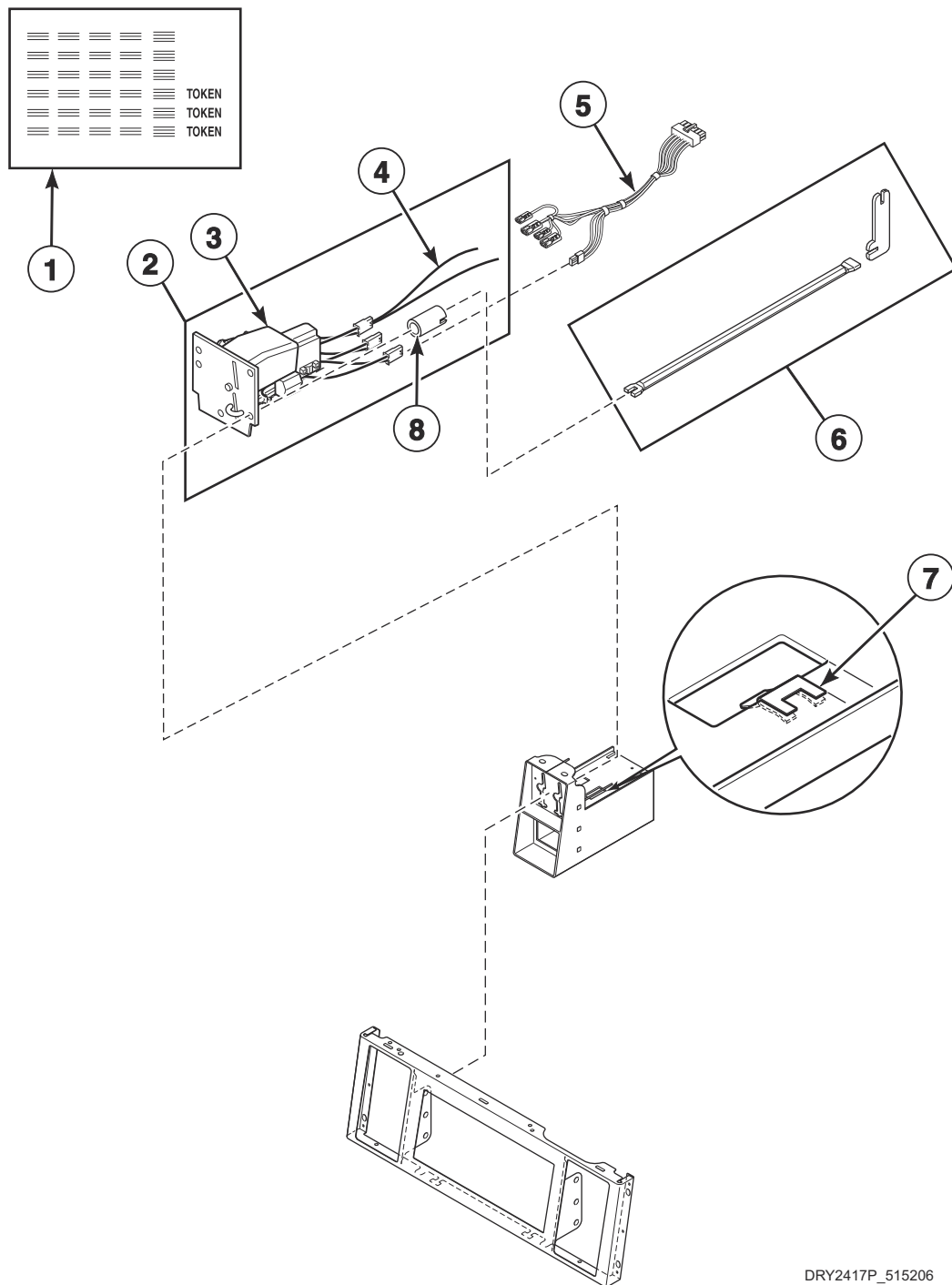
DRY2416P_515206

Non-Electronic Coin Drop

REF	PART NO.	DESCRIPTION	COMMENTS
1	70441602	Coin Drop Assembly	Canada; 0.25 and 1.00
	38467	Coin Drop Assembly	Australia; 0.20 and 1.00
	38472	Coin Drop Assembly	England; 20p and 1 pound
	38519	Coin Drop Assembly	Japan; 100 yen and 500 yen
	38521	Coin Drop Assembly	Korea; 100 won and 500 won
	39157	Coin Drop Assembly	Israel; 1 shekel and 5 shekel
	2	202871	Dual Coin Harness Assembly
3	29786	Nut	
4	201595P	Wire Guard	Anti-stringing security device; Add to coin drops beginning January 2005
5	38462P	Coin Drop Assembly	Token; 118-1 mzp; .880 diameter x .079 thick; Brass
	38463	Coin Drop Assembly	Token; 118-5 mzp; .990 diameter x .081 thick; Silver
	38464P	Coin Drop Assembly	Canada; 0.25
	38475	Coin Drop Assembly	Japan; 100 yen
	CK077	Coin Drop Kit	Taiwan; 10 NT
	70441601P	Coin Drop	USA; \$0.25
	38963P	Coin Drop	Token 118-16 not available; Replacement for 38963P Coin Drop only
	CK114	Coin Drop Assembly	Singapore; Old 1.00
	CK123	Coin Drop Kit	Singapore; New 1.00

Electronic Coin Drop

Coin Drop Models

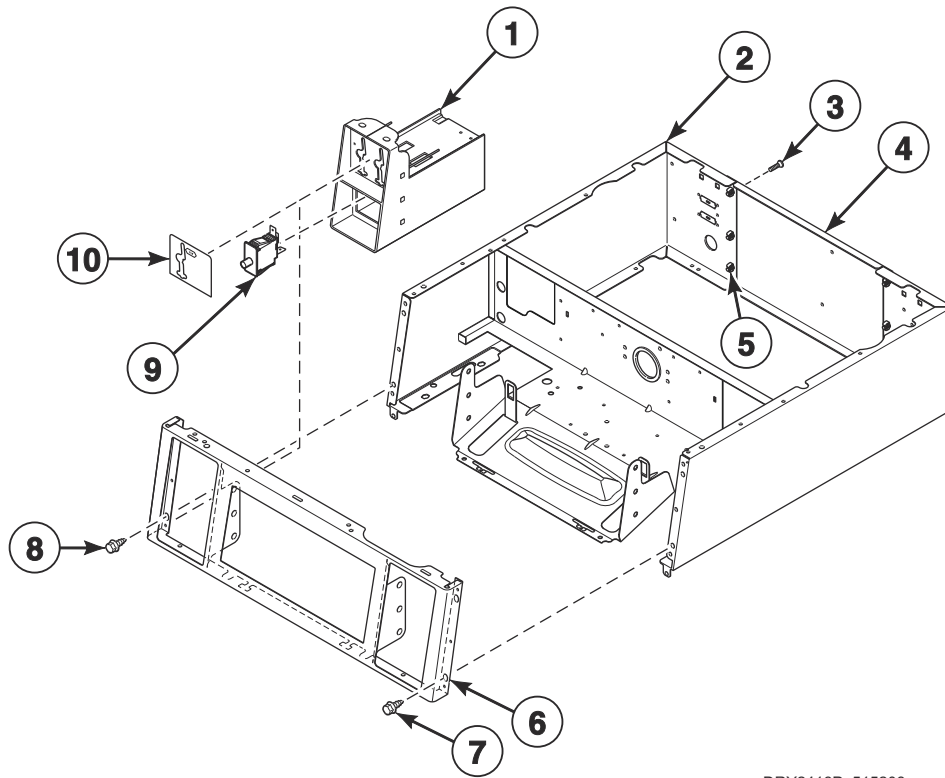


DRY2417P_515206

Electronic Coin Drop

REF	PART NO.	DESCRIPTION	COMMENTS
1	38725	Coin Identification Paper	For use with items 2 and 3
2	CK115	Electronic Coin Drop Kit	Includes items 3-5; United States and Canada
	CK113	Electronic Coin Drop Kit	Includes items 3-5; Japan and Taiwan coins
	CK099	Electronic Coin Drop Kit	Includes items 3-5; Australia, New Zealand, Hong Kong and South Korea coins
	CK100	Electronic Coin Drop Kit	Includes items 3-5; Euro and Great Britain coins
	CK101	Electronic Coin Drop Kit	Includes items 3-5; Euro, Denmark and Norway coins
	CK103	Electronic Coin Drop Kit	Includes items 3-5; Euro, Lithuania and Latvia coins
	CK108	Electronic Coin Drop Kit	Includes items 3-5; South Africa coins
	CK109	Electronic Coin Drop Kit	Includes items 3-5; Euro coins
	CK110	Electronic Coin Drop Kit	Includes items 3-5; Mexico, Ecuador and United States coins
	CK116	Electronic Coin Drop Kit	Includes items 3-5; Malaysia, China and Singapore coins
	CK117	Electronic Coin Drop Kit	Includes items 3-5; Russia coins
	CK118	Electronic Coin Drop Kit	Includes items 3-5; Philippine coins
3	70294103P	Electronic Coin Drop Assembly	Euro and Great Britain coins
	70294104	Electronic Coin Drop Assembly	Euro, Denmark and Norway coins
	70294106	Electronic Coin Drop Assembly	Mexico, Ecuador and United States coins
	70294107	Electronic Coin Drop Assembly	Euro, Lithuania and Latvia coins
	70294110	Electronic Coin Drop Assembly	South Africa coins
	70294111	Electronic Coin Drop Assembly	Euro coins
	70294122	Electronic Coin Drop Assembly	Euro, Great Britain and token coins
	70513311	Electronic Coin Drop Assembly	Malaysia, China and Singapore coins
	70294117	Electronic Coin Drop Assembly	Russia coins
4	201104	Coin Drop Wire Harness	For use with items 2 and 3
5	202871	Dual Coin Harness Assembly	
6	CK096	Mounting Tool Kit	For use with items 2 and 3
7	201572	Clip	For use with items 2 and 3
8	201216	Nut	For use with items 2 and 3

Control Cabinet Controls - Coin Drop Models

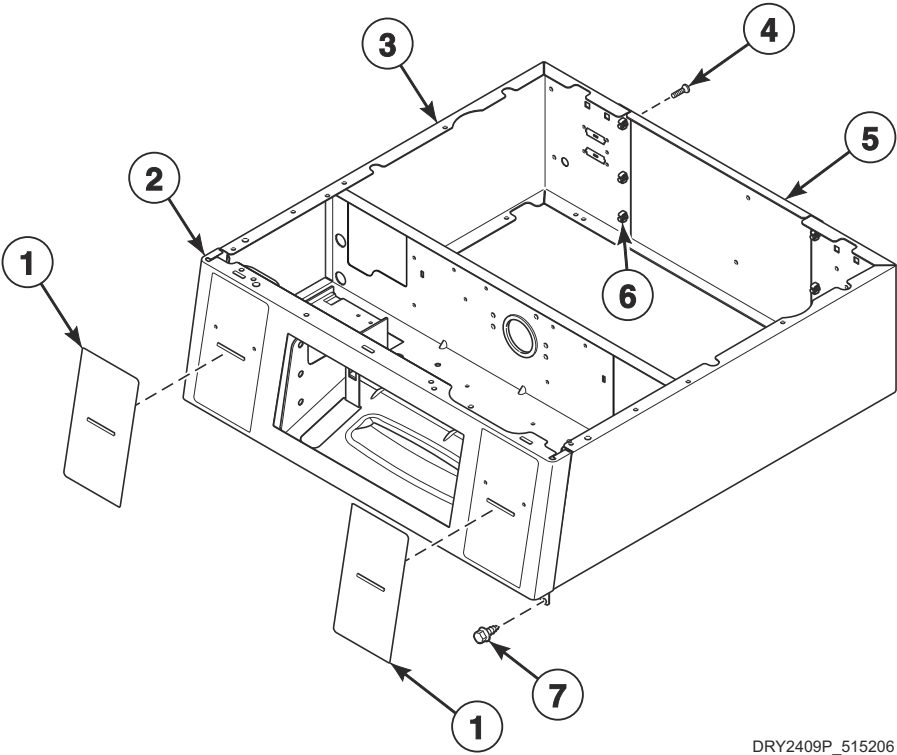


DRY2418P_515206

Control Cabinet Controls - Coin Drop Models

REF	PART NO.	DESCRIPTION	COMMENTS
	44087201	Nut	4 required; Use with item 8
1	807396B	Meter Case Assembly	Black; Requires high capacity coin vault; Models JSEJEAGW303EW01, JSEJXAGW303EW01, JSGJEAGW303EW01 and JSGJXAGW303EW01
	807254DG	Meter Case Assembly	Gray; Requires high capacity coin vault; Models PS3JXAGS403UG01, PSEJXAGS434AG01, PSGJXAGS303UG01 and PSGJXAGS304AG01
	807396W	Meter Case Assembly	White; Requires high capacity coin vault; All other models
2	804104DG	Wrapper Assembly	Gray; Models PS3JXAGS403UG01, PSEJXAGS434AG01, PSGJXAGS303UG01 and PSGJXAGS304AG01
	D505753WP	Wrapper and Channel Assembly	Models HSENXFGW293CW01 and HSGNXFGW093CW01
	804104W	Wrapper Assembly	White; All other models
3	70240301	Screw	6 required
4	803998	Rear Access Panel	
5	70030501	Expansion Clip	6 required
6	803964B	Control Panel	Black; Models JSEJEAGW303EW01, JSEJXAGW303EW01, JSGJEAGW303EW01 and JSGJXAGW303EW01
	803964DG	Control Panel	Model PSEJXAGS434AG01
	805009	Control Panel	Gray; Models PS3JXAGS403UG01, PSGJXAGS303UG01 and PSGJXAGS304AG01
	804964	Control Panel	White; All other models
7	D503688	Screw	
8	29651	Bolt	4 required
9	D512973	Switch	
10	38717	Single Overlay	For use with non-electronic coin drops
	201091	Overlay	For use with electronic coin drops
	39073	Dual Overlay	
	803476	Single Drop Overlay	Models JSEJEAGW303EW01, JSEJXAGW303EW01, JSGJEAGW303EW01, JSGJXAGW303EW01 and PSEJXAGS434AG01

Control Cabinet - Card Reader Ready and Non-Vend Models



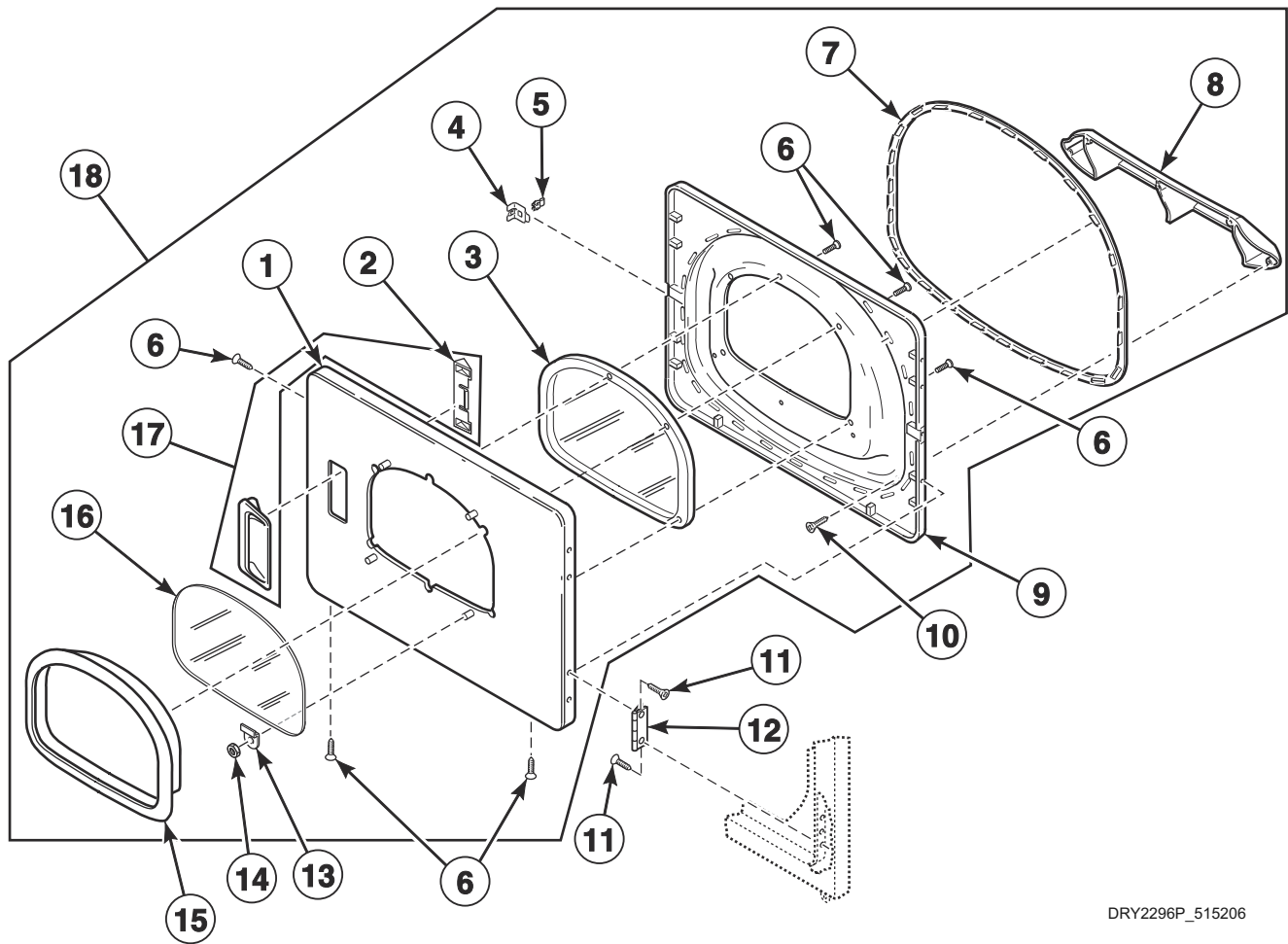
DRY2409P_515206

Control Cabinet - Card Reader Ready and Non-Vend Models

REF	PART NO.	DESCRIPTION	COMMENTS
1	D514873	Overlay	Gray; 2 required; Models HSENYAGW283CW01, HSENYAGW293CW01 and HSGNYAGW093CW01
	D511548	Card Insert Overlay	Gray; 2 required; Models HSENYFGW283CW01 and HSGNYFGW093CW01
	D514391	Card Insert Overlay	Gray; 2 required; Models SSENYAGW283CW01, SSENYAGW293CW01 and SSGNYAGW093CW01
2	804147WP	Security Cabinet Front Assembly	White; Models HSENYAGW283CW01, HSENYAGW293CW01, HSGNYAGW093CW01, SSENYAGW283CW01, SSENYAGW293CW01 and SSGNYAGW093CW01
	D511208W	Security Cabinet Front Assembly	White; Models HSENYFGW283CW01 and HSGNYFGW093CW01
	805545B	Control Panel	Black; Models JSEJGAGW303EW01 and JSGJGAGW303EW01
	805545DG	Control Panel	Gray; Models PS3JGAGS403UG01, PSGJGAGS303UG01 and PSGJGAGS543ZG01
3	804112W	Wrapper Assembly	White; Models HSENYAGW283CW01, HSENYAGW293CW01, HSGNYAGW093CW01, SSENYAGW283CW01, SSENYAGW293CW01 and SSGNYAGW093CW01
	D505753WP	Wrapper and Channel Assembly	White; Models HSENYFGW283CW01 and HSGNYFGW093CW01
	804104W	Wrapper Assembly	White; Models JSEJGAGW303EW01 and JSGJGAGW303EW01
	804104DG	Wrapper Assembly	Gray; Models PS3JGAGS403UG01, PSGJGAGS303UG01 and PSGJGAGS543ZG01
4	70240301	Screw	6 required
5	803998	Rear Access Panel	
6	70030501	Expansion Clip	6 required
7	D503688	Screw	

Loading Door with Window

All Models Except PS3JGAGS403UG01, PS3JXAGS403UG01, PSEJXAGS434AG01, PSGJGAGS303UG01, PSGJGAGS543ZG01, PSGJXAGS303UG01, PSGJXAGS304AG01 and PSGJXAGS543ZG01



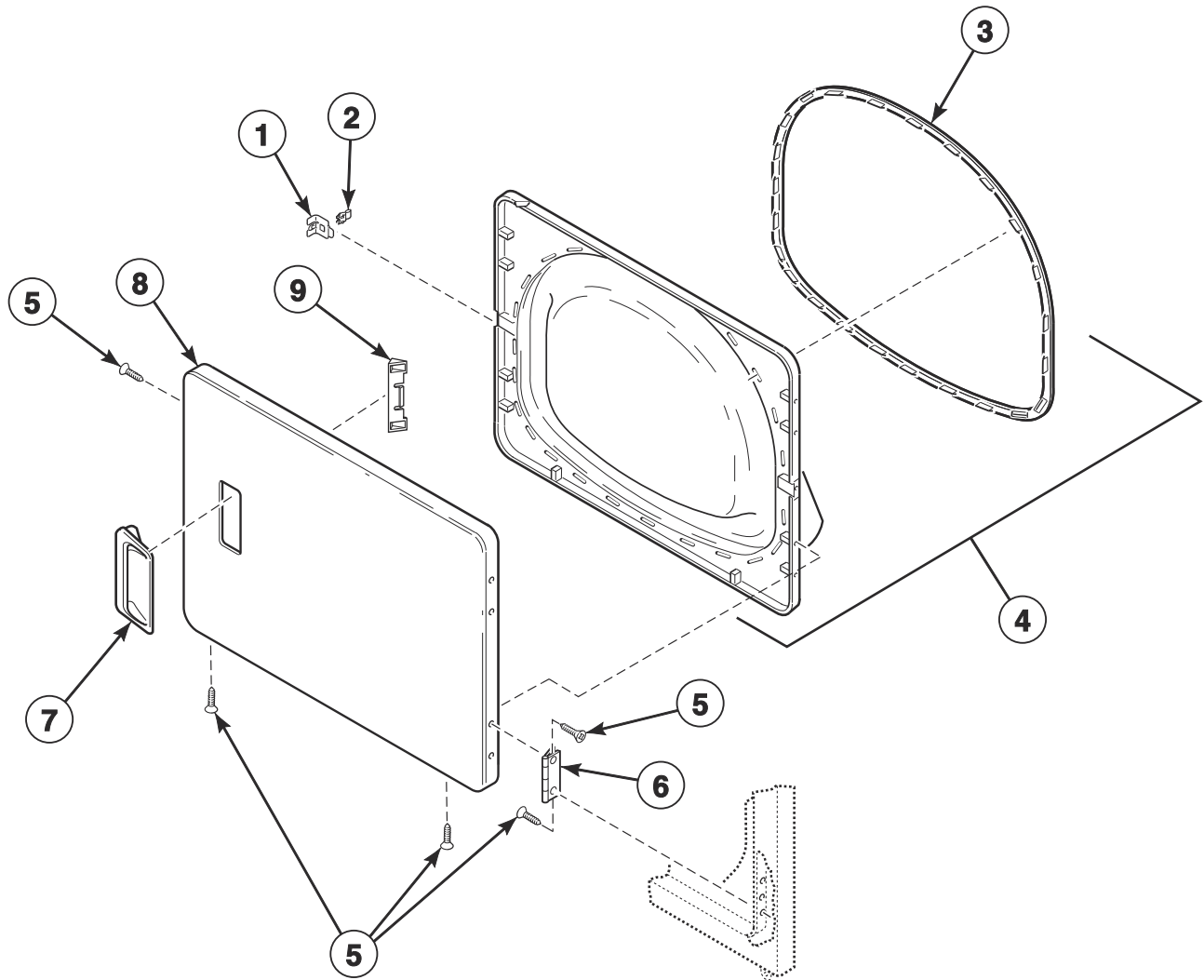
DRY2296P_515206

Loading Door with Window

REF	PART NO.	DESCRIPTION	COMMENTS
1	D516737W	Door Assembly	Models HSENXAGW283CW01, HSENXAGW293CW01, HSENXFGW293CW01, HSENYAGW283CW01, HSENYAGW293CW01, HSENYFGW283CW01, SSENEAGW283CW01, SSENEAGW293CW01, SSENXAGW283CW01, SSENXAGW293CW01, SSENXFGW293CW01, SSENYAGW283CW01 and SSENYAGW293CW01
	D510082WP	Dryer Door	All other models
2	D510103WP	Door Pull and Wedge Kit	Models HSENXAGW283CW01, HSENXAGW293CW01, HSENXFGW293CW01, HSENYAGW283CW01, HSENYAGW293CW01, HSENYFGW283CW01, SSENEAGW283CW01, SSENEAGW293CW01, SSENXAGW283CW01, SSENXAGW293CW01, SSENXFGW293CW01, SSENYAGW283CW01 and SSENYAGW293CW01
	D510129W	Door Handle Wedge	All other models
3	D503982P	Dryer Door Window	
4	D510127	Door Strike Mount	
5	D510181	Door Strike	
6	D500226	Screw	
7	D510147P	Liner Door Seal	
8	D503870LG	Door Liner Grill	Models HSENXAGW283CW01, HSENXAGW293CW01, HSENXFGW293CW01, HSENYAGW283CW01, HSENYAGW293CW01, HSENYFGW283CW01, SSENEAGW283CW01, SSENEAGW293CW01, SSENXAGW283CW01, SSENXAGW293CW01, SSENXFGW293CW01, SSENYAGW283CW01 and SSENYAGW293CW01
	D503870W	Door Liner Grill	All other models
9	D516737W	Door Assembly	Models HSENXAGW283CW01, HSENXAGW293CW01, HSENXFGW293CW01, HSENYAGW283CW01, HSENYAGW293CW01, HSENYFGW283CW01, SSENEAGW283CW01, SSENEAGW293CW01, SSENXAGW283CW01, SSENXAGW293CW01, SSENXFGW293CW01, SSENYAGW283CW01 and SSENYAGW293CW01
	D510098W	Liner and Seal Assembly	All other models
10	D505870	Screw	
11	D505295	Screw	
12	D511036	Hinge	
13	D513958	Window Clip	Models HSENXAGW283CW01, HSENXAGW293CW01, HSENXFGW293CW01, HSENYAGW283CW01, HSENYAGW293CW01, HSENYFGW283CW01, SSENEAGW283CW01, SSENEAGW293CW01, SSENXAGW283CW01, SSENXAGW293CW01, SSENXFGW293CW01, SSENYAGW283CW01 and SSENYAGW293CW01
14	44071201	Nut	Models HSENXAGW283CW01, HSENXAGW293CW01, HSENXFGW293CW01, HSENYAGW283CW01, HSENYAGW293CW01, HSENYFGW283CW01, SSENEAGW283CW01, SSENEAGW293CW01, SSENXAGW283CW01, SSENXAGW293CW01, SSENXFGW293CW01, SSENYAGW283CW01 and SSENYAGW293CW01
15	D516737W	Door Assembly	Models HSENXAGW283CW01, HSENXAGW293CW01, HSENXFGW293CW01, HSENYAGW283CW01, HSENYAGW293CW01, HSENYFGW283CW01, SSENEAGW283CW01, SSENEAGW293CW01, SSENXAGW283CW01, SSENXAGW293CW01, SSENXFGW293CW01, SSENYAGW283CW01 and SSENYAGW293CW01
	D503981W	Window Trim	All other models
16	D516737W	Door Assembly	Models HSENXAGW283CW01, HSENXAGW293CW01, HSENXFGW293CW01, HSENYAGW283CW01, HSENYAGW293CW01, HSENYFGW283CW01, SSENEAGW283CW01, SSENEAGW293CW01, SSENXAGW283CW01, SSENXAGW293CW01, SSENXFGW293CW01, SSENYAGW283CW01 and SSENYAGW293CW01
17	D510103WP	Door Pull and Wedge Kit	Includes item 2
18	D511636WP	Door and Liner Assembly	Includes items 1-10, 13 and 14; Models HSENXAGW283CW01, HSENXAGW293CW01, HSENXFGW293CW01, HSENYAGW283CW01, HSENYAGW293CW01, HSENYFGW283CW01, SSENEAGW283CW01, SSENEAGW293CW01, SSENXAGW283CW01, SSENXAGW293CW01, SSENXFGW293CW01, SSENYAGW283CW01 and SSENYAGW293CW01

Loading Door without Window

Models PS3JGAGS403UG01, PS3JXAGS403UG01, PSEJXAGS434AG01, PSGJGAGS303UG01, PSGJGAGS543ZG01, PSGJXAGS303UG01, PSGJXAGS304AG01 and PSGJXAGS543ZG01

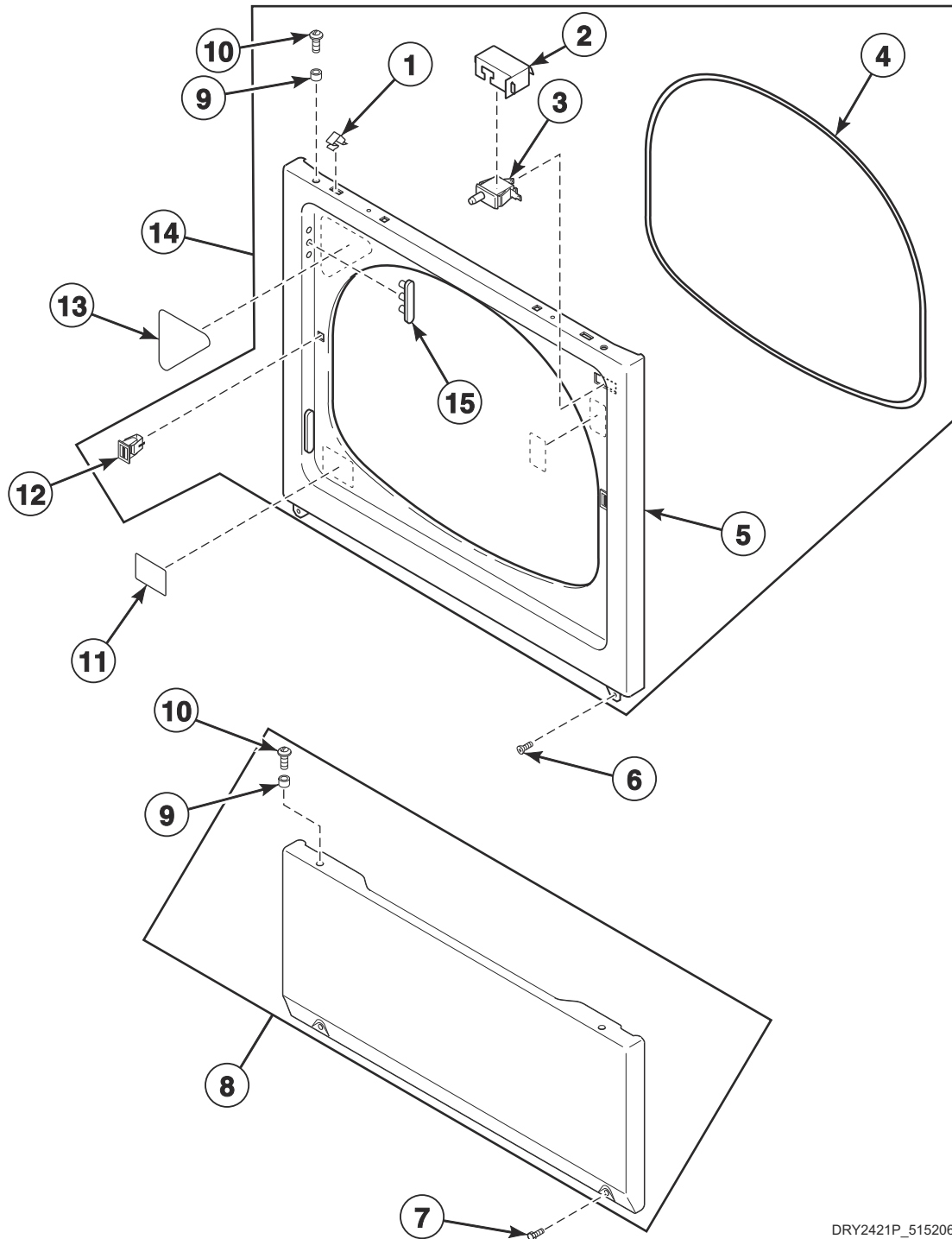


DRY1857P_515206

Loading Door without Window

REF	PART NO.	DESCRIPTION	COMMENTS
1	D510127	Door Strike Mount	
2	D510181	Door Strike	
3	D510147P	Liner Door Seal	
4	D510163WP	Liner, Seal and Grill Assembly	White; Includes item 3
5	D505295	Screw	
6	D511036	Hinge	
7	D512947	Door Pull	Light gray
8	D510013DG	Dryer Door	Dark gray; Includes item 9
9	D510129W	Door Handle Wedge	

Access Panel, Front Panel and Seal

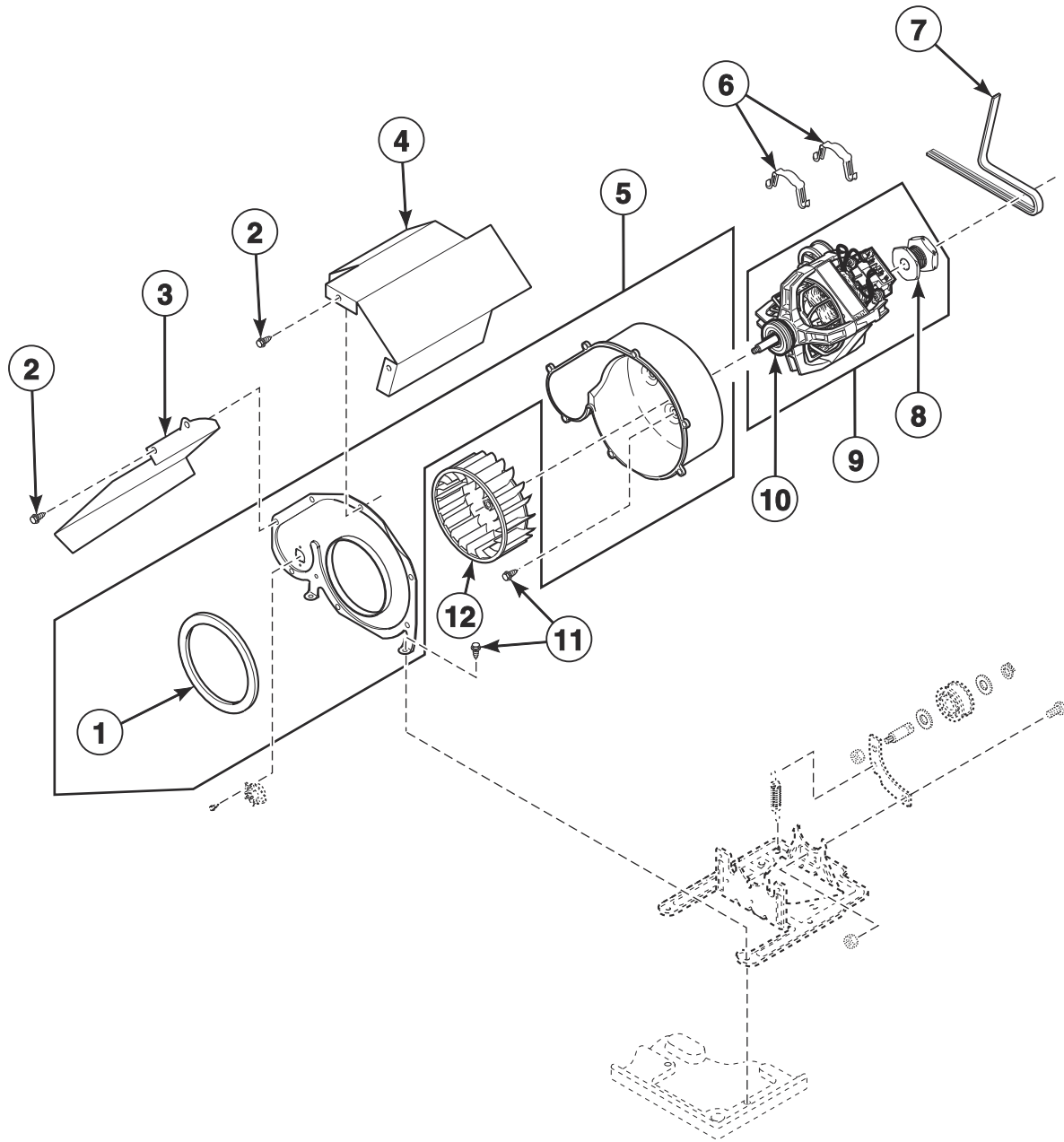


DRY2421P_515206

Access Panel, Front Panel and Seal

REF	PART NO.	DESCRIPTION	COMMENTS
1	28835	Speed Clip	
2	D514327	Drip Shield	Models HSENXAGW543DW01, HSGNXAGW123DW01, HSGNXAGW543DW01, JSEJEAGW303EW01, JSEJGAGW303EW01, JSEJXAGW303EW01, JSGJEAGW303EW01, JSGJGAGW303EW01, JSGJXAGW303EW01, PS3JGAGS403UG01, PS3JXAGS403UG01, PSEJXAGS434AG01, PSGJGAGS303UG01, PSGJGAGS543ZG01, PSGJXAGS303UG01, PSGJXAGS304AG01, PSGJXAGS543ZG01, SSENXAGW433AW01, SSENXAGW543DW01, SSGNXAGW123DW01, SSGNXAGW303AW01, SSGNXAGW543DW01 and SSLNXAGW543PW01
3	D512973	Switch	
4	D511056	Front Panel Seal	
5	D510066DG	Front Panel	Models PS3JGAGS403UG01, PS3JXAGS403UG01, PSEJXAGS434AG01, PSGJGAGS303UG01, PSGJGAGS543ZG01, PSGJXAGS303UG01, PSGJXAGS304AG01 and PSGJXAGS543ZG01
	D510066WP	Front Panel	All other models
6	D503688	Screw	
7	33562	Screw	Slotted hex head
	62853	Screw	Torx head; Optional for added security
8	D514250WP	Access Panel Assembly	Models HSENXAGW283CW01, HSENXAGW293CW01, HSENXFGW293CW01, HSENYAGW283CW01, HSENYAGW293CW01, HSENYFGW283CW01, SSENEAGW283CW01, SSENEAGW293CW01, SSENXAGW283CW01, SSENXAGW293CW01, SSENXFGW293CW01, SSENYAGW283CW01 and SSENYAGW293CW01
	D514250DG	Access Panel Assembly	Gray; Models PS3JGAGS403UG01, PS3JXAGS403UG01, PSEJXAGS434AG01, PSGJGAGS303UG01, PSGJGAGS543ZG01, PSGJXAGS303UG01, PSGJXAGS304AG01 and PSGJXAGS543ZG01
	D514250WP	Access Panel Assembly	White; All other models
9	56079	Panel Locator	
10	39733	Screw	
11	D502781	Lint Filter Label	Models JSEJEAGW303EW01, JSEJGAGW303EW01, JSGJEAGW303EW01, JSGJGAGW303EW01, PS3JGAGS403UG01, PS3JXAGS403UG01, PSEJXAGS434AG01, PSGJGAGS303UG01, PSGJGAGS543ZG01, PSGJXAGS303UG01, PSGJXAGS304AG01, PSGJXAGS543ZG01, SSENXAGW433AW01, SSGNXAGW303AW01, SSLNXAGW543NW23 and SSLNXAGW543PW01
12	D510177	Door Catch Assembly	
13	D500253	Caution Label	English/French; Models HSENXAGW283CW01, HSENXAGW293CW01, HSENXFGW293CW01, HSENYAGW283CW01, HSENYAGW293CW01, HSENYFGW283CW01, HSGNXAGW093CW01, HSGNXFGW093CW01, HSGNYAGW093CW01, HSGNYFGW093CW01, SSENEAGW283CW01, SSENEAGW293CW01, SSENXAGW283CW01, SSENXAGW293CW01, SSENXFGW293CW01, SSENYAGW283CW01, SSENYAGW293CW01, SSGNEAGW093CW01, SSGNXAGW093CW01, SSGNXFGW093CW01 and SSGNYAGW093CW01
	D514226	Warning Label	Brazilian Portuguese; Models HSENXAGW543DW01, HSGNXAGW123DW01, HSGNXAGW543DW01, SSENXAGW543DW01, SSGNXAGW123DW01 and SSGNXAGW543DW01
	D500281	Warning/Caution Label	All other models
14	D513781WP	Front Panel Assembly	Includes items 1-4, 9, 10, 12, 15 and D511636WP Door Assembly, (2) of D511036 Door Hinge and (8) of D500226 Screw
15	D510186	Hinge Hole Plug	

Motor, Exhaust Fan and Belt (Drawing 1 of 2)

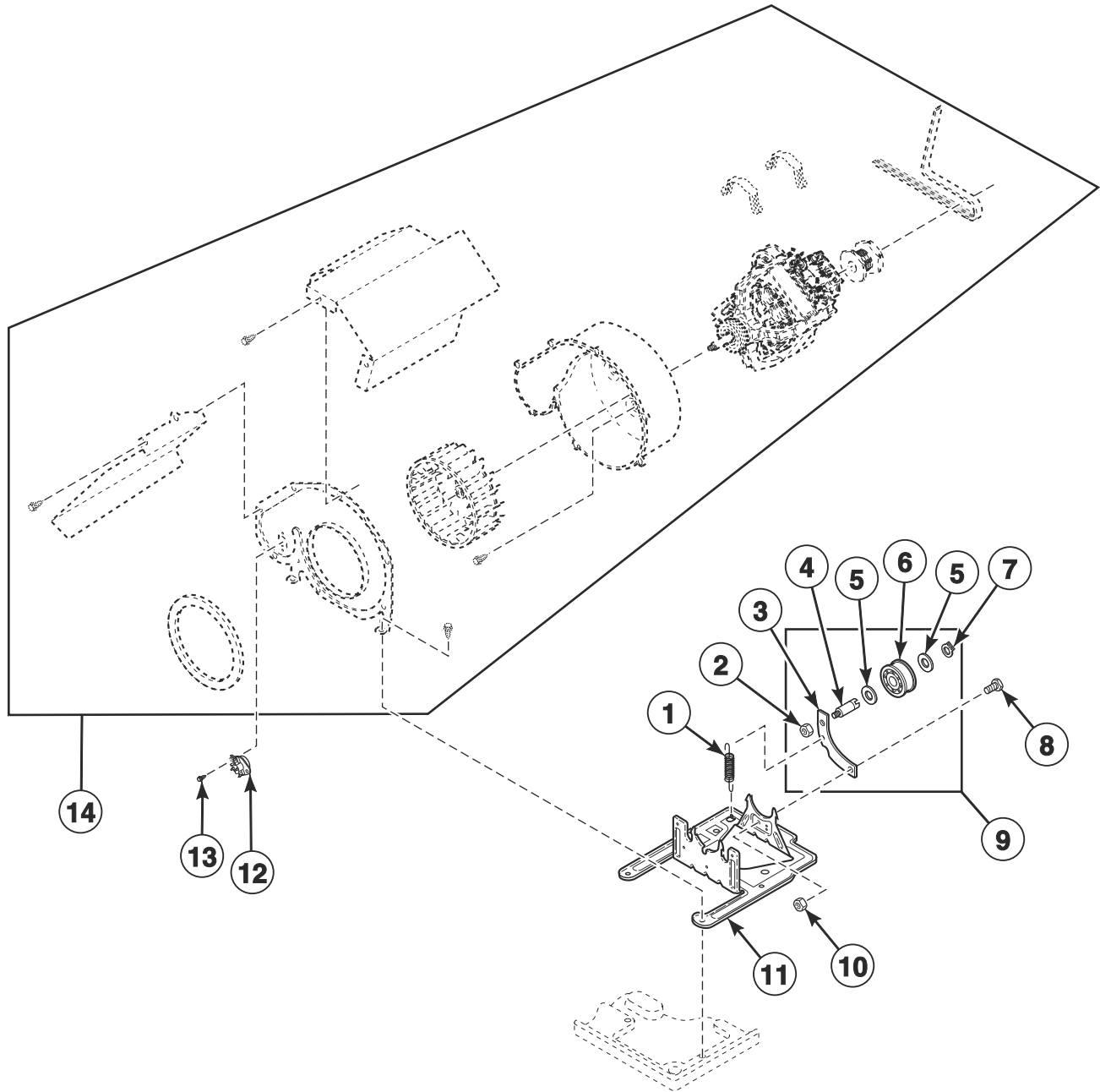


DRY2312P_515206

Motor, Exhaust Fan and Belt (Drawing 1 of 2)

REF	PART NO.	DESCRIPTION	COMMENTS
	27604P	Anti-Seize Compound	Apply to motor shaft when installing blower fan assembly
1	D510238P	Blower Housing Seal	
2	31260	Screw	
3	D514325	Thermostat Shield	Upper unit only; All models except HSENXAGW283CW01, HSENXAGW293CW01, HSENXFGW293CW01, HSENYAGW283CW01, HSENYAGW293CW01, HSENYFGW283CW01, HSGNXAGW093CW01, HSGNXFGW093CW01, HSGNYAGW093CW01, HSGNYFGW093CW01, SSENEAGW283CW01, SSENEAGW293CW01, SSENXAGW283CW01, SSENXAGW293CW01, SSENXFGW293CW01, SSENYAGW283CW01, SSENYAGW293CW01, SSGNEAGW093CW01, SSGNXAGW093CW01, SSGNXFGW093CW01, SSGNYAGW093CW01 and SSLNXAGW543NW23
4	D514602	Motor Shield	All models except HSENXAGW283CW01, HSENXAGW293CW01, HSENXFGW293CW01, HSENYAGW283CW01, HSENYAGW293CW01, HSENYFGW283CW01, HSGNXAGW093CW01, HSGNXFGW093CW01, HSGNYAGW093CW01, HSGNYFGW093CW01, SSENEAGW283CW01, SSENEAGW293CW01, SSENXAGW283CW01, SSENXAGW293CW01, SSENXFGW293CW01, SSENYAGW283CW01, SSENYAGW293CW01, SSGNEAGW093CW01, SSGNXAGW093CW01, SSGNXFGW093CW01, SSGNYAGW093CW01 and SSLNXAGW543NW23
5	D511969LG	Blower Housing	Includes items 1 and 2; Models HSENXAGW283CW01, HSENXAGW293CW01, HSENXFGW293CW01, HSENYAGW283CW01, HSENYAGW293CW01, HSENYFGW283CW01, SSENEAGW283CW01, SSENEAGW293CW01, SSENXAGW283CW01, SSENXAGW293CW01, SSENXFGW293CW01, SSENYAGW283CW01, SSENYAGW293CW01, SSGNEAGW093CW01, SSGNXAGW093CW01, SSGNXFGW093CW01 and SSGNYAGW093CW01
	D511969WP	Blower Housing	Includes items 1 and 2; All other models
6	D510180	Motor Mount Clamp	
7	D511255P	Cylinder Belt	
8	D500222	Motor Pulley	50 Hertz; Models JSEJEAGW303EW01, JSEJGAGW303EW01, JSEJXAGW303EW01, JSGJEAGW303EW01, JSGJGAGW303EW01, JSGJXAGW303EW01, PS3JGAGS403UG01, PS3JXAGS403UG01, PSEJXAGS434AG01, PSGJGAGS303UG01, PSGJXAGS303UG01, PSGJXAGS304AG01, SSENXAGW433AW01 and SSGNXAGW303AW01
	D500011	Motor Pulley	60 Hertz; All other models
9	D505843P	Motor and Pulley Assembly	240 Volt/50 Hertz; Apply anti-seize compound to motor shaft when installing blower fan assembly; Includes items 8 and 10; Models JSEJEAGW303EW01, JSEJGAGW303EW01, JSEJXAGW303EW01, JSGJEAGW303EW01, JSGJGAGW303EW01, JSGJXAGW303EW01, PS3JGAGS403UG01, PS3JXAGS403UG01, PSEJXAGS434AG01, PSGJGAGS303UG01, PSGJXAGS303UG01, PSGJXAGS304AG01, SSENXAGW433AW01 and SSGNXAGW303AW01
	D505869P	Motor and Pulley Assembly	240 Volt/60 Hertz; Includes items 8 and 10; Apply anti-seize compound to motor shaft when installing blower fan assembly; Models HSENXAGW543DW01, HSGNXAGW543DW01, PSGJGAGS543ZG01, PSGJXAGS543ZG01, SSENXAGW543DW01, SSGNXAGW543DW01, SSLNXAGW543NW23 and SSLNXAGW543PW01
	D511629P	Motor and Pulley Assembly	120 Volt/60 Hertz; Apply anti-seize compound to motor shaft when installing blower fan assembly; Includes items 8 and 10; All other models
10	590P3	Motor Hub Ring Kit	
11	D503688	Screw	
12	D510139P	Blower Fan Assembly	Apply anti-seize compound to motor shaft when installing blower fan assembly

Motor, Exhaust Fan and Belt (Drawing 2 of 2)

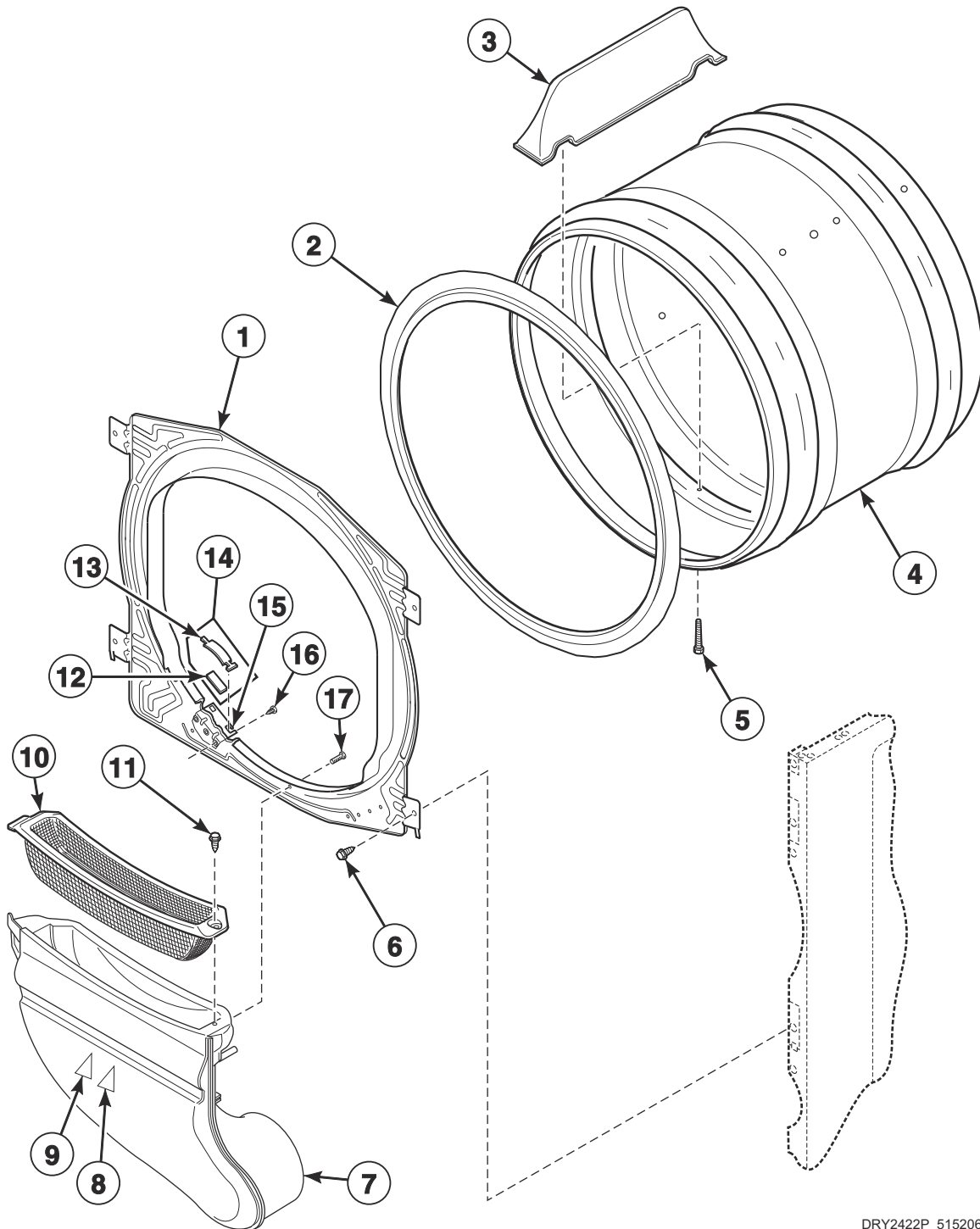


DRY2312PA_515206

Motor, Exhaust Fan and Belt (Drawing 2 of 2)

REF	PART NO.	DESCRIPTION	COMMENTS
1	D510185	Idler Spring	
2	56156	Nut	
3	D516310	Idler Lever	
4	56461P	Shaft	
5	52549	Washer	
6	D510142P	Idler Wheel and Bearing Assembly	
7	23748	Retaining Ring	
8	D500824	Screw	
9	D516792	Idler Lever and Wheel Assembly	Includes items 14-19
10	52566	Nut	
11	D510060	Motor Mount	
12	D502366	Thermistor Assembly	Models JSEJEAGW303EW01, JSEJGAGW303EW01, JSEJXAGW303EW01, JSGJEAGW303EW01, JSGJGAGW303EW01, JSGJXAGW303EW01, PS3JGAGS403UG01, PS3JXAGS403UG01, PSEJXAGS434AG01, PSGJGAGS303UG01, PSGJXAGS303UG01, PSGJXAGS304AG01, SSENXAGW433AW01 and SSGNXAGW303AW01
	D510523	Thermistor Assembly	Black; All other models
13	D502535	Screw	
14	D510717P	Blower and Fan Kit	<i>Includes items 1-6 and 8-12 on Motor, Exhaust Fan and Belt (Drawing 1 of 2) page and items 1-11</i>

Front Bulkhead, Air Duct, Felt Seal and Cylinder

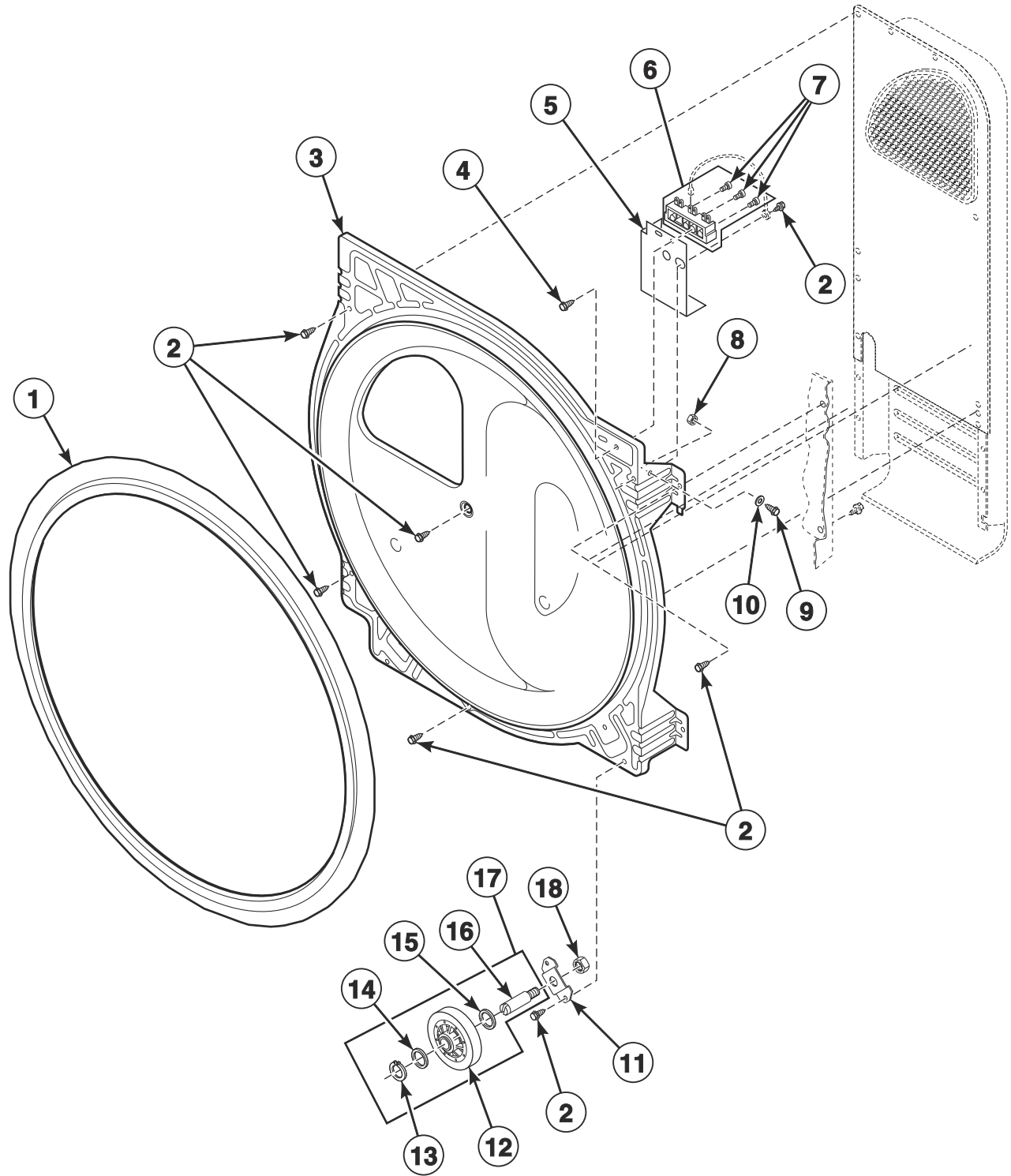


DRY2422P_515206

Front Bulkhead, Air Duct, Felt Seal and Cylinder

REF	PART NO.	DESCRIPTION	COMMENTS
1	D510061	Front Bulkhead Assembly	Unpainted; Includes items 2 and 12-16
2	D510207P	Cylinder Seal Assembly	
	D511637P	Adhesive	Apply to cylinder seal
	RB170001	Seal Kit	Includes 2 cylinder seals, D510238P Blower Housing Seal and adhesive
3	D510102LG	Cylinder Baffle	Models HSENXAGW283CW01, HSENXAGW293CW01, HSENXFGW293CW01, HSENYAGW283CW01, HSENYAGW293CW01, HSENYFGW283CW01, SSENEAGW283CW01, SSENEAGW293CW01, SSENXAGW283CW01, SSENXAGW293CW01, SSENXFGW293CW01, SSENYAGW283CW01, SSENYAGW293CW01, SSGNEAGW093CW01, SSGNXAGW093CW01, SSGNXFGW093CW01 and SSGNYAGW093CW01
	D510102W	Cylinder Baffle	All other models
4	D510265LGP	Cylinder Assembly	Models HSENXAGW283CW01, HSENXAGW293CW01, HSENXFGW293CW01, HSENYAGW283CW01, HSENYAGW293CW01, HSENYFGW283CW01, SSENEAGW283CW01, SSENEAGW293CW01, SSENXAGW283CW01, SSENXAGW293CW01, SSENXFGW293CW01, SSENYAGW283CW01, SSENYAGW293CW01, SSGNEAGW093CW01, SSGNXAGW093CW01, SSGNXFGW093CW01 and SSGNYAGW093CW01
	D510265WP	Cylinder Assembly	Galvanized; Includes item 3; All other models
5	62588	Screw	
6	D503688	Screw	
7	D515805LG	Air Duct Assembly	Models HSENXAGW283CW01, HSENXAGW293CW01, HSENXFGW293CW01, HSENYAGW283CW01, HSENYAGW293CW01, HSENYFGW283CW01, SSENEAGW283CW01, SSENEAGW293CW01, SSENXAGW283CW01, SSENXAGW293CW01, SSENXFGW293CW01, SSENYAGW283CW01, SSENYAGW293CW01, SSGNEAGW093CW01, SSGNXAGW093CW01, SSGNXFGW093CW01 and SSGNYAGW093CW01
	D510151W	Air Duct Assembly	All other models
8	F8211201	Electrical Shock Label	All models except HSENXAGW283CW01, HSENXAGW293CW01, HSENXFGW293CW01, HSENYAGW283CW01, HSENYAGW293CW01, HSENYFGW283CW01, HSGNXAGW093CW01, HSGNYAGW093CW01, SSENEAGW283CW01, SSENEAGW293CW01, SSENXAGW283CW01, SSENXAGW293CW01, SSENXFGW293CW01, SSENYAGW283CW01, SSENYAGW293CW01, SSGNEAGW093CW01, SSGNXAGW093CW01, SSGNXFGW093CW01 and SSGNYAGW093CW01
9	F8615701	Pinch Warning Label	All models except HSENXAGW283CW01, HSENXAGW293CW01, HSENXFGW293CW01, HSENYAGW283CW01, HSENYAGW293CW01, HSENYFGW283CW01, HSGNXAGW093CW01, HSGNXFGW093CW01, HSGNYAGW093CW01, HSGNYFGW093CW01, SSENEAGW283CW01, SSENEAGW293CW01, SSENXAGW283CW01, SSENXAGW293CW01, SSENXFGW293CW01, SSENYAGW283CW01, SSENYAGW293CW01, SSGNEAGW093CW01, SSGNXAGW093CW01, SSGNXFGW093CW01 and SSGNYAGW093CW01
10	D503980LG	Lint Filter	Models HSENXAGW283CW01, HSENXAGW293CW01, HSENXFGW293CW01, HSENYAGW283CW01, HSENYAGW293CW01, HSENYFGW283CW01, SSENEAGW283CW01, SSENEAGW293CW01, SSENXAGW283CW01, SSENXAGW293CW01, SSENXFGW293CW01, SSENYAGW283CW01, SSENYAGW293CW01, SSGNEAGW093CW01, SSGNXAGW093CW01, SSGNXFGW093CW01 and SSGNYAGW093CW01
	D503980W	Lint Filter	All other models
11	D501285	Screw	
12	D510189	Felt Pad	2 required
13	D513710	Cylinder Glide	2 required
14	RB170003	Glide Kit	Includes two of items 12 and 13
15	D510145	Cylinder Glide Bracket	
16	52864	Screw	
17	D505295	Screw	

Rear Bulkhead, Felt Seal, Cylinder Roller and Terminal Block



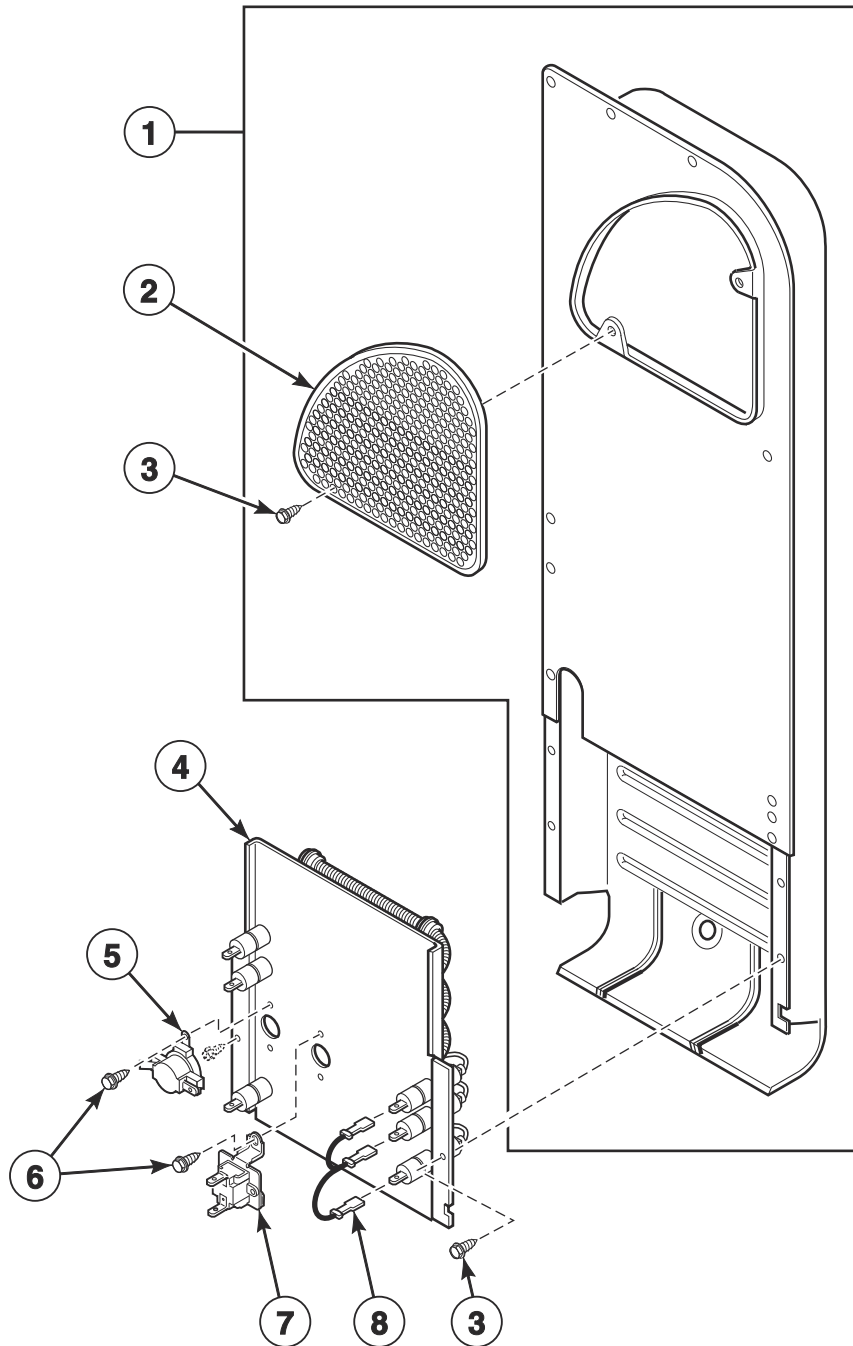
DRY1774P_515206

Rear Bulkhead, Felt Seal, Cylinder Roller and Terminal Block

REF	PART NO.	DESCRIPTION	COMMENTS
1	D510207P	Cylinder Seal Assembly	
	D511637P	Adhesive	Apply to cylinder seal
	RB170001	Seal Kit	Includes 2 cylinder seals, D510238P Blower Housing Seal and adhesive
2	D503688	Screw	
3	D511082P	Rear Bulkhead Assembly	Galvanized; Includes item 1
4	D501285	Screw	Models HSENXAGW283CW01, HSENXAGW293CW01, HSENXAGW543DW01, HSENXFGW293CW01, HSENYAGW283CW01, HSENYAGW293CW01, HSENYFGW283CW01, HSGNXAGW093CW01, HSGNXFGW093CW01, HSGNYAGW093CW01, HSGNYFGW093CW01, JSEJEAGW303EW01, JSEJGAGW303EW01, JSEJXAGW303EW01, PSEJXAGS434AG01, SSENEAGW283CW01, SSENEAGW293CW01, SSENXAGW283CW01, SSENXAGW293CW01, SSENXAGW433AW01, SSENXAGW543DW01, SSENXFGW293CW01, SSENYAGW283CW01, SSENYAGW293CW01, SSGNEAGW093CW01, SSGNXAGW093CW01, SSGNXFGW093CW01 and SSGNYAGW093CW01
5	D510237	Terminal Block Shield	Models HSENXAGW283CW01, HSENXAGW293CW01, HSENXFGW293CW01, HSENYAGW283CW01, HSENYAGW293CW01, HSENYFGW283CW01, HSGNXAGW093CW01, HSGNXFGW093CW01, HSGNYAGW093CW01, HSGNYFGW093CW01, SSENEAGW283CW01, SSENEAGW293CW01, SSENXAGW283CW01, SSENXAGW293CW01, SSENXFGW293CW01, SSENYAGW283CW01, SSENYAGW293CW01, SSGNEAGW093CW01, SSGNXAGW093CW01, SSGNXFGW093CW01 and SSGNYAGW093CW01; Through Serial No. 1903000001
	D514330	Terminal Block Shield	Models HSENXAGW543DW01, JSEJEAGW303EW01, JSEJGAGW303EW01, JSEJXAGW303EW01, SSENXAGW433AW01 and SSENXAGW543DW01
6	D510190P	Terminal Block Assembly	Includes 3 of item 7; Models HSENXAGW283CW01, HSENXAGW293CW01, HSENXAGW543DW01, HSENXFGW293CW01, HSENYAGW283CW01, HSENYAGW293CW01, HSENYFGW283CW01, HSGNXAGW093CW01, HSGNXFGW093CW01, HSGNYAGW093CW01, HSGNYFGW093CW01, JSEJEAGW303EW01, JSEJGAGW303EW01, JSEJXAGW303EW01, PSEJXAGS434AG01, SSENEAGW283CW01, SSENEAGW293CW01, SSENXAGW283CW01, SSENXAGW293CW01, SSENXAGW433AW01, SSENXAGW543DW01, SSENXFGW293CW01, SSENYAGW283CW01, SSENYAGW293CW01, SSGNEAGW093CW01, SSGNXAGW093CW01, SSGNXFGW093CW01 and SSGNYAGW093CW01
7	61199	Screw	
8	28447	Nut	
9	28448	Screw	
10	28449	Washer	
11	D510100	Cylinder Roller Bracket	
12	D510708P	Cylinder Roller	
13	23748	Retaining Ring	
14	52549	Washer	
15	D504082	Washer	
16	56461P	Shaft	
17	RB170002	Roller Kit	Includes items 12-16
18	56156	Nut	

Heater Duct Assembly - 3 Phase Electric Models

Models PS3JGAGS403UG01 and PS3JXAGS403UG01

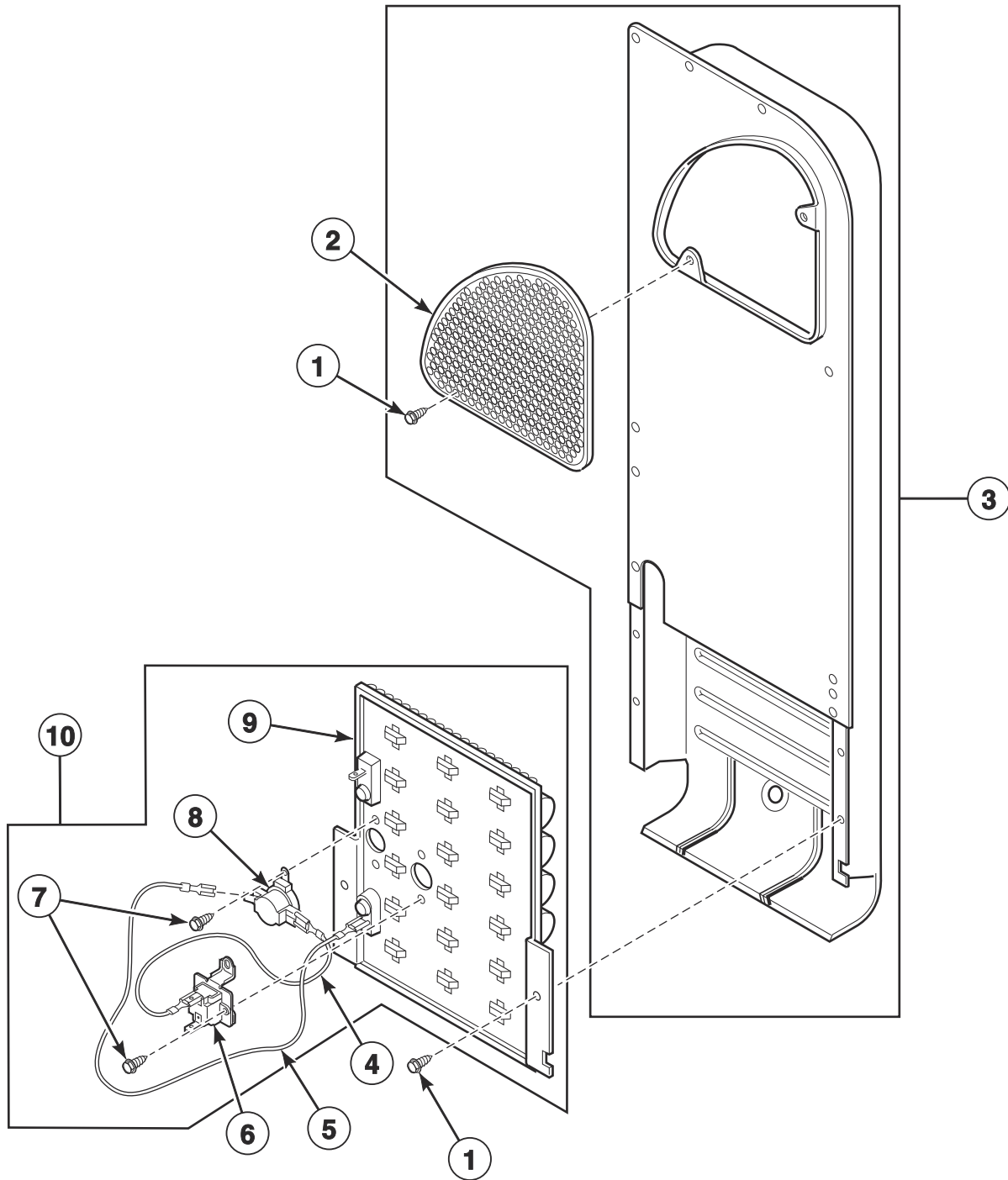


DRY2360P_515206

Heater Duct Assembly - 3 Phase Electric Models

REF	PART NO.	DESCRIPTION	COMMENTS
	756P3	Conversion Kit	400 Volt, 4 wire WYE to 240 Volt, 3 wire Delta
1	D510025P	Heater Duct Assembly	Includes items 2 and 3
2	D500820	Outlet Cover	
	D515573	Outlet Cover	Black
3	D503688	Screw	
4	D511014P	Heater	400 Volt/3 Phase
5	D510701	Limit Thermostat	
6	23222	Screw	
7	D511412	Thermal Fuse Assembly	
8	D511270	Jumper Wire Assembly	3 Phase

Heater Duct and Element Assembly - 1 Phase Electric Models

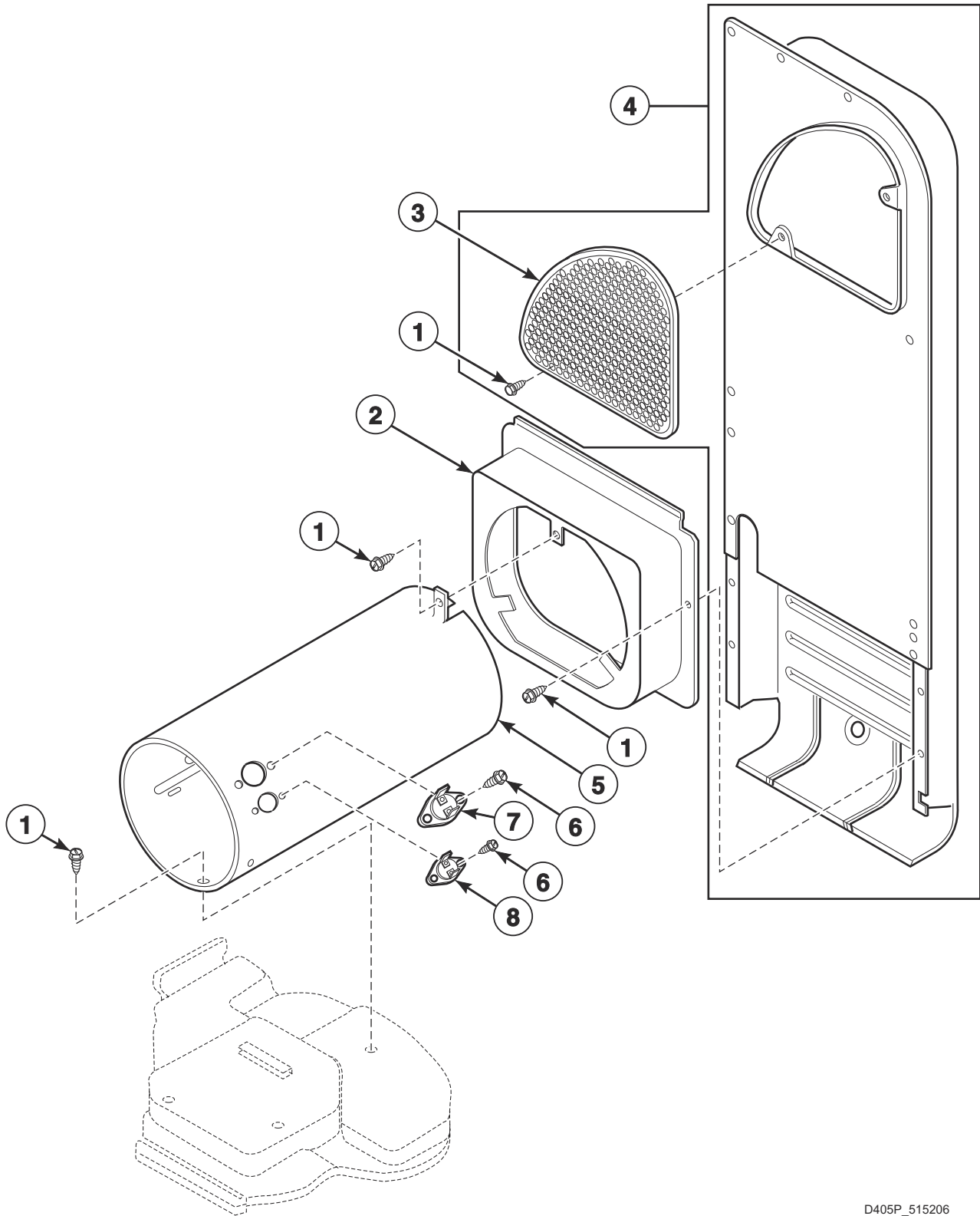


DRY1789P_515206

Heater Duct and Element Assembly - 1 Phase Electric Models

REF	PART NO.	DESCRIPTION	COMMENTS
1	D503688	Screw	
2	D500820	Outlet Cover	
	D515573	Outlet Cover	Black
3	D510025P	Heater Duct Assembly	Includes items 1 and 2
	D514476	Heater Duct Assembly	Includes item 2; Model PSEJXAGS434AG01
4	D510528	Wire Assembly	Orange; Thermostat jumper; Attaches to heater assembly
5	D510527	Wire Assembly	Black; Fuse jumper; Attaches to heater assembly
6	D511412	Thermal Fuse Assembly	
7	23222	Screw	
8	D510701	Limit Thermostat	
9	D510330P	Heater Assembly	208 Volt/60 Hertz; 4.25 kW; Models HSENXAGW293CW01, HSENXFGW293CW01, HSENYAGW293CW01, SSENEAGW283CW01, SSENEAGW293CW01, SSENXAGW283CW01, SSENXAGW293CW01, SSENXFGW293CW01, SSENYAGW283CW01 and SSENYAGW293CW01
	D510324P	Heater Assembly	240 Volt/60 Hertz; 5 kW; Models HSENXAGW283CW01, HSENYAGW283CW01, HSENYFGW283CW01, SSENEAGW283CW01, SSENEAGW293CW01, SSENXAGW283CW01, SSENXAGW293CW01, SSENXFGW293CW01, SSENYAGW283CW01 and SSENYAGW293CW01
	D510327P	Heater Assembly	240 Volt/50 Hertz; 4 kW; Models PSEJXAGS434AG01 and SSENXAGW433AW01
	D510329P	Heater Assembly	240 Volt/60 Hertz; 5.35 kW; Models HSENXAGW543DW01 and SSENXAGW543DW01
	D510326P	Heater Assembly	240 Volt/50 Hertz; 4.8 kW; Models JSEJEAGW303EW01, JSEJGAGW303EW01 and JSEJXAGW303EW01
10	965P3	Heater Kit	208 Volt/60 Hertz; 4.25 kW; Includes items 4-9; Models HSENXAGW293CW01, HSENXFGW293CW01, HSENYAGW293CW01, SSENEAGW283CW01, SSENEAGW293CW01, SSENXAGW283CW01, SSENXAGW293CW01, SSENXFGW293CW01, SSENYAGW283CW01 and SSENYAGW293CW01
	61927	Heater Kit Assembly	240 Volt/60 Hertz; 5 kW; Models HSENXAGW283CW01, HSENYAGW283CW01, HSENYFGW283CW01, SSENEAGW283CW01, SSENEAGW293CW01, SSENXAGW283CW01, SSENXAGW293CW01, SSENXFGW293CW01, SSENYAGW283CW01 and SSENYAGW293CW01
	61930	Heater Kit Assembly	240 Volt/50 Hertz; 4 kW; Model SSENXAGW433AW01
	964P3	Heater Kit	240 Volt/60 Hertz; 5.35 kW; Models HSENXAGW543DW01 and SSENXAGW543DW01
	61929	Heater Kit Assembly	240 Volt/50 Hertz; 4.8 kW; Models JSEJEAGW303EW01, JSEJGAGW303EW01, JSEJXAGW303EW01 and PSEJXAGS434AG01

Heater Duct Assembly - Gas Models

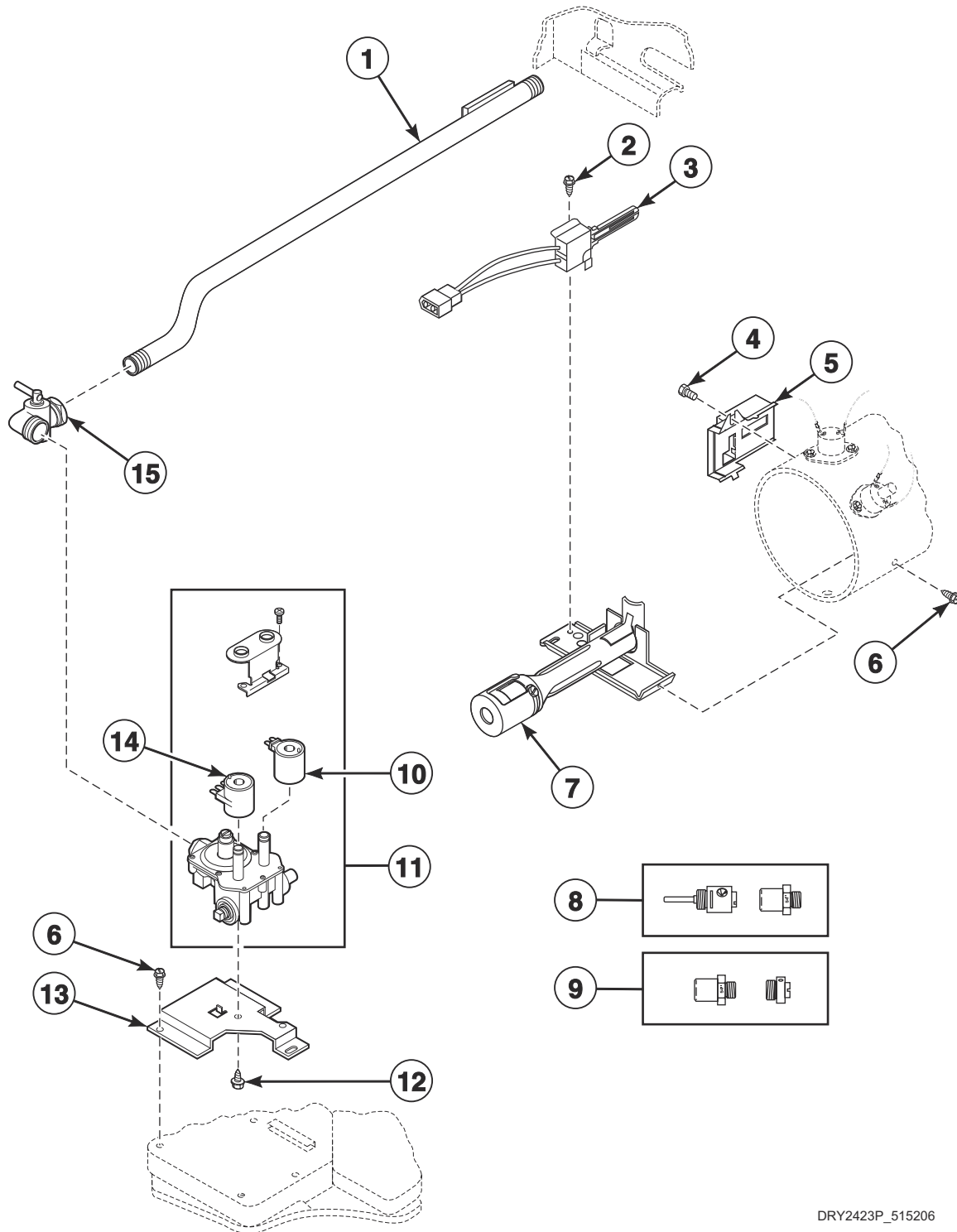


D405P_515206

Heater Duct Assembly - Gas Models

REF	PART NO.	DESCRIPTION	COMMENTS
1	D503688	Screw	
2	D510101	Heat Duct Shroud	
3	D500820	Outlet Cover	
	D515573	Outlet Cover	Black
4	D510025P	Heater Duct Assembly	Includes items 1 and 3
5	D510131	Combustion Duct	Models HSGNXAGW093CW01, HSGNXFGW093CW01, HSGNYAGW093CW01, HSGNYFGW093CW01, SSGNEAGW093CW01, SSGNXAGW093CW01, SSGNXFGW093CW01 and SSGNYAGW093CW01
	D510132	Combustion Duct	All other models
6	51782	Screw	
7	D510702	Limit Thermostat	Black; Auto reset
8	D510703	Thermostat	Manual reset; All models except HSGNXAGW093CW01, HSGNXFGW093CW01, HSGNYAGW093CW01, HSGNYFGW093CW01, SSGNEAGW093CW01, SSGNXAGW093CW01, SSGNXFGW093CW01 and SSGNYAGW093CW01

Gas Valve, Igniter and Gas Conversion Kits - Gas Models



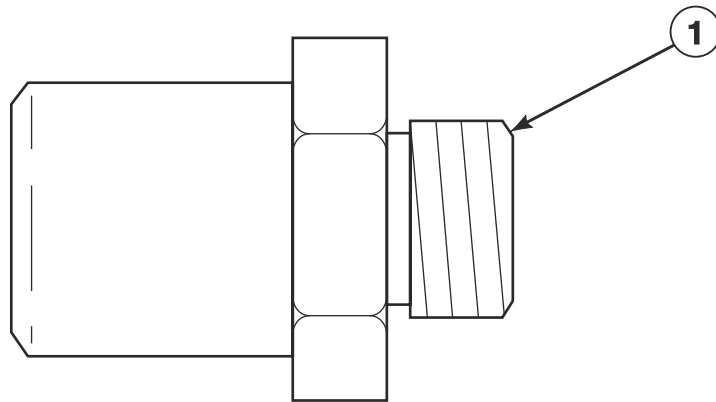
DRY2423P_515206

Gas Valve, Igniter and Gas Conversion Kits - Gas Models

REF	PART NO.	DESCRIPTION	COMMENTS
1	D510204	Lead-In Pipe Assembly	
2	51782	Screw	
3	D510184P	Igniter and Bracket Assembly	
4	23222	Screw	
5	D510213	Sensor	
6	D503688	Screw	
7	D510149P	Burner Assembly	
8	599P3	L.P. Conversion Kit	Used to convert dryers from N.G. or Mixed Gas to L.P.; 21,000 Btu; Models JSGJEAGW303EW01, JSGJGAGW303EW01, JSGJXAGW303EW01, PSGJGAGS303UG01 and PSGJXAGS304AG01
	649P3	L.P. Conversion Kit	Used to convert dryers from N.G. or Mixed Gas to L.P.; 22,500 Btu; Models SSLNXAGW543NW23 and SSLNXAGW543PW01
	458P3	L.P. Conversion Kit	Used to convert dryers from N.G. or Mixed Gas to L.P. for 25,000 Btu; All other models
9	650P3	N.G. Conversion Kit	Used to convert dryers from L.P. to N.G. or Mixed Gas; 22,500 Btu; Models SSLNXAGW543NW23 and SSLNXAGW543PW01
	459P3	N.G. Conversion Kit	Used to convert dryers from L.P. to N.G. or Mixed Gas for 25,000 Btu; All other models
10	59063B	Secondary Coil	50 Hertz; Models JSGJEAGW303EW01, JSGJGAGW303EW01, JSGJXAGW303EW01, PSGJGAGS303UG01, PSGJXAGS303UG01, PSGJXAGS304AG01 and SSGNXAGW303AW01
	58804B	Secondary Coil	60 Hertz; All other models
11	59063P	Gas Valve Assembly	Models JSGJEAGW303EW01, JSGJGAGW303EW01, JSGJXAGW303EW01, PSGJGAGS303UG01 and PSGJXAGS303UG01; 50 Hertz; 20,000 Btu; Includes items 10 and 14
	D513631	Gas Valve Assembly	Models SSLNXAGW543NW23 and SSLNXAGW543PW01; 60 Hertz; 22,500 Btu; Includes items 10 and 14
	60443P	Valve Assembly	Models PSGJXAGS304AG01 and SSGNXAGW303AW01; 50 Hertz; 25,000 Btu; Includes items 10 and 14
	60353P	Gas Valve Assembly	All other models; 60 Hertz; 25,000 Btu; Includes items 10 and 14
12	56124	Screw	
13	D510333	Gas Valve Mounting Bracket	Model PSGJXAGS304AG01
	D510128	Gas Valve Mounting Bracket	All other models
14	59063A	Booster and Holding Coil	Models JSGJEAGW303EW01, JSGJGAGW303EW01, JSGJXAGW303EW01, PSGJGAGS303UG01, PSGJXAGS303UG01, PSGJXAGS304AG01 and SSGNXAGW303AW01; 50 Hertz
	58804A	Booster and Holding Coil	All other models; 60 Hertz
15	D510205	Elbow Shut-Off Valve	

Burner Orifice Spuds - For Higher Elevations

Gas Models

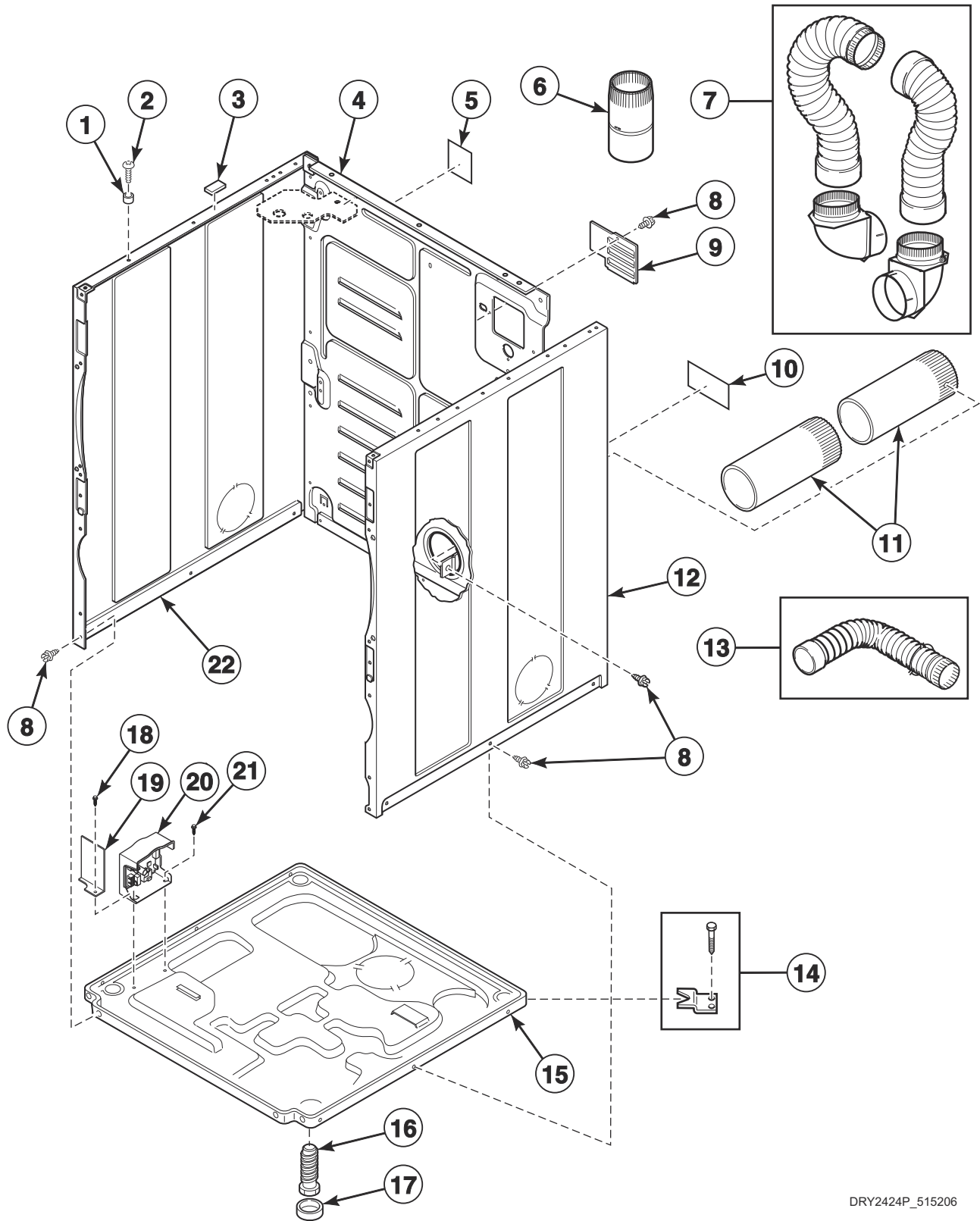


DRY2266P_515206

Burner Orifice Spuds - For Higher Elevations

REF	PART NO.	DESCRIPTION	COMMENTS
1	58755	L.P. Orifice	Liquid Petroleum Gas (L.P.); Models SSLNXAGW543NW23 and SSLNXAGW543PW01 3000-7999 feet (915-2439 m) 22,500 Btu; All models except SSLNXAGW543NW23 and SSLNXAGW543PW01 7500-10999 feet (2290-3354 m) 25,000 Btu
	D503786	L.P. Orifice	L.P.; Models SSLNXAGW543NW23 and SSLNXAGW543PW01 8000 feet (2440 m) and higher 22,500 Btu; All models except SSLNXAGW543NW23 and SSLNXAGW543PW01 11000 feet (3355 m) and higher; 25,000 Btu
	D503776	N.G. Orifice	Natural Gas (N.G.); 2000-2999 feet (610-914 m); All models except SSLNXAGW543NW23 and SSLNXAGW543PW01
	D510517	N.G. Orifice	N.G.; 3000-5499 feet (915-1679 m); All models except SSLNXAGW543NW23 and SSLNXAGW543PW01
	D503778	N.G. Orifice	N.G.; Models SSLNXAGW543NW23 and SSLNXAGW543PW01 3000-5999 feet (915-1829 m) 22,500 Btu; All models except SSLNXAGW543NW23 and SSLNXAGW543PW01 5500-6999 feet (1680-2134 m) 25,000 Btu
	58719	Screw Orifice	N.G.; Models SSLNXAGW543NW23 and SSLNXAGW543PW01 6000-7999 feet (1830-2439 m) 22,500 Btu; All models except SSLNXAGW543NW23 and SSLNXAGW543PW01 7000-8999 feet (2135-2744 m) 25,000 Btu
	D503779	N.G. Orifice	N.G.; Models SSLNXAGW543NW23 and SSLNXAGW543PW01 8000-8999 feet (2440-2739 m) 22,500 Btu; All models except SSLNXAGW543NW23 and SSLNXAGW543PW01 9000-10499 feet (2745-3199 m) 25,000 Btu
	D503780	N.G. Orifice	N.G.; Models SSLNXAGW543NW23 and SSLNXAGW543PW01 9000-9999 feet (2740-3049 m) 22,500 Btu; All models except SSLNXAGW543NW23 and SSLNXAGW543PW01 10500 feet (3200 m) and higher; 25,000 Btu
	D503781	N.G. Orifice	N.G.; Models SSLNXAGW543NW23 and SSLNXAGW543PW01 10,000 feet (3050 m) and higher; 22,500 Btu

Cabinet, Exhaust Duct and Base



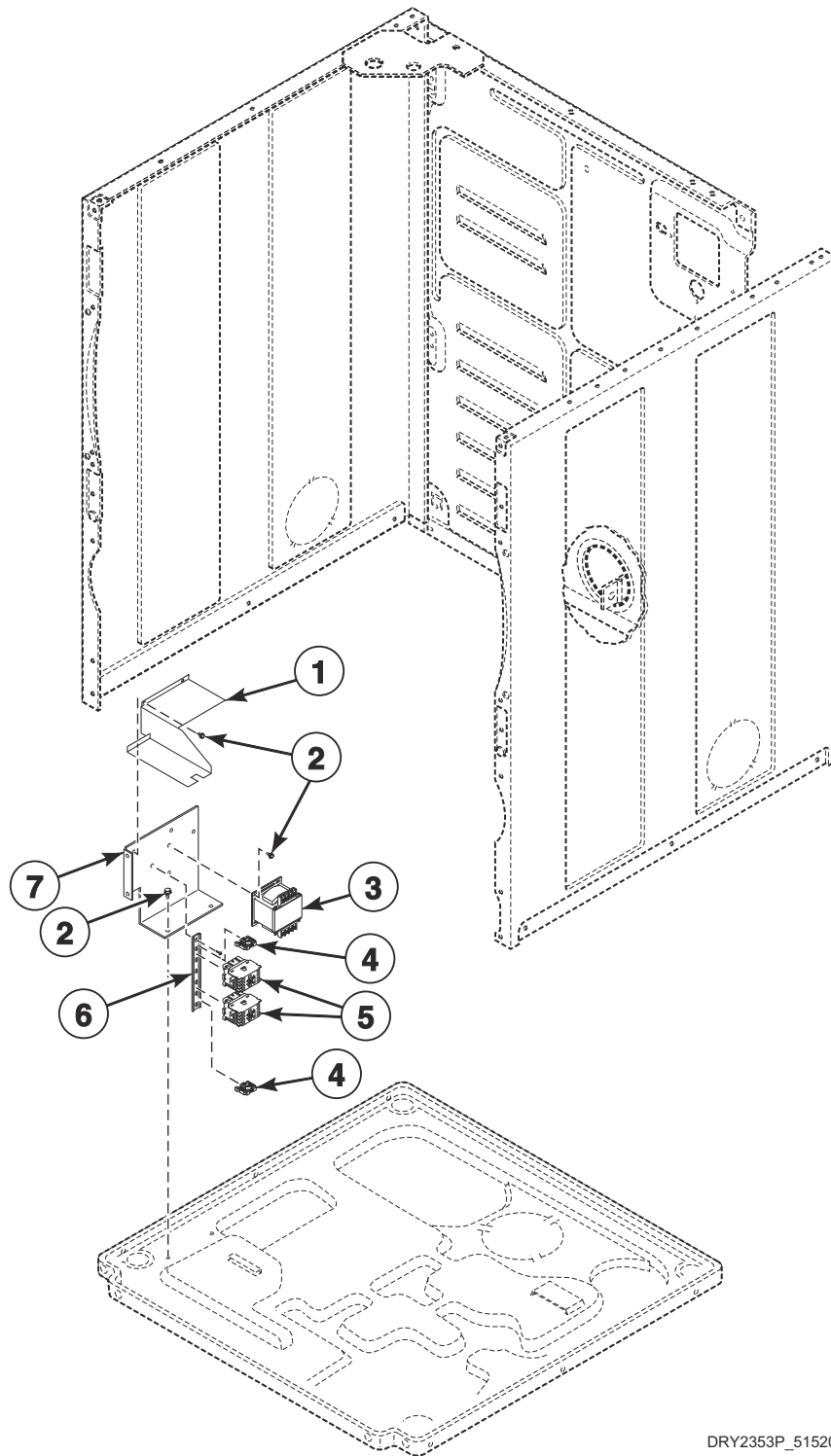
DRY2424P_515206

Cabinet, Exhaust Duct and Base

REF	PART NO.	DESCRIPTION	COMMENTS
	122P4P	Porcelain Touch-Up Paint	
1	56079	Panel Locator	
2	39733	Screw	
3	56128	Bumper Pad	
4	D514632P	Cabinet Rear Panel	
5	D505984	Clearance Warning Label	Models HSENXFGW293CW01, HSENYFGW283CW01 and SSENXFGW293CW01
	D511004	Gas Clearance Label	Models HSGNXAGW093CW01, HSGNXFGW093CW01, HSGNYAGW093CW01, HSGNYFGW093CW01, SSGNEAGW093CW01, SSGNXAGW093CW01, SSGNXFGW093CW01 and SSGNYAGW093CW01
	F8211201	Electrical Shock Label	All other gas models
6	58786	Damper	Use when connecting to a manifold vent system
7	521P3	Flexible Venting Kit	
8	D503688	Screw	
9	D510903	Access Panel Plate	
10	D500497	Exhaust Warning Label	
11	D516196	Exhaust Duct	Each dryer requires 2 pieces
12	D510002DGP	Cabinet Side Panel	Right; Models PS3JGAGS403UG01, PS3JXAGS403UG01, PSEJXAGS434AG01, PSGJGAGS303UG01, PSGJGAGS543ZG01, PSGJXAGS303UG01, PSGJXAGS304AG01 and PSGJXAGS543ZG01
	D510002WP	Cabinet Side Panel	Right; All other models
13	528P3	Directional Exhaust Kit	Used to vent dryer out the sides or bottom
14	526P3	Hold Down Kit	For mobile home installations
15	D514245	Dryer Base	
16	D510135	Leveling Leg	
17	D501855	Rubber Foot	
18	D514428	Screw	
19	D514420	Output Board Shield	Models JSEJEAGW303EW01, JSEJGAGW303EW01, JSEJXAGW303EW01, PS3JGAGS403UG01, PS3JXAGS403UG01, PSEJXAGS434AG01, SSENXAGW433AW01 and SSENXAGW543DW01
20	D517269	Output Control Assembly	Model SSLNXAGW543NW23
	D513797P	Output Control Assembly	All other models
21	804667	Screw	
22	D510001DGP	Cabinet Side Panel	Left; Models PS3JGAGS403UG01, PS3JXAGS403UG01, PSEJXAGS434AG01, PSGJGAGS303UG01, PSGJGAGS543ZG01, PSGJXAGS303UG01, PSGJXAGS304AG01 and PSGJXAGS543ZG01
	D510001WP	Cabinet Side Panel	Left; All other models

Contactor and Transformer

Models HSGNXAGW543DW01, JSGJEAGW303EW01, JSGJGAGW303EW01, JSGJXAGW303EW01, PS3JGAGS403UG01, PS3JXAGS403UG01, PSGJGAGS303UG01, PSGJGAGS543ZG01, PSGJXAGS303UG01, PSGJXAGS304AG01, PSGJXAGS543ZG01, SSGNXAGW303AW01, SSGNXAGW543DW01, SSLNXAGW543NW23 and SSLNXAGW543PW01

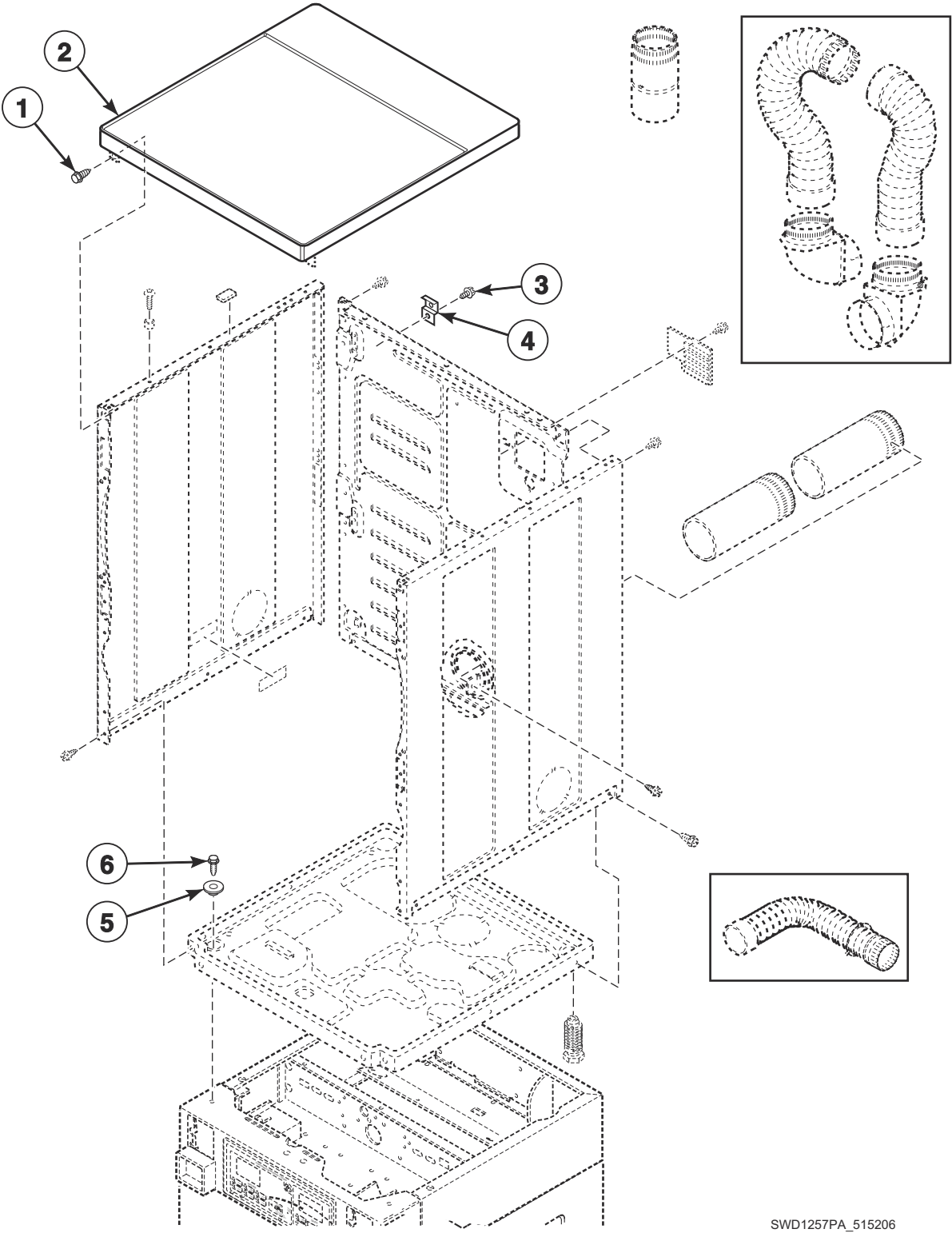


DRY2353P_515206

Contactor and Transformer

REF	PART NO.	DESCRIPTION	COMMENTS
	D514000	Power Harness	Used between item 5 and 804844, 804864 or 514834P Filter; Models PS3JGAGS403UG01 and PS3JXAGS403UG01
	D514002	Heater Harness	Used between item 5 and heating element; Models PS3JGAGS403UG01 and PS3JXAGS403UG01
	D514054	Dual Contactor Harness	Used with item 5; Models PS3JGAGS403UG01 and PS3JXAGS403UG01
1	D514334	Transformer Shield	Models HSGNXAGW543DW01, JSGJEAGW303EW01, JSGJGAGW303EW01, JSGJXAGW303EW01, PSGJGAGS303UG01, PSGJGAGS543ZG01, PSGJXAGS303UG01, PSGJXAGS304AG01, PSGJXAGS543ZG01, SSGNXAGW303AW01, SSGNXAGW543DW01, SSLNXAGW543NW23 and SSLNXAGW543PW01
2	D503688	Screw	
3	D513763P	Transformer	Models HSGNXAGW543DW01, JSGJEAGW303EW01, JSGJGAGW303EW01, JSGJXAGW303EW01, PSGJGAGS303UG01, PSGJGAGS543ZG01, PSGJXAGS303UG01, PSGJXAGS304AG01, PSGJXAGS543ZG01, SSGNXAGW303AW01, SSGNXAGW543DW01, SSLNXAGW543NW23 and SSLNXAGW543PW01
4	F8449801	End Stop	Models PS3JGAGS403UG01 and PS3JXAGS403UG01
5	70482603	Contactor	Models PS3JGAGS403UG01 and PS3JXAGS403UG01
6	M412693	Din Rail	Models PS3JGAGS403UG01 and PS3JXAGS403UG01
7	D511859	Contactor Bracket	

Cabinet Top

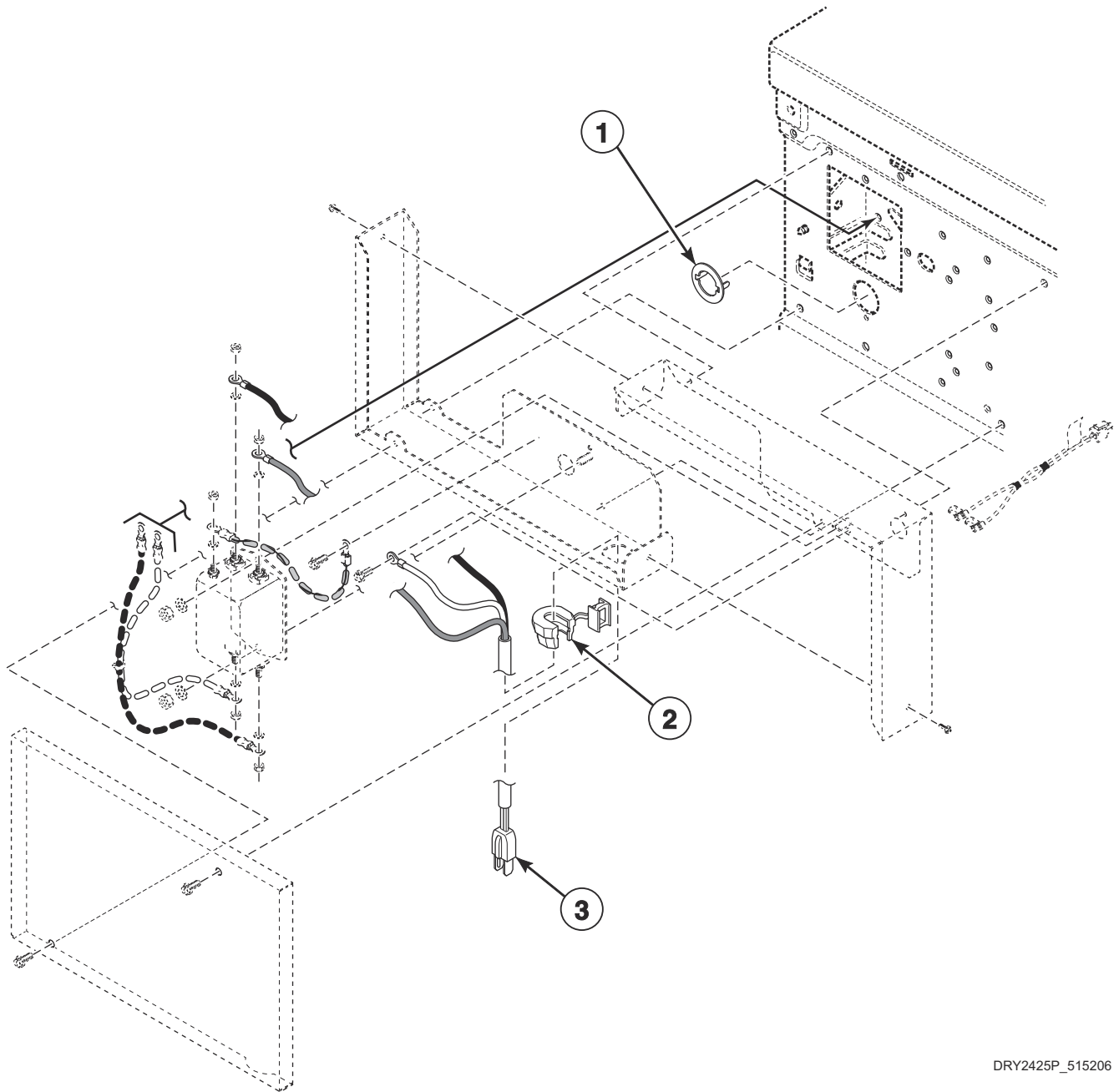


Cabinet Top

REF	PART NO.	DESCRIPTION	COMMENTS
1	D503661	Screw	
2	D510032DG	Top Panel	Gray; Models PS3JGAGS403UG01, PS3JXAGS403UG01, PSGJGAGS303UG01, PSGJGAGS543ZG01, PSGJXAGS303UG01, PSGJXAGS304AG01 and PSGJXAGS543ZG01
	D510032WP	Top Kit	White; All other models
3	D503688	Screw	
4	D510136	Top Hinge	
5	D501307	Washer	
6	36048	Screw	

Power Cord

All Models Except HSENXAGW283CW01, HSENXAGW293CW01, HSENXFGW293CW01, HSENYAGW283CW01, HSENYAGW293CW01, HSENYFGW283CW01, SSENEAGW283CW01, SSENEAGW293CW01, SSENXAGW283CW01, SSENXAGW293CW01, SSENXFGW293CW01, SSENYAGW283CW01 and SSENYAGW293CW01



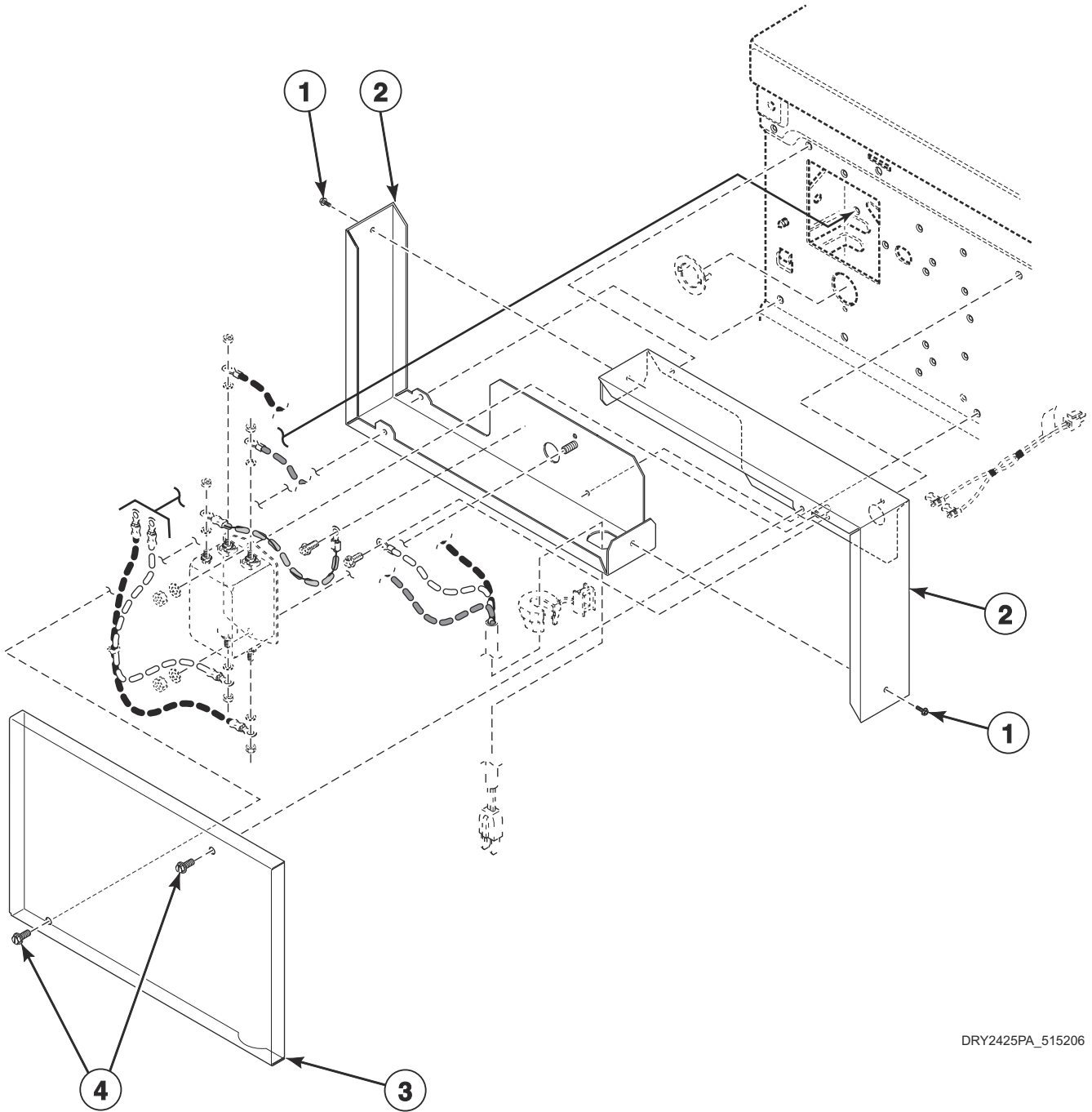
DRY2425P_515206

Power Cord

REF	PART NO.	DESCRIPTION	COMMENTS
	20530	Screw	
1	D502496	Strain Relief Adapter	Models HSGNYAGW093CW01 and HSGNYFGW093CW01
2	52151	Strain Relief	Models HSGNXAGW093CW01, HSGNXFGW093CW01, PS3JGAGS403UG01 and PS3JXAGS403UG01
	52113	Strain Relief	Models HSENXAGW543DW01, JSEJEAGW303EW01, JSEJGAGW303EW01, JSEJXAGW303EW01, SSENXAGW433AW01 and SSENXAGW543DW01
	60298	Strain Relief	Models HSGNXAGW123DW01, HSGNXAGW543DW01, JSGJEAGW303EW01, JSGJGAGW303EW01, JSGJXAGW303EW01, PSGJGAGS303UG01, PSGJGAGS543ZG01, PSGJXAGS303UG01, PSGJXAGS304AG01, PSGJXAGS543ZG01, SSGNXAGW123DW01, SSGNXAGW303AW01, SSGNXAGW543DW01, SSLNXAGW543NW23 and SSLNXAGW543PW01
	D511628	Strain Relief Connector	Models HSGNXAGW093CW01, HSGNXFGW093CW01, HSGNYAGW093CW01, HSGNYFGW093CW01, SSGNEAGW093CW01, SSGNXAGW093CW01, SSGNXFGW093CW01 and SSGNYAGW093CW01
3	D503597	Lead-In Cord Assembly	Models HSENXAGW543DW01, JSEJEAGW303EW01, JSEJGAGW303EW01, JSEJXAGW303EW01 and SSENXAGW543DW01
	203208	Lead-In Cord	Models PSGJGAGS303UG01, PSGJGAGS543ZG01, PSGJXAGS303UG01 and PSGJXAGS543ZG01
	202926	Lead-In Cord	Models PSGJXAGS304AG01 and SSGNXAGW303AW01
	203315	Lead-In Cord	Model SSLNXAGW543PW01
	61605P	Lead-In Cord Kit	Models PSEJXAGS434AG01 and SSENXAGW433AW01
	203344	Lead-In Cord	Model SSLNXAGW543NW23
	D514061	Lead-In Cord	Models HSGNXAGW123DW01, HSGNXAGW543DW01, SSGNXAGW123DW01 and SSGNXAGW543DW01
	58992	Power Cord Assembly	Models HSGNXAGW093CW01, HSGNXFGW093CW01, HSGNYAGW093CW01, HSGNYFGW093CW01, SSGNEAGW093CW01, SSGNXAGW093CW01, SSGNXFGW093CW01 and SSGNYAGW093CW01
	D506106	Lead-In Cord Assembly	Models PS3JGAGS403UG01 and PS3JXAGS403UG01
	203119	Power Cord Assembly	Models JSGJEAGW303EW01, JSGJGAGW303EW01 and JSGJXAGW303EW01

Junction Box

All Models Except HSENXAGW283CW01, HSENXAGW293CW01, HSENXFGW293CW01, HSENYAGW283CW01, HSENYAGW293CW01, HSENYFGW283CW01, HSGNXAGW093CW01, HSGNXFGW093CW01, HSGNYAGW093CW01, HSGNYFGW093CW01, SSENEAGW283CW01, SSENEAGW293CW01, SSENXAGW283CW01, SSENXAGW293CW01, SSENXFGW293CW01, SSENYAGW283CW01, SSENYAGW293CW01, SSGNEAGW093CW01, SSGNXAGW093CW01, SSGNXFGW093CW01, SSGNYAGW093CW01 and SSLNXAGW543NW23



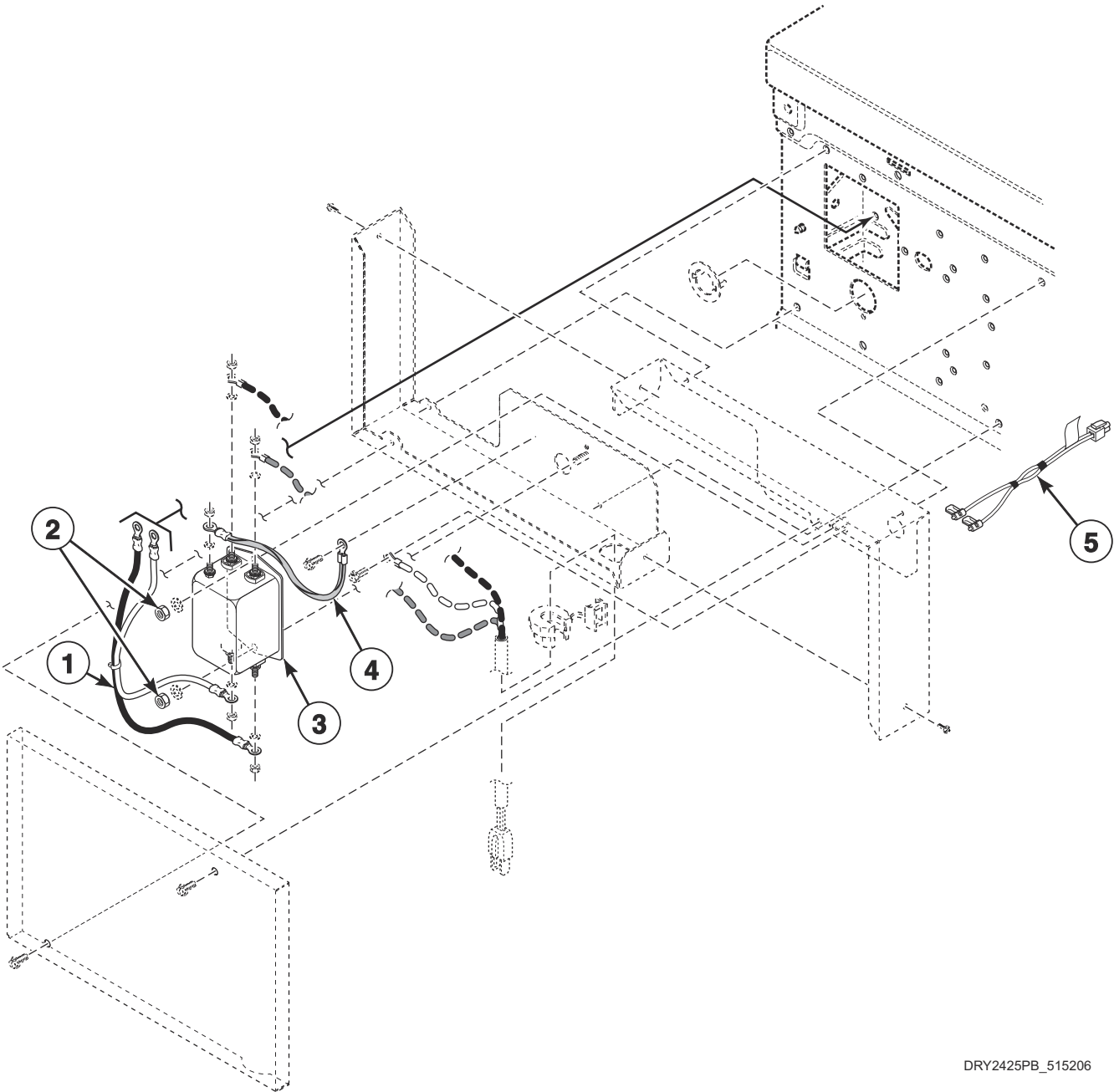
DRY2425PA_515206

Junction Box

REF	PART NO.	DESCRIPTION	COMMENTS
	D514379P	Junction Box Seal	4 required
	D514389P	Junction Box Assembly	Models HSENXAGW543DW01, JSEJEAGW303EW01, JSEJGAGW303EW01, JSEJXAGW303EW01, PSEJXAGS434AG01, SSENXAGW433AW01 and SSENXAGW543DW01
	D514390	Junction Box Assembly	Models HSGNXAGW123DW01, HSGNXAGW543DW01, JSGJEAGW303EW01, JSGJGAGW303EW01, JSGJXAGW303EW01, PSGJGAGS303UG01, PSGJGAGS543ZG01, PSGJXAGS303UG01, PSGJXAGS304AG01, PSGJXAGS543ZG01, SSGNXAGW123DW01, SSGNXAGW303AW01, SSGNXAGW543DW01 and SSLNXAGW543PW01
	D514394P	Junction Box Assembly	Includes items 2, 4, 6, 8, screw and nut; Models PS3JGAGS403UG01 and PS3JXAGS403UG01
1	D503688	Screw	2 required
2	D516154	Junction Box Assembly	3 phase; Models PS3JGAGS403UG01 and PS3JXAGS403UG01
	D516153	Junction Box Assembly	1 phase; Models HSENXAGW543DW01, JSEJEAGW303EW01, JSEJGAGW303EW01, JSEJXAGW303EW01, PSEJXAGS434AG01, SSENXAGW433AW01 and SSENXAGW543DW01
	D516152	Junction Box Assembly	Models HSGNXAGW123DW01, HSGNXAGW543DW01, JSGJEAGW303EW01, JSGJGAGW303EW01, JSGJXAGW303EW01, PSGJGAGS303UG01, PSGJGAGS543ZG01, PSGJXAGS303UG01, PSGJXAGS304AG01, PSGJXAGS543ZG01, SSGNXAGW123DW01, SSGNXAGW303AW01, SSGNXAGW543DW01 and SSLNXAGW543PW01
3	D514363	Junction Box Cover	
4	D503688	Screw	2 required

Junction Box Filter and Harnesses

All Models Except HSENXAGW283CW01, HSENXAGW293CW01, HSENXFGW293CW01, HSENYAGW283CW01, HSENYAGW293CW01, HSENYFGW283CW01, HSGNXAGW093CW01, HSGNXFGW093CW01, HSGNYAGW093CW01, HSGNYFGW093CW01, SSENEAGW283CW01, SSENEAGW293CW01, SSENXAGW283CW01, SSENXAGW293CW01, SSENXFGW293CW01, SSENYAGW283CW01, SSENYAGW293CW01, SSGNEAGW093CW01, SSGNXAGW093CW01, SSGNXFGW093CW01, SSGNYAGW093CW01 and SSLNXAGW543NW23

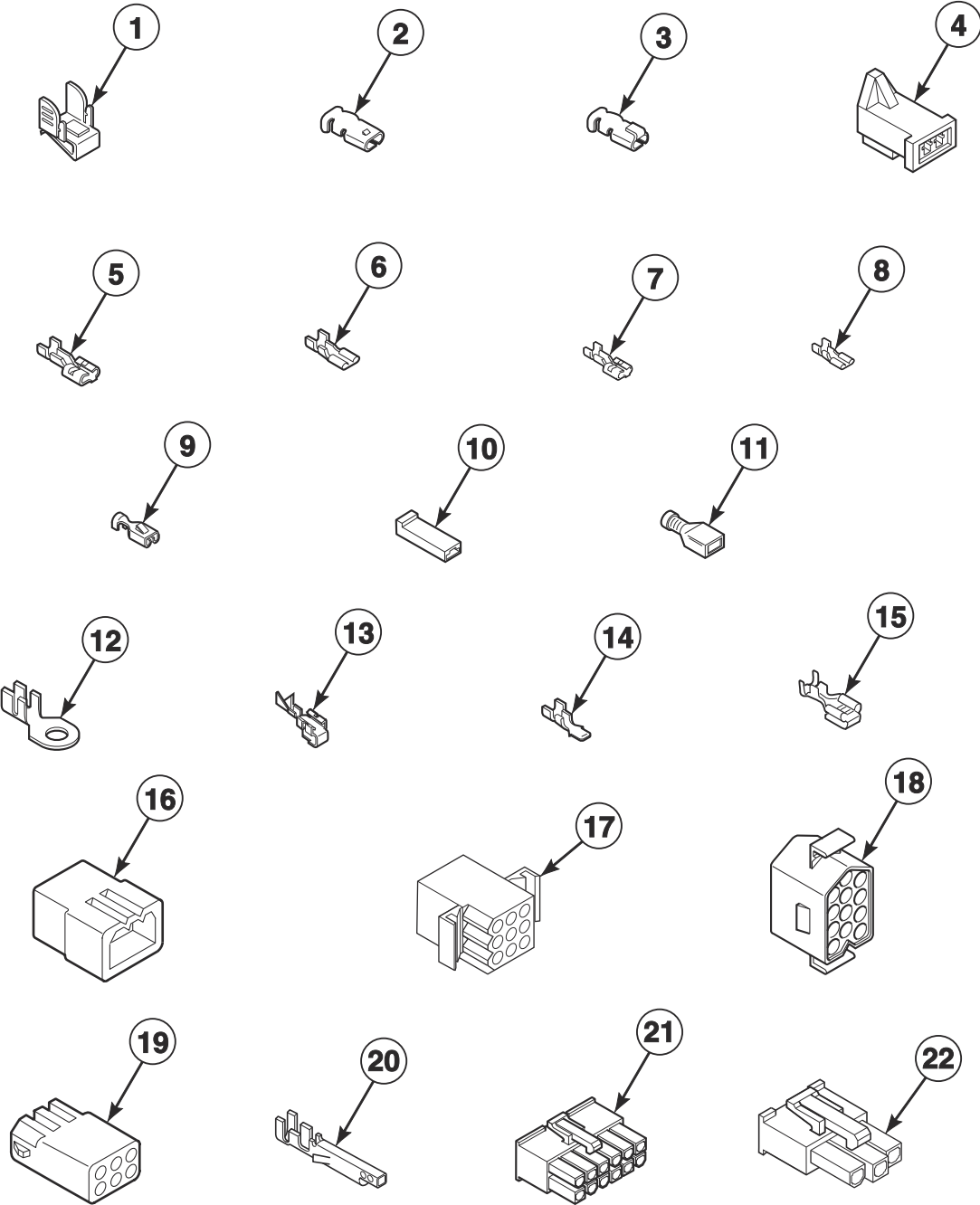


DRY2425PB_515206

Junction Box Filter and Harnesses

REF	PART NO.	DESCRIPTION	COMMENTS
	D503688	Screw	4 required
1	D514037	Filter Harness	Models HSGNXAGW123DW01, HSGNXAGW543DW01, PSGJXAGS304AG01, SSGNXAGW123DW01, SSGNXAGW303AW01 and SSGNXAGW543DW01
	D514036	Filter Harness	Models HSENXAGW543DW01, JSEJEAGW303EW01, JSEJGAGW303EW01, JSEJXAGW303EW01, PSEJXAGS434AG01, SSENXAGW433AW01 and SSENXAGW543DW01
	D514040	Filter Harness	3 Phase; Models PS3JGAGS403UG01 and PS3JXAGS403UG01
2	29787	Nut	2 required
3	804844	Line Filter	30 Amp; Models HSENXAGW543DW01, JSEJEAGW303EW01, JSEJGAGW303EW01, JSEJXAGW303EW01, PSEJXAGS434AG01, SSENXAGW433AW01 and SSENXAGW543DW01
	804864	Line Filter	10 Amp; Models HSGNXAGW123DW01, HSGNXAGW543DW01, JSGJEAGW303EW01, JSGJGAGW303EW01, JSGJXAGW303EW01, PSGJGAGS303UG01, PSGJGAGS543ZG01, PSGJXAGS303UG01, PSGJXAGS304AG01, PSGJXAGS543ZG01, SSGNXAGW123DW01, SSGNXAGW303AW01, SSGNXAGW543DW01 and SSLNXAGW543PW01
	D514384P	Filter	3 Phase; Models PS3JGAGS403UG01 and PS3JXAGS403UG01
4	D514038	Ground Filter Harness	Models HSENXAGW543DW01, JSEJEAGW303EW01, JSEJGAGW303EW01, JSEJXAGW303EW01, PS3JGAGS403UG01, PS3JXAGS403UG01, PSEJXAGS434AG01, SSENXAGW433AW01 and SSENXAGW543DW01
	D514039	Ground Filter Harness	Models HSGNXAGW123DW01, HSGNXAGW543DW01, PSGJXAGS304AG01, SSGNXAGW123DW01, SSGNXAGW303AW01 and SSGNXAGW543DW01
5	804396	Filter Harness	Models JSGJEAGW303EW01, JSGJGAGW303EW01, JSGJXAGW303EW01, PSGJGAGS303UG01, PSGJGAGS543ZG01, PSGJXAGS303UG01, PSGJXAGS304AG01, PSGJXAGS543ZG01 and SSLNXAGW543PW01

Terminal Block and Terminals

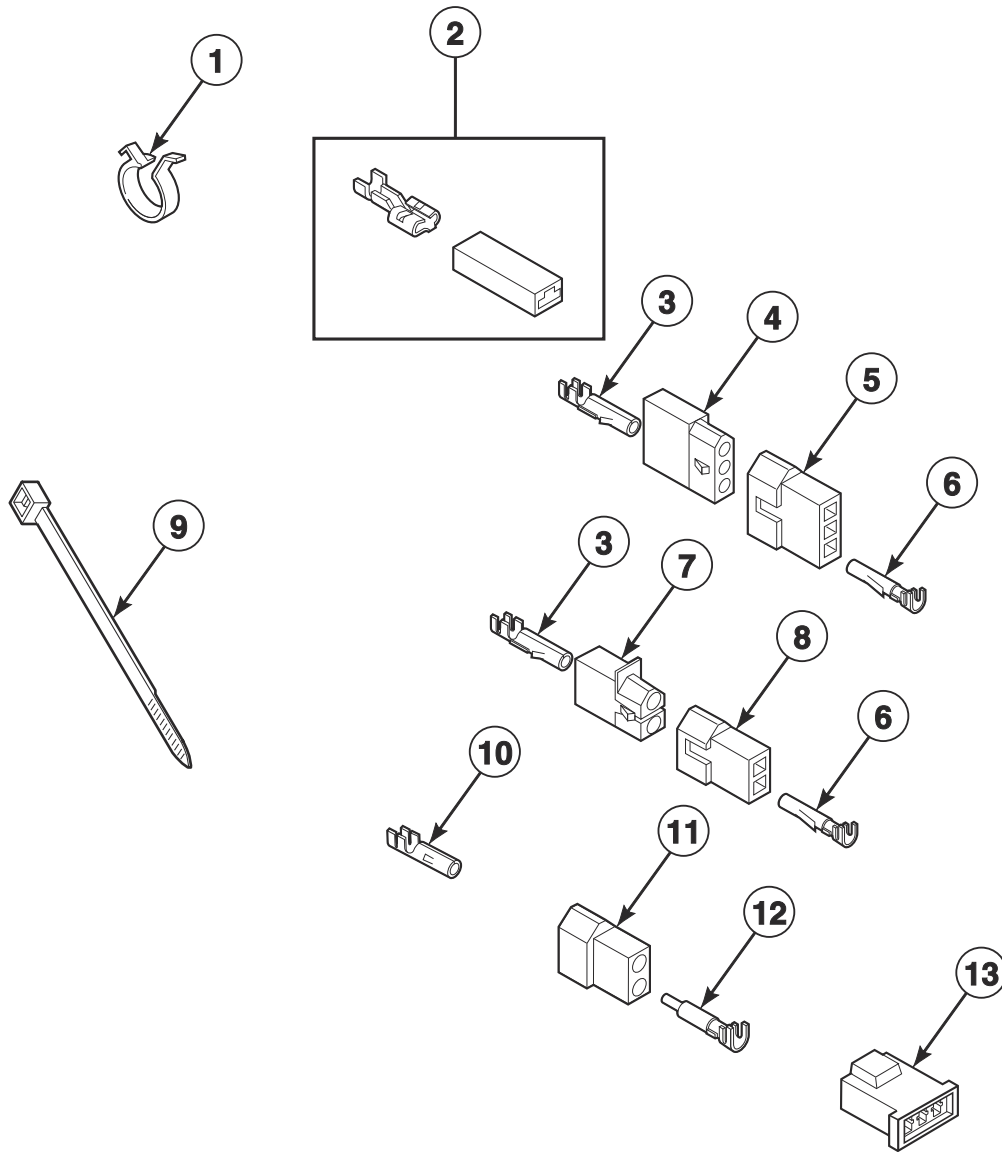


DRY2209P_515206

Terminal Block and Terminals

REF	PART NO.	DESCRIPTION	COMMENTS
1	00161	Grounding Clip	
2	00189	Female Spade Terminal	1/8 inch
3	00361	Female Piggyback Terminal	
4	58799	2 Circuit Connector	
5	00223	Female Spade Terminal	1/4 inch; (1) 18 gauge wire
	00121	Female Spade Terminal	1/4 inch; (2) 18 gauge wires or (1) 12 gauge wire
	00245	Spade Terminal	1/4 inch; (1) 22 gauge wire
6	00124	Female Spade Terminal	3/16 inch; (1) 18 gauge wire; .020 tab
	00156	Female Spade Terminal	3/16 inch; Thermostat wire; .032 tab
	00112	Female Spade Terminal	3/16 inch; .020 tab
7	00222	Female Spade Terminal	1/4 inch
8	00347	Terminal	
9	00115	Female Spade Terminal	1/4 inch; (1) 18 gauge wire
10	90789	Receptacle Housing	
11	00359	Insulated Female Spade Terminal	1/4 inch
	00165	Insulated Female Terminal	3/16 inch
12	00110	Ring Terminal	No. 10; (1) 18 gauge wire
	00111	Ring Terminal	No. 10; (2) 18 gauge wires or (1) 12 gauge wire
13	00114	Female Spade Terminal	1/4 inch; Double connector
14	00139	Male Tab Terminal	1/4 inch; (2) 18 gauge wires or (1) 12 gauge wire
15	00344	Female Tab Terminal	1/4 inch
16	26302	1 Circuit Plug	
	23033	9 Circuit Plug	
	23041	6 Circuit Plug	
17	26163	9 Circuit Receptacle	
	56855	12 Circuit Receptacle	
18	54522	Plug	
19	26301	1 Circuit Receptacle	
	26708	6 Circuit Receptacle	
20	00252	Terminal	
21	34596	10 Circuit Receptacle	
	D501333	12 Circuit Receptacle	
22	36170	3 Circuit Receptacle	

Terminals

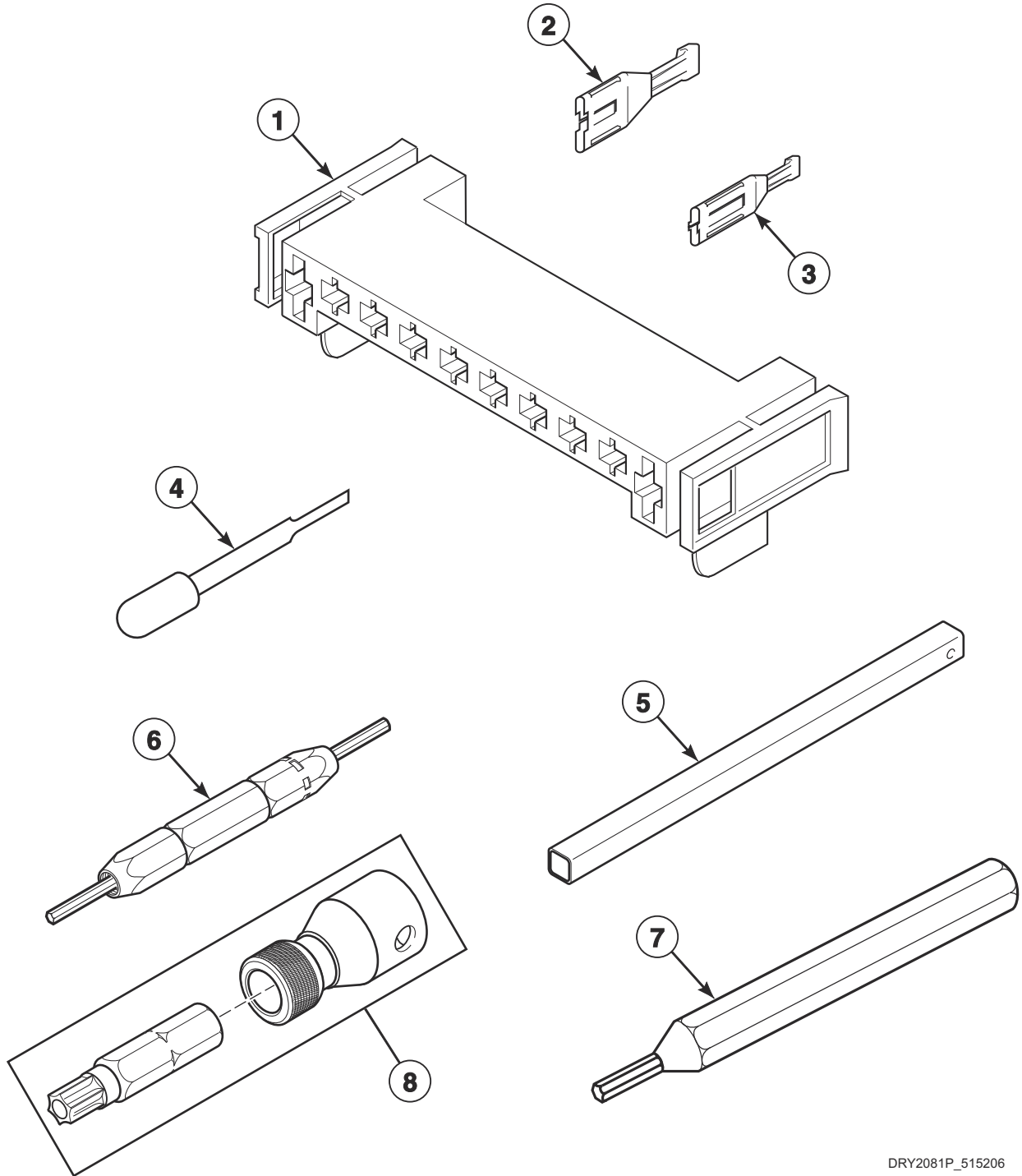


DRY1769P_515206

Terminals

REF	PART NO.	DESCRIPTION	COMMENTS
1	D504034	Wire Clip	11/16 inch
	687500	Wire Clip	1 inch
2	00360	Insulated Female Spade Terminal	(1) 12 gauge wire or (2) 18 gauge wires
3	00117	Female Pin Terminal	
4	56265	2 Circuit Receptacle	
	23039	3 Circuit Receptacle	
5	23040	Plug	
6	00116	Male Pin Terminal	
7	56451	2 Circuit Receptacle	
8	56448	2 Circuit Plug	
9	55881	Harness Strap	
10	00128	Female Pin Terminal	1/8 inch; 10-14 gauge wire
	00130	Female Pin Terminal	1/8 inch; 16-18 gauge wire
11	56266	2 Circuit Plug	
12	00129	Male Pin Terminal	.12 insulation diameter
	00127	Male Pin Terminal	.18 insulation diameter
13	58800	3 Circuit Connector	

Terminals and Terminal Extractor Tools

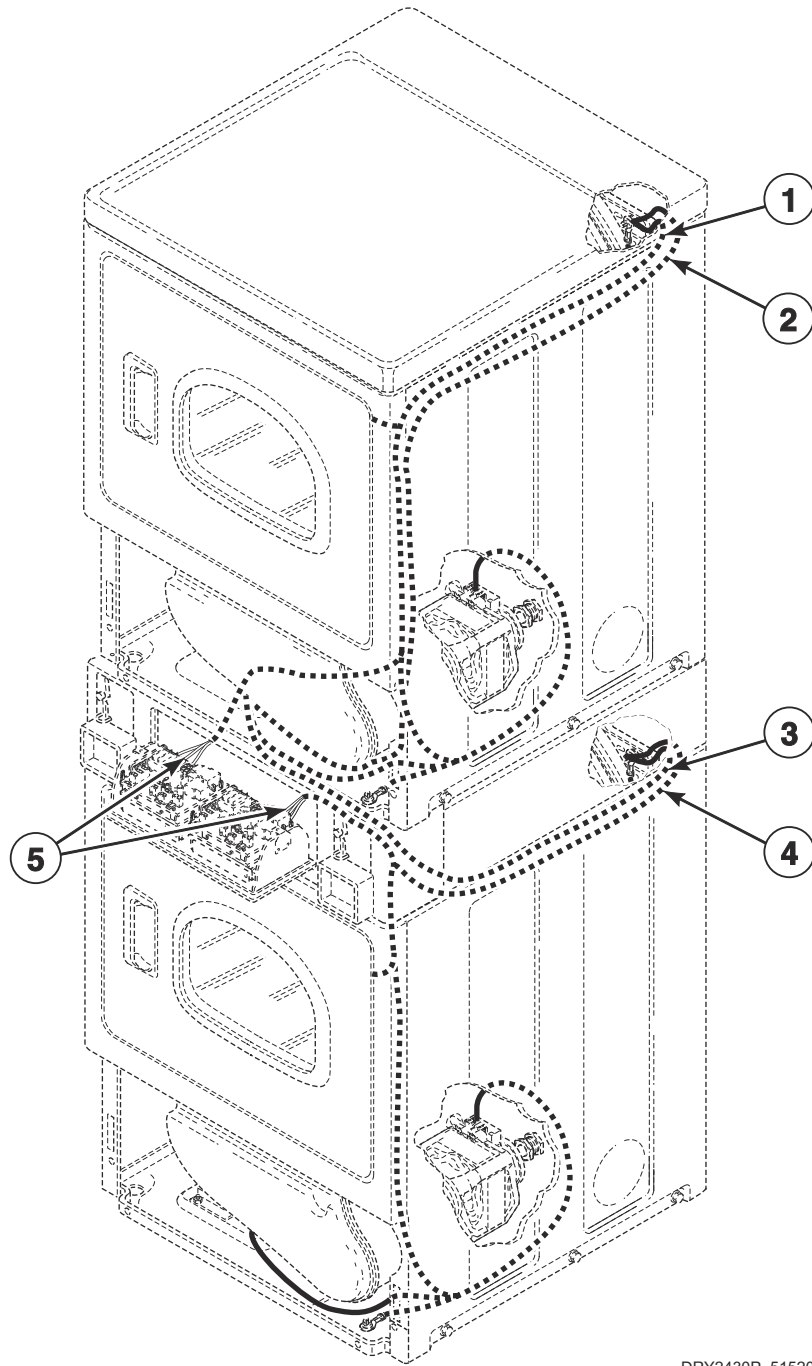


DRY2081P_515206

Terminals and Terminal Extractor Tools

REF	PART NO.	DESCRIPTION	COMMENTS
1	D500338	10 Position Housing	
2	00255	Female Terminal	1/4 inch; (1) 12 gauge wire
	00256	Female Terminal	1/4 inch; (1) or (2) 18 gauge wires
3	00188	Female Terminal	For 1 or 2 wire application
4	283P4	Terminal Extractor Tool	For use on Molex connectors
5	310P4	Ratchet Extension Tool	1/4 inch; For coin drop installation
6	190P4	Extractor Tool	For use on electric dryer terminals
7	128P4	Extractor Tool	For use on gas dryer terminals
8	281P4	Torx Bit	T15 Tamper Resistant Bit
	282P4	Torx Bit	Use with 62853 Screw on access panel; T25 Tamper Resistant Bit
	292P4	Torx Bit	T20 Standard Bit
	93501	Torx Drive Tool	T10 Standard Bit

Wire Harnesses and Wires - Gas Models



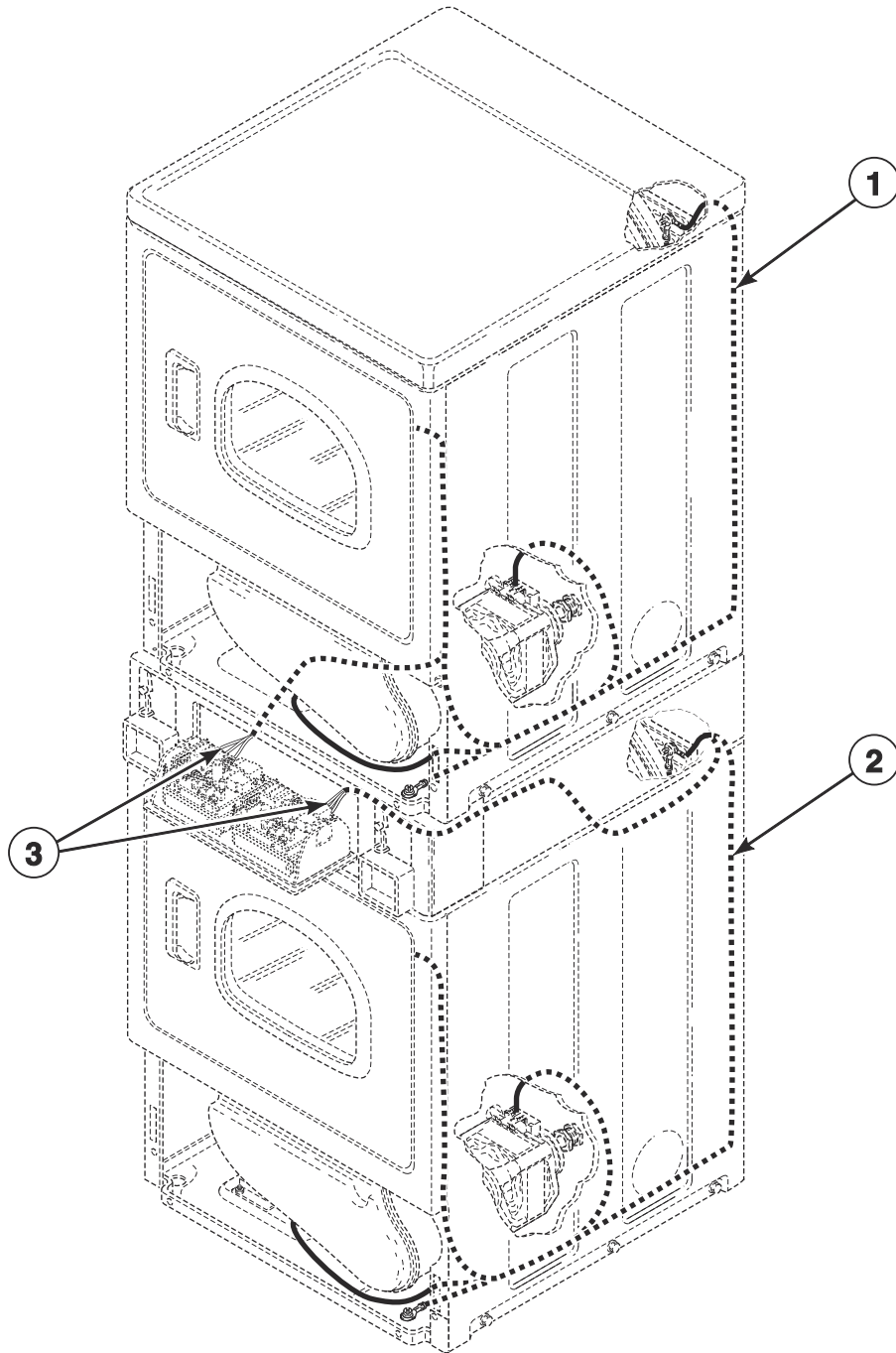
DRY2430P_515206

Wire Harnesses and Wires - Gas Models

REF	PART NO.	DESCRIPTION	COMMENTS
	45001	18 Gauge Wire	Black; Order wire by the foot; Order terminals and connectors as required
	45380	12 Gauge Wire	Orange; Order wire by the foot; Order terminals and connectors as required
1	D517094	Upper Gas Harness	Models HSGNXAGW093CW01, HSGNXAGW123DW01, HSGNXFGW093CW01, HSGNYAGW093CW01, SSGNEAGW093CW01, SSGNXAGW093CW01, SSGNXFGW093CW01, SSGNXAGW123DW01 and SSGNYAGW093CW01
	D513975	Upper Gas Harness	All other models
2	D514083	Gas Power Harness	Upper; Models HSGNXAGW093CW01, HSGNXFGW093CW01, HSGNYAGW093CW01, HSGNYFGW093CW01, SSGNEAGW093CW01, SSGNXAGW093CW01, SSGNXFGW093CW01 and SSGNYAGW093CW01
3	D514085	Power Harness	Lower; Models HSGNXAGW093CW01, HSGNXFGW093CW01, SSGNEAGW093CW01, SSGNXAGW093CW01 and SSGNXFGW093CW01
	D514085	Power Harness	Lower; Models HSGNYAGW093CW01, HSGNYFGW093CW01 and SSGNYAGW093CW01
4	D517095	Gas Harness	Lower; Models HSGNXAGW093CW01, HSGNXAGW123DW01, HSGNXFGW093CW01, HSGNYAGW093CW01, HSGNYFGW093CW01, SSGNEAGW093CW01, SSGNXAGW093CW01, SSGNXFGW093CW01, SSGNXAGW123DW01 and SSGNYAGW093CW01
	D513977	Gas Harness	Lower; All other models
5	D513991	Security Cabinet Harness	

NOTE: Individual wires are not available separately. Order complete harness, or order wire by the foot. When applying terminals to wires, it is recommended that the terminals be soldered to the wires.

Wire Harnesses and Wires - Electric Models



DRY2431P_515206

Wire Harnesses and Wires - Electric Models

REF	PART NO.	DESCRIPTION	COMMENTS
	45001	18 Gauge Wire	Black; Order wire by the foot; Order terminals and connectors as required
	45380	12 Gauge Wire	Orange; Order wire by the foot; Order terminals and connectors as required
1	D513968	Upper Electric Harness	Models HSENXAGW283CW01, HSENXAGW293CW01, HSENXAGW543DW01, HSENXFGW293CW01, HSENYAGW283CW01, HSENYAGW293CW01, HSENYFGW283CW01, JSEJEAGW303EW01, JSEJGAGW303EW01, JSEJXAGW303EW01, PSEJXAGS434AG01, SSENEAGW283CW01, SSENEAGW293CW01, SSENXAGW283CW01, SSENXAGW293CW01, SSENXAGW433AW01, SSENXAGW543DW01, SSENXFGW293CW01, SSENYAGW283CW01 and SSENYAGW293CW01
	D514044	Power Harness	Upper; Models HSENXAGW283CW01, HSENXAGW293CW01, HSENXFGW293CW01, HSENYAGW283CW01, HSENYAGW293CW01, HSENYFGW283CW01, SSENEAGW283CW01, SSENEAGW293CW01, SSENXAGW283CW01, SSENXAGW293CW01, SSENXFGW293CW01, SSENYAGW283CW01 and SSENYAGW293CW01
	D513976	Upper Harness	3 Phase; Models PS3JGAGS403UG01 and PS3JXAGS403UG01
2	D513970	Electric Harness	Models HSENXAGW283CW01, HSENXAGW293CW01, HSENXAGW543DW01, HSENXFGW293CW01, HSENYAGW283CW01, HSENYAGW293CW01, HSENYFGW283CW01, JSEJEAGW303EW01, JSEJGAGW303EW01, JSEJXAGW303EW01, PSEJXAGS434AG01, SSENEAGW283CW01, SSENEAGW293CW01, SSENXAGW283CW01, SSENXAGW293CW01, SSENXAGW433AW01, SSENXAGW543DW01, SSENXFGW293CW01, SSENYAGW283CW01 and SSENYAGW293CW01
	D514042	Power Harness	Lower; Models HSENXAGW283CW01, HSENXAGW293CW01, HSENXFGW293CW01, HSENYAGW283CW01, HSENYAGW293CW01, HSENYFGW283CW01, SSENEAGW283CW01, SSENEAGW293CW01, SSENXAGW283CW01, SSENXAGW293CW01, SSENXFGW293CW01, SSENYAGW283CW01 and SSENYAGW293CW01
	D513978	Lower Front Harness	3 Phase; Models PS3JGAGS403UG01 and PS3JXAGS403UG01
3	D513991	Security Cabinet Harness	

NOTE: Individual wires are not available separately. Order complete harness, or order wire by the foot. When applying terminals to wires, it is recommended that the terminals be soldered to the wires.

Parts Index

A

Access Panel Assembly	
D514250G	19
D514250WP	19
Access Panel Plate	
D510903	39
Adhesive	
D511637P	25, 27
Air Duct Assembly	
D510151W	25
D515805LG	25
Anti-Seize Compound	
27604P	21

B

Blower and Fan Kit	
D510717P	23
Blower Fan Assembly	
D510139P	21
Blower Housing	
D511969LG	21
D511969WP	21
Blower Housing Seal	
D510238P	21
Bolt	
29651	11
Booster and Holding Coil	
58804A	35
59063A	35
Bumper Pad	
56128	39
Burner Assembly	
D510149P	35

C

Cabinet Rear Panel	
D514632P	39
Cabinet Side Panel	
D510001DGP	39
D510001WP	39
D510002DGP	39
D510002WP	39
Card Insert Overlay	
D511548	13
D514391	13
Caution Label	
D500253	19
Clearance Warning Label	
D505984	39
Clip	
201572	9
Coin Drop	
38963P	7
70441601P	7

Coin Drop Assembly	
CK114	7
38462P	7
38463	7
38464P	7
38467	7
38472	7
38475	7
38519	7
38521	7
39157	7
70441602	7
Coin Drop Kit	
CK077	7
CK123	7
Coin Drop Wire Harness	
201104	9
Coin Identification Paper	
38725	9
Combustion Duct	
D510131	33
D510132	33
Connector, 2 Circuit	
58799	51
Connector, 3 Circuit	
58800	53
Contactora	
70482603	41
Contactora Bracket	
D511859	41
Control Assembly	
D515807P	5
D515809P	5
Control Overlay	
D514366	5
D514372	5
D514481	5
D514664	5
D514927	5
D514930	5
Control Panel	
803964	11
803964B	11
803964DG	11
805009	11
805545B	13
805545DG	13
Control Panel and Bracket Assembly	
D510076W	5
D513778B	5
D513778DG	5
D513778W	5
Conversion Kit	
756P3	29
Cylinder Assembly	
D510265LGP	25
D510265WP	25
Cylinder Baffle	
D510102LG	25
D510102W	25
Cylinder Belt	
D511255P	21

N/A items do not appear in index.

Cylinder Glide	
D513710	25
Cylinder Glide Bracket	
D510145	25
Cylinder Roller	
D510708P	27
Cylinder Roller Bracket	
D510100	27
Cylinder Seal Assembly	
D510207P	25, 27

D

Damper	
58786	39
Din Rail	
M412693	41
Directional Exhaust Kit	
528P3	39
Door and Liner Assembly	
D511636WP	15
Door Assembly	
D516737W	15
Door Catch Assembly	
D510177	19
Door Handle Wedge	
D510129W	15, 17
Door Liner Grill	
D503870LG	15
D503870W	15
Door Pull	
D512947	17
Door Pull and Wedge Kit	
D510103WP	15
Door Strike	
D510181	15, 17
Door Strike Mount	
D510127	15, 17
Drip Shield	
D514327	19
Dryer Base	
D514245	39
Dryer Door	
D510013DG	17
D510082WP	15
Dryer Door Window	
D503982P	15
Dual Coin Harness Assembly	
202871	7, 9
Dual Contactor Harness	
D514054	41
Dual Overlay	
39073	11

E

Elbow Shut-Off Valve	
D510205	35
Electric Harness	
D513970	59

Electrical Shock Label	
F8211201	25, 39
Electronic Coin Drop Assembly	
70294103P	9
70294104	9
70294106	9
70294107	9
70294110	9
70294111	9
70294117	9
70294122	9
70513311	9

Electronic Coin Drop Kit

CK099	9
CK100	9
CK101	9
CK103	9
CK108	9
CK109	9
CK110	9
CK113	9
CK115	9
CK116	9
CK117	9
CK118	9

End Stop

F8449801	41
----------------	----

Ethernet Gateway Kit

NK320	5
-------------	---

Exhaust Duct

D516196	39
---------------	----

Exhaust Warning Label

D500497	39
---------------	----

Expansion Clip

70030501	11, 13
----------------	--------

Extractor Tool

128P4	55
190P4	55

F

Felt Pad

D510189	25
---------------	----

Female Piggyback Terminal

00361	51
-------------	----

Female Pin Terminal

00117	53
00128	53
00130	53

Female Spade Terminal

00112	51
00114	51
00115	51
00121	51
00124	51
00156	51
00189	51
00222	51
00223	51

Female Tab Terminal

00344	51
-------------	----

Female Terminal

00188	55
00255	55
00256	55

N/A items do not appear in index.

Filter	
D514384P	49
Filter Harness	
D514036	49
D514037	49
D514040	49
804396	49
Flexible Venting Kit	
521P3	39
Front Bulkhead Assembly	
D510061	25
Front Panel	
D510066DG	19
D510066WP	19
Front Panel Assembly	
D513781WP	19
Front Panel Seal	
D511056	19

G

Gas Clearance Label	
D511004	39
Gas Harness	
D513977	57
D517095	57
Gas Power Harness	
D514083	57
Gas Valve Assembly	
D513631	35
59063P	35
60353P	35
Gas Valve Mounting Bracket	
D510128	35
D510333	35
Glide Kit	
RB170003	25
Graphic Overlay	
D514663	5
D515482	5
Ground Filter Harness	
D514038	49
D514039	49
Grounding Clip	
00161	51

H

Harness Strap	
55881	53
Heat Duct Shroud	
D510101	33
Heater	
D511014P	29
Heater Assembly	
D510324P	31
D510326P	31
D510327P	31
D510329P	31
D510330P	31
Heater Duct Assembly	
D510025P	29, 31, 33

D514476	31
Heater Harness	
D514002	41
Heater Kit	
964P3	31
965P3	31
Heater Kit Assembly	
61927	31
61929	31
61930	31
Hinge	
D511036	15, 17
Hinge Hole Plug	
D510186	19
Hold Down Kit	
526P3	39
Housing, 10 Position	
D500338	55

I

Idler Lever	
D516310	23
Idler Lever and Wheel Assembly	
D516792	23
Idler Spring	
D510185	23
Idler Wheel and Bearing Assembly	
D510142P	23
Igniter and Bracket Assembly	
D510184P	35
Insulated Female Spade Terminal	
00359	51
00360	53
Insulated Female Terminal	
00165	51

J

Jumper Wire Assembly	
D511270	29
Junction Box Assembly	
D514389P	47
D514390	47
D514394P	47
D516152	47
D516153	47
D516154	47
Junction Box Cover	
D514363	47
Junction Box Seal	
D514379P	47

K

Key	
54612	5

N/A items do not appear in index.

L

Lead-In Cord	
D514061	45
202926	45
203208	45
203315	45
203344	45
Lead-In Cord Assembly	
D503597	45
D506106	45
Lead-In Cord Kit	
61605P	45
Lead-In Pipe Assembly	
D510204	35
Leveling Leg	
D510135	39
Limit Thermostat	
D510701	29, 31
D510702	33
Line Filter	
804844	49
804864	49
Liner and Seal Assembly	
D510098W	15
Liner Door Seal	
D510147P	15, 17
Liner, Seal and Grill Assembly	
D510163WP	17
Lint Filter	
D503980LG	25
D503980W	25
Lint Filter Label	
D502781	19
Lock Cam	
27261	5
804338	5
Lock Kit	
27260P	5
Lower Front Harness	
D513978	59
L.P. Conversion Kit	
458P3	35
599P3	35
649P3	35
L.P. Orifice	
D503786	37
D58755	37

M

Machine ID Control Assembly	
203361P	5
Male Pin Terminal	
00116	53
00127	53
00129	53
Male Tab Terminal	
00139	51
Meter Case Assembly	
807254DG	11
807396B	11

N/A items do not appear in index.

807396W	11
Motor and Pulley Assembly	
D505843P	21
D505869P	21
D511629P	21
Motor Hub Ring Kit	
590P3	21
Motor Mount	
D510060	23
Motor Mount Clamp	
D510180	21
Motor Pulley	
D500011	21
D500222	21
Motor Shield	
D514602	21
Mounting Tool Kit	
CK096	9

N

Network Controller Kit	
NK220	5
Network Retrofit Kit	
203328	5
Nut	
201216	9
28447	27
29786	7
29787	49
44071201	15
44087201	11
52566	23
56156	23, 27
N.G. Conversion Kit	
459P3	35
650P3	35
N.G. Orifice	
D503776	37
D503778	37
D503779	37
D503780	37
D503781	37
D510517	37

O

Outlet Cover	
D500820	29, 31, 33
D515573	29, 31, 33
Output Board Shield	
D514420	39
Output Control Assembly	
D513797P	39
D517269	39
Overlay	
D514873	13
201091	11

P

Panel Locator	
56079	19, 39
Pinch Warning Label	
F8615701	25
Plug	
23040	53
54522	51
Plug, 1 Circuit	
26302	51
Plug, 2 Circuit	
56266	53
56448	53
Plug, 6 Circuit	
23041	51
Plug, 9 Circuit	
23033	51
Porcelain Touch-Up Paint	
122P4P	39
Power Cord Assembly	
203119	45
58992	45
Power Harness	
D514000	41
D514042	59
D514044	59
D514085	57

R

Ratchet Extension Tool	
310P4	55
Rear Access Panel	
803998	11, 13
Rear Bulkhead Assembly	
D511082P	27
Receptacle Housing	
90789	51
Receptacle, 1 Circuit	
26301	51
Receptacle, 10 Circuit	
34596	51
Receptacle, 12 Circuit	
D501333	51
56855	51
Receptacle, 2 Circuit	
56265	53
56451	53
Receptacle, 3 Circuit	
23039	53
36170	51
Receptacle, 6 Circuit	
26708	51
Receptacle, 9 Circuit	
26163	51
Retaining Ring	
23748	23, 27
Ring Terminal	
00110	51
00111	51

Roller Kit	
RB170002	27
Rubber Foot	
D501855	39

S

Screw	
D500226	15
D500824	23
D501285	25, 27
D501524	5
D502535	23
D503661	43
D503688	5, 11, 13, 19, 21, 25, 27, 29, 31, 33, 35, 39, 41, 43, 47, 49
D505295	15, 17, 25
D505870	15
D514428	39
20530	45
23222	29, 31, 35
28448	27
31260	21
33562	19
36048	43
39733	19, 39
500226	15
51782	33, 35
52864	25
56124	35
61199	27
62588	25
62853	19
70240301	11, 13
804667	39
Screw Orifice	
58719	37
Seal Kit	
RB170001	25, 27
Secondary Coil	
58804B	35
59063B	35
Security Cabinet Front Assembly	
D511208W	13
804147WP	13
Security Cabinet Harness	
D513991	57, 59
Sensor	
D510213	35
Shaft	
56461P	23, 27
Shield Bracket	
8040118	5
Single Drop Overlay	
803476	11
Single Overlay	
38717	11
Spade Terminal	
00245	51
Speed Clip	
28835	19
Strain Relief	
52113	45
52151	45
60298	45

N/A items do not appear in index.

Strain Relief Adapter D502496	45
Strain Relief Connector D511628	45
Switch D512973	11, 19

T

Terminal 00252	51
00347	51
Terminal Block Assembly D510190P	27
Terminal Block Shield D510237	27
D514330	27
Terminal Extractor Tool 283P4	55
Thermal Fuse Assembly D511412	29, 31
Thermistor Assembly D502366	23
D510523	23
Thermostat D510703	33
Thermostat Shield D514325	21
Top Hinge D510136	43
Top Kit D510032WP	43
Top Panel D510032DG	43
Torx Bit 281P4	55
282P4	55
292P4	55
Torx Drive Tool 93501	55
Transformer D513763P	41
202757	5
202758	5
Transformer Harness D514069	5
D514072	5
Transformer Shield D514334	41

U

Upper Electric Harness D513968	59
Upper Gas Harness D513975	57
D517094	57
Upper Harness D513976	59
USB Gateway Kit NK330	5

USB IR Interface Kit 203346	5
--------------------------------------	---

V

Valve Assembly 60443P	35
--------------------------------	----

W

Warning Label D514226	19
Warning/Caution Label D500281	19
Washer D501307	43
D504082	27
28449	27
52549	23, 27
Window Clip D513958	15
Window Trim D503981W	15
Wire Assembly D510527	31
D510528	31
Wire Clip D504034	53
687500	53
Wire Guard 201595P	7
Wireless Network Kit 203889	5
204689	5
Wire, 12 Gauge 45380	57, 59
Wire, 18 Gauge 45001	57, 59
Wiring Harness Assembly 202868	5
Wrapper and Channel Assembly D505753WP	11, 13
Wrapper Assembly 804104DG	11, 13
804104W	11, 13
804112W	13

N/A items do not appear in index.