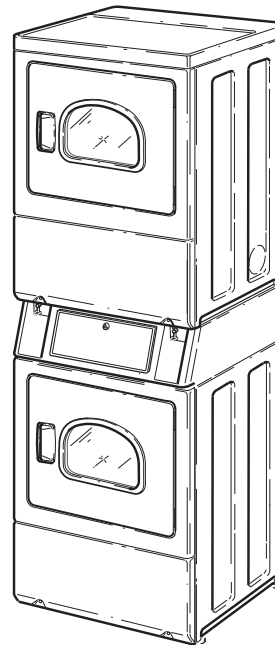
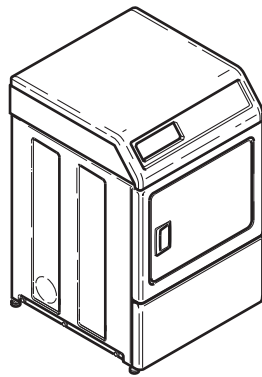
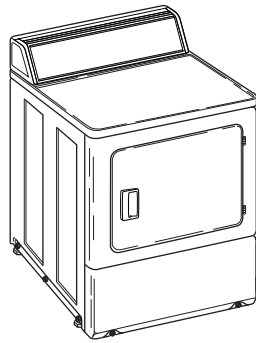


# Homestyle Dryers

Refer to Page 6 for Model Numbers



DRY726C



# Table of Contents

<b>Section 1 – Safety Information</b>	
Locating an Authorized Servicer .....	4
<b>Section 2 – Introduction</b>	
Customer Service .....	5
Nameplate Location .....	5
Model Identification .....	6
How Your Dryer Works .....	7
<b>Section 3 – Troubleshooting</b>	
1. Dryer Motor Does Not Run .....	9
2. Dryer Stops in Cycle; Quits After the First Few Loads; Has a Burning Smell; Cycles On Motor Thermal Protector .....	11
3. Dryer Motor Runs But Cylinder Does Not Turn .....	12
4. Dryer Motor Does Not Stop .....	13
5. Dryer Runs Only When Door is Open .....	14
6. Dryer Heating Assembly Does Not Heat or Burner Does Not Ignite .....	15
7. Igniter Does Not Glow (Gas Supply Sufficient) – Gas Dryer Models .....	17
8. Burner Ignites and Goes Out Repeatedly – Gas Dryer Models .....	18
9. Igniter Glows But Burner Does Not Ignite – Gas Dryer Models .....	19
10. Dryer Heater Assembly or Burner Shuts Off Prematurely .....	20
11. Dryer Heater Assembly or Burner Repeatedly Cycles Off On Limit Thermostat .....	21
12. Dryer Heater Assembly or Burner Does Not Shut Off .....	23
13. Clothes Do Not Dry in Dryer .....	24
14. Timer/Electronic Control Does Not Advance in Automatic Cycle .....	25
15. Clothes Are Too Hot When Removed From Dryer .....	26
16. Excessive Chattering or Vibrating Noise in Dryer .....	27
17. Excessive Humming or Whistling Noise in Dryer .....	28
<b>Section 4 – Error Codes</b>	
<b>Section 5 – Adjustments</b>	
18. Leveling Legs .....	31
19. Burner Flame (Gas Models) .....	32

© Copyright 2018 Alliance Laundry Systems LLC

All rights reserved. No part of the contents of this book may be reproduced or transmitted in any form or by any means without the expressed written consent of the publisher.

## **Section 6 – Test Procedures**

20. Timer Contacts .....	34
21. Fabric Selector Switch .....	35
22. Drive Motor .....	36
23. Motor Switch .....	39
24. Burner System Operation .....	41
25. Electrical Circuit To Ignition System (Gas Models) .....	42
26. Gas Valve Coils Check (Gas Models) .....	42
27. Sensor Check (Gas Models) .....	43
28. Igniter Check (Gas Models) .....	43
29. Thermal Fuse (Electric Models) .....	43
30. Heater Assembly (Electric Models) .....	44
31. Cycling or Limit Thermostat .....	44
32. Door Switch .....	44

## **Section 7 – Internal Wiring of Dryer Motor Switch**

# Section 1

## Safety Information

Throughout this manual and on machine decals, you will find precautionary statements (“CAUTION,” “WARNING” and “DANGER”) followed by specific instructions. These precautions are intended for the personal safety of the operator, user, servicer, and those maintaining the machine.

### DANGER

Danger indicates an imminently hazardous situation that, if not avoided, will cause severe personal injury or death.

### WARNING

Warning indicates a hazardous situation that, if not avoided, could cause severe personal injury or death.

### CAUTION

Caution indicates a hazardous situation that, if not avoided, may cause minor or moderate personal injury or property damage.

Additional precautionary statements (“IMPORTANT” and “NOTE”) are followed by specific instructions.


### IMPORTANT

The word “IMPORTANT” is used to inform the reader of specific procedures where minor machine damage will occur if the procedure is not followed.

### NOTE

The word “NOTE” is used to communicate installation, operation, maintenance or servicing information that is important but not hazard related.

In the interest of safety, some general precautions relating to the operation of this machine follow.

	<h2>WARNING</h2>
<ul style="list-style-type: none"><li>• <b>Failure to install, maintain, and/or operate this machine according to the manufacturer’s instructions may result in conditions which can produce serious injury, death and/or property damage.</b></li><li>• <b>Do not repair or replace any part of the machine or attempt any servicing unless specifically recommended or published in this Service Manual and that you understand and have the skills to carry out.</b></li><li>• <b>Whenever ground wires are removed during servicing, these ground wires must be reconnected to ensure that the machine is properly grounded and to reduce the risk of fire, electric shock, serious injury, or death.</b></li></ul>	
<small>W284</small>	



## WARNING

To reduce the risk of electric shock, fire, explosion, serious injury or death:

- Disconnect electric power to the dryer(s) before servicing.
- Close gas shut-off valve to gas dryer(s) before servicing.
- Never start the dryer(s) with any guards/panels removed.
- Whenever ground wires are removed during servicing, these ground wires must be reconnected to ensure that the dryer is properly grounded.

W001R1



## WARNING

Repairs that are made to your products by unqualified persons can result in hazards due to improper assembly or adjustments subjecting you, or the inexperienced person making such repairs, to the risk of serious injury, electrical shock, or death.

W007



## WARNING

If you or an unqualified person perform service on your machine, you must assume the responsibility for any personal injury or property damage which may result. The manufacturer will not be responsible for any injury or property damage arising from improper service and/or service procedures.

W286

**NOTE: The WARNINGS and IMPORTANT INSTRUCTIONS appearing in this manual are not meant to cover all possible conditions and situations that may occur. Common sense, caution and care must be exercised when installing, maintaining or operating the machine.**

Always contact your dealer, distributor, service agent or the manufacturer about any problems or conditions you do not understand.

## Locating an Authorized Servicer

Alliance Laundry Systems is not responsible for personal injury or property damage resulting from improper service. Review all service information before beginning repairs.

Warranty service must be performed by an authorized technician, using authorized factory parts. If service is required after the warranty expires, Alliance Laundry Systems also recommends contacting an authorized technician and using authorized factory parts.

# Section 2

## Introduction

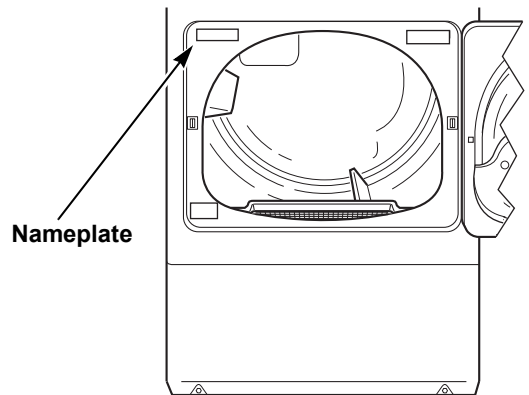
### Customer Service

If literature or replacement parts are required, contact the source from whom the machine was purchased or contact Alliance Laundry Systems at +1 (920) 748-3950 for the name and address of the nearest authorized parts distributor.

For technical assistance, call +1 (920) 748-3121.

### Nameplate Location

When calling or writing about your product, be sure to mention model and serial numbers. Model and serial numbers are located on nameplate(s) as shown.



DRY2527N

## Section 2 Introduction

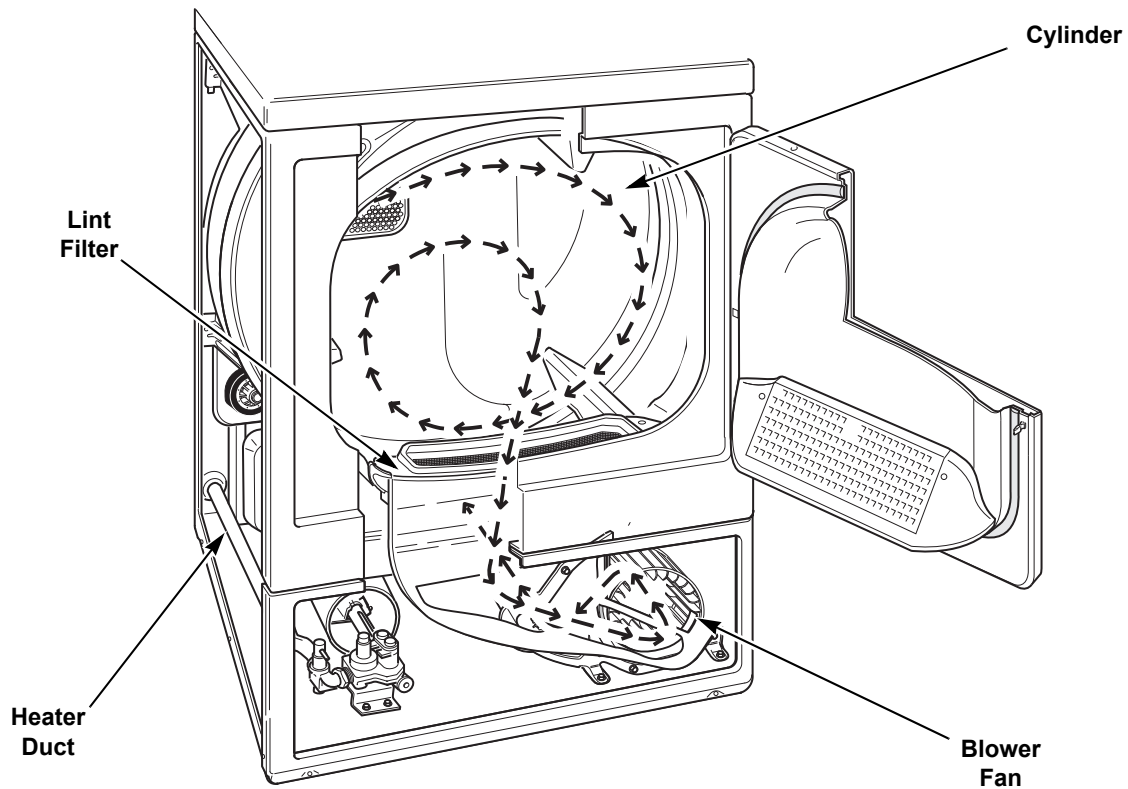
### Model Identification

Information in this manual is applicable to these dryers:

BDEE6BGS173CW01	LDGE5BGS113CW01	LSEE5AGW283CW01	PDGE4RGS113TG01
BDEE6BGS173TW01	LDGE5BGS113FW01	LSEE5AGW293CW01	PDGE4RGS113TW01
BDGE6BGS113CW01	LDGE5BGS113TW01	LSGA5FGS113TW01	PDGE4RGS303AG01
BDGE6BGS113TW01	LDGE7RGS113CW01	LSGE5AGS083NW01	UDEE5BGS173CW01
FDLE7RGS403UW01	LDGE7RGS113FW01	LSGE5AGS103NW01	UDEE5BGS173CW08
FDLE7RGS303NW26	LDGE7RGS303EW01	LSGE5AGS113TW01	UDGE5BGS113TW01
LDE30RGS543FW28	LDGE7RGS303EW80	LSGE5AGW093CW01	YDEE5BGS173CW01
LDEA5RGS173TW01	LDGE7RSS303UW01	LSGE5AGW113TW01	YDEE7RGS153CW01
LDEA5RGS173TW04	LDGE7RWS113TQ01	LSLE5AGS303LW01	YDEE7RGS153TW01
LDEE5BGS153TW01	LDGE7RWS113TW01	LSLE5AGS303LW26	YDEE7RGS173CW01
LDEE5BGS173CW01	LDGE7RWS303UW01	LSLE5AGS303NW22	YDEE7RGS173TW01
LDEE5BGS173TW01	LDLE5BGS303NW26	LSLE5AGS303NW35	YDEE7RGS303EW01
LDEE5BGS303ZW30	LDLE5RGS303NW35	LSLE5AGW543NW23	YDEE7RGS303UW01
LDEE5BGS543FW01	LDLE5RGS303UW01	LSLE5AGW543ZW01	YDEE7RGS403UW01
LDEE5RGS453UW01	LDLE7RGS303LW01	PDEE4RGS173CG01	YDGE5BGS113CW01
LDEE7RGS153CW01	LDLE7RGS303LW26	PDEE4RGS173CW01	YDGE7RGS113CW01
LDEE7RGS173CW01	LDLE7RWS303NW26	PDEE4RGS173TG01	YDGE7RGS113TW01
LDEE7RGS303EW01	LSEA5FGS153TW01	PDEE4RGS173TW01	YDGE7RGS303EW01
LDEE7RGS303UW01	LSEA5FGS153TW04	PDEE4RGS433AG01	YDLE7RGS303NW26
LDEE7RGS403UW01	LSEA5FGS173TW01	PDGE3BGS113CG01	YSEE5AGS153TW01
LDEE7RGS453UW01	LSEA5FGS173TW04	PDGE3BGS113CW01	YSEE5AGS173TW01
LDEE7RGS543FW01	LSEE5AGS153TW01	PDGE3BGS113TG01	YSGE5AGS113TW01
LDEE7RWS173TW01	LSEE5AGS173TW01	PDGE3BGS113TW01	
LDG30RGS113FW28	LSEE5AGW153TW01	PDGE4RGS113CG01	
LDGA5RGS113TW01	LSEE5AGW173TW01	PDGE4RGS113CW01	



## How Your Dryer Works



DRY1819S

The dryer uses heated air to dry loads of laundry. When the motor is started, the exhaust fan pulls room temperature air in through louvers at the rear of the dryer and over the heat source (burner flame for gas and heating element for electric). The heated air moves through the heater duct and into the cylinder, where it circulates through the wet load. The air then passes through the lint filter, air duct, and exhaust fan, where it is vented to the outdoors.

# Section 3

## Troubleshooting



### WARNING

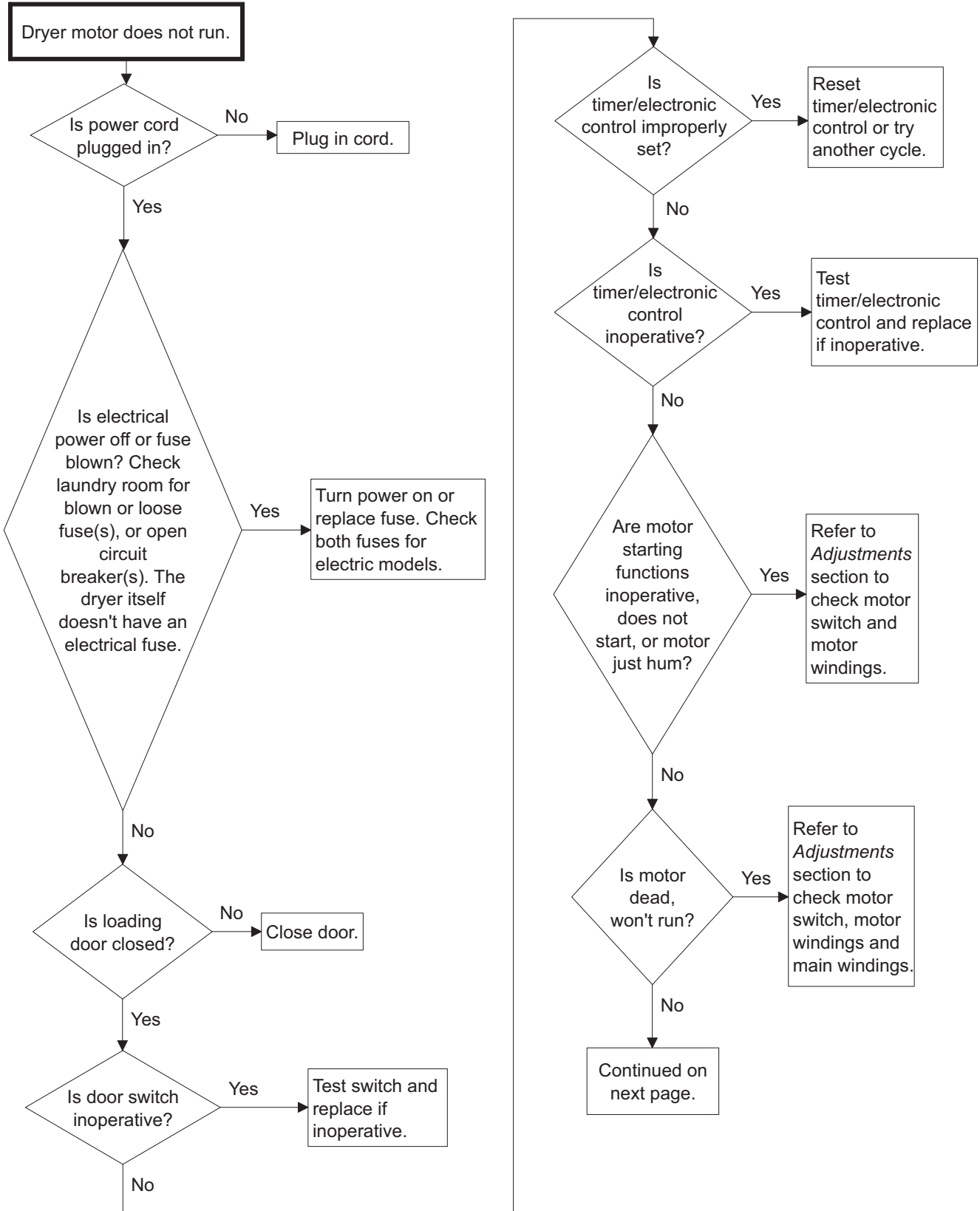
To reduce the risk of electric shock, fire, explosion, serious injury or death:

- Disconnect electric power to the dryer(s) before servicing.
- Close gas shut-off valve to gas dryer(s) before servicing.
- Never start the dryer(s) with any guards/panels removed.
- Whenever ground wires are removed during servicing, these ground wires must be reconnected to ensure that the dryer is properly grounded.

W001R1

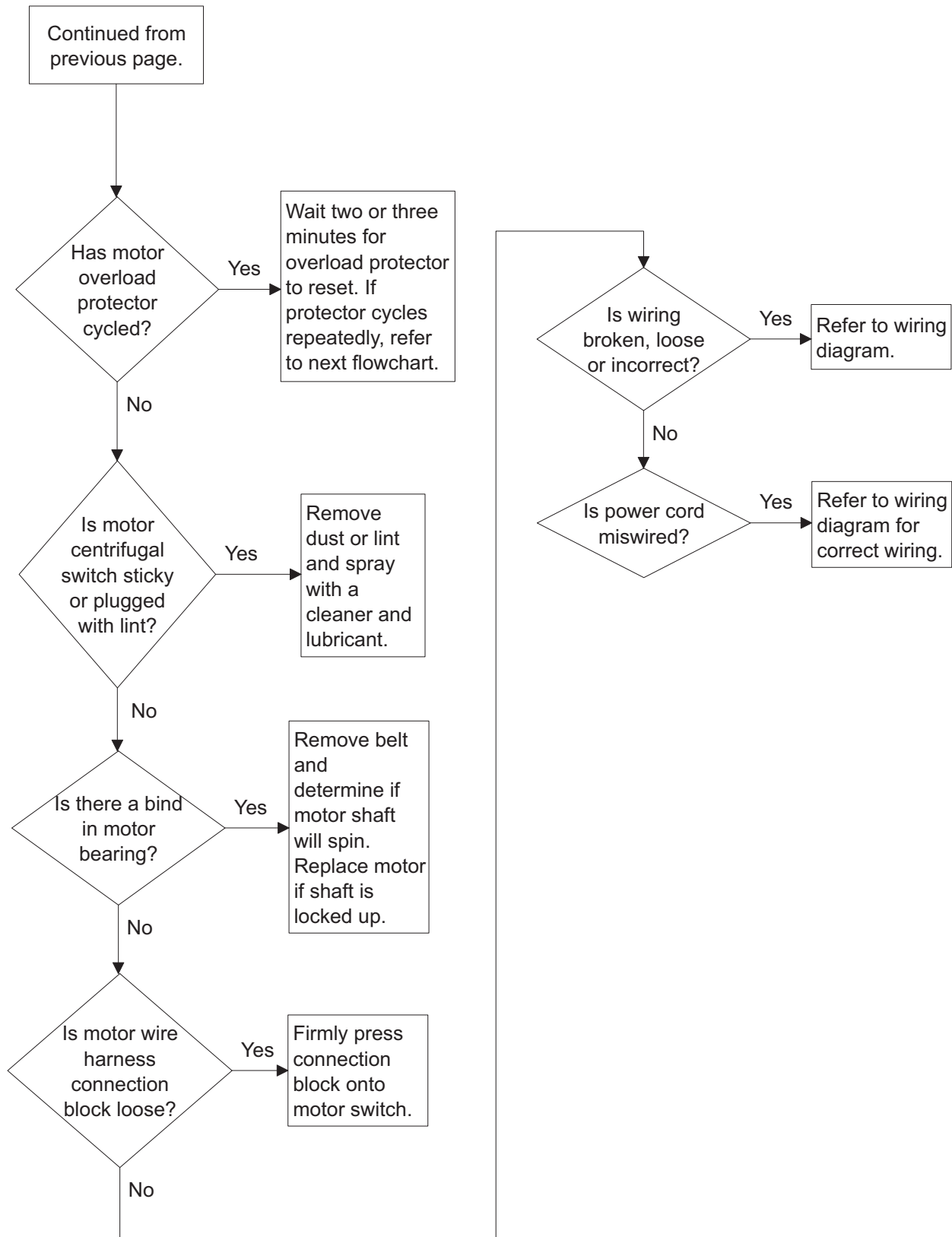
**IMPORTANT:** Refer to wiring diagram for aid in testing dryer components.

1. DRYER MOTOR DOES NOT RUN



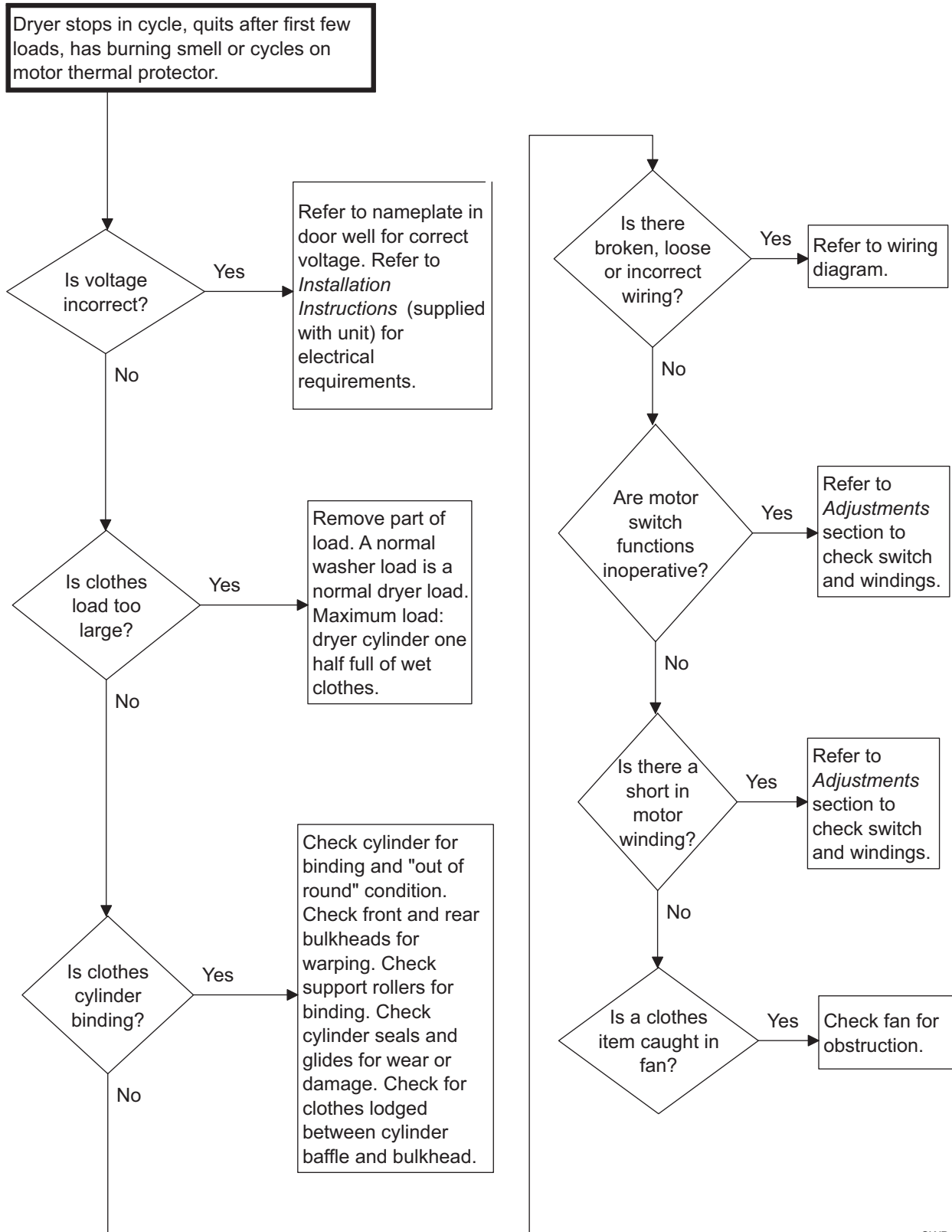
SWD1706S-a

DRYER MOTOR DOES NOT RUN (CONTINUED)



SWD1706S-b

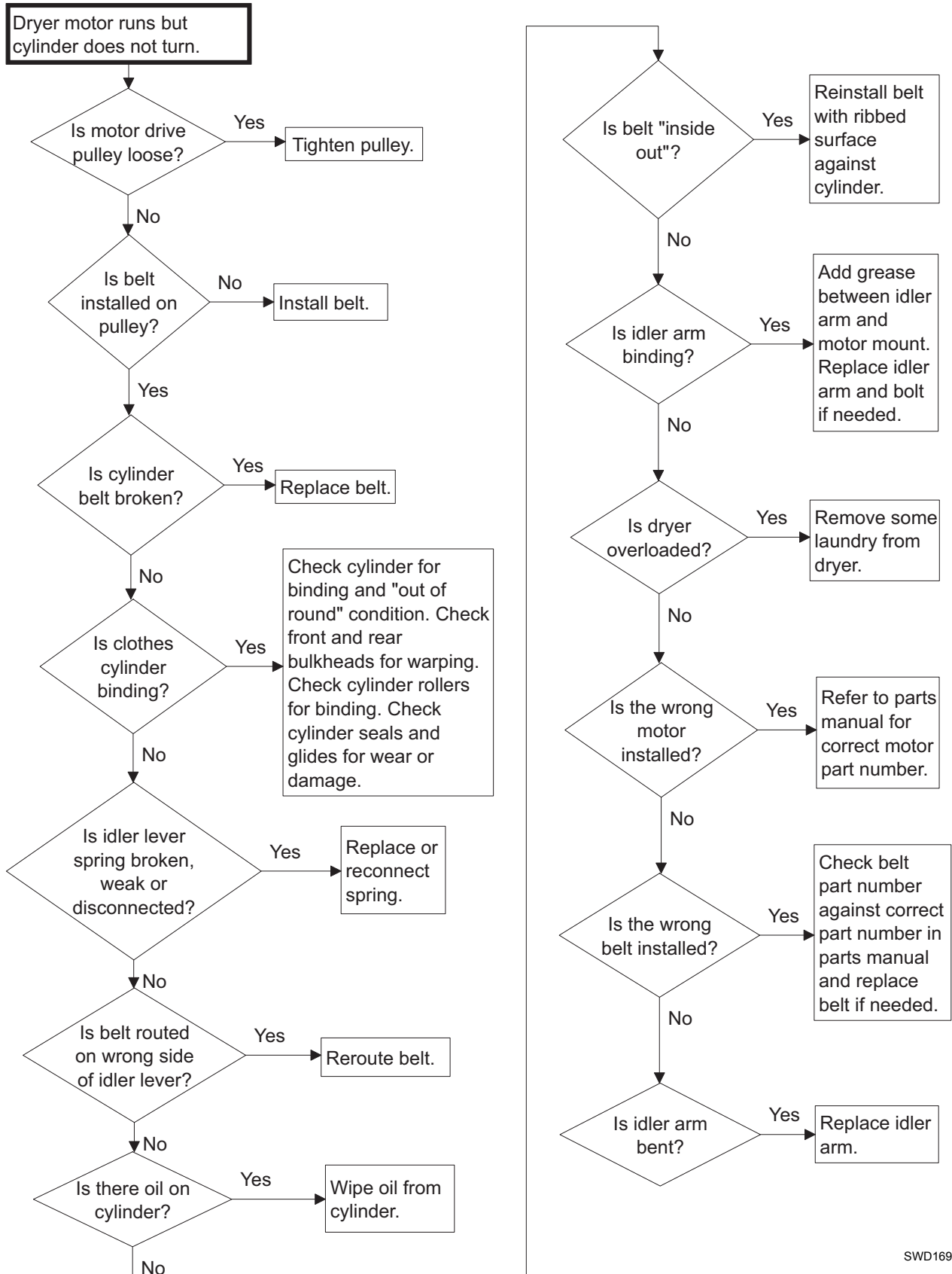
**2. DRYER STOPS IN CYCLE; QUILTS AFTER THE FIRST FEW LOADS; HAS A BURNING SMELL; CYCLES ON MOTOR THERMAL PROTECTOR**



SWD1690S

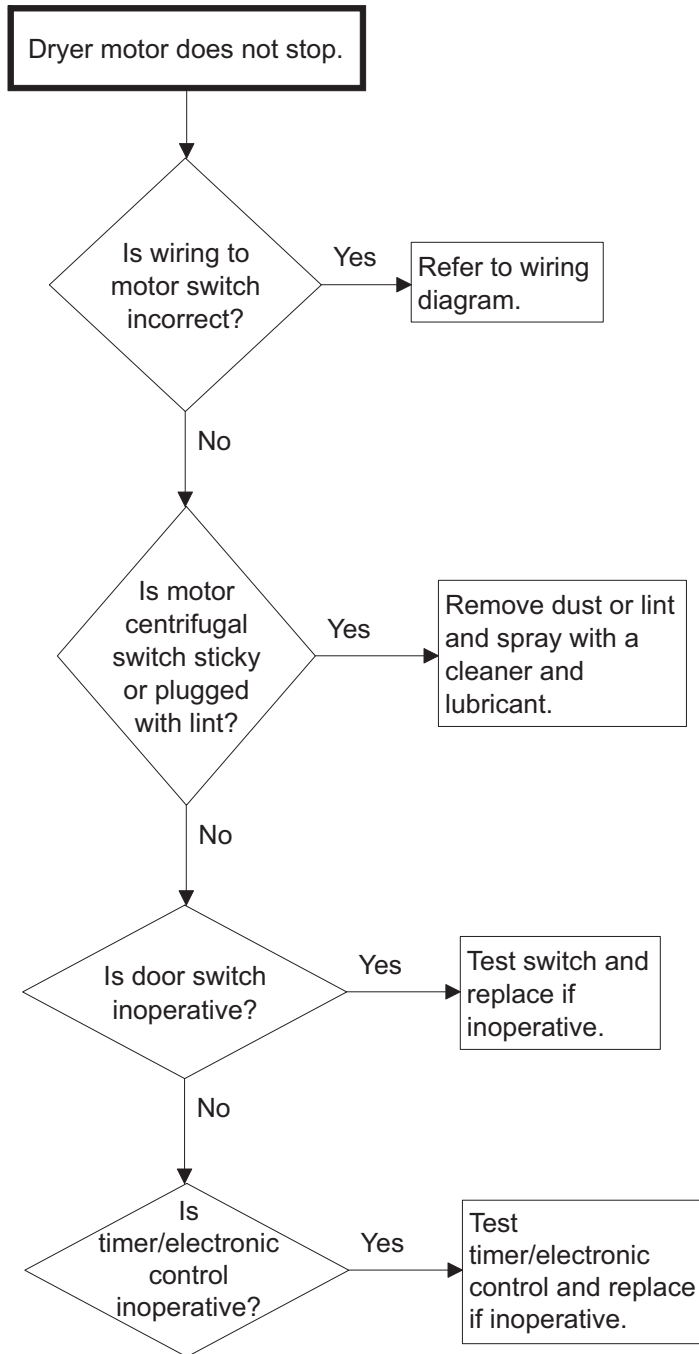
Section 3 Troubleshooting

3. DRYER MOTOR RUNS BUT CYLINDER DOES NOT TURN



SWD1691S

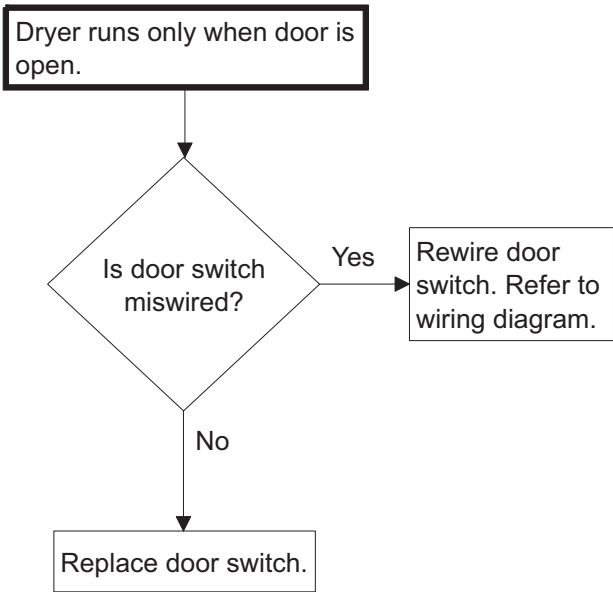
4. DRYER MOTOR DOES NOT STOP



SWD1707S

Section 3 Troubleshooting

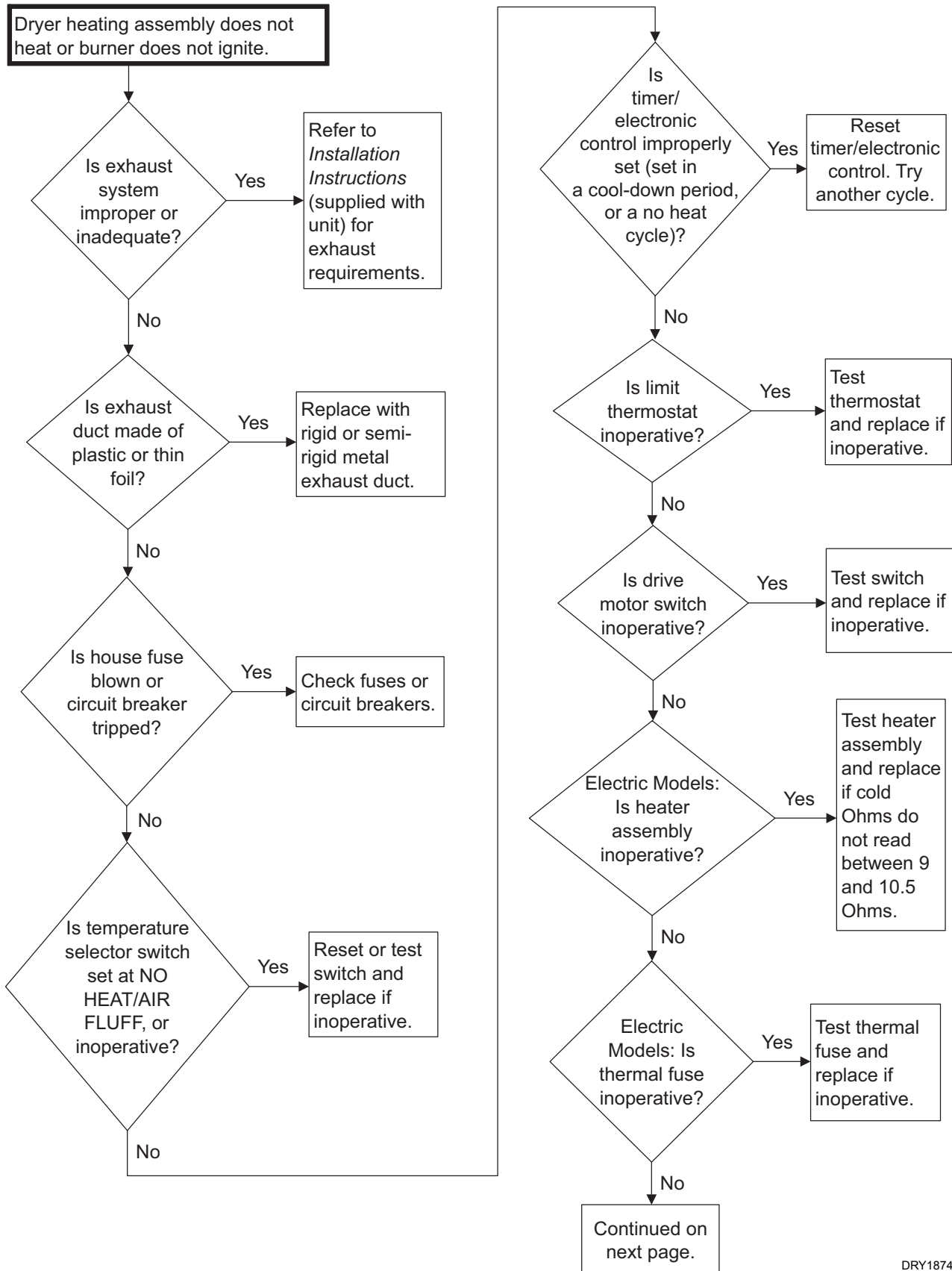
5. DRYER RUNS ONLY WHEN DOOR IS OPEN



SWD1693S



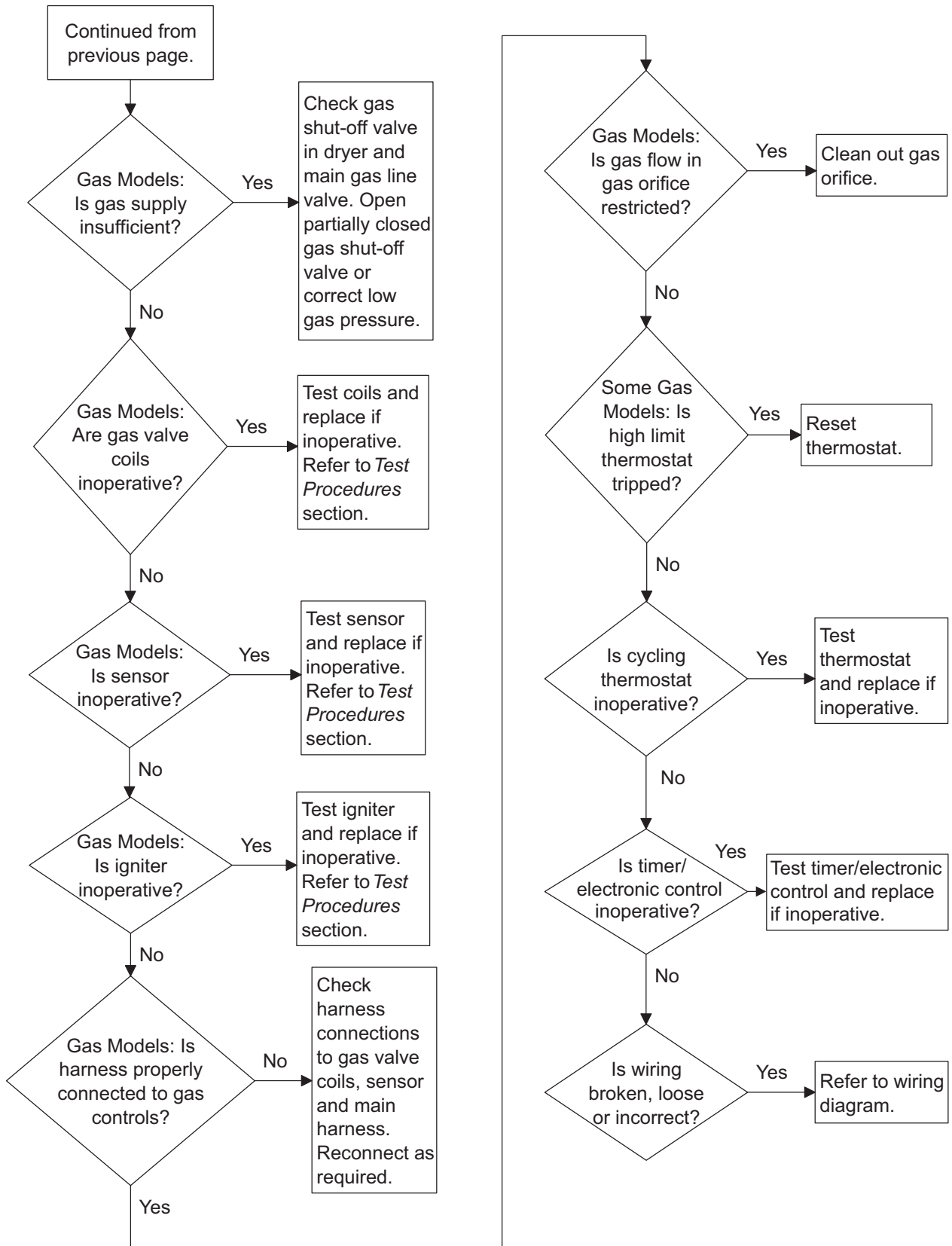
6. DRYER HEATING ASSEMBLY DOES NOT HEAT OR BURNER DOES NOT IGNITE



DRY1874S

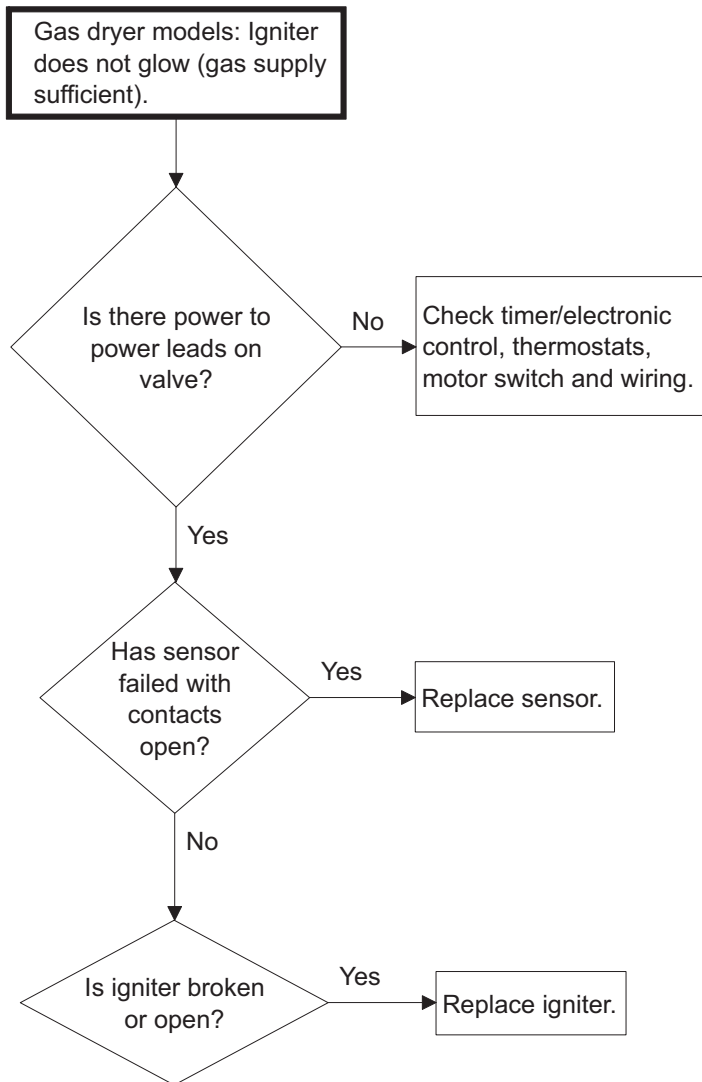
Section 3 Troubleshooting

DRYER HEATING ASSEMBLY DOES NOT HEAT OR BURNER DOES NOT IGNITE  
(CONTINUED)



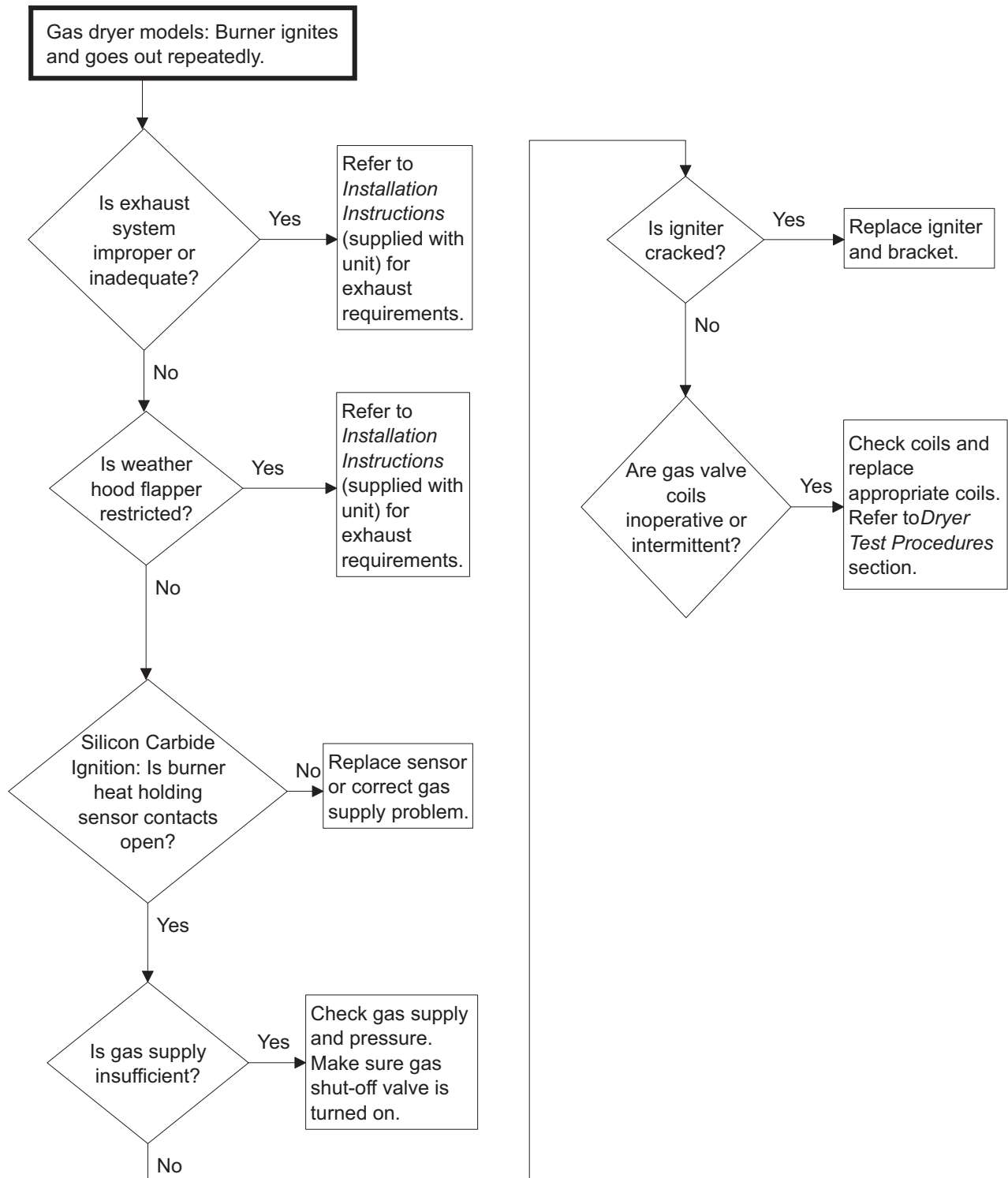
DRY1874S\_a

7. IGNITER DOES NOT GLOW (GAS SUPPLY SUFFICIENT) – GAS DRYER MODELS



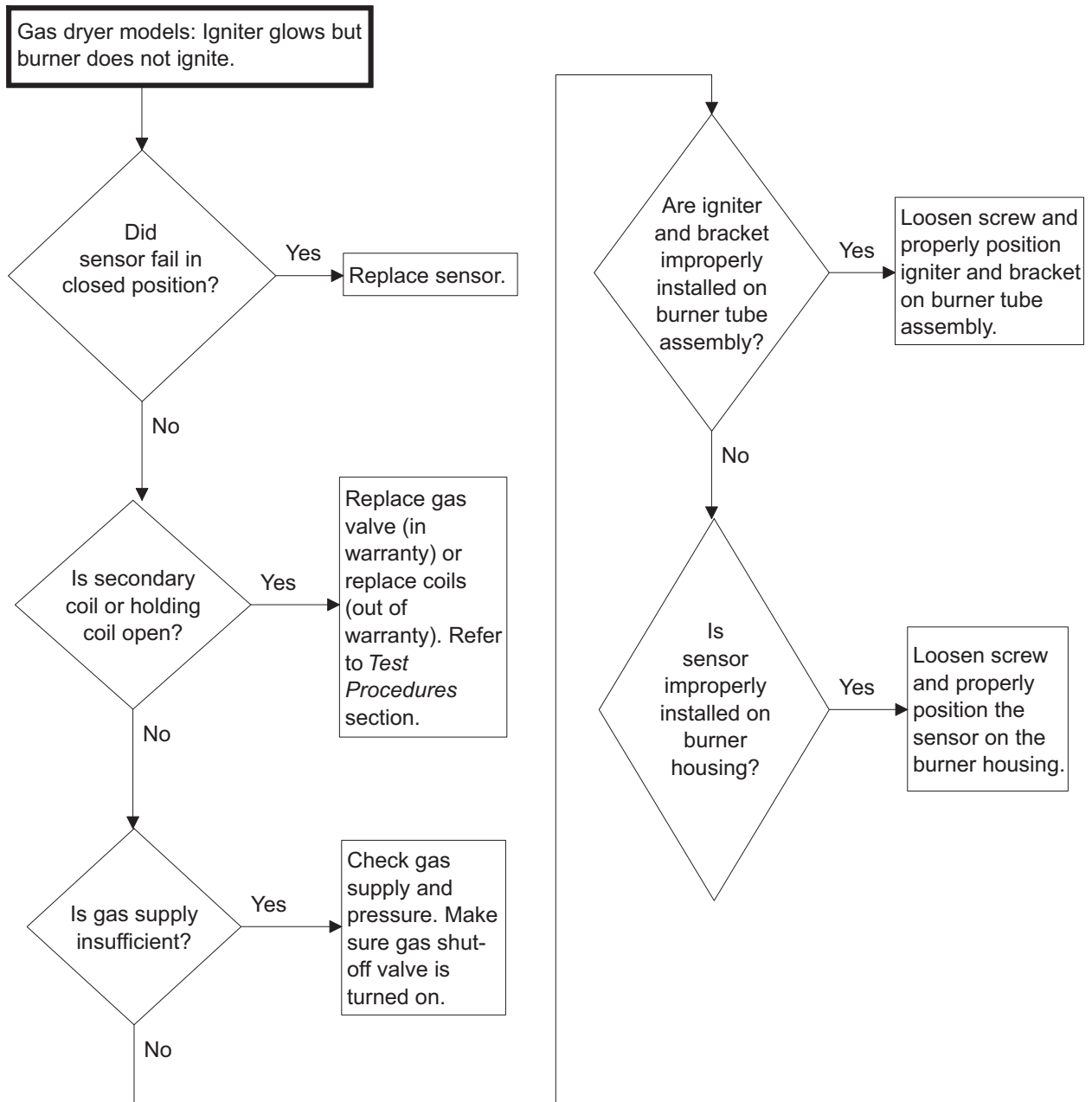
Section 3 Troubleshooting

8. BURNER IGNITES AND GOES OUT REPEATEDLY – GAS DRYER MODELS



DRY1868S

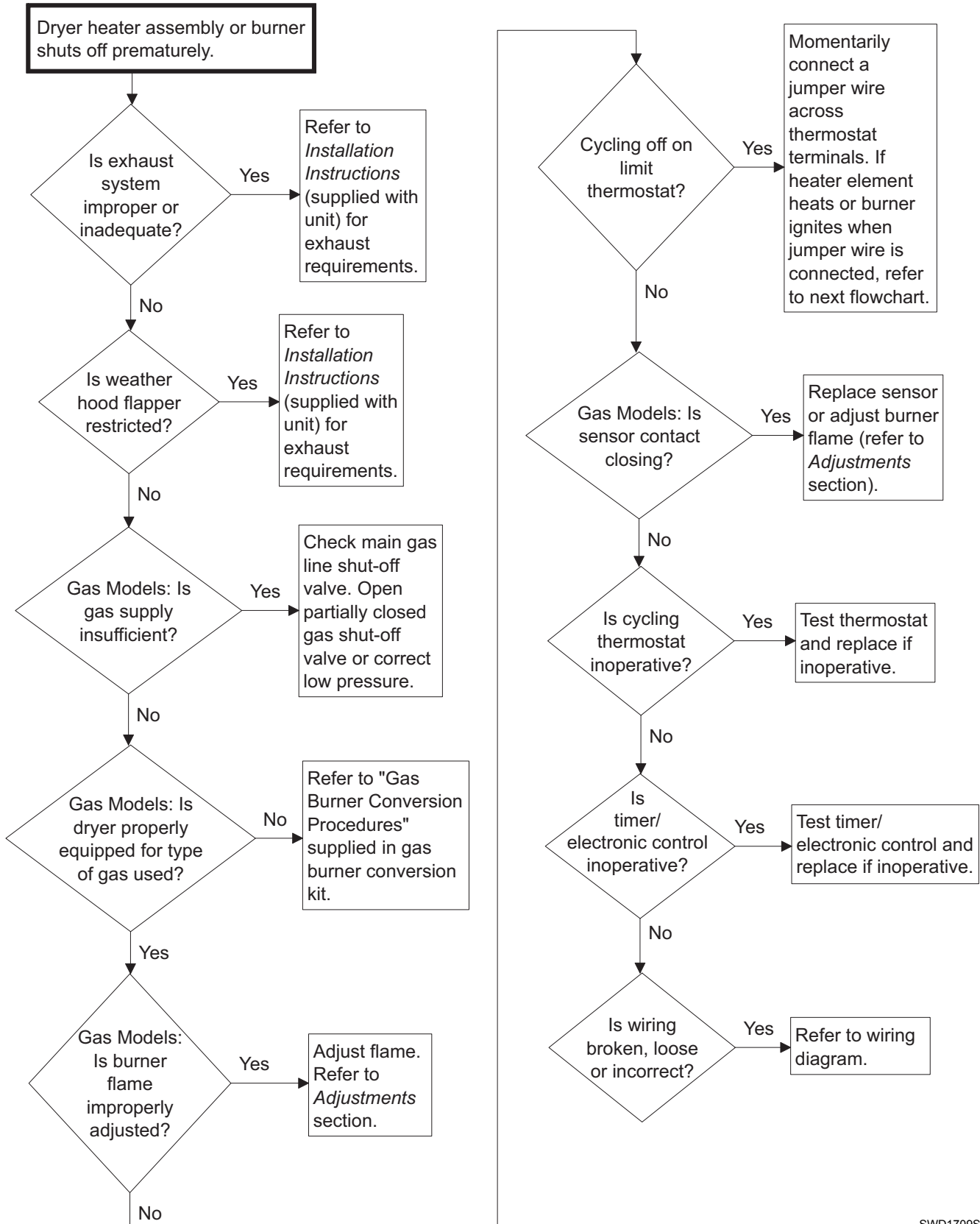
9. IGNITER GLOWS BUT BURNER DOES NOT IGNITE – GAS DRYER MODELS



DRY1878S

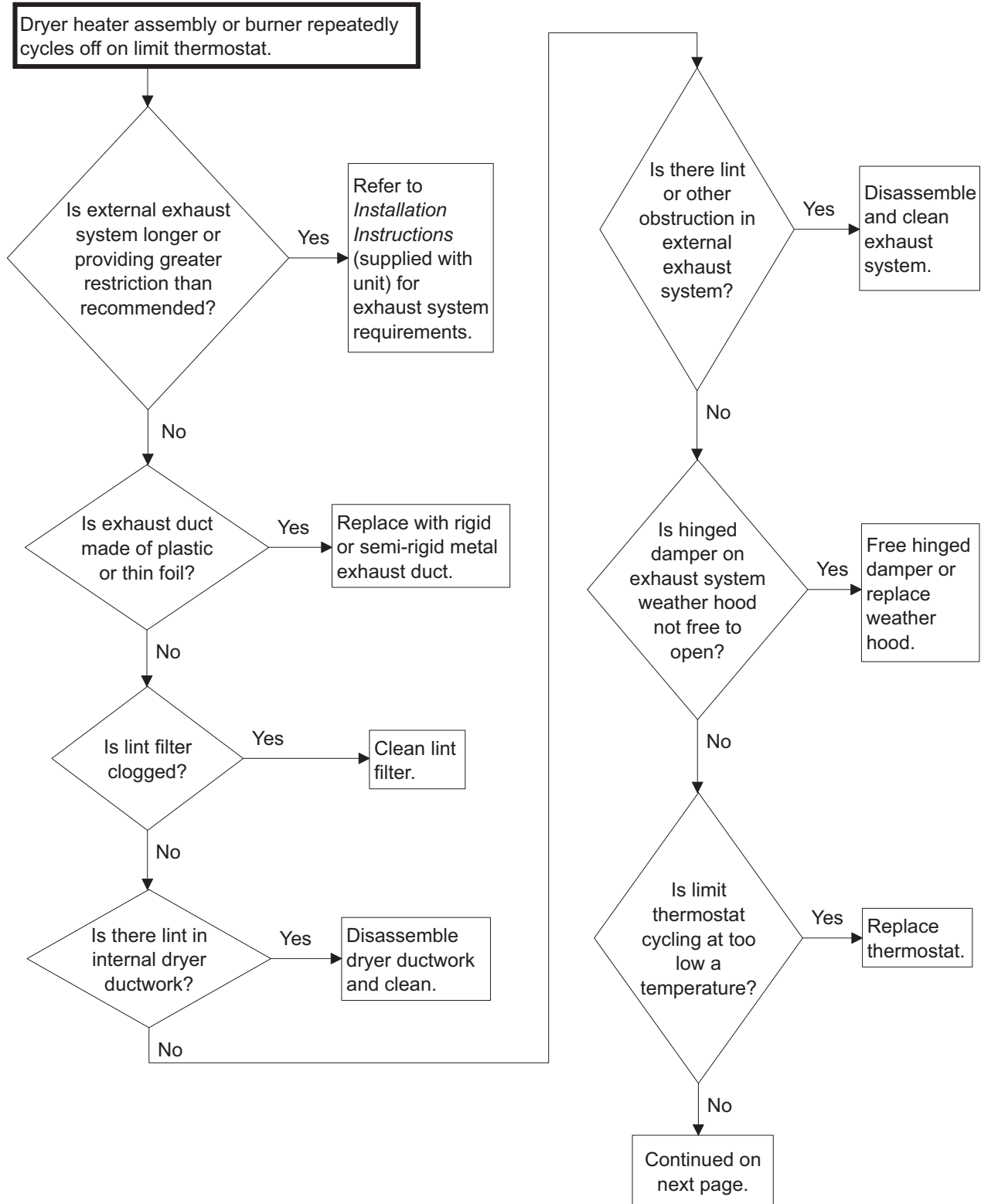
Section 3 Troubleshooting

10. DRYER HEATER ASSEMBLY OR BURNER SHUTS OFF PREMATURELY



SWD1709S

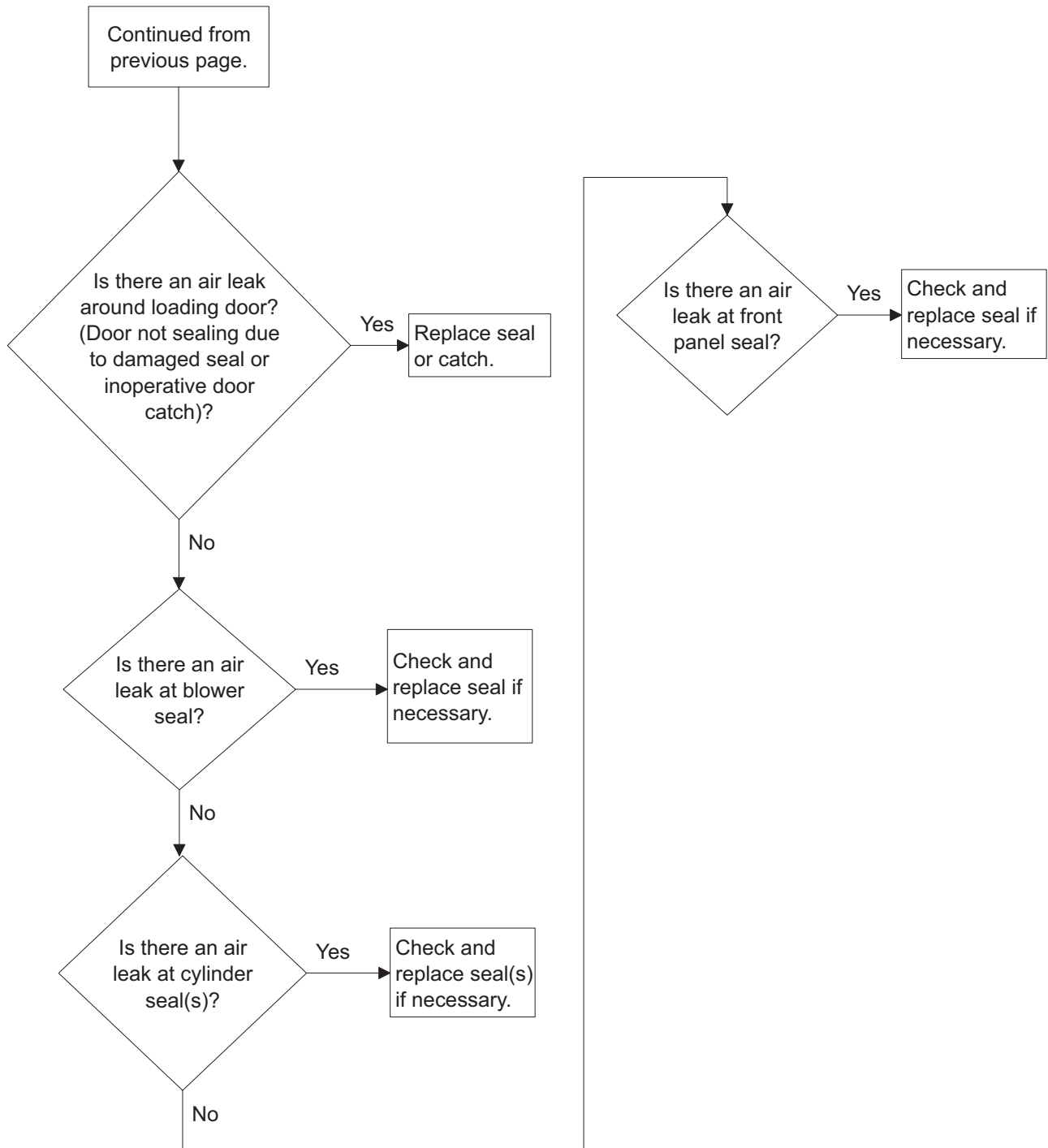
**11. DRYER HEATER ASSEMBLY OR BURNER REPEATEDLY CYCLES OFF ON LIMIT THERMOSTAT**



SWD1710S-a

Section 3 Troubleshooting

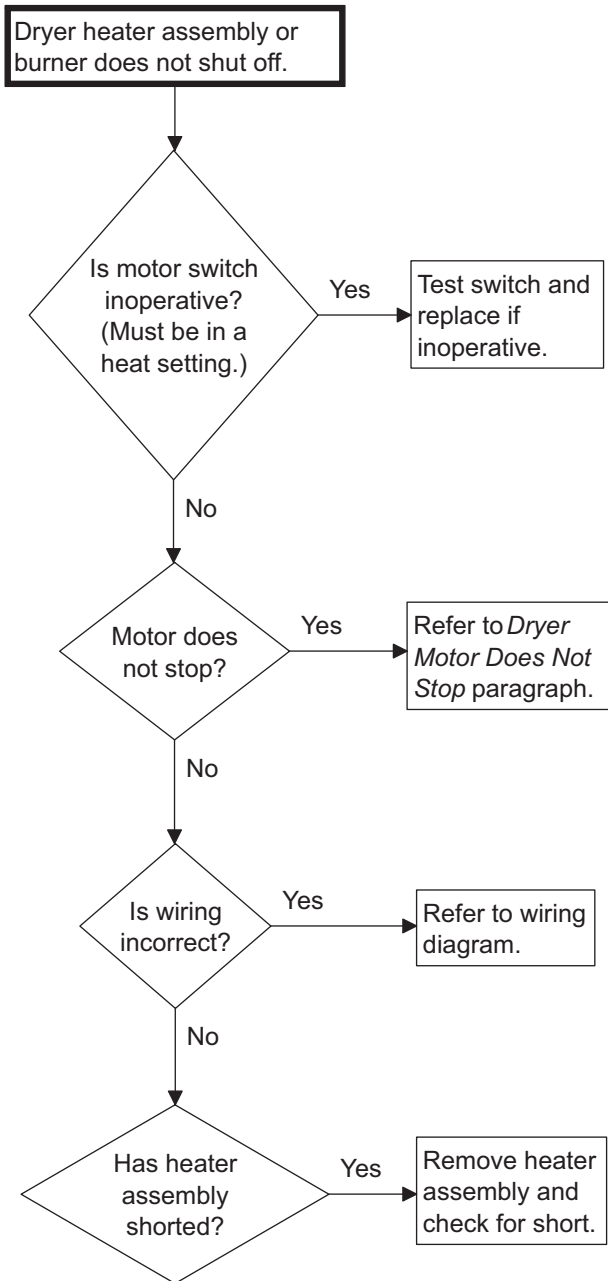
**DRYER HEATER ASSEMBLY OR BURNER REPEATEDLY CYCLES OFF ON LIMIT THERMOSTAT (CONTINUED)**



SWD1710S-b



### 12. DRYER HEATER ASSEMBLY OR BURNER DOES NOT SHUT OFF

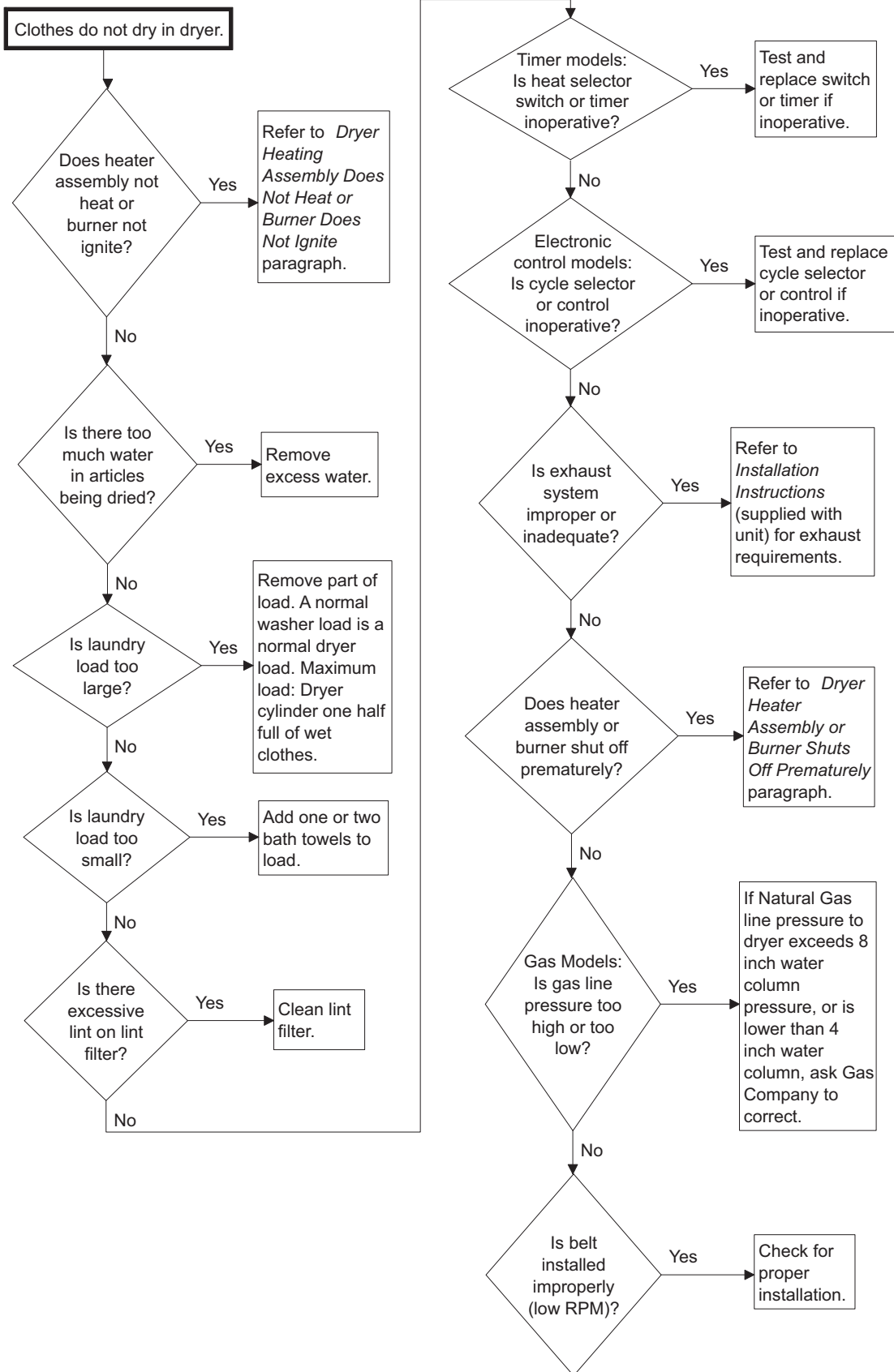


SWD1700S

SWD1700S

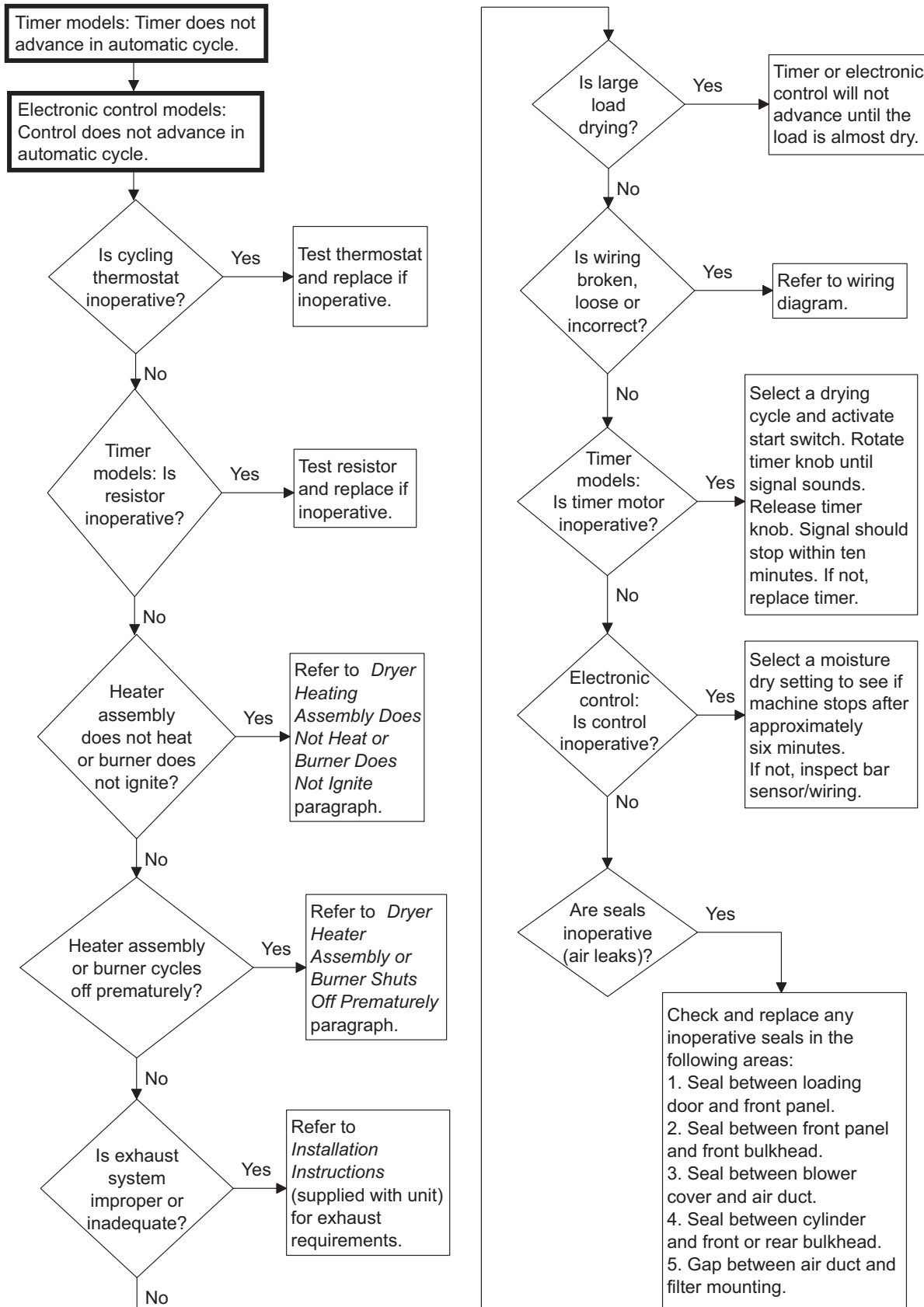
Section 3 Troubleshooting

13. CLOTHES DO NOT DRY IN DRYER



SWD1711S

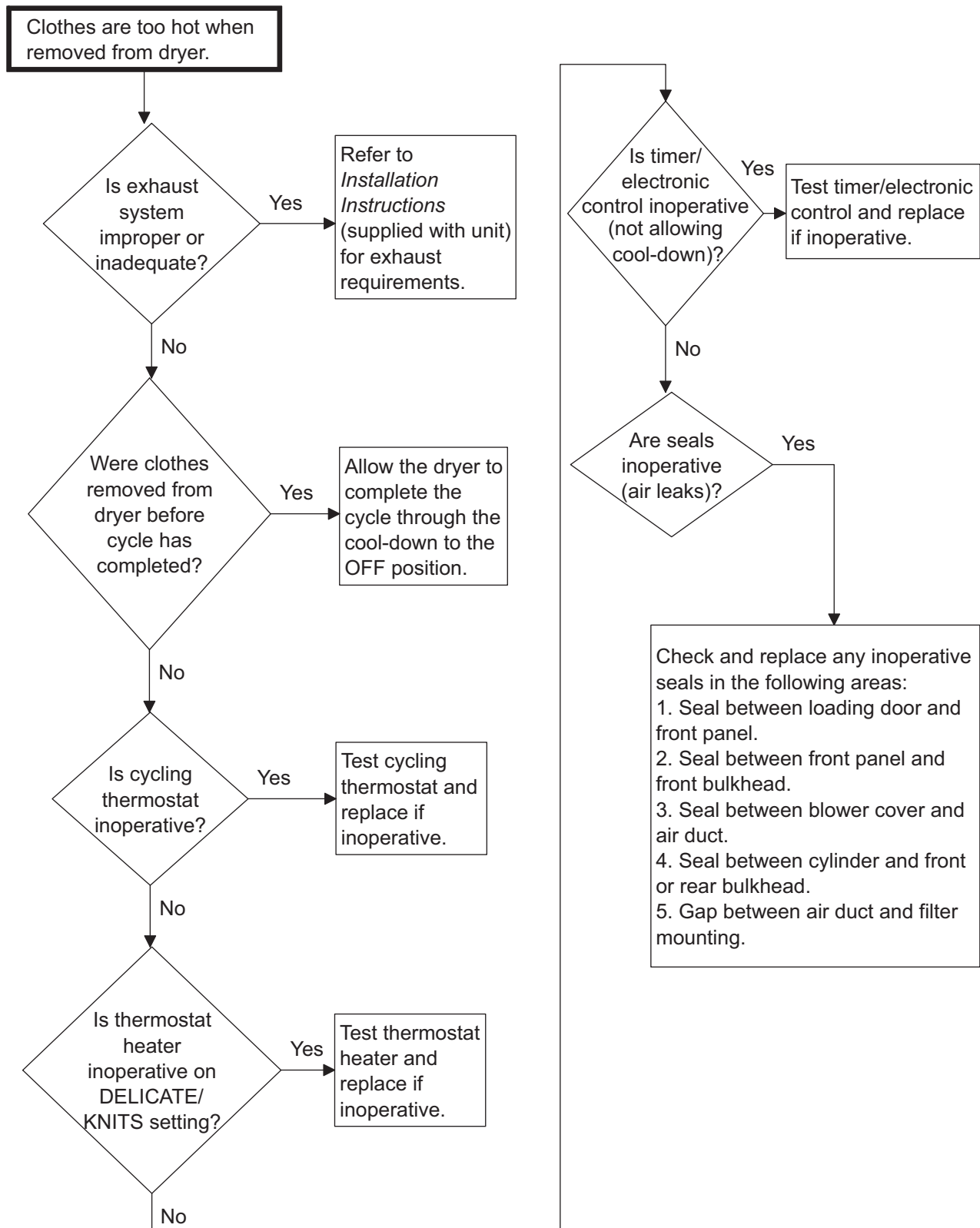
14. TIMER/ELECTRONIC CONTROL DOES NOT ADVANCE IN AUTOMATIC CYCLE



DRY1879S

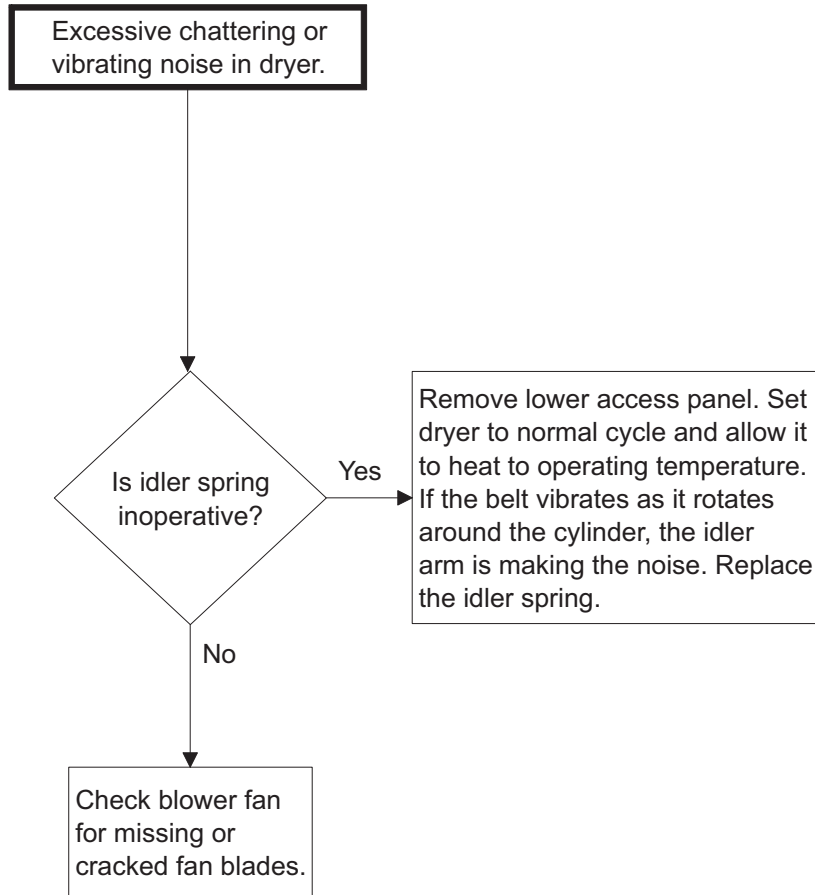
Section 3 Troubleshooting

15. CLOTHES ARE TOO HOT WHEN REMOVED FROM DRYER



DRY1874S-c

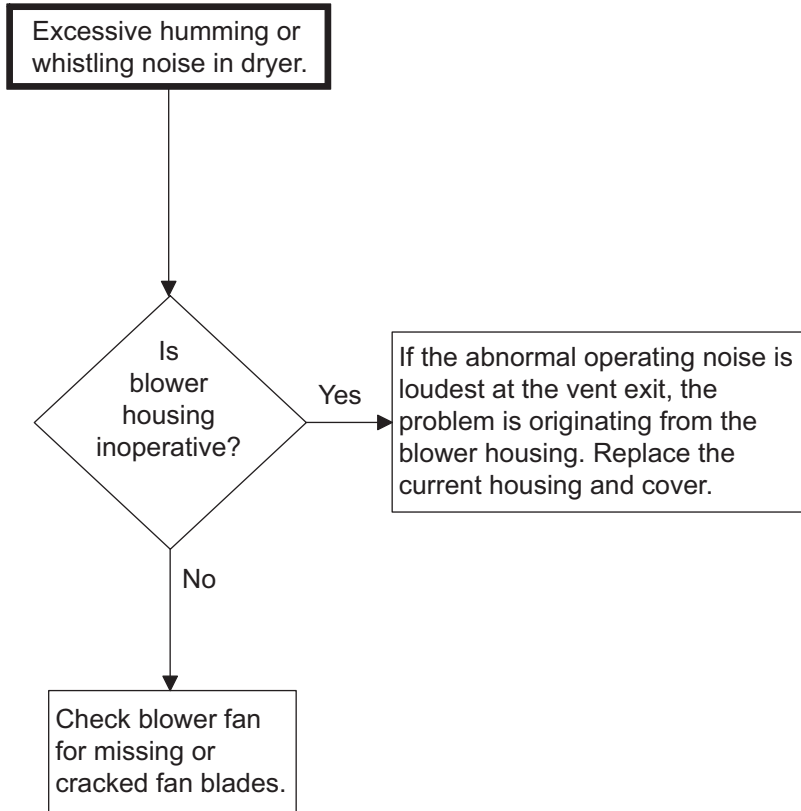
### 16. EXCESSIVE CHATTERING OR VIBRATING NOISE IN DRYER



SWD1703S

**Section 3 Troubleshooting**

**17. EXCESSIVE HUMMING OR WHISTLING NOISE IN DRYER**



SWD1704S

# Section 4

## Error Codes



### WARNING

To reduce the risk of electric shock, fire, explosion, serious injury or death:

- Disconnect electric power to the dryer(s) before servicing.
- Close gas shut-off valve to gas dryer(s) before servicing.
- Never start the dryer(s) with any guards/panels removed.
- Whenever ground wires are removed during servicing, these ground wires must be reconnected to ensure that the dryer is properly grounded.

W001R1

Display	Description	Cause/Corrective Action
Ero	Locked rotor error: The motor is not sensed as rotating when it should be.	Terminate cycle and check that nothing is obstructing motor rotation. Check wire harness connection between motor, user control and output board, or try replacing the user control or the output board. Clear error with a key press.
Eop	Open thermistor error: The thermistor circuit is sensed as being physically open.	Remove any lint build up around thermistor. Check wire harness connection between thermistor and harness. If problem persists replace thermistor, harness or output board. Thermistor must no longer be seen as open to clear.
Esh	Shorted thermistor error: The thermistor circuit is sensed as being shorted.	Remove any lint build up around thermistor. Check wire harness connection between thermistor and harness. If problem persists replace thermistor, harness or output board. Thermistor must no longer be seen as shorted to clear.
Ens	Motor output shorted error: Hardware error.	Terminate cycle. Replace output board. Power down machine to clear.
E59	Door input acquisition error: Hardware error.	Terminate cycle. Replace output board. Power down machine to clear.
E60	Centrifugal switch input acquisition error: Hardware error.	Terminate cycle. Replace output board. Power down machine to clear.
E61	High limit thermostat input acquisition error: Hardware error.	Advance cycle to cool down. Replace output board. Power down machine to clear.
Eco	Output board communication error: Communication failure.	Power down machine to clear, power up and try again. If error persists, check harness connection between user control and output board, or try replacing the user control or the output board.
Enr	Output board not ready error: Hardware failure.	Terminate cycle. Replace output board. Power down machine to clear.

(continued)



## WARNING

To reduce the risk of electric shock, fire, explosion, serious injury or death:

- **Disconnect electric power to the dryer(s) before servicing.**
- **Close gas shut-off valve to gas dryer(s) before servicing.**
- **Never start the dryer(s) with any guards/panels removed.**
- **Whenever ground wires are removed during servicing, these ground wires must be reconnected to ensure that the dryer is properly grounded.**

W001R1

(continued)

Display	Description	Cause/Corrective Action
Eds	Brownout/voltage configuration error: Unexpected supply voltage.	Check the harness connections between the user control and the output board. If the user control was replaced, set dipswitch #1 to the same setting as the previous control. If reworking the machine to use a different supply voltage, the dip switch #1 setting may need to be changed. If the dip switch #1 setting is changed, power down machine, power up and try again.
Eid	Board ID error: Incorrect replacement control.	Terminate cycle. Replace user control or output board with correct part. Power down machine to clear.



# Section 5 Adjustments



## WARNING

To reduce the risk of electric shock, fire, explosion, serious injury or death:

- Disconnect electric power to the dryer(s) before servicing.
- Close gas shut-off valve to gas dryer(s) before servicing.
- Never start the dryer(s) with any guards/panels removed.
- Whenever ground wires are removed during servicing, these ground wires must be reconnected to ensure that the dryer is properly grounded.

W001R1

**IMPORTANT:** When reference is made to directions (right or left) in this manual, it is from operator's position facing front of washer.

### 18. LEVELING LEGS

Refer to *Figure 1*.

**NOTE:** Dryer should be installed on a solid and level floor.

- a. Place dryer in position, adjusting the legs until dryer is level.

**NOTE:** Legs can be adjusted outside the dryer by using a 1-1/4 inch size wrench, or from inside the dryer (with lower front access panel removed) by using a 1/4 inch drive ratchet with extension.

- b. Keep dryer as close to the floor as possible. All four legs must rest firmly on the floor so weight of the dryer is evenly distributed. The dryer **MUST NOT** rock.

**IMPORTANT:** **DO NOT** move the dryer at any time unless the dryer is completely assembled. **DO NOT** slide the dryer across the floor once the leveling legs have been extended as the legs and base could become damaged.



## WARNING

To reduce the risk of serious injury or death by carbon monoxide and other gases in gas dryers, carefully read and follow all instructions given in this section.

W005

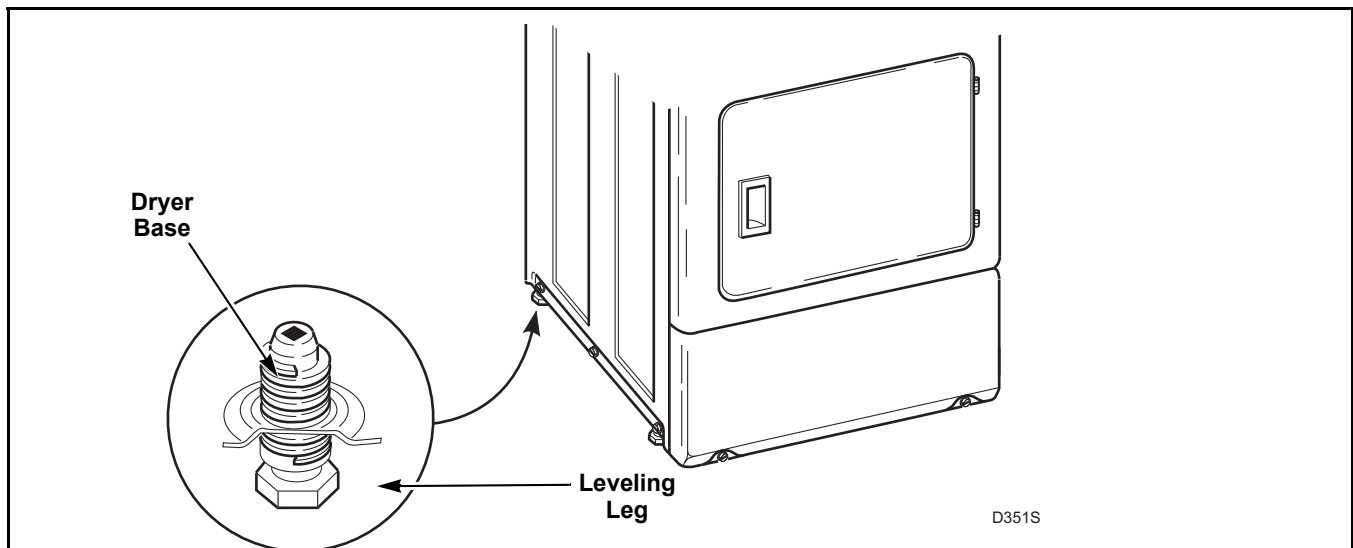


Figure 1



## WARNING

To reduce the risk of electric shock, fire, explosion, serious injury or death:

- Disconnect electric power to the dryer(s) before servicing.
- Close gas shut-off valve to gas dryer(s) before servicing.
- Never start the dryer(s) with any guards/panels removed.
- Whenever ground wires are removed during servicing, these ground wires must be reconnected to ensure that the dryer is properly grounded.

W001R1

### 19. BURNER FLAME (Gas Models)

- While supporting the access panel, remove two screws from bottom edge of access panel.
- Gently lower the access panel to disengage locators from bottom edge of front panel.
- Set timer to 60 minutes.
- Close the loading door. Start the dryer in a heat setting (refer to Operating Instructions supplied with the dryer). The dryer will start, the igniter will glow red, and the main burner will ignite.
- Allow the dryer to operate for approximately five minutes, then loosen the air shutter lockscrew. Refer to *Figure 2*.
- Turn the air shutter to the left to get a luminous yellow tipped flame, then turn it back slowly to the right to obtain a steady blue flame.
- After proper flame is obtained, tighten air shutter lockscrew firmly. Refer to *Figure 2*.
- Reinstall access panel and screws.



## WARNING

To reduce the risk of fire or serious injury, the access panel must be in place during normal operation.

W262

**NOTE:** After the dryer has operated for approximately three minutes, exhaust air or exhaust pipe should be warm.

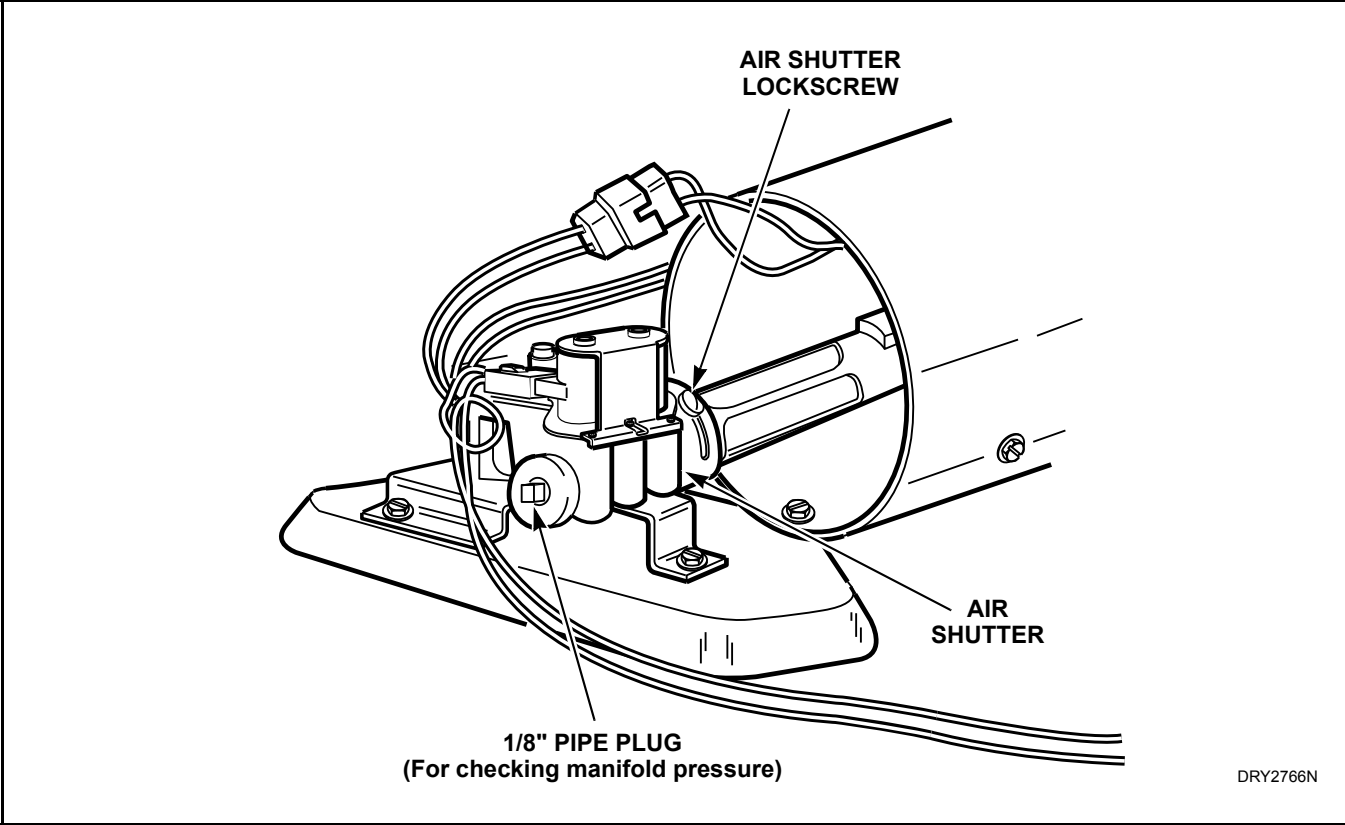


Figure 2

# Section 6

## Test Procedures



### WARNING

To reduce the risk of electric shock, fire, explosion, serious injury or death:

- Disconnect electric power to the dryer(s) before servicing.
- Close gas shut-off valve to gas dryer(s) before servicing.
- Never start the dryer(s) with any guards/panels removed.
- Whenever ground wires are removed during servicing, these ground wires must be reconnected to ensure that the dryer is properly grounded.

W001R1

**IMPORTANT:** Electrical test procedures in this service manual are performed by using a Volt-Ohm meter. Tests can also be performed using a multi-meter or any other electrical testing equipment with which the service person is familiar.

#### 20. TIMER CONTACTS

Refer to *Figure 3*.

- Disconnect wires from timer, except timer motor wires.

**NOTE:** Refer to appropriate wiring diagram when rewiring timer.

- Manually rotate timer out of “OFF” position and into cycle.
- Set test meter to read Ohms. The following readings should be found:
  - (1) Motor circuit test – L1 and M = “zero” Ohms (closed)
  - (2) Heat circuit test – L2 and H = “zero” Ohms (closed)
  - (3) Timer motor test – approximately 2462-2714 Ohms or apply live power to timer motor terminals and motor should run.

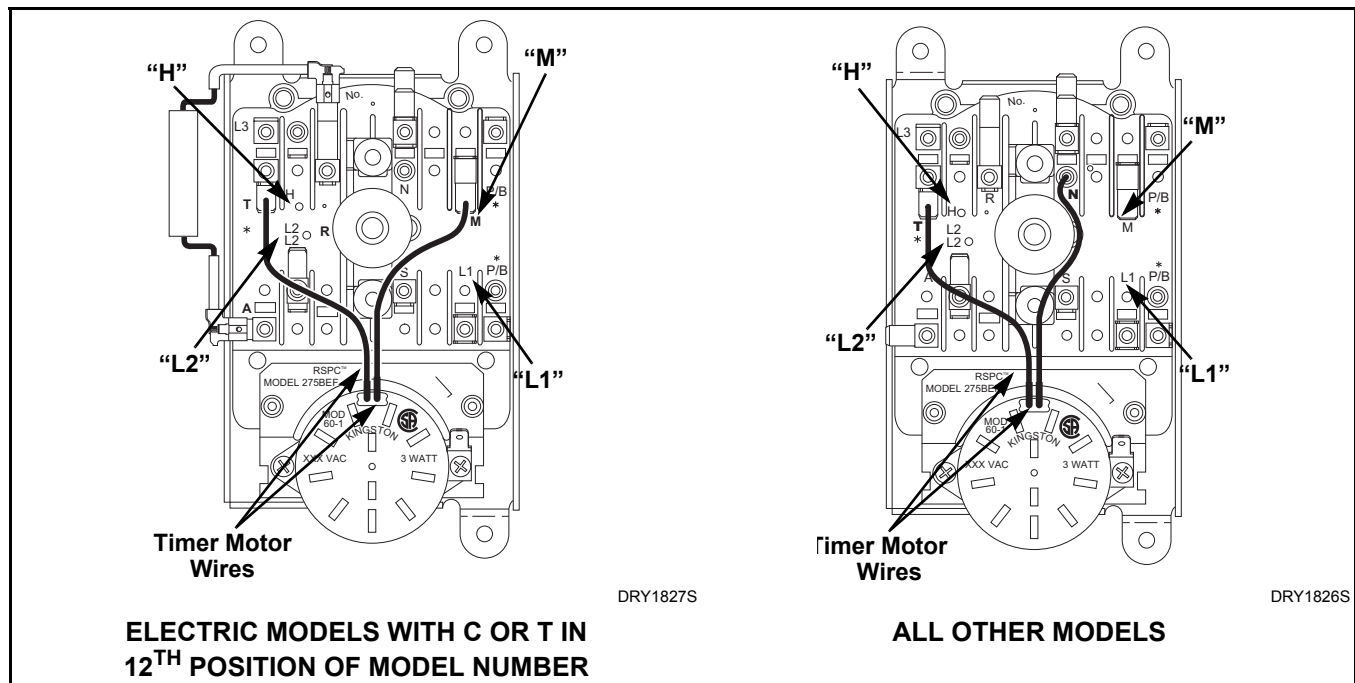


Figure 3



## WARNING

**To reduce the risk of electric shock, fire, explosion, serious injury or death:**

- **Disconnect electric power to the dryer(s) before servicing.**
- **Close gas shut-off valve to gas dryer(s) before servicing.**
- **Never start the dryer(s) with any guards/panels removed.**
- **Whenever ground wires are removed during servicing, these ground wires must be reconnected to ensure that the dryer is properly grounded.**

W001R1

**NOTE: Timer Motor Resistance:**

120 Volt, 60 Hz	2,462 – 2,714 Ohms
240 Volt	10,900 – 13,300 Ohms

- (4) Rotate timer to “cooldown” (5 minutes before “OFF”). “Infinite” (open) reading should be found between L2 and H.
- (5) Rotate timer to “OFF” position. “Infinite” (open) reading should be found between L1 and M and between L2 and H.

### 21. FABRIC SELECTOR SWITCH

**NOTE: Refer to proper model wiring diagram when rewiring switch.**

- a. Set test meter to read Ohms and apply meter probes to switch terminals.

**NOTE: Refer to proper model wiring diagram when reconnecting wires.**

FABRIC SELECTOR SWITCH – 4 Position		
	L1-1	L1-2
No Heat/Air Fluff	–	–
Delicate	X	X
Perm. Press	–	X
Regular	–	X
X indicates closed		

FABRIC SELECTOR SWITCH – 3 Position			
	L1-2	L1-3	L1-1
No Heat/Air Fluff	–	X	–
Delicate/Knits	X	–	X
Regular/Perm. Press	X	–	–
X indicates closed			



## WARNING

To reduce the risk of electric shock, fire, explosion, serious injury or death:

- Disconnect electric power to the dryer(s) before servicing.
- Close gas shut-off valve to gas dryer(s) before servicing.
- Never start the dryer(s) with any guards/panels removed.
- Whenever ground wires are removed during servicing, these ground wires must be reconnected to ensure that the dryer is properly grounded.

W001R1

### 22. DRIVE MOTOR

Refer to *Figure 4*.

- Remove motor and exhaust assembly.
- Disconnect motor wire harness at motor disconnect block.

**NOTE:** Refer to wiring schematic, *SECTION 7*, for internal motor switch wires.

**NOTE:** Drive Motor Resistance

120 Volt	2,460 – 3,100 Ohms
240 Volt	10,000 - 13,000 Ohms

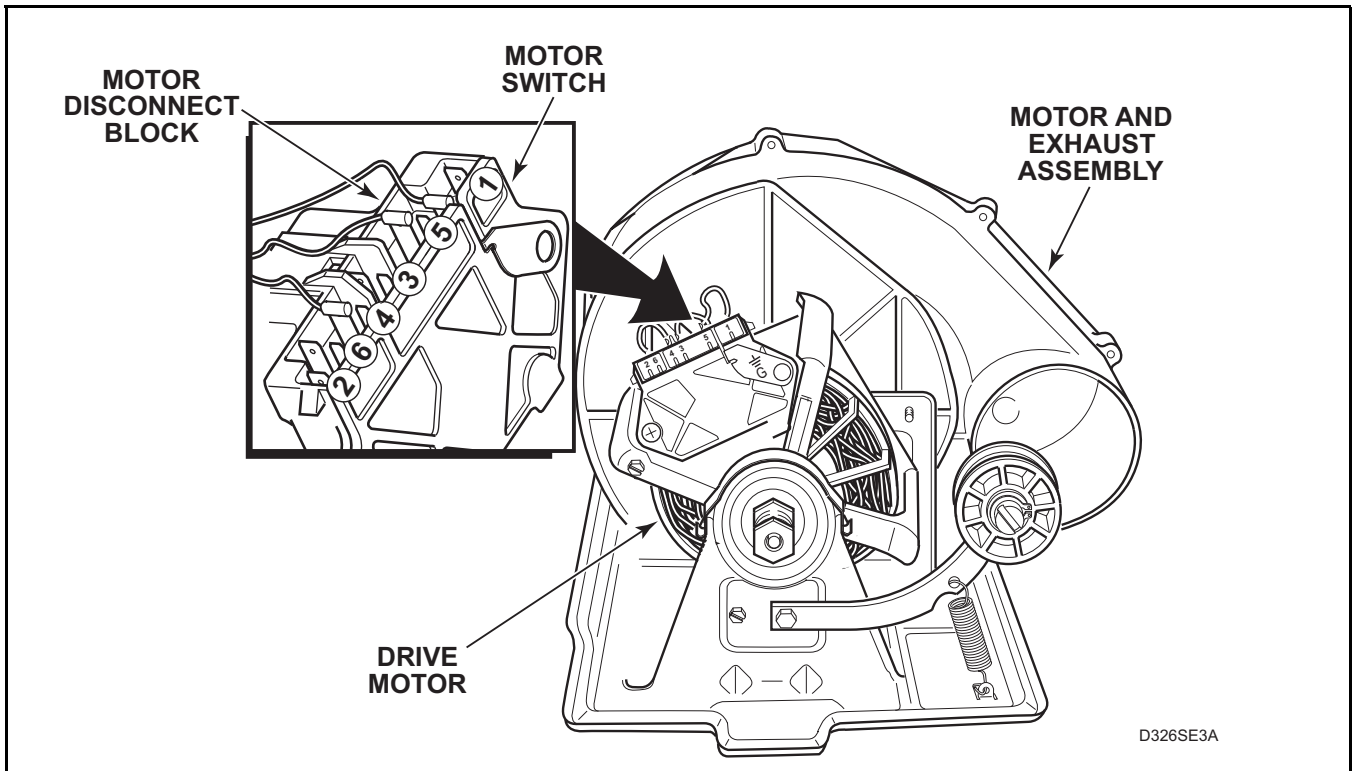


Figure 4

## WARNING

**To reduce the risk of electric shock, fire, explosion, serious injury or death:**

- **Disconnect electric power to the dryer(s) before servicing.**
- **Close gas shut-off valve to gas dryer(s) before servicing.**
- **Never start the dryer(s) with any guards/panels removed.**
- **Whenever ground wires are removed during servicing, these ground wires must be reconnected to ensure that the dryer is properly grounded.**

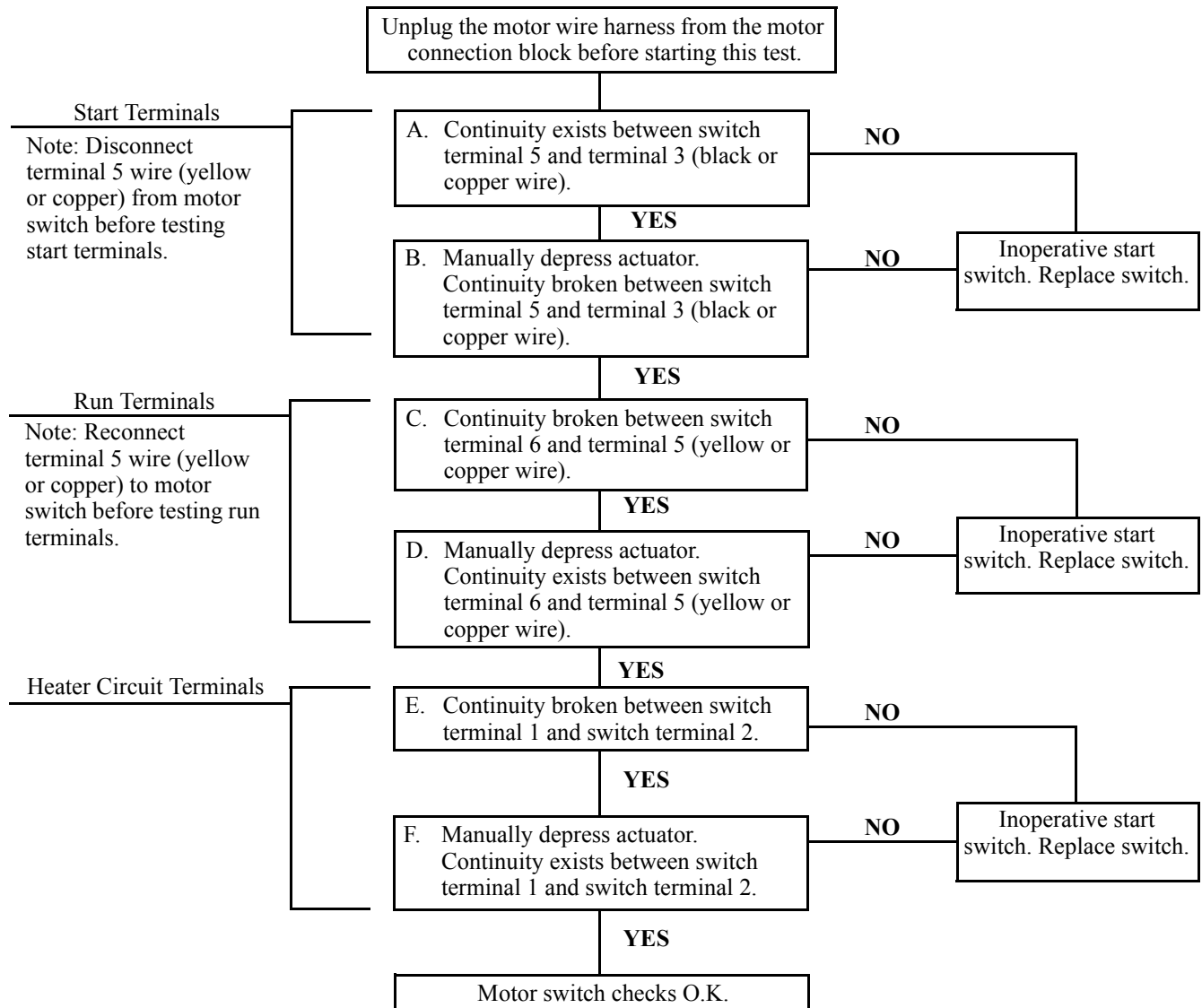
W001R1

c. **Motor Switch** (Refer to *SECTION 7* for Internal Wiring of the Dryer Motor Switch.)

## WARNING

**Disconnect electric power to dryer before performing any of the following steps or when replacing inoperative motor switch.**

W290





## WARNING

To reduce the risk of electric shock, fire, explosion, serious injury or death:

- Disconnect electric power to the dryer(s) before servicing.
- Close gas shut-off valve to gas dryer(s) before servicing.
- Never start the dryer(s) with any guards/panels removed.
- Whenever ground wires are removed during servicing, these ground wires must be reconnected to ensure that the dryer is properly grounded.

W001R1

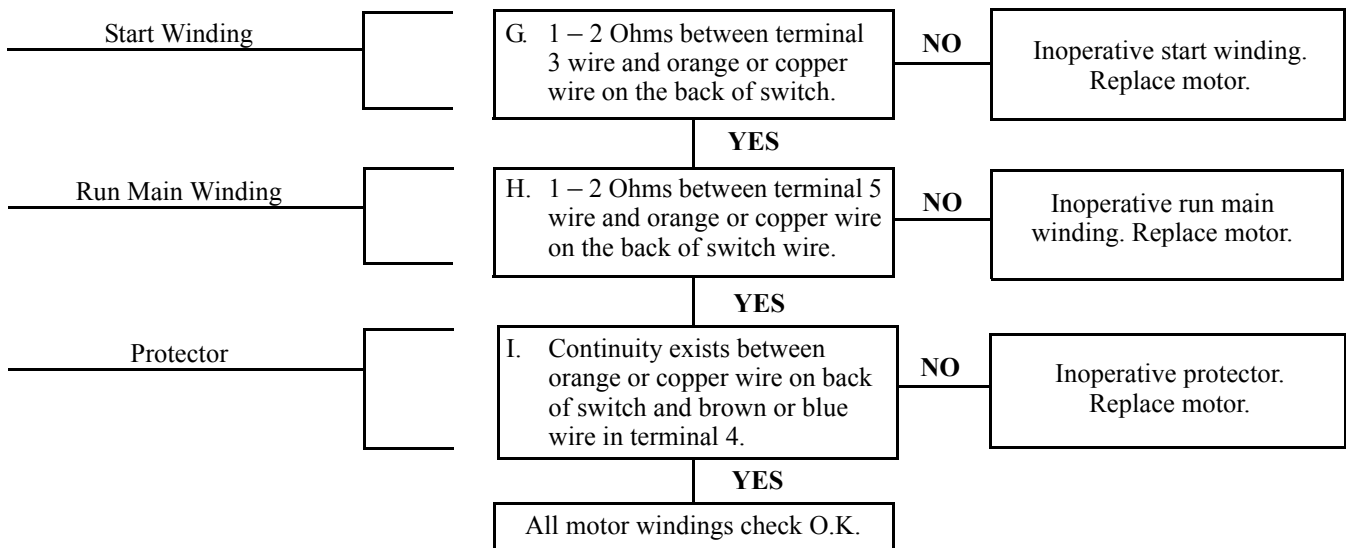
d. **Motor Windings** (Refer to *SECTION 7* for Internal Wiring of the Dryer Motor Switch.)



## WARNING

**Disconnect electric power to dryer before performing any of the following steps or when replacing inoperative motor switch.**

W290







## WARNING

To reduce the risk of electric shock, fire, explosion, serious injury or death:

- Disconnect electric power to the dryer(s) before servicing.
- Close gas shut-off valve to gas dryer(s) before servicing.
- Never start the dryer(s) with any guards/panels removed.
- Whenever ground wires are removed during servicing, these ground wires must be reconnected to ensure that the dryer is properly grounded.

W001R1

### 23. MOTOR SWITCH

- a. Remove motor and exhaust fan assembly.
- b. Remove the two motor switch attaching screws.  
Refer to *Figure 10*. Disconnect switch leads.  
Remove motor switch.
- c. Remove thermal overload protector.

**NOTE:** The thermal overload protector is unique to the motor from which it was removed and should only be used on that motor. To reduce the risk of overheating the motor, do not use any thermal overload protector other than the one taken from the inoperative motor switch in step 3.

#### (1) Motor with Switch on Blower End

Using a small bladed screwdriver, press the thermal overload protector mounting tab downward and remove the thermal overload protector from the inoperative motor switch. Refer to *Figure 5*.

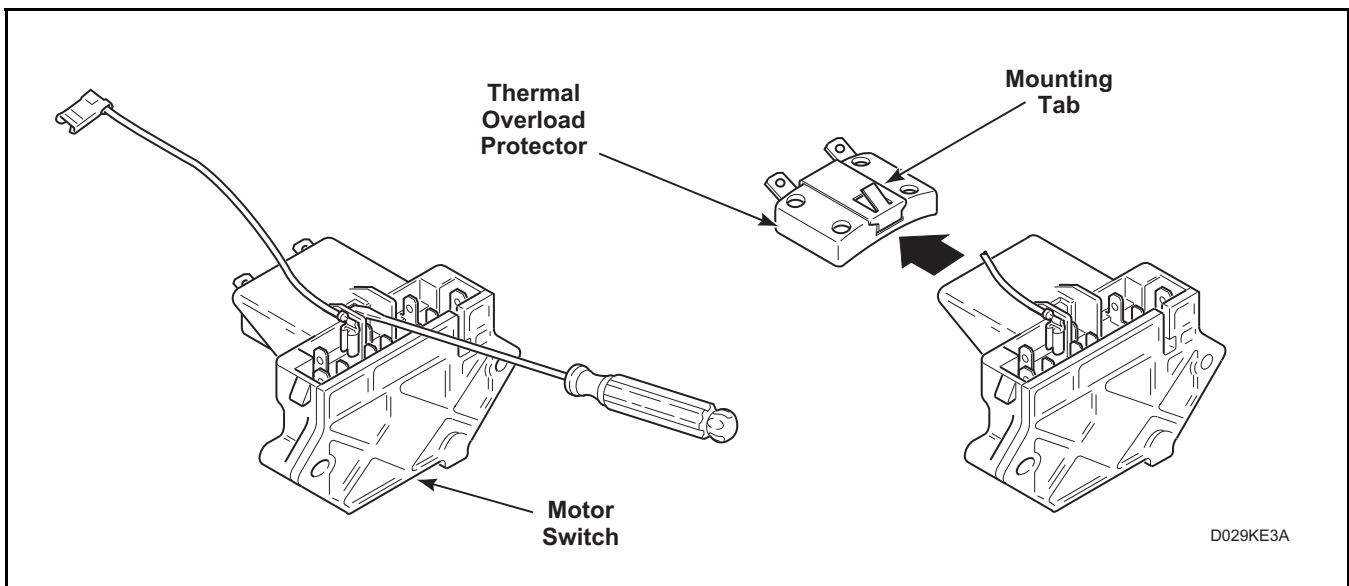


Figure 5



## WARNING

To reduce the risk of electric shock, fire, explosion, serious injury or death:

- Disconnect electric power to the dryer(s) before servicing.
- Close gas shut-off valve to gas dryer(s) before servicing.
- Never start the dryer(s) with any guards/panels removed.
- Whenever ground wires are removed during servicing, these ground wires must be reconnected to ensure that the dryer is properly grounded.

W001R1

(2) **Motor with switch on pulley end**

Press the tip of a small bladed screwdriver into the slot located between top of motor switch and plastic clip. Lift up on handle of screwdriver until both clip and thermal overload protector detach from motor switch. Refer to *Figure 6*.

- d. Attach the thermal overload protector removed in Step “c” to the new motor switch.
- e. Install new motor switch onto motor and reconnect motor switch leads removed in Step “b”. Refer to *Figure 10*.

- f. Test motor switch by following the step-by-step procedures included in *Paragraph 22*.
- g. Before reinstalling the motor assembly, apply power (120 VAC) directly to motor terminals 4 and 5. Then start and run the motor at least 6 times, making sure the motor and switch are operating properly.

**NOTE: The dryer manufacturer and parts suppliers are not liable for improper switch installation.**

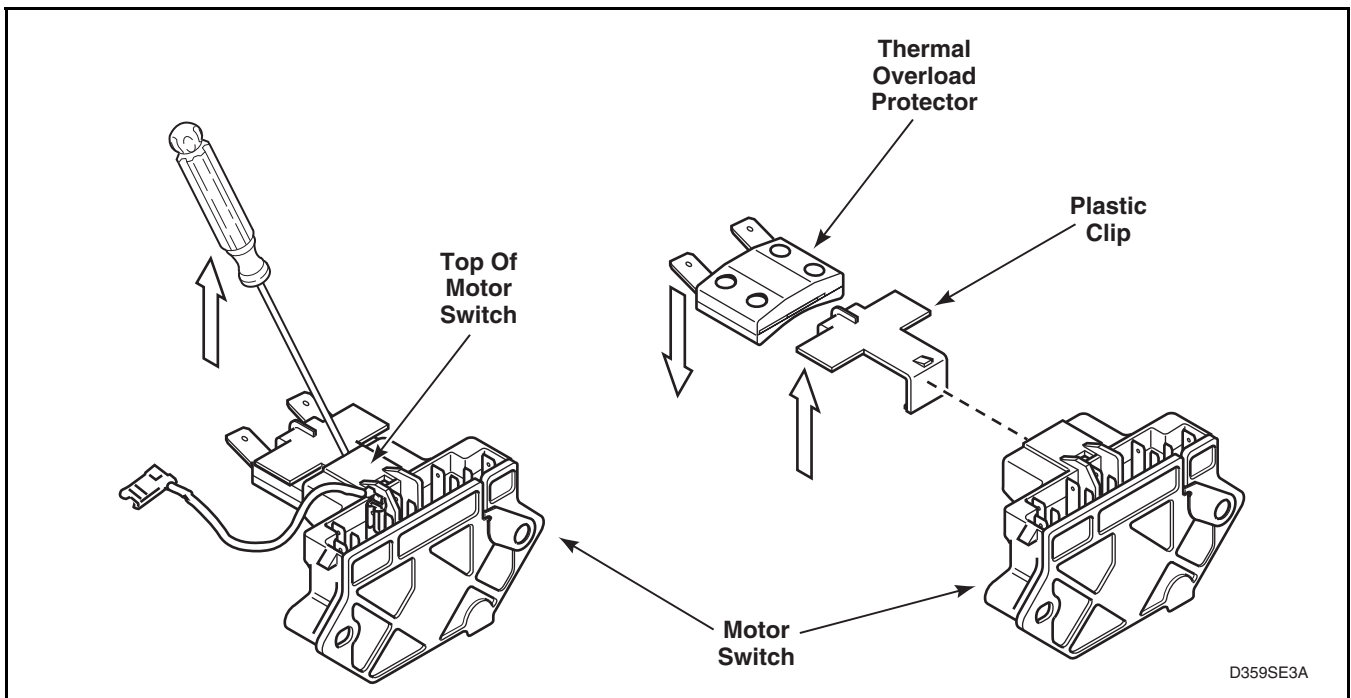


Figure 6



## WARNING

To reduce the risk of electric shock, fire, explosion, serious injury or death:

- Disconnect electric power to the dryer(s) before servicing.
- Close gas shut-off valve to gas dryer(s) before servicing.
- Never start the dryer(s) with any guards/panels removed.
- Whenever ground wires are removed during servicing, these ground wires must be reconnected to ensure that the dryer is properly grounded.

W001R1

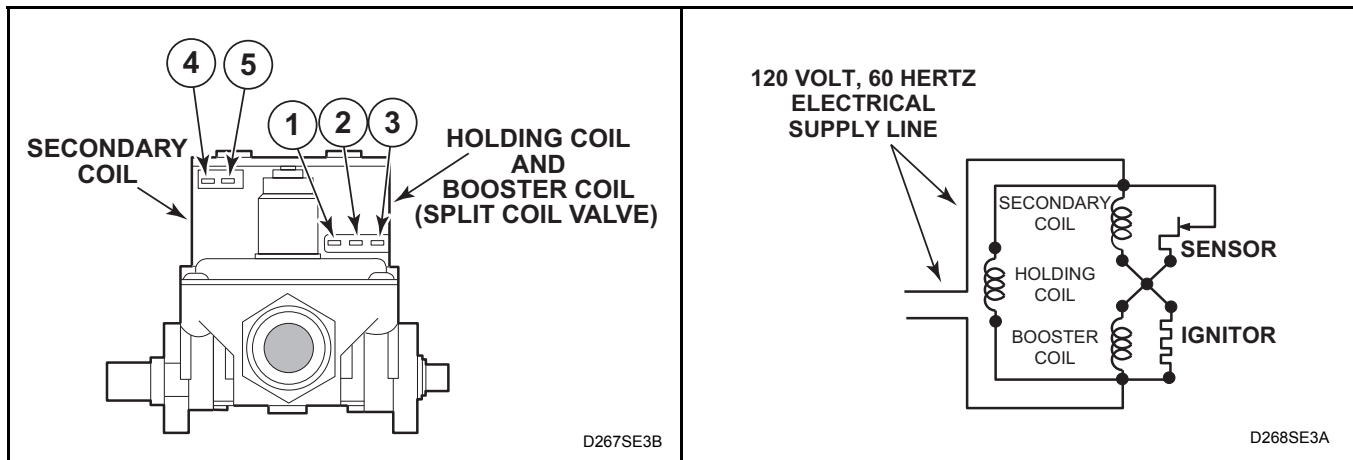


Figure 7

## 24. BURNER SYSTEM OPERATION

(Gas Models – Refer to *Figure 7.*)

### a. Components

This burner has four basic components: a silicon carbide (glow bar) igniter, burner tube, sensor, and a two-stage gas valve consisting of a split-coil valve and a secondary coil valve. The split-coil valve is opened when the dryer thermostat calls for heat, while the secondary valve does not open until the igniter has attained ignition temperature.

### b. Pre-Ignition Circuits

When the dryer thermostat calls for heat, circuits are completed through the holding coil, sensor, booster coil and igniter. Both coils must be energized to open the split-coil valve. Once opened, the holding coil can hold the valve open without assistance from the booster coil. The sensor triggers the current to travel around the secondary coil and through the igniter, causing the igniter to get hot.

### c. Burner Circuit

In approximately 30 seconds, the igniter attains ignition temperature and ignition is made. The heat from the burner flame causes the sensor contacts (located on burner housing beside the igniter) to open. A circuit is then completed

through the secondary valve coil, opening the valve and allowing gas to flow.

### d. Momentary Power Interruption


Upon resumption of power, sensor contacts will still be open, permitting secondary valve to open. However, with the secondary coil in the circuit, the booster coil cannot draw enough current to open the split-coil valve. When sensor contacts do reclose, the secondary valve will close, and the burner system will be in the normal pre-ignition circuit.

### e. Flame Failure

In case of flame failure, the sensor contacts will re-close in about 45 seconds. This will close the secondary valve and the burner system will be in the normal pre-ignition circuit.

### f. Ignition Failure

If flame is not established as sensor contacts open, secondary valve will remain open until sensor contacts re-close. Sensor will continue to recycle the igniter and secondary valve (about once per minute) until ignition is made or dryer is turned off.



## WARNING

**To reduce the risk of electric shock, fire, explosion, serious injury or death:**

- **Disconnect electric power to the dryer(s) before servicing.**
- **Close gas shut-off valve to gas dryer(s) before servicing.**
- **Never start the dryer(s) with any guards/panels removed.**
- **Whenever ground wires are removed during servicing, these ground wires must be reconnected to ensure that the dryer is properly grounded.**

W001R1

**25. ELECTRICAL CIRCUIT TO IGNITION SYSTEM (Gas Models)**

- a. While supporting the access panel, remove two screws from bottom edge of access panel.
- b. Gently lower the access panel to disengage locators from bottom edge of front panel.
- c. Close main gas shut-off valve. Refer to *Figure 2*.
- d. Remove valve wire harness disconnect block from the holding and booster coil.
- e. Plug dryer power cord into wall receptacle, and start the dryer in a heat setting (refer to the Operating Instructions supplied with dryer).
- f. Set test meter to read AC voltage and apply meter probes into terminals on the dryer harness plug that would correspond to terminals "1" and "2" on the coil. Meter should register line voltage in all Fabric settings, except NO HEAT/AIR FLUFF which should read "zero" VAC.
- g. If meter does not read line voltage in step "f", check motor switch, thermostats, fabric switch, accumulator, or timer.

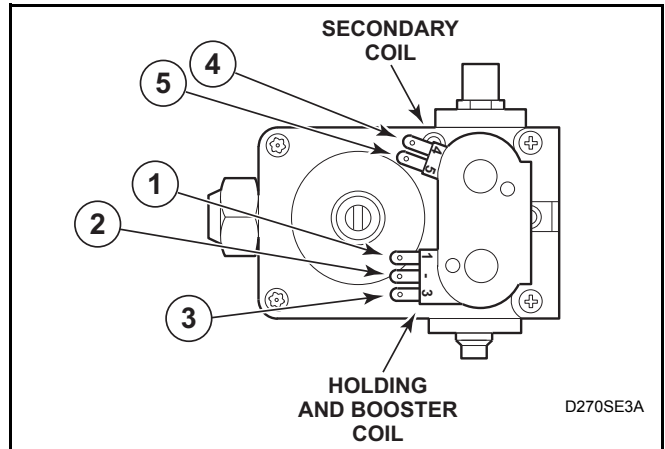


Figure 8

**26. GAS VALVE COILS CHECK (Gas Models)**

- a. While supporting the access panel, remove two screws from bottom edge of access panel.
- b. Gently lower the access panel to disengage locators from bottom edge of front panel.
- c. Close main gas shut-off valve. Refer to *Figure 2*.
- d. Remove disconnect blocks from gas valve coils.
- e. Set test meter to read Ohms and put meter probes to terminals shown in *Figure 8*, and in the following chart.


**COIL TOLERANCE READINGS - 50 Hertz Valve**

Meter probes to terminals:	Meter should read:
Holding Coil – Terminals 1 & 2	1700 ± 285 Ohms
Booster Coil – Terminals 1 & 3	685 ± 115 Ohms
Secondary Coil – Terminals 4 & 5	1680 ± 285 Ohms

**COIL TOLERANCE READINGS - 60 Hertz Valve**

Meter probes to terminals:	Meter should read:
Holding Coil – Terminals 1 & 2	1365 ± 230 Ohms
Booster Coil – Terminals 1 & 3	560 ± 100 Ohms
Secondary Coil – Terminals 4 & 5	1325 ± 230 Ohms

**NOTE: If meter registers any other readings than those listed above, the respective coil(s) should be replaced.**



## WARNING

**To reduce the risk of fire, explosion and electric shock, close the valve in the gas supply line to the gas dryer and disconnect the electrical power unless gas or power supplies are required to perform test procedure.**

W263



## WARNING

To reduce the risk of electric shock, fire, explosion, serious injury or death:

- Disconnect electric power to the dryer(s) before servicing.
- Close gas shut-off valve to gas dryer(s) before servicing.
- Never start the dryer(s) with any guards/panels removed.
- Whenever ground wires are removed during servicing, these ground wires must be reconnected to ensure that the dryer is properly grounded.

W001R1

### 27. SENSOR CHECK (Gas Models)

- a. While supporting the access panel, remove two screws from bottom edge of access panel.
- b. Gently lower the access panel to disengage locators from bottom edge of front panel.
- c. Close main gas shut-off valve. Refer to *Figure 2*.
- d. Remove wires from sensor terminals.
- e. Set test meter to read Ohms and put meter probes on sensor terminals. Meter should read “zero” Ohms. If meter registers an Ohm reading of any amount, replace sensor.

### 28. IGNITER CHECK (Gas Models)

- a. While supporting the access panel, remove two screws from bottom edge of access panel.
- b. Gently lower the access panel to disengage locators from bottom edge of front panel.
- c. Close main gas shut-off valve. Refer to *Figure 2*.
- d. Disconnect igniter wires at disconnect block.
- e. Set test meter to read Ohms and put meter probes on terminals of igniter wires.
- f. Meter should read between 45 – 200 Ohms.

**NOTE: If meter does not read appropriate Ohms, then replace the igniter.**

**IMPORTANT: Always examine all wires, terminals and connectors to be sure wiring is correct before replacing any components.**

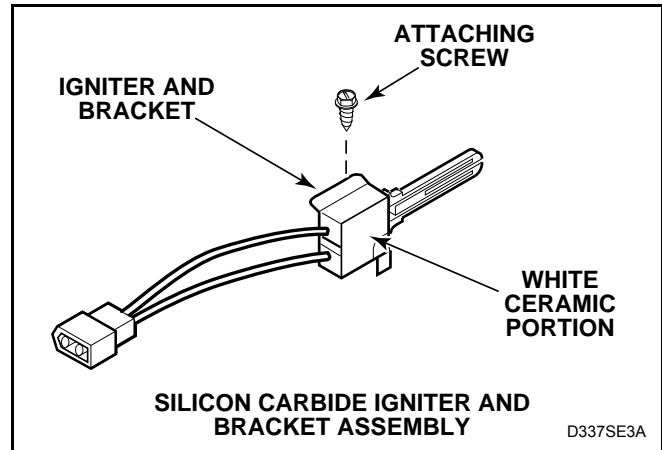


Figure 9

### 29. THERMAL FUSE (Electric Models)

- a. While supporting the access panel, remove two screws from bottom edge of front access panel.
- b. Gently lower the access panel to disengage panel locators from bottom edge of front panel.
- c. Label and disconnect wires from thermal fuse.

**NOTE: Refer to wiring diagram when rewiring thermal fuse.**

- d. Set multimeter to read Ohms. Apply meter probes to thermal fuse terminals. Multimeter should read 0 Ohms. If the meter does not show any reading (infinite Ohms), then the fuse is open. If the fuse is open, then replace BOTH the thermal fuse and the limit thermostat.



## WARNING

**To reduce the risk of electric shock, fire, explosion, serious injury or death:**

- **Disconnect electric power to the dryer(s) before servicing.**
- **Close gas shut-off valve to gas dryer(s) before servicing.**
- **Never start the dryer(s) with any guards/panels removed.**
- **Whenever ground wires are removed during servicing, these ground wires must be reconnected to ensure that the dryer is properly grounded.**

W001R1

### 30. HEATER ASSEMBLY (Electric Models)

- a. While supporting the access panel, remove two screws from bottom edge of access panel.
- b. Gently lower the access panel to disengage panel locators from bottom edge of front panel.
- c. Disconnect wires from heater assembly.

**NOTE: Refer to wiring diagram when rewiring heater assembly.**

- d. Set meter to read Ohms. Apply meter probes to the heater assembly terminals. Meter should read as follows: (Cold Ohms).

Heater Element Color Code	KW	Voltage/Hz.	Resistance Reading
Red	5	240 V 60 Hz.	10.39 ± .31 Ohms Cold
White	4.75	208 V 60 Hz.	8.2 ± .5 Ohms Cold
Green	4.8	240 V 50 Hz.	10.75 ± .32 Ohms Cold
Yellow	4	240 V 50 Hz.	13.03 ± .39 Ohms Cold
Blue	3.1	240 V 50 Hz.	16.7 ± .5 Ohms Cold
Orange	5.35	240 V 60 Hz.	9.72 ± .3 Ohms Cold
Purple	4.25	208 V 60 Hz.	9.27 ± .3 Ohms Cold

### 31. CYCLING OR LIMIT THERMOSTAT

- a. While supporting the access panel, remove two screws from bottom edge of access panel.
- b. Gently lower the access panel to disengage panel locators from bottom edge of front panel.
- c. Label and disconnect wires from thermostat.

**NOTE: Refer to wiring diagram when rewiring thermostat.**

#### Cycling Thermostat (S.P.S.T. – 2 Terminals) or Limit Thermostat

- d. Set meter to read Ohms.
  - (1) Apply meter probes to the thermostat terminals.
  - (2) Meter should read “zero.”

### 32. DOOR SWITCH

- a. While supporting the access panel, remove two screws from bottom edge of access panel.
- b. Gently lower the access panel to disengage locators from bottom edge of front panel.
- c. Remove two screws holding bottom tabs on front panel to dryer side panels. Swing bottom of front panel away from dryer far enough to disengage hold-down clips and locators from cabinet top.
- d. Disconnect wires from door switch.

**NOTE: Refer to model wiring diagram when rewiring door switch.**

- e. Set meter to read Ohms and apply meter probes on switch terminals 1 and 3 with door closed. You should get “zero” reading.
- f. Apply probes to terminals 1 and 2 with door closed. The meter should read “infinite”.
- g. Open door. Meter should read “infinite” between 1 and 3 and “zero” between 1 and 2.

# Section 7

## Internal Wiring of Dryer Motor Switch



### WARNING

To reduce the risk of electric shock, fire, explosion, serious injury or death:

- Disconnect electric power to the dryer(s) before servicing.
- Close gas shut-off valve to gas dryer(s) before servicing.
- Never start the dryer(s) with any guards/panels removed.
- Whenever ground wires are removed during servicing, these ground wires must be reconnected to ensure that the dryer is properly grounded.

W001R1

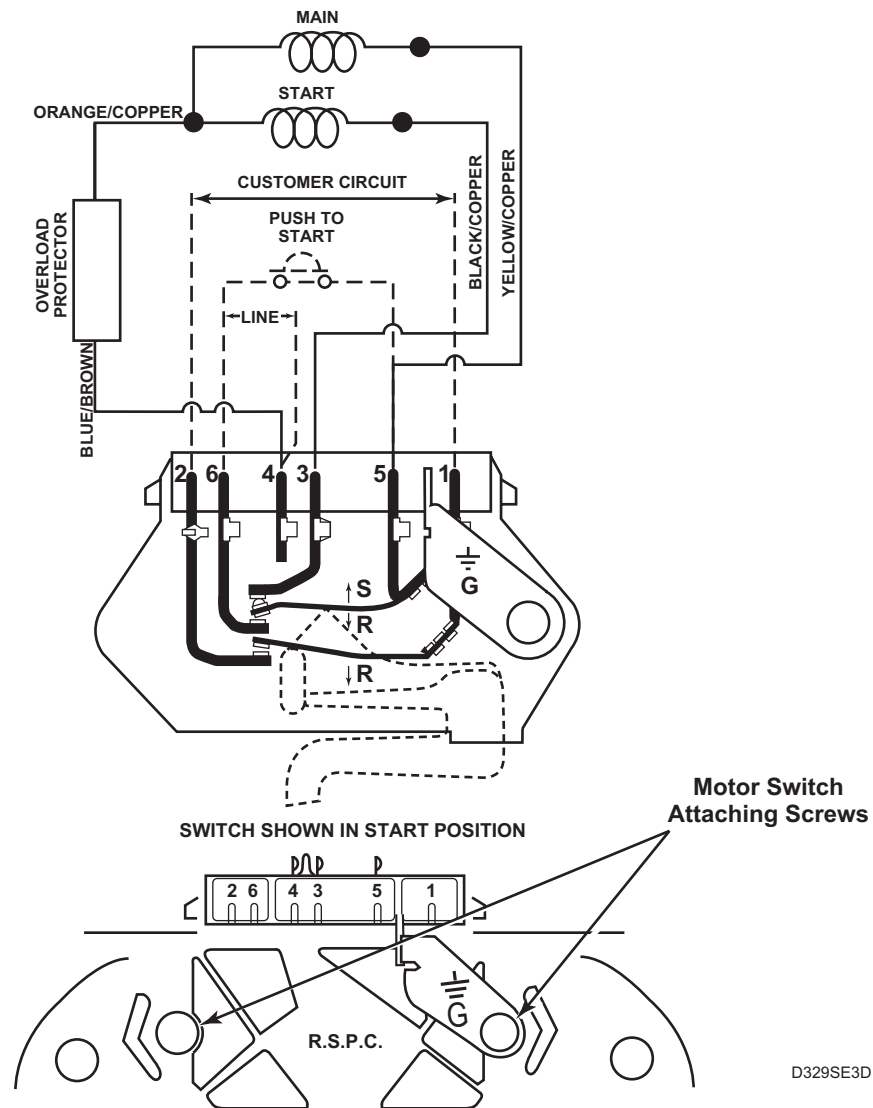


Figure 10

