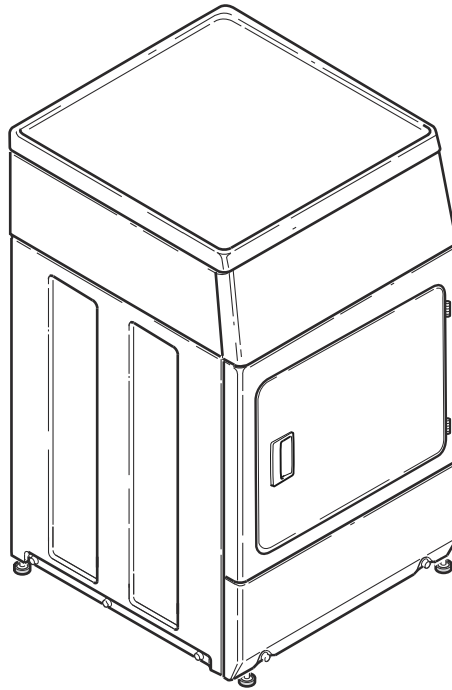


Commercial Dryers

Metered and Nonmetered
Refer to Page 3 for Model Numbers



DRY721C_D516814

Table of Contents

Title	Page
Parts Ordering Information.....	2
Serial Plate Location	2
Model Identification	3
Control Panel and Controls - Rear Control Coin Drop Models.....	4
Control Panel, Control Hood and Controls - Nonmetered Rear Control Models.....	6
Control Panel and Control Hood - Coin Slide Rear Control Models.....	8
Meter Case - Rear Control Coin Drop Models	10
Coin Slide Extension, Meter Case and Control.....	12
Cabinet Top - Rear Control Models	14
Non-Electronic Coin Drop	16
Electronic Coin Drop	18
Control Cabinet Controls - 10 Degree Front Control Coin Models.....	20
Control Cabinet Controls - 10 Degree Front Control Card/OPL Models	22
Control Panel and Controls - 10 Degree Front Control Models (Drawing 1 of 2).....	24
Control Panel and Controls - 10 Degree Front Control Models (Drawing 2 of 2).....	26
Cabinet Top - 10 Degree Front Control Models	28
Loading Door Without Window	30
Loading Door With Window	32
Access Panel, Front Panel and Seal	34
Motor, Exhaust Fan and Belt	36
Front Bulkhead, Air Duct and Felt Seal.....	38
Cylinder Assembly	40
Rear Bulkhead, Felt Seal and Cylinder Roller	42
Terminal Block	44
Heater Duct and Element Assembly - Electric Models.....	46
Heater Duct Assembly	48
Gas Valve, Igniter and Gas Conversion Kits.....	50
Burner Orifice Spuds - For Higher Elevations.....	52
Cabinet, Exhaust Duct and Base	54
Label Location on Rear of Cabinet	56
Power Cord	58
Terminal Block and Terminals	60
Terminals	62
Motor Connection Block and Tools	64
Wire Harnesses and Wires - Front Control Models.....	66
Wire Harnesses and Wires - Rear Control Models	68
Parts Index.....	71

© Copyright 2019, Alliance Laundry Systems LLC

All rights reserved. No part of the contents of this book may be reproduced or transmitted in any form or by any means without the expressed written consent of the publisher.

Parts Ordering Information

If literature or replacement parts are required, contact the source from whom the machine was purchased or contact Alliance Laundry Systems at (920) 748-3950 for the name and address of the nearest authorized parts distributor.

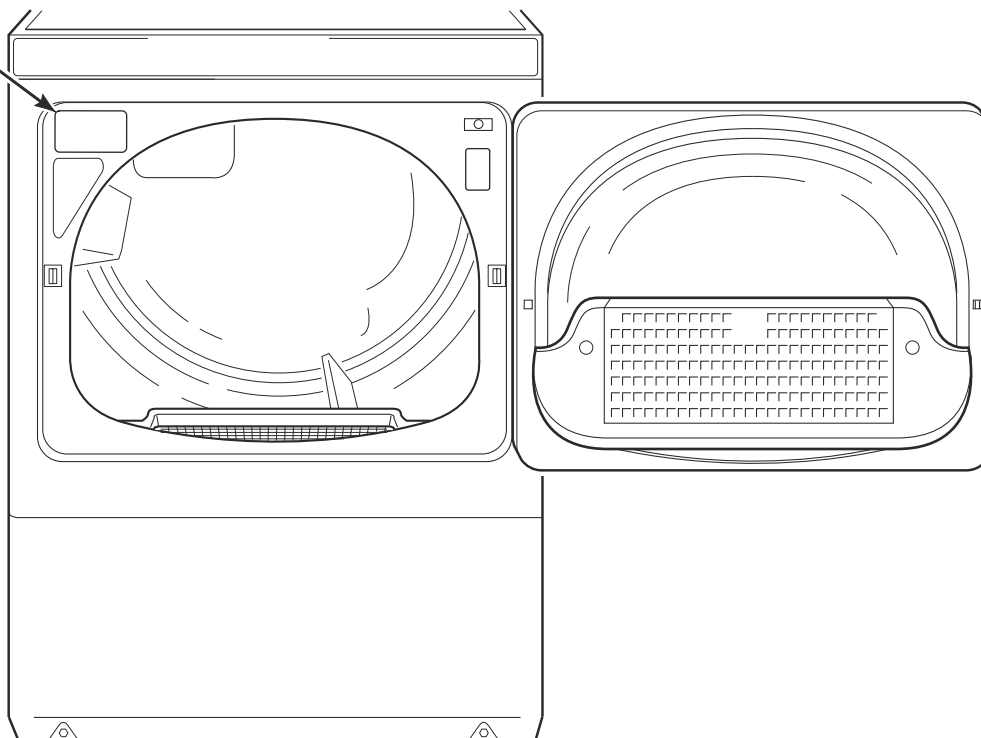
For technical assistance, call the number listed below:

(920) 748-3121 Ripon, Wisconsin

Serial Plate Location

When calling or writing about your product, be sure to mention model and serial numbers. Model and serial numbers are located on serial plate(s) as shown.

SERIAL PLATE



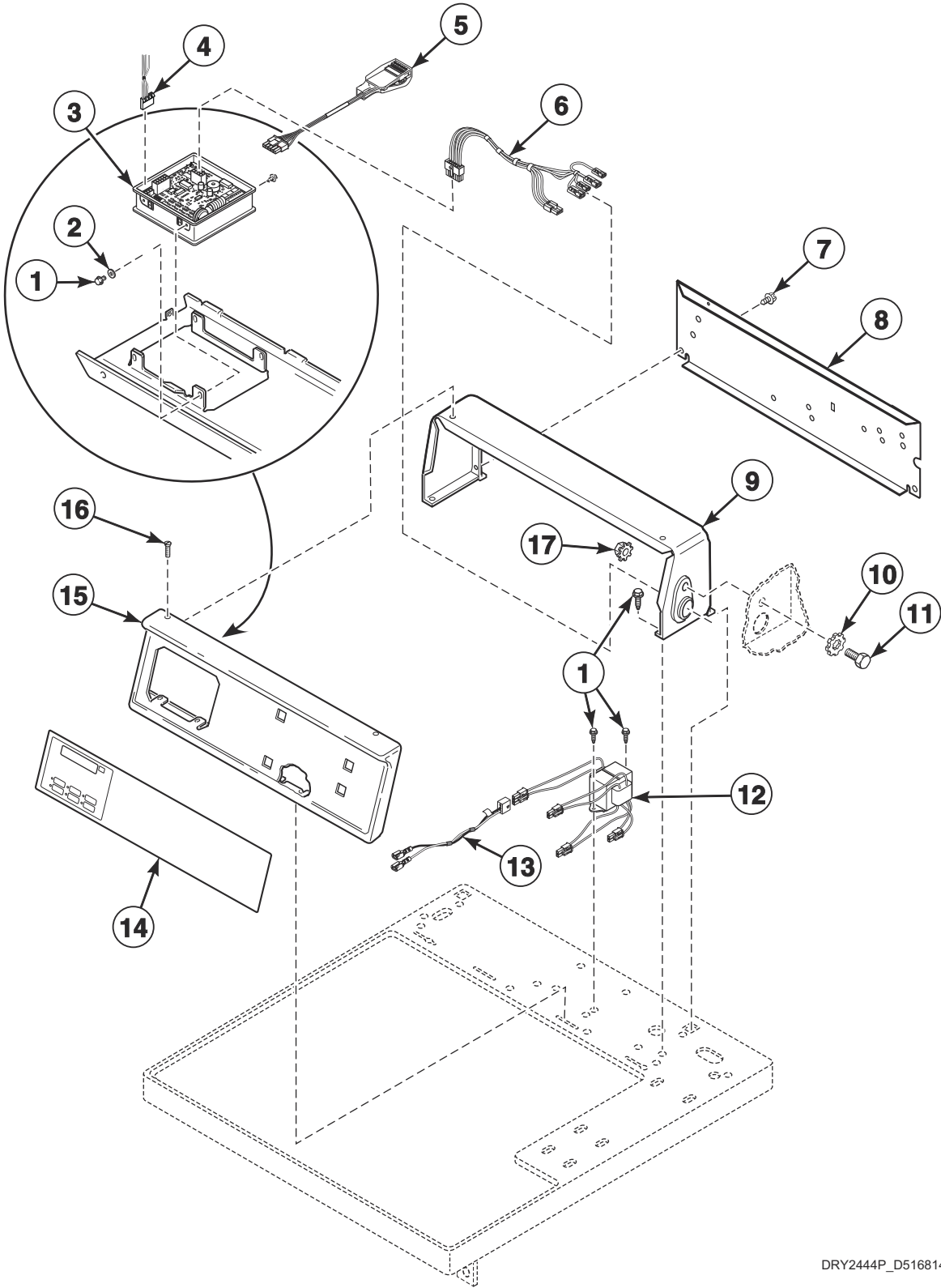
DRY2283P_D516814

Model Identification

Information in this manual is applicable to these dryer models:

BDEBCAGS173TN01	KDEBCACW173CN01	SDEBCAGS173TQ01
BDEBCAGS173TW01	KDEBCACW173TN01	SDEBCAGS173TW01
BDEBCRGS173TW01	KDEBGACW173CN01	SDEBCRGS153TW01
BDEBEAGS173CN01	KDEBGACW173TN01	SDEBCRGS173TQ01
BDEBEAGS173CW01	KDEMNRGS173TW01	SDEBCRGS173TW01
BDEBXAGS173TW01	KDESXRGS173TW01	SDEBCRGS173TW02
BDEBXRGS173TW01	KDGBCACW113CN01	SDEBXAGS173TW01
BDEBYRGS173TW01	KDGBCACW113TN01	SDEBXRGS153TW01
BDEMNRGS173TW01	KDGBGACW113CN01	SDEBXRGS173TW01
BDESXRGS173TW01	KDGBGACW113TN01	SDEBXRGS173TW02
BDGBCAGS113TN01	KDGMNRGS113TW01	SDEBYAGS173TW01
BDGBCAGS113TW01	KDGSXRGS113TW01	SDEBYRGS153TW01
BDGBCRGS113TW01	PDEBCRGS173TG02	SDEBYRGS173TW01
BDGBEAGS113CW01	PDEBCRGS173TW02	SDEMNRGS153TW01
BDGBXAGS113TW01	PDEBERGS173CG02	SDEMNRGS173CW01
BDGBYRGS113TW01	PDEBERGS173CW02	SDEMNRGS173TW01
BDGMNRGS113CW01	PDEBXRGS173CG02	SDESXRGS153CW02
BDGSXRGS113TW01	PDEBXRGS173CW02	SDESXRGS153TW01
HDEBCAGS173TW01	PDEBXRGS173TG02	SDESXRGS173CW02
HDEBCRGS173TW01	PDEBXRGS173TW02	SDESXRGS173TQ01
HDEBERGS153CW01	PDESXRGS173CG02	SDESXRGS173TW01
HDEBERGS173CW01	PDESXRGS173CW02	SDESXRGS173TW02
HDEBXAGS173CW01	PDESXRGS173TG02	SDGBCAGS113TQ01
HDEBXRGS153CW01	PDESXRGS173TW02	SDGBCAGS113TW01
HDEBXRGS173CW01	PDGBCRGS113TG02	SDGBCRGS113TQ01
HDEBYAGS173CW01	PDGBCRGS113TW02	SDGBCRGS113TW01
HDEBYRGS153CW01	PDGBERGS113CG02	SDGBCRGS113TW02
HDEBYRGS173CW01	PDGBERGS113CW02	SDGBXAGS113TW01
HDEBYRGS173TW01	PDGBXRGS113CG02	SDGBXRGS113TQ01
HDEMNRGS173CW01	PDGBXRGS113CW02	SDGBXRGS113TW01
HDESXRGS153CW01	PDGBXRGS113TG02	SDGBXRGS113TW02
HDESXRGS173CW01	PDGBXRGS113TW02	SDGBYAGS113TW01
HDESXRGS173TQ01	PDGSXRGS113CG02	SDGBYRGS113TW01
HDESXRGS173TW01	PDGSXRGS113CW02	SDGMNRGS113CW01
HDGBCAGS113TW01	PDGSXRGS113TG02	SDGMNRGS113TW01
HDGBCRGS113TW01	PDGSXRGS113TW02	SDGSXRGS113CW02
HDGBERGS113CW01		SDGSXRGS113TQ01
HDGBXAGS113CW01		SDGSXRGS113TW01
HDGBXRGS113CW01		SDGSXRGS113TW02
HDGBYAGS113CW01		UDEMNRGS173CW01
HDGBYRGS113CW01		UDGMNRGS113CW01
HDGBYRGS113TW01		
HDGMNRGS113CW01		
HDGSXRGS113CW01		
HDGSXRGS113TQ01		
HDGSXRGS113TW01		

Control Panel and Controls - Rear Control Coin Drop Models

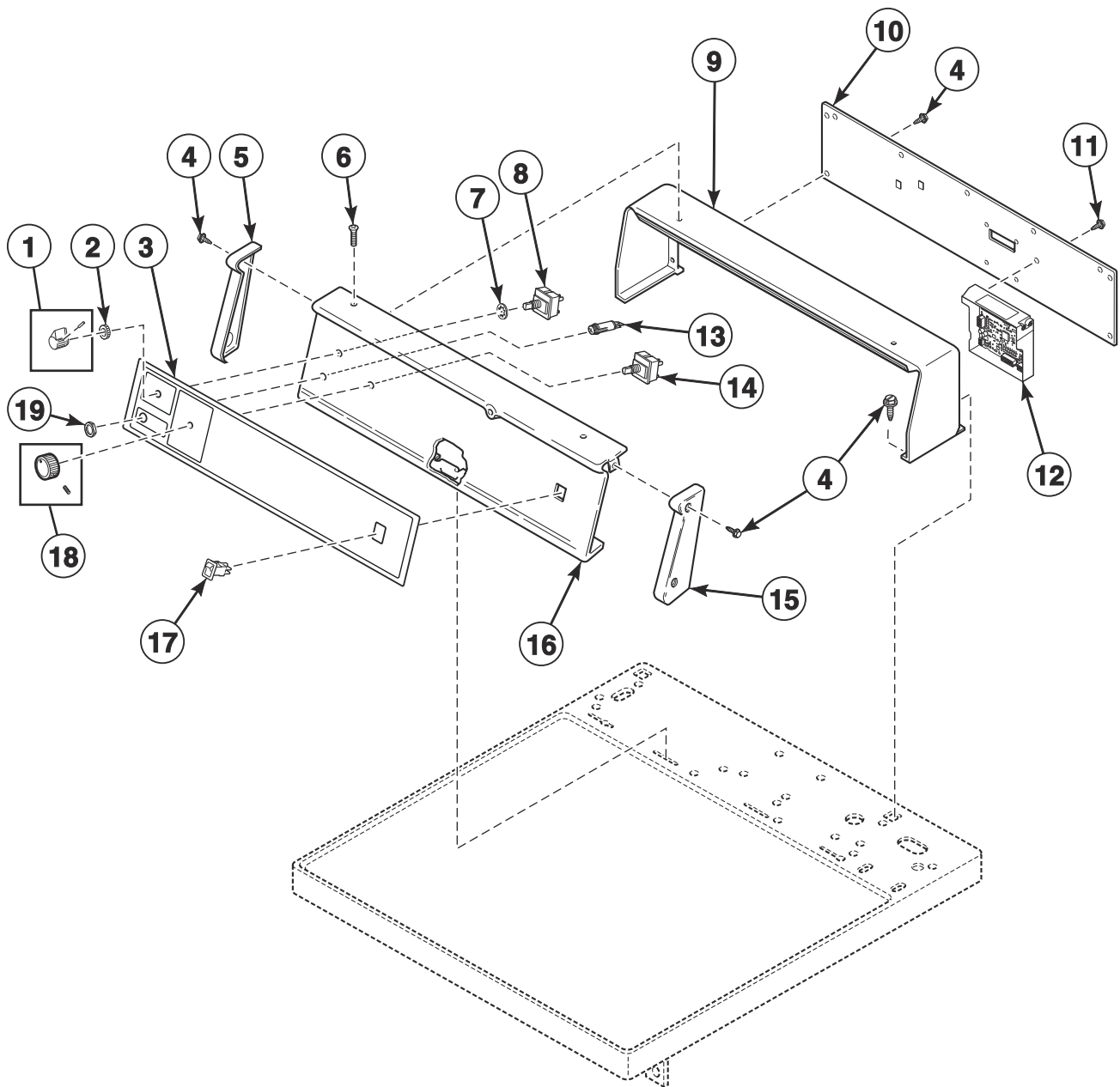


DRY2444P_D516814

Control Panel and Controls - Rear Control Coin Drop Models

REF	PART NO.	DESCRIPTION	COMMENTS
1	D503688	Screw	
2	200608	Washer	
3	D515807P	Control Assembly	
4	D511478	Central Pay Harness	
5	203361P	Machine ID Control Assembly	Model or serial number is required when ordering
6	202871	Dual Coin Harness Assembly	Coin drop
7	D501086	Screw	
8	804886	Hood Back Panel	
9	D502567DG	Control Hood	Models PDEBCRGS173TG02, PDEBERGS173CG02, PDEBXRGS173CG02, PDEBXRGS173TG02, PDGBCRGS113TG02, PDGBERGS113CG02, PDGBXRGS113CG02 and PDGBXRGS113TG02; Gray
	D502567Q	Control Hood	Models SDEBCRGS173TQ01, SDGBCRGS113TQ01 and SDGBXRGS113TQ01; Bisque
	D502567W	Control Hood	All other models; White
10	M400017	Washer	
11	02916	Screw	
12	202757	Transformer	
13	804832	Harness	Models BDGBCRGS113TW01, HDGBCRGS113TW01, HDGBERGS113CW01, HDGBXRGS113CW01, PDGBCRGS113TG02, PDGBCRGS113TW02, PDGBERGS113CG02, PDGBXRGS113CG02, PDGBXRGS113CG02, PDGBXRGS113TW02, SDGBCRGS113TQ01, SDGBCRGS113TW01, SDGBCRGS113TW02, SDGBXRGS113TQ01, SDGBXRGS113TW01 and SDGBXRGS113TW02
	D514073	Transformer Harness	All other models
14	D515553	Control Overlay	Models HDEBCRGS173TW01, HDEBERGS153CW01, HDEBERGS173CW01, HDEBXRGS153CW01, HDEBXRGS173CW01, HDGBCRGS113TW01, HDGBERGS113CW01 and HDGBXRGS113CW01
	D515970	Control Overlay	Models PDEBCRGS173TG02, PDEBCRGS173TW02, PDEBERGS173CG02, PDEBERGS173CW02, PDEBXRGS173CG02, PDEBXRGS173CW02, PDEBXRGS173TG02, PDEBXRGS173TW02, PDGBCRGS113TG02, PDGBCRGS113TW02, PDGBERGS113CG02, PDGBERGS113CW02, PDGBXRGS113CG02, PDGBXRGS113CW02, PDGBXRGS113TG02 and PDGBXRGS113TW02
	D515558	Control Overlay	Models BDEBCRGS173TW01, BDEBXRGS173TW01 and BDGBCRGS113TW01
	D515527	Control Overlay	All other models
15	D510067Q	Control Panel	Models SDEBCRGS173TQ01, SDGBCRGS113TQ01 and SDGBXRGS113TQ01; Bisque
	D510067DG	Control Panel	Models PDEBCRGS173TG02, PDEBERGS173CG02, PDEBXRGS173CG02, PDEBXRGS173TG02, PDGBCRGS113TG02, PDGBERGS113CG02, PDGBXRGS113CG02 and PDGBXRGS113TG02; Gray
	D510067W	Control Panel	All other models; White
16	52864	Screw	Phillips head
	35528	Screw	Torx head
17	52566	Nut	

Control Panel, Control Hood and Controls - Nonmetered Rear Control Models

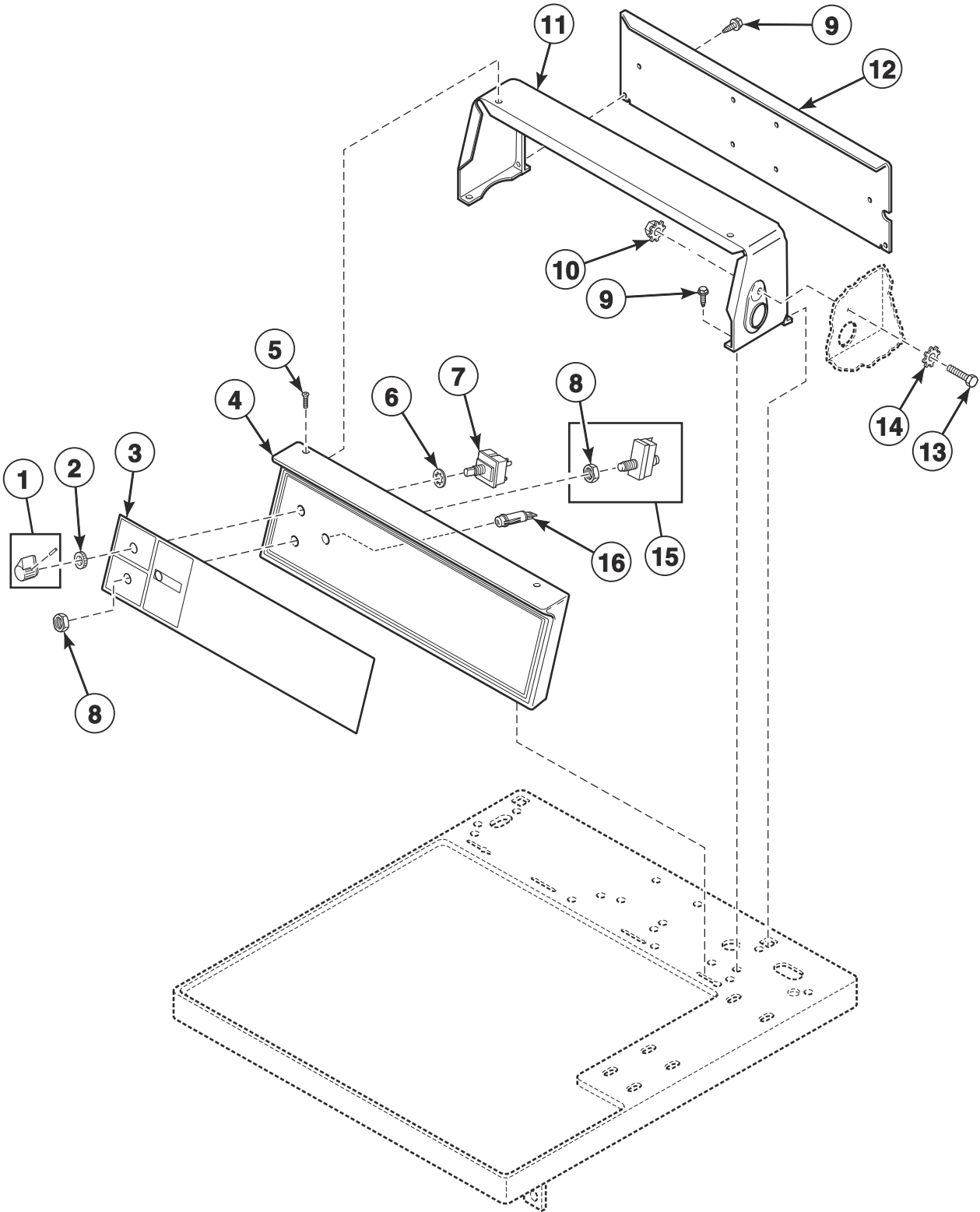


DRY2503P_D516814

Control Panel, Control Hood and Controls - Nonmetered Rear Control Models

REF	PART NO.	DESCRIPTION	COMMENTS
1	39897	Switch Knob	
2	24205	Nut	
3	D515557	Control Panel Overlay	Models BDEMNRGS173TW01 and BDGMNRGS113CW01
	D515552	Control Overlay	Models HDEMNRGS173CW01 and HDGMNRGS113CW01
	D515568	Control Panel Overlay	Models KDEMNRGS173TW01 and KDGMNRGS113TW01
	D515562	Control Overlay	Models UDEMNRGS173CW01 and UDGMNRGS113CW01
	D515526	Control Panel Overlay	All other models
4	D501086	Screw	
5	210109W	End Cap	Left
6	52864	Screw	Phillips head
	35528	Screw	Torx head
7	91176	Washer	
8	201686	Cycle Selector Switch	
9	D511253W	Control Hood	
10	D511254	Rear Panel	
11	804608	Screw	
12	D514218	Control Assembly	
13	801431	Light	
14	D511711	Temperature Selector Switch	
15	210108W	End Cap	Right
16	D515578W	Control Panel Assembly	
17	70455101	Rocker Switch	
18	54678	Timer Knob	
19	52947	Nut	

Control Panel and Control Hood - Coin Slide Rear Control Models

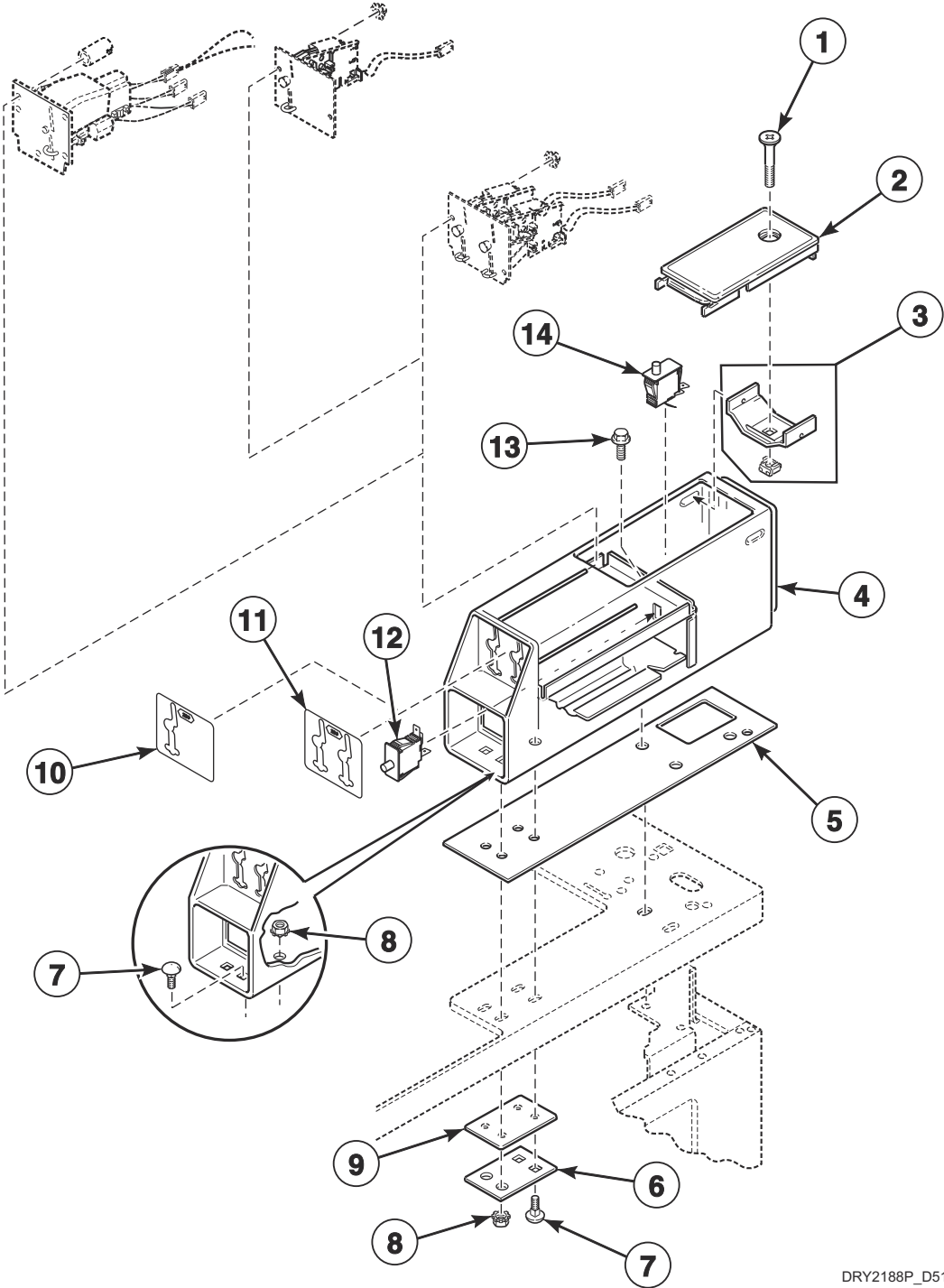


DRY2504P_D516814

Control Panel and Control Hood - Coin Slide Rear Control Models

REF	PART NO.	DESCRIPTION	COMMENTS
1	39897	Switch Knob	
2	24205	Nut	
3	D515567	Control Panel Overlay	Models KDESXRG173TW01 and KDGXRG113TW01
	D516474	Control Panel Overlay	Models PDESXRG173CG02, PDESXRG173CW02, PDESXRG173TG02, PDESXRG173TW02, PDGSXRG113CG02, PDGSXRG113CW02, PDGSXRG113TG02 and PDGSXRG113TW02
	D515551	Control Panel Overlay	Models HDESXRG153CW01, HDESXRG173CW01, HDESXRG173TQ01, HDESXRG173TW01, HDGSXRG113CW01, HDGSXRG113TQ01 and HDGSXRG113TW01
	D515556	Control Panel Overlay	Models BDESXRG173TW01 and BDGSXRG113TW01
	D515525	Control Panel Overlay	All other models
4	D501738W	Control Panel and Bracket Assembly	White
	D501738Q	Control Panel and Bracket Assembly	Bisque
5	52864	Screw	
	35528	Screw	Optional for added security
6	91176	Washer	
7	D511711	Temperature Selector Switch	
8	52947	Nut	
9	D501086	Screw	
10	29786	Nut	White
11	D502567W	Control Hood	White
	D502567Q	Control Hood	Bisque
12	804886	Hood Back Panel	
13	02916	Screw	
14	M400017	Washer	
15	55882	Switch Assembly	Includes item 8
16	801431	Light	

Meter Case - Rear Control Coin Drop Models



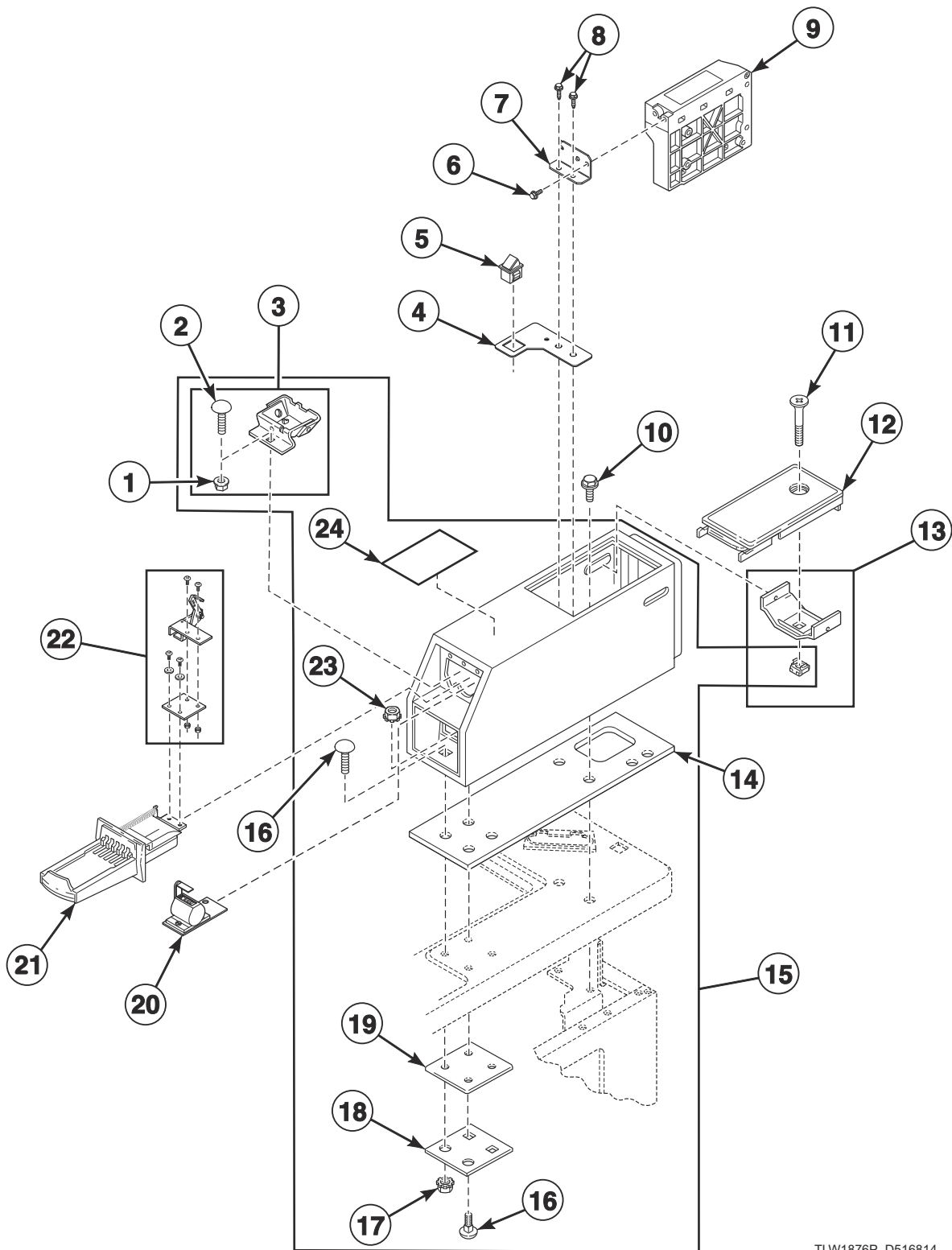
DRY2188P_D516814

Meter Case - Rear Control Coin Drop Models

REF	PART NO.	DESCRIPTION	COMMENTS
	D513371	Read Instructions Label	
1	D503673	Screw	
2	39874WP	Service Door Assembly	White
	39874QP	Service Door Assembly	Bisque
	39874DG	Service Door Assembly	Gray
3	204616	Meter Case Locking Bracket Kit	
4	803063DG	Meter Case Assembly	Models PDEBCRGS173TG02, PDEBXRGS173CG02, PDEBXRGS173TG02, PDGBCRGS113TG02, PDGBXRGS113CG02 and PDGBXRGS113TG02
	807401W	Meter Case Assembly Kit	Models PDEBCRGS173TW02, PDEBXRGS173CW02, PDEBXRGS173TW02, PDGBCRGS113TW02, PDGBXRGS113CW02, PDGBXRGS113TW02, SDEBCRGS173TW02, SDEBXRGS173TW02, SDGBCRGS113TW02 and SDGBXRGS113TW02
	38724Q	Meter Case Assembly	Models SDEBCRGS173TQ01, SDGBCRGS113TQ01 and SDGBXRGS113TQ01
	802505W	Meter Case Assembly	Models HDEBERGS153CW01, HDEBERGS173CW01, HDGBERGS113CW01, PDEBERGS173CW02 and PDGBERGS113CW02
	807098DG	Meter Case	Models PDEBERGS173CG02 and PDGBERGS113CG02
	202877W	Meter Case Assembly	White; All other models
5	26354	Meter Case Gasket	
6	35525	Meter Case Lockdown Bracket	
7	203798	Bolt	
8	29786	Nut	
9	35526	Meter Case Bracket Gasket	
10	38717	Single Overlay	For non-electronic coin drops
	201091	Overlay	For electronic coin drops
11	39073	Dual Overlay	
12	D512973	Switch	Through Serial No.1810000001
	70529301	Switch	Starting Serial No.1810000001
13	36048	Screw	
14	D512973	Switch	Through Serial No.1810000001

Coin Slide Extension, Meter Case and Control

Coin Slide Models

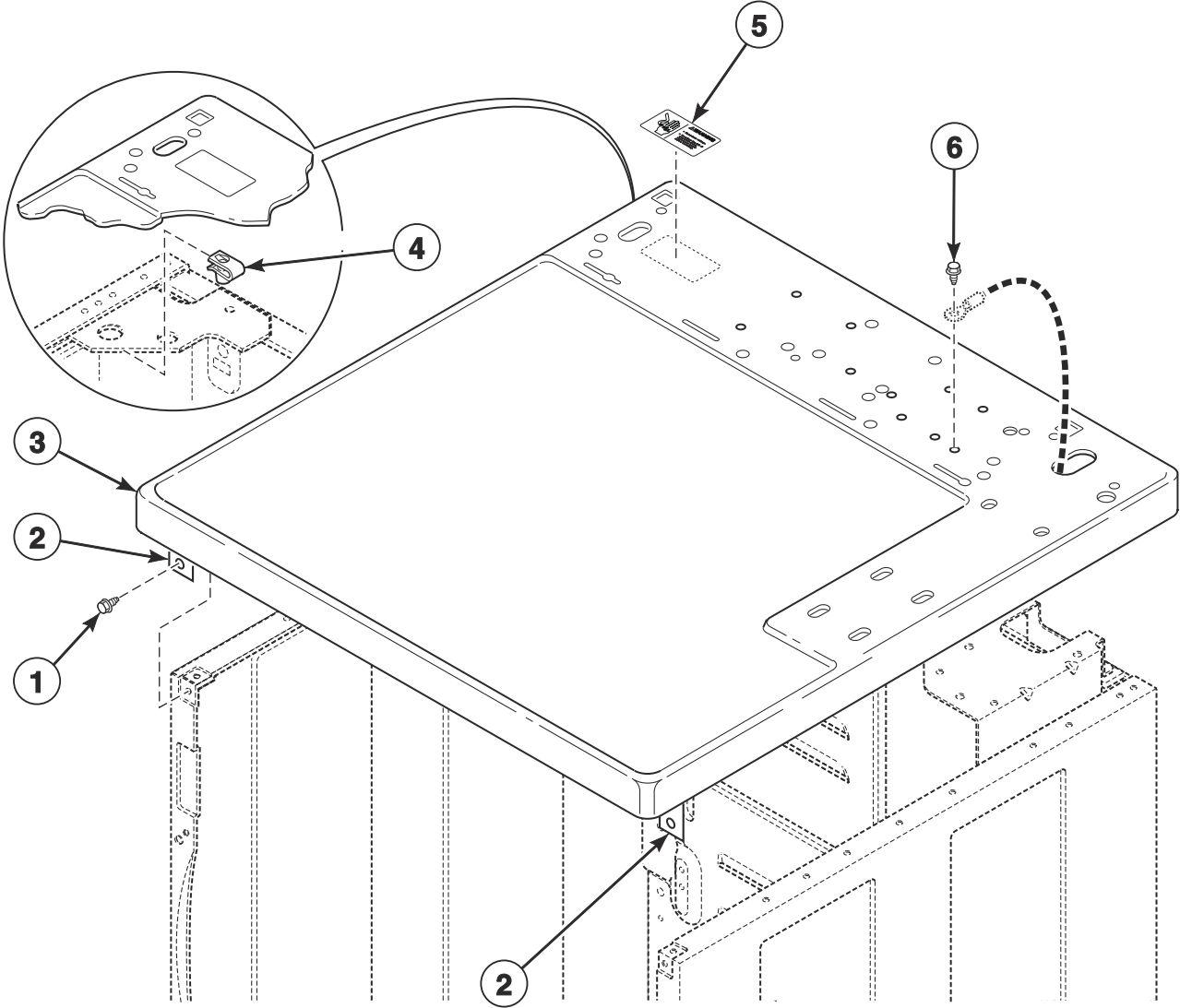


TLW1876P_D516814

Coin Slide Extension, Meter Case and Control

REF	PART NO.	DESCRIPTION	COMMENTS
1	29796	Nut	
2	29651	Bolt	
3	523P3	Coin Funnel Kit	
4	803662	Bracket	
5	431159	Switch	
6	D501524	Screw	
7	201581	Chassis Mounting Bracket	
8	D503688	Screw	
9	D514218	Control Assembly	
10	36048	Screw	
11	D503673	Screw	
12	39874QP	Service Door Assembly	Bisque; Models HDESXRG173TQ01, HDGSXRG113TQ01, SDESXRG173TQ01 and SDGSXRG113TQ01
	39874DG	Service Door Assembly	Gray; Models PDESXRG173CG02, PDESXRG173TG02, PDGSXRG113CG02 and PDGSXRG113TG02
	39874WP	Service Door Assembly	White; All other models
13	204616	Meter Case Locking Bracket Kit	
14	26354	Meter Case Gasket	
15	803575WP	Meter Case Assembly Kit	White; Models PDESXRG173CW02, PDESXRG173TW02, PDGSXRG113CW02, PDGSXRG113TW02, SDESXRG153CW02, SDESXRG173CW02, SDESXRG173TW02, SDGSXRG113CW02 and SDGSXRG113TW02
	803575DG	Meter Case Assembly Kit	Gray; Models PDESXRG173CG02, PDESXRG173TG02, PDGSXRG113CG02 and PDGSXRG113TG02
	201010QP	Meter Case Kit	Bisque; Includes items 3, 13, 14, 16-19 and 23; Models HDESXRG173TQ01, HDGSXRG113TQ01, SDESXRG173TQ01 and SDGSXRG113TQ01
	201010WP	Meter Case Kit	White; Includes items 3, 13, 14, 16-19 and 23; All other models
16	203798	Bolt	
17	29786	Nut	
18	35525	Meter Case Lockdown Bracket	
19	35526	Meter Case Bracket Gasket	
20	201280P	Mechanical Counter Kit Assembly	
21	CK001	Coin Slide Kit	U.S.A.
	CK009	Coin Slide Kit	STD-118-1 Token
	CK010P	Coin Slide Kit	STD-118-5 Token
	CK011	Coin Slide Kit	STD-118-10 Token
	CK014	Coin Slide Kit	U.S.A.
	CK017	Coin Slide Kit	Chilly Willy
	CK027	Slide	Tokette
22	200913	Coin Slide Extension Kit	Includes spring and items 4 and 5
	804794	Spring	
23	802337	Nut	
24	D500628	Instruction Label	

Cabinet Top - Rear Control Models



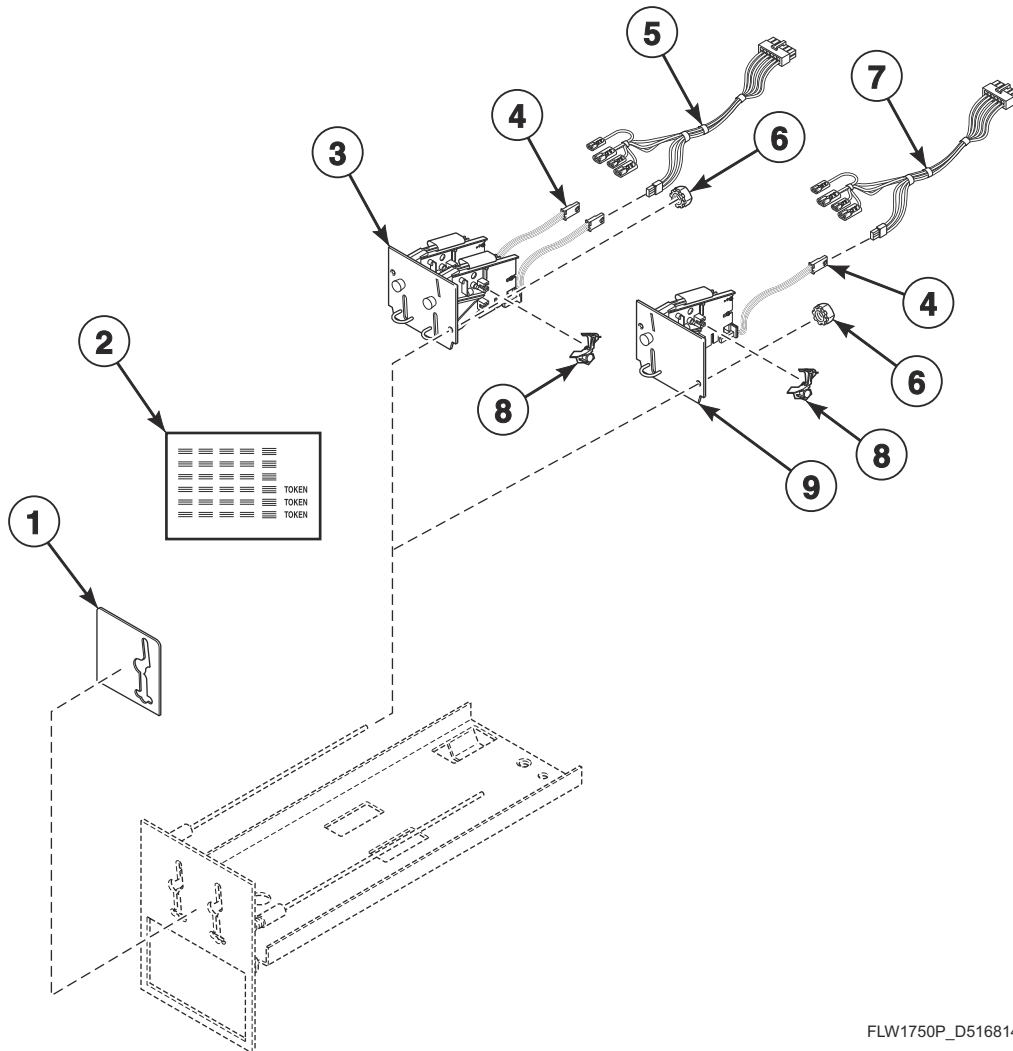
DRY2181P_D516814

Cabinet Top - Rear Control Models

REF	PART NO.	DESCRIPTION	COMMENTS
1	D503688	Screw	
2	D510146	Bracket	
3	D511530WP	Top Panel Kit	White; Includes item 2; Models BDEMNRGS173TW01, BDGMNRGS113CW01, HDEMNRGS173CW01, HDGMNRGS113CW01, KDEMNRGS173TW01, KDGMNRGS113TW01, SDEMNRGS153TW01, SDEMNRGS173CW01, SDEMNRGS173TW01, SDGMNRGS113CW01, SDGMNRGS113TW01, UDEMNRGS173CW01 and UDGMNRGS113CW01
	D505885DG	Top Panel	Gray; Models PDEBCRGS173TG02, PDEBERGS173CG02, PDEBXRGS173CG02, PDEBXRGS173TG02, PDESXRGS173CG02, PDESXRGS173TG02, PDGBCRGS113TG02, PDGBERGS113CG02, PDGBXRGS113CG02, PDGBXRGS113TG02, PDGSXRGS113CG02 and PDGSXRGS113TG02
	D511527QP	Top Kit	Bisque; Includes item 2; Models HDESXRGS173TQ01, HDGSXRGS113TQ01, SDEBCRGS173TQ01, SDESXRGS173TQ01, SDGBCRGS113TQ01, SDGBXRGS113TQ01 and SDGSXRGS113TQ01
	D511527WP	Top Kit	White; All other models
4	27222	Nut	
5	D500316	Warning Label	
6	D503688	Screw	

Non-Electronic Coin Drop

Coin Drop Models



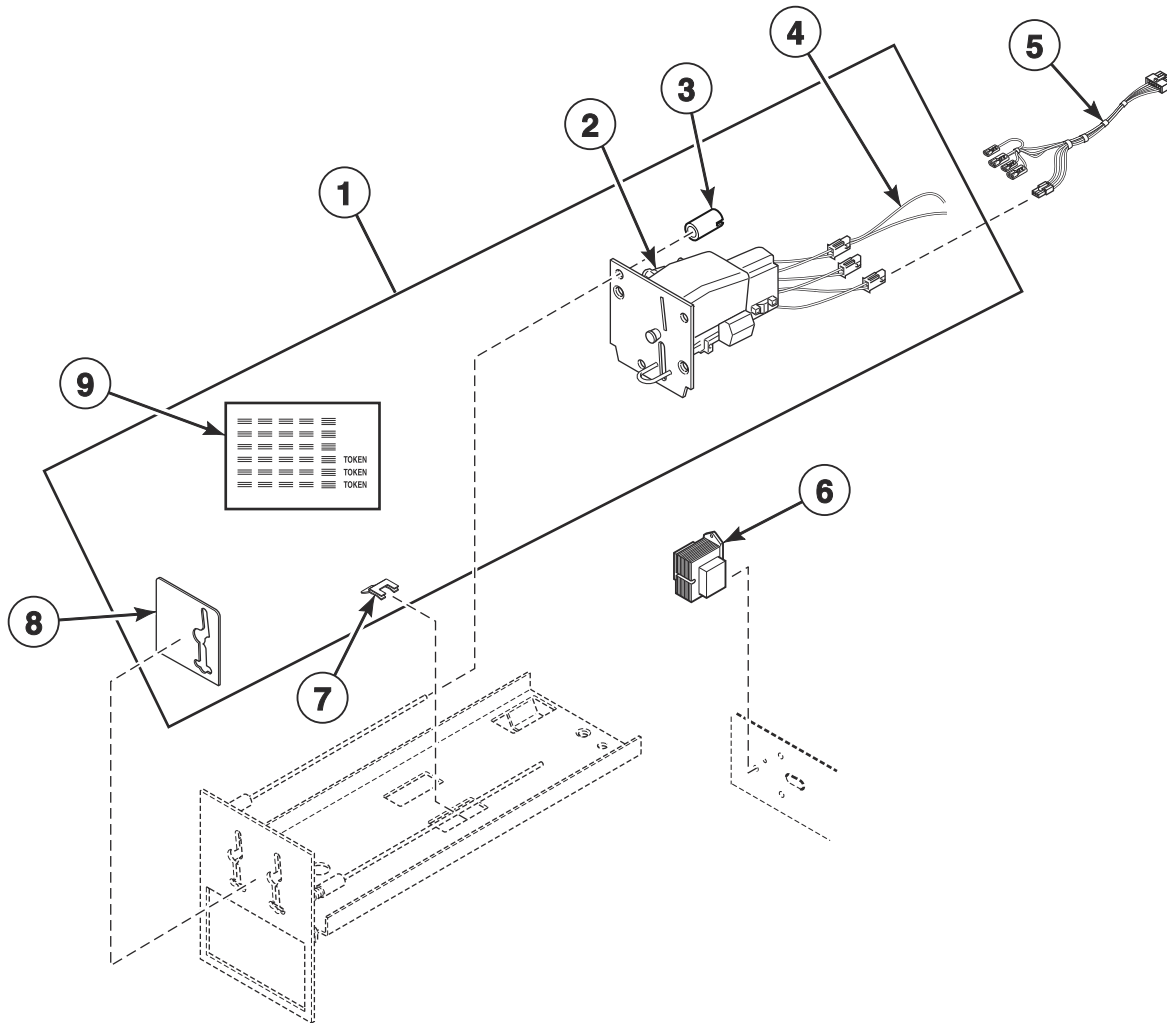
FLW1750P_D516814

Non-Electronic Coin Drop

REF	PART NO.	DESCRIPTION	COMMENTS
1	38717	Single Overlay	
2	38725	Coin Identification Paper	
3	70441602	Coin Drop Assembly	Canada; 0.25 and 1.00
	70441603	Coin Drop	U.S.A.; \$0.25 and \$1.00
4	200674P	Opto Coupler	
5	202871	Dual Coin Harness Assembly	Through Serial No. 1810000001
	806827	Dual Coin Harness Assembly	Starting Serial No. 1810000001
6	29786	Nut	
7	202870	Single Coin Harness Assembly	Through Serial No. 1810000001
	806826	Single Coin Harness Assembly	Starting Serial No. 1810000001
8	201595P	Wire Guard	Anti-stringing security device
9	70441601P	Coin Drop	U.S.A.; \$0.25
	38464P	Coin Drop Assembly	Canada; 0.25
	38462P	Coin Drop Assembly	Token; STD-118-1
	38463	Coin Drop Assembly	Token; STD-118-5
	38963P	Coin Drop	Token 118-16 not available; Replacement for 38963P Con Drop only

Electronic Coin Drop

Coin Drop Models

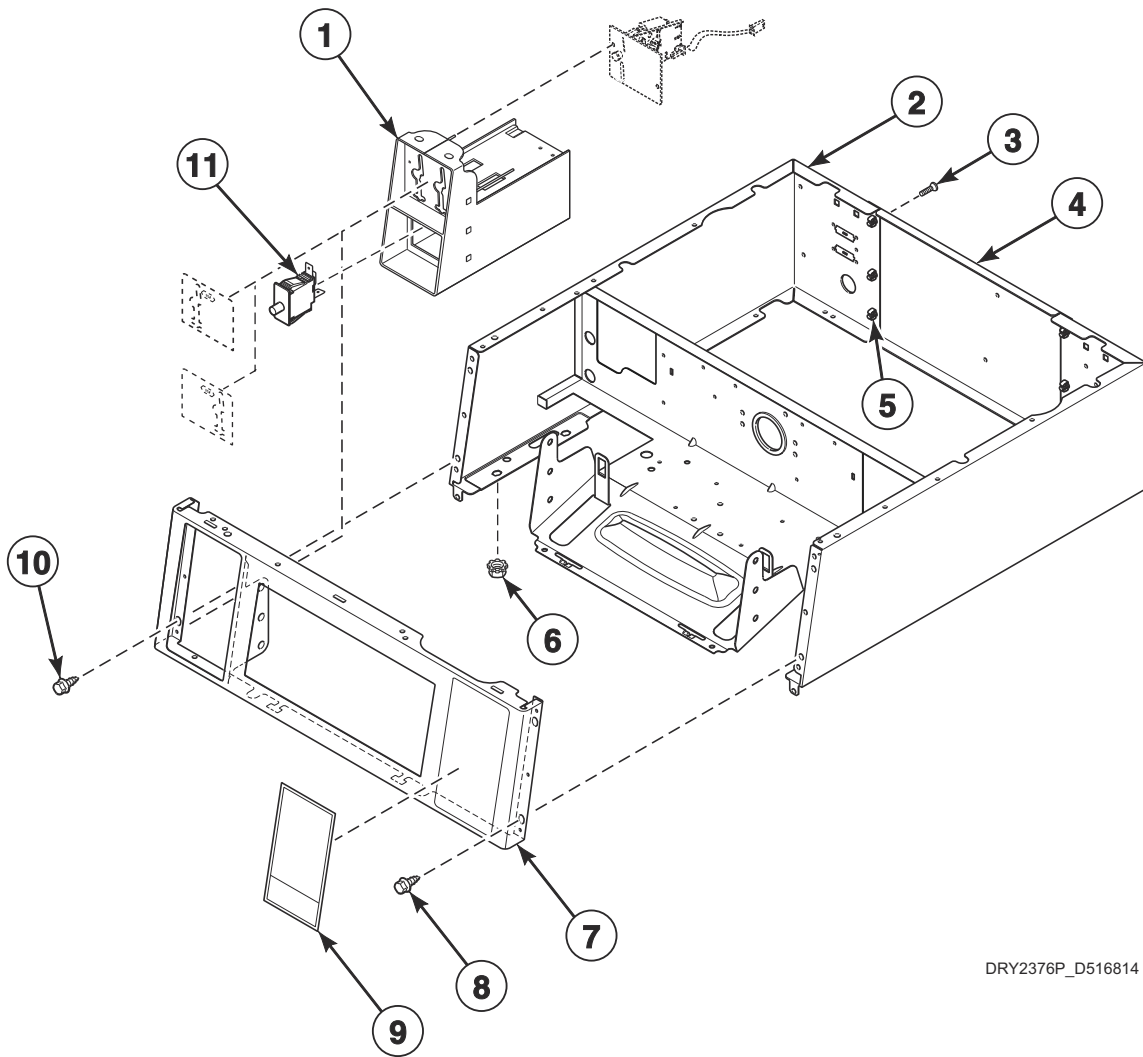


FLW1005P_D516814

Electronic Coin Drop

REF	PART NO.	DESCRIPTION	COMMENTS
1	CK110	Electronic Coin Drop Kit	Includes items 2-3 and 7-9; Mexico, Ecuador and United States coins
	CK115	Electronic Coin Drop Kit	Includes items 2-3 and 7-9; United States and Canada coins
2	70294106	Electronic Coin Drop Assembly	Mexico, Ecuador and Unites States coins
	70294122	Electronic Coin Drop Assembly	Great Britain and token coins
3	201216	Nut	
	29786	Nut	Use on front control models with no guide rods
4	201104	Coin Drop Wire Harness	
5	802905	Harness Assembly	Electronic coin drop requires this harness. If unit is not factory-equipped with this harness, it must be ordered separately; Through Serial No. 1810000001
	806827	Dual Coin Harness Assembly	Electronic coin drop requires this harness. If unit is not factory-equipped with this harness, it must be ordered separately; Starting Serial No. 1810000001
6	201375P	Transformer	Electronic coin drop requires this transformer. If unit is not factory-equipped with this transformer, it must be ordered separately.
7	201572	Clip	
8	201091	Overlay	
9	38725	Coin Identification Paper	

Control Cabinet Controls - 10 Degree Front Control Coin Models



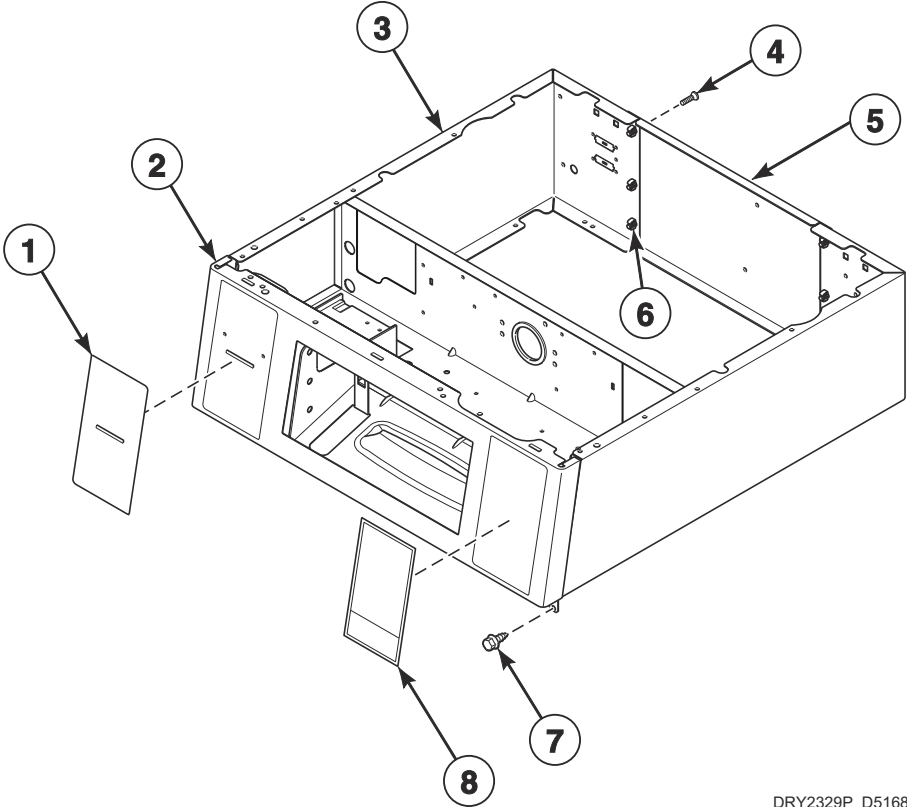
DRY2376P_D516814

Control Cabinet Controls - 10 Degree Front Control Coin Models

REF	PART NO.	DESCRIPTION	COMMENTS
1	807396W	Meter Case Assembly	White; Requires high capacity coin vault
	807396B	Meter Case Assembly	Black
	804009Q	Meter Case Assembly	Bisque
2	804104W	Wrapper Assembly	White
	804104B	Wrapper Assembly	Black
	804104Q	Wrapper Assembly	Bisque
3	70240301	Screw	6 required
4	803998	Rear Access Panel	
5	70030501	Expansion Clip	6 required
6	44087201	Nut	
7	803962WP	Control Panel	White
	803962BP	Control Panel	Black
	803962Q	Control Panel	Bisque
8	M405188	Screw	Use with stainless steel side panels
	D503688	Screw	Use with painted side panels
9	D514393	Operating Instructions Label	
10	29651	Bolt	
11	D512973	Switch	

Control Cabinet Controls - 10 Degree Front Control Card/OPL Models

Models HDEBYAGS173CW01, HDGBYAGS113CW01, KDEBGACW173CN01, KDEBGACW173TN01, KDGBGACW113CN01, KDGBGACW113TN01, SDEBYAGS173TW01 and SDGBYAGS113TW01

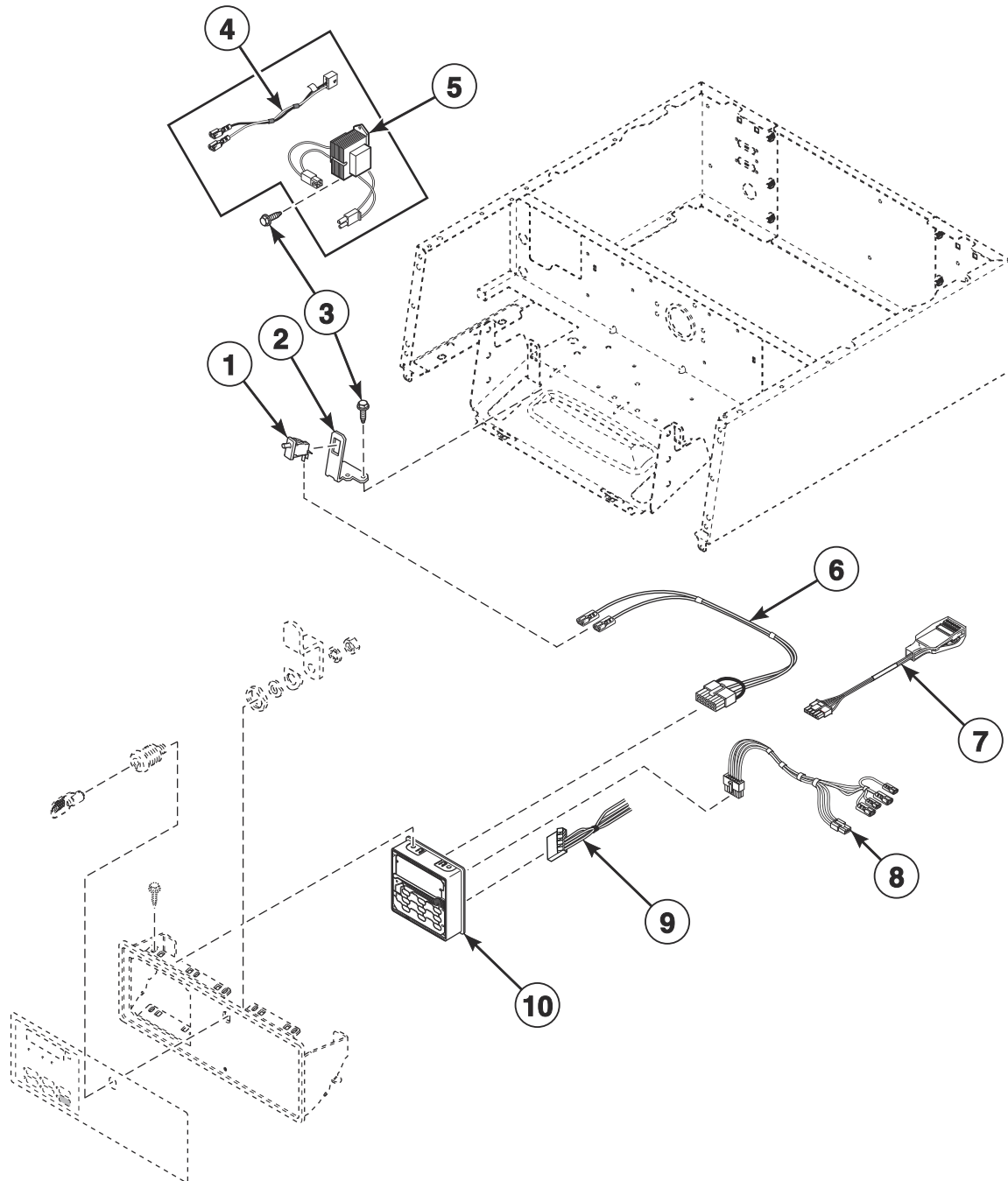


DRY2329P_D516814

Control Cabinet Controls - 10 Degree Front Control Card/OPL Models

REF	PART NO.	DESCRIPTION	COMMENTS
1	D514391	Card Insert Overlay	Models SDEBYAGS173TW01 and SDGBYAGS113TW01
	D514873	Overlay	Models HDEBYAGS173CW01 and HDGBYAGS113CW01
2	D515215	Control Panel Assembly	Gray; Models KDEBGACW173CN01, KDEBGACW173TN01, KDGBGACW113CN01 and KDGBGACW113TN01
	804149WP	Security Cabinet Assembly	White; All other models
3	D515216	Security Wrapper Assembly	Gray; Models KDEBGACW173CN01, KDEBGACW173TN01, KDGBGACW113CN01 and KDGBGACW113TN01
	804112W	Wrapper Assembly	White; All other models
4	70240301	Screw	6 required
5	803998	Rear Access Panel	
6	70030501	Expansion Clip	6 required
7	D503688	Screw	
8	D515211	Instruction Overlay	Models KDEBGACW173CN01, KDEBGACW173TN01, KDGBGACW113CN01 and KDGBGACW113TN01
	D514393	Operating Instructions Label	All other models

Control Panel and Controls - 10 Degree Front Control Models (Drawing 1 of 2)

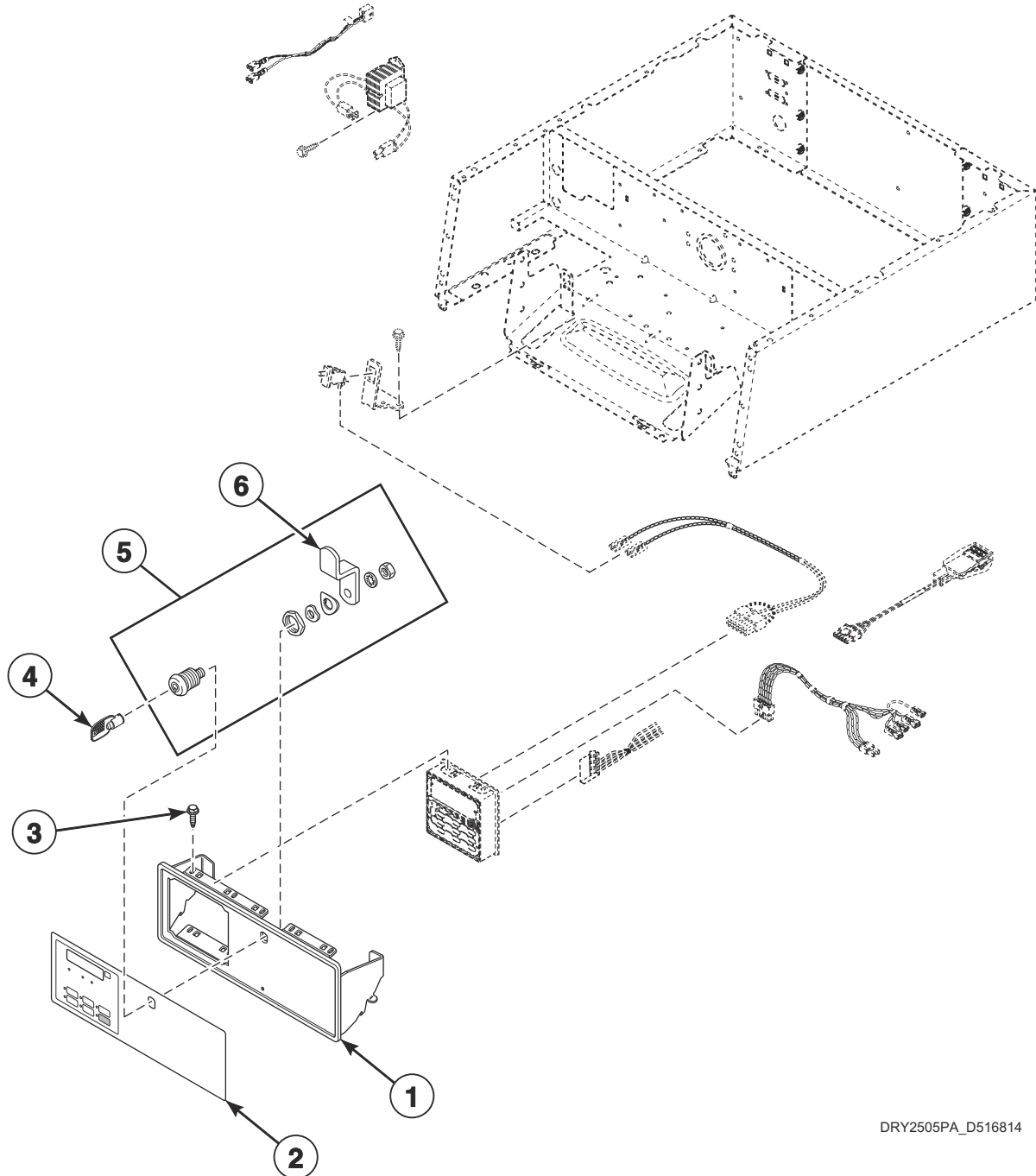


DRY2505P_D516814

Control Panel and Controls - 10 Degree Front Control Models (Drawing 1 of 2)

REF	PART NO.	DESCRIPTION	COMMENTS
1	D512973	Switch	
2	800379	Audit Switch Bracket	
3	D503661	Screw	
4	D514072	Transformer Harness	Models BDEBCAGS173TN01, BDEBCAGS173TW01, BDEBEAGS173CN01, BDEBEAGS173CW01, BDEBXAGS173TW01, HDEBCAGS173TW01, HDEBXAGS173CW01, HDEBYAGS173CW01, KDEBCACW173CN01, KDEBCACW173TN01, KDEBGACW173CN01, KDEBGACW173TN01, SDEBCAGS173TQ01, SDEBCAGS173TW01, SDEBXAGS173TW01 and SDEBYAGS173TW01
	804795	Transformer Harness	All other models
5	202757	Transformer	
6	202868	Wiring Harness Assembly	Diagnostic
7	203361P	Machine ID Control Assembly	Model or serial number is required when ordering
8	202870	Single Coin Harness Assembly	
	202871	Dual Coin Harness Assembly	
9	805427	Central Pay Harness	
10	D515808	Control Assembly	

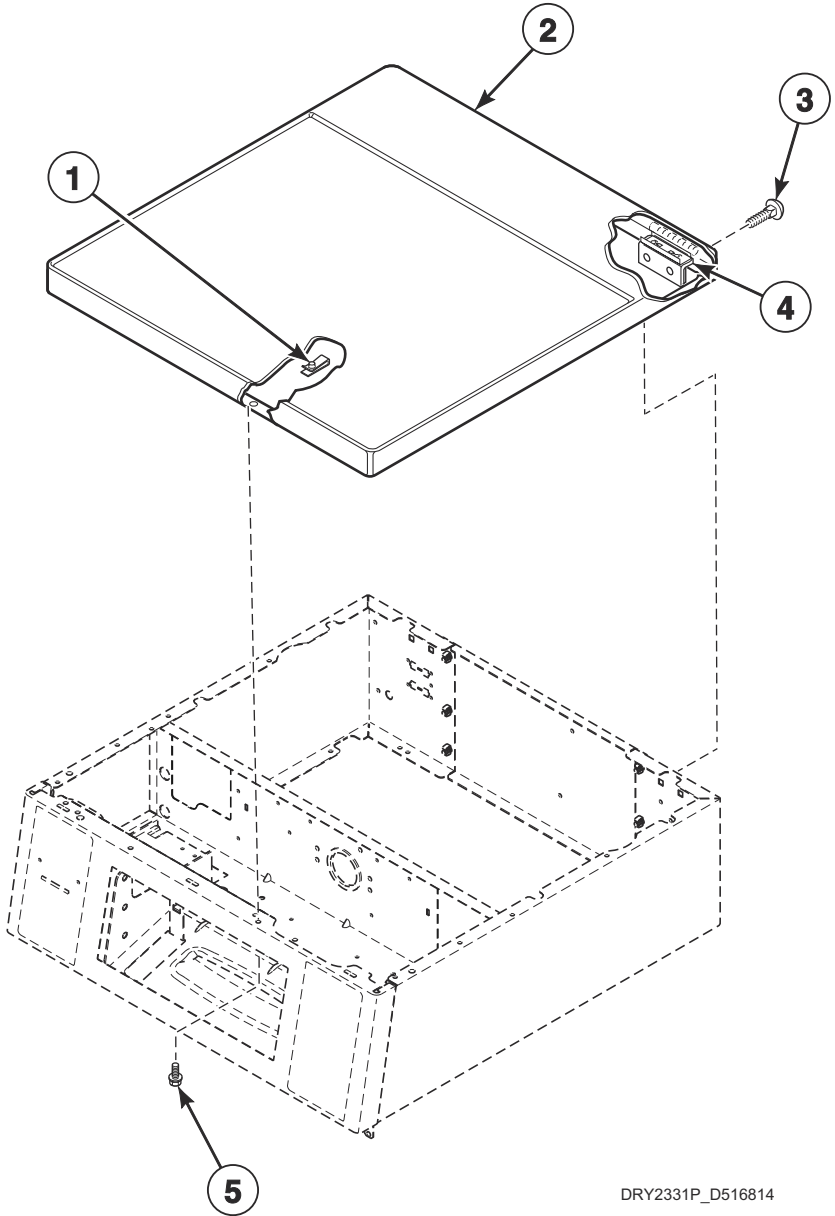
Control Panel and Controls - 10 Degree Front Control Models (Drawing 2 of 2)



Control Panel and Controls - 10 Degree Front Control Models (Drawing 2 of 2)

REF	PART NO.	DESCRIPTION	COMMENTS
1	D513777W	Control Panel and Bracket Assembly	White
	D513777B	Control Panel and Bracket Assembly	Black
	D513777Q	Control Panel and Bracket Assembly	Bisque
2	D515529	Control Overlay	Models SDEBCAGS173TQ01, SDEBCAGS173TW01, SDEBXAGS173TW01, SDEBYAGS173TW01, SDGBCAGS113TQ01, SDGBCAGS113TW01, SDGBXAGS113TW01 and SDGBYAGS113TW01
	D515560	Control Overlay	Models BDEBCAGS173TN01, BDEBCAGS173TW01, BDEBEAGS173CN01, BDEBEAGS173CW01, BDEBXAGS173TW01, BDGBCAGS113TN01, BDGBCAGS113TW01, BDGBEAGS113CW01 and BDGBXAGS113TW01
	D515571	Control Overlay	Models KDEBCACW173CN01, KDEBCACW173TN01, KDEBGACW173CN01, KDEBGACW173TN01, KDGBCACW113CN01, KDGBCACW113TN01, KDGBGACW113CN01 and KDGBGACW113TN01
	D515555	Control Overlay	All other models
3	D501524	Screw	
4	54612	Key	800
5	27260P	Lock Kit	Includes item 4
6	804338	Lock Cam	

Cabinet Top - 10 Degree Front Control Models



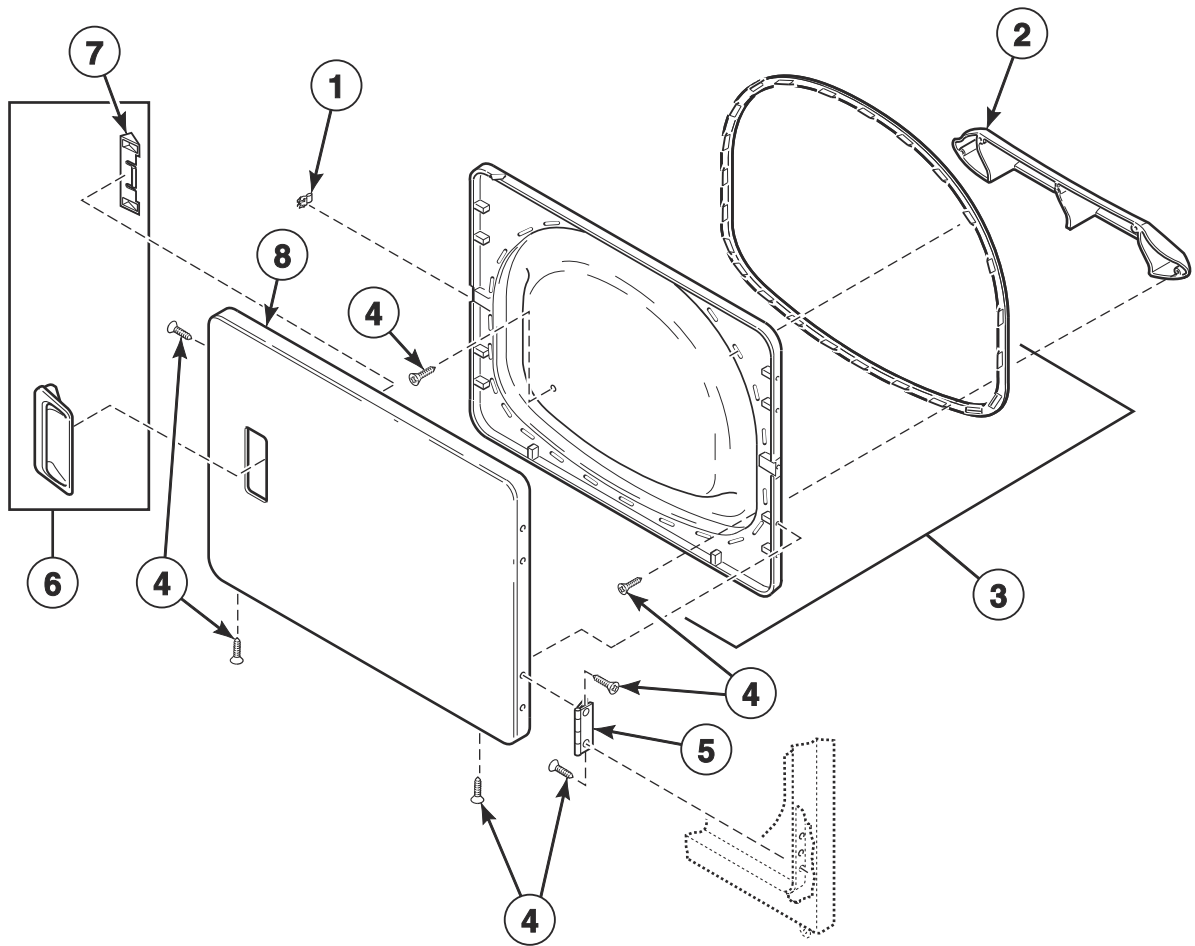
DRY2331P_D516814

Cabinet Top - 10 Degree Front Control Models

REF	PART NO.	DESCRIPTION	COMMENTS
1	36020	Nut	
2	803868WP	Top Panel	White
	803869	Top Panel	Stainless steel
	803868Q	Top Panel	Bisque
3	29651	Bolt	
4	D504228	Top Mounting Bracket	
5	23008	Screw	

Loading Door Without Window

All Models Except KDEBCACW173CN01, KDEBCACW173TN01, KDEBGACW173CN01, KDEBGACW173TN01, KDGBCACW113CN01, KDGBCACW113TN01, KDGBGACW113CN01 and KDGBGACW113TN01



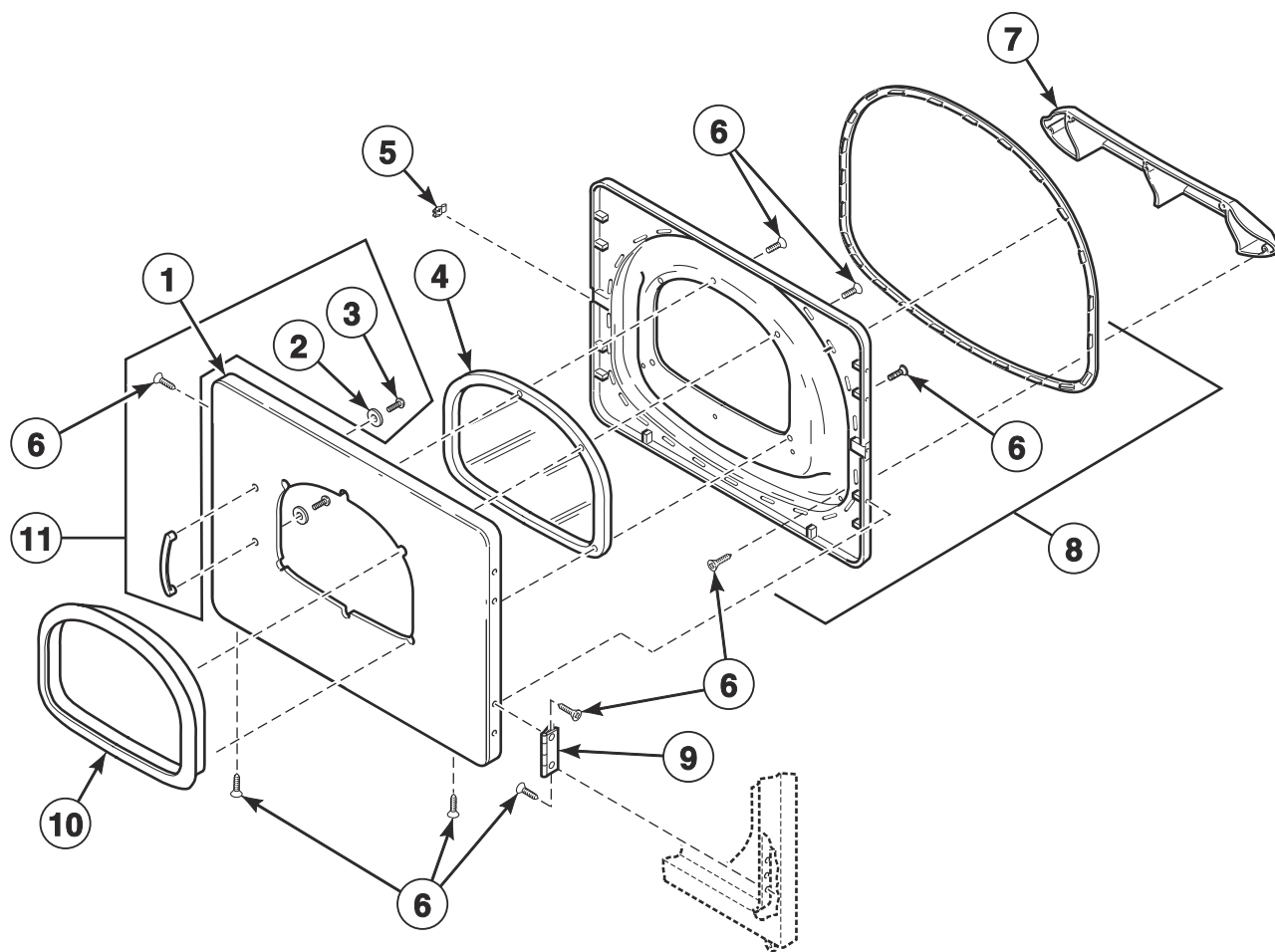
DRY2500P_D516814

Loading Door Without Window

REF	PART NO.	DESCRIPTION	COMMENTS
1	D510181	Door Strike	
2	D503870W	Door Liner Grill	White
	D503870LG	Door Liner Grill	Light gray
3	D516508	Door Liner Assembly	Includes door seal
4	D500226	Screw	
5	D511036	Hinge	
6	D510103WP	Door Pull and Wedge Kit	White; Includes item 7
	D512947	Door Pull	Gray; Includes item 7
	D510103QP	Door Pull and Wedge Kit	Bisque; Includes item 7
	D511213P	Door Pull and Wedge Kit	Black; Includes item 7
7	D510129W	Door Handle Wedge	
8	D515963	Dryer Door	Stainless steel; Models BDEBCAGS173TN01, BDEBEAGS173CN01 and BDGBCAGS113TN01
	D515960Q	Dryer Door	Bisque; Models HDESXRGS173TQ01, HDGSXRGS113TQ01, SDEBCAGS173TQ01, SDEBCRGS173TQ01, SDESXRGS173TQ01, SDGBCAGS113TQ01, SDGBCRGS113TQ01, SDGBXRGS113TQ01 and SDGSXRGS113TQ01
	D515960DG	Dryer Door	Gray; Models PDEBCRGS173TG02, PDEBERGS173CG02, PDEBXRGS173CG02, PDEBXRGS173TG02, PDESXRGS173CG02, PDESXRGS173TG02, PDGBCRGS113TG02, PDGBERGS113CG02, PDGBXRGS113CG02, PDGBXRGS113TG02, PDGSXRGS113CG02 and PDGSXRGS113TG02
	D515960W	Dryer Door	White; All other models

Loading Door With Window

Models KDEBCACW173CN01, KDEBCACW173TN01, KDEBGACW173CN01, KDEBGACW173TN01, KDGBCACW113CN01, KDGBCACW113TN01, KDGBGACW113CN01 and KDGBGACW113TN01

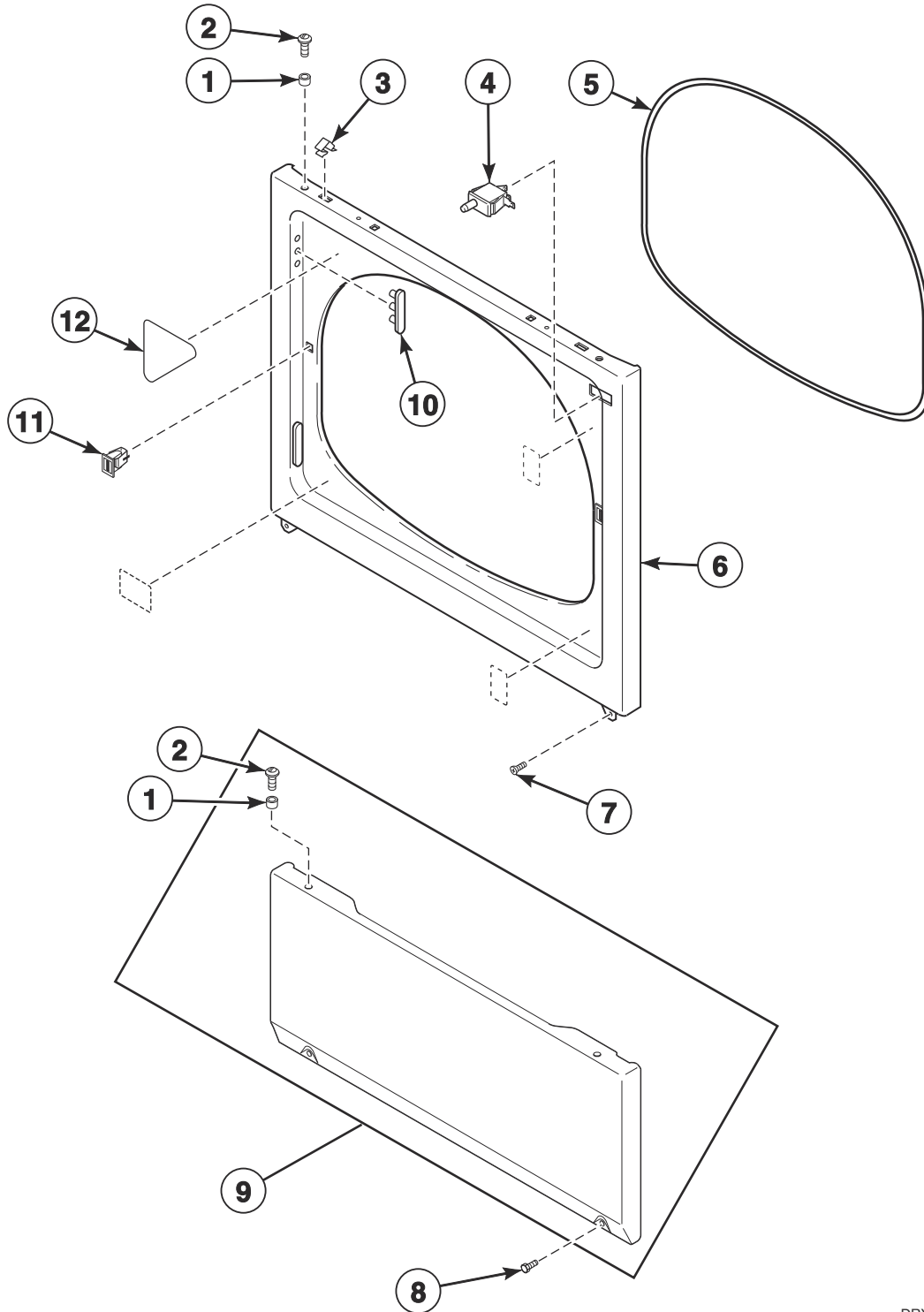


DRY2512P_D516814

Loading Door With Window

REF	PART NO.	DESCRIPTION	COMMENTS
1	D515962	Dryer Door	
2	29260	Washer	
3	D512631	Screw	
4	D515681	Dryer Door Window	
5	D510181	Door Strike	
6	D500226	Screw	
7	D503870DG	Door Liner Grill	
8	D516509	Liner and Seal Assembly	
9	D511036	Hinge	
10	D515959	Window Trim	Gray
11	D515656	Door Pull Kit	Includes items 2 and 3

Access Panel, Front Panel and Seal

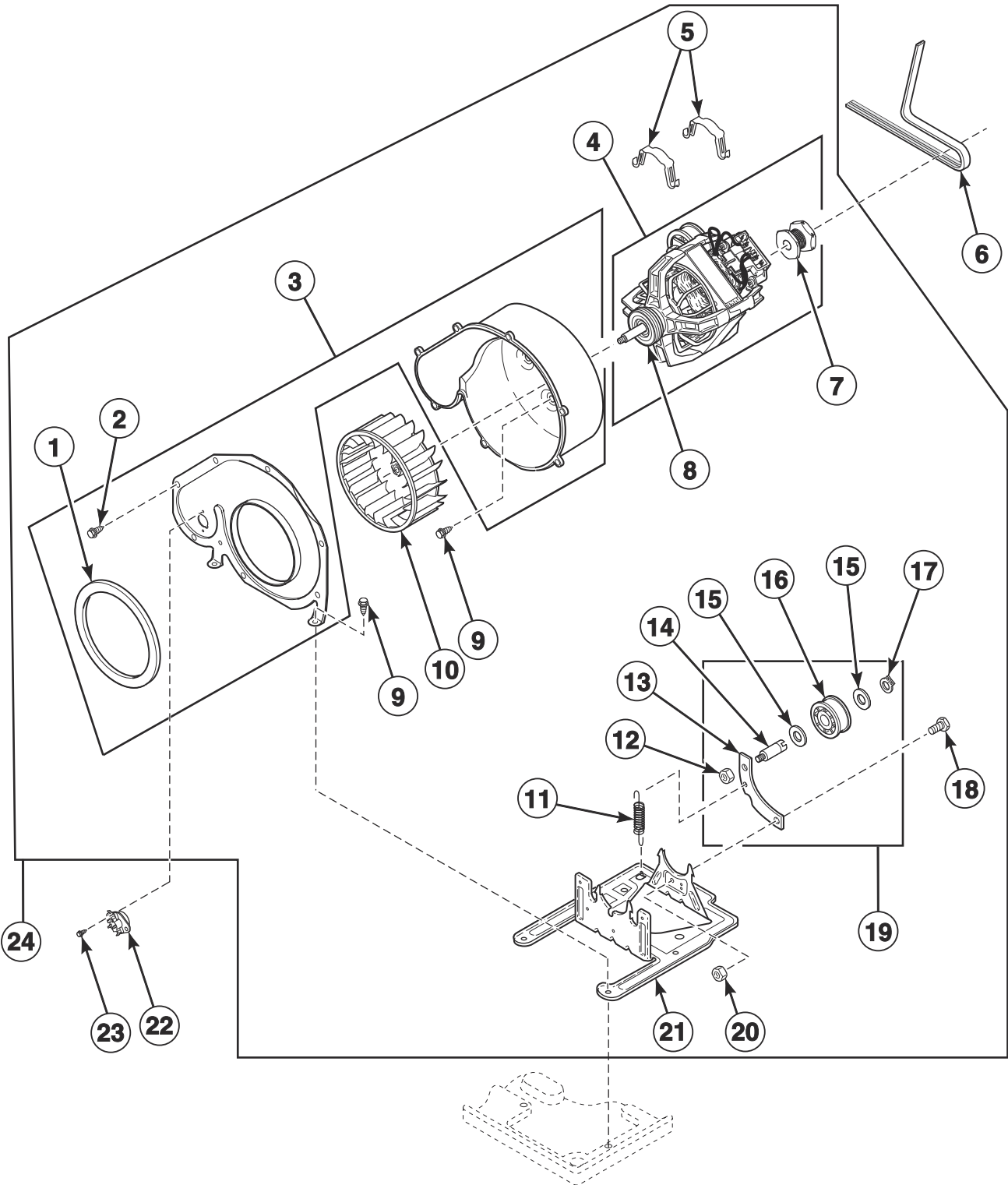


DRY1776P_D516814

Access Panel, Front Panel and Seal

REF	PART NO.	DESCRIPTION	COMMENTS
1	56079	Panel Locator	
2	39733	Screw	
3	28835	Speed Clip	
4	D512973	Switch	
5	D511056	Front Panel Seal	
6	D510066QP	Front Panel	Bisque
	D510066DG	Front Panel	Gray
	D510066WP	Front Panel	White
	D512542	Front Panel	Stainless steel
7	M405188	Screw	Use with stainless steel side panels
	D503688	Screw	Use with painted side panels
8	33562	Screw	
	62853	Screw	Optional for added security
9	D514250Q	Access Panel Assembly	Bisque
	D514250DG	Access Panel Assembly	Gray
	D514250WP	Access Panel Assembly	White
	D514251	Access Panel Assembly	Stainless steel
10	D510186	Hinge Hole Plug	
11	D510177	Door Catch Assembly	
12	D500281	Warning/Caution Label	English

Motor, Exhaust Fan and Belt

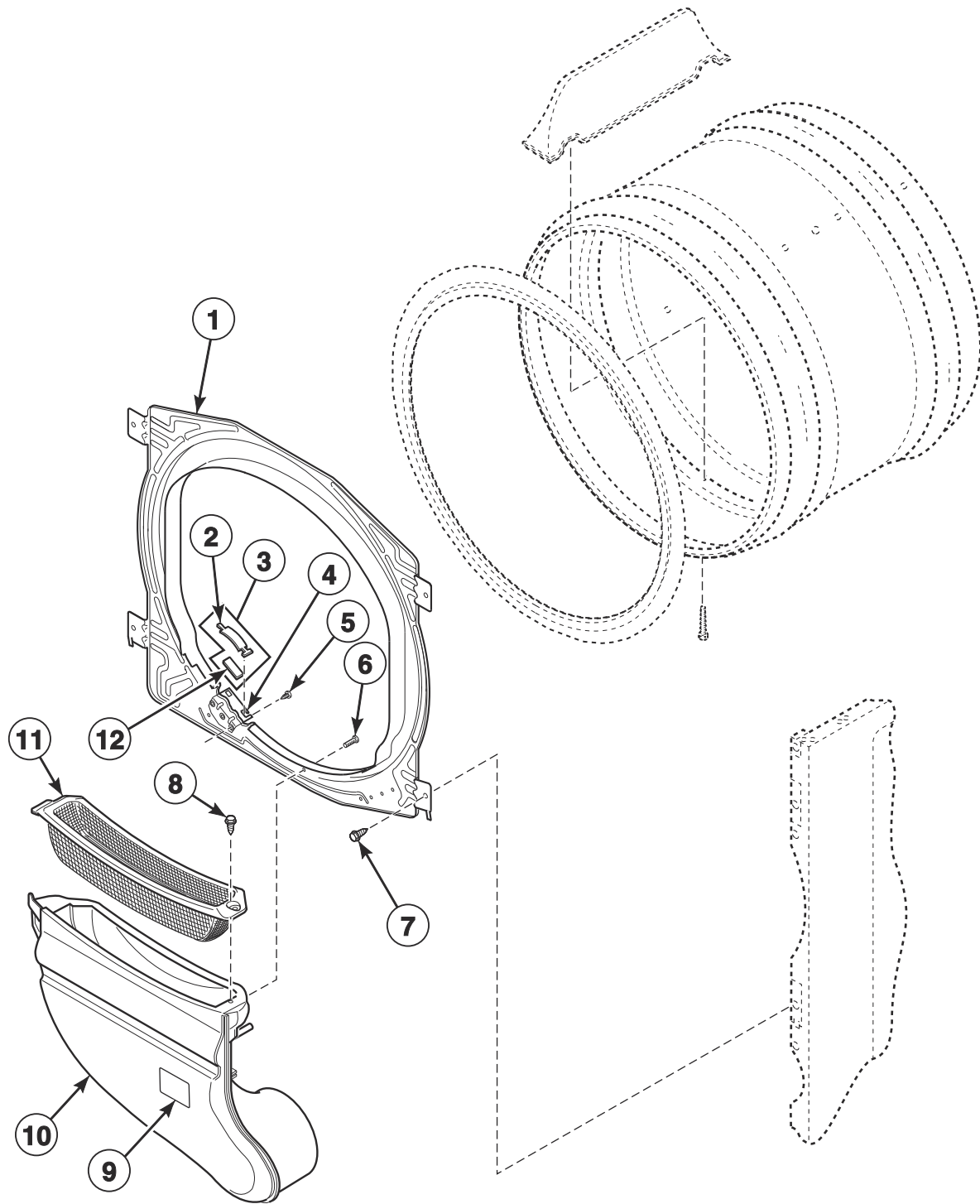


DRY2084P_D516814

Motor, Exhaust Fan and Belt

REF	PART NO.	DESCRIPTION	COMMENTS
	27604P	Anti-Seize Compound	Apply to motor shaft when installing blower fan assembly
1	D510238P	Blower Housing Seal	
2	31260	Screw	
3	D511969WP	Blower Housing	Includes items 1 and 2; White
4	D511629P	Motor and Pulley Assembly	120 Volt/60 Hertz; Apply anti-seize compound to motor shaft when installing blower fan assembly; Includes items 7 and 8
5	D510180	Motor Mount Clamp	
6	D511255P	Cylinder Belt	
7	D500011	Motor Pulley	
8	590P3	Motor Hub Ring Kit	
9	D503688	Screw	
10	D510139P	Blower Fan Assembly	Apply anti-seize compound to motor shaft when installing blower fan assembly
11	D510185	Idler Spring	
12	56156	Nut	
13	D510133	Idler Lever	
14	56461P	Shaft	
15	52549	Washer	
16	D510142P	Idler Wheel and Bearing Assembly	
17	23748	Retaining Ring	
18	D500824	Screw	
19	D510158	Idler Lever and Wheel Assembly	Includes items 12-17
20	52566	Nut	
21	D510060	Motor Mount	
22	D510523	Thermistor Assembly	Black
23	D502535	Screw	
24	D510717P	Blower and Fan Kit	Includes items 1-5 and 7-21

Front Bulkhead, Air Duct and Felt Seal

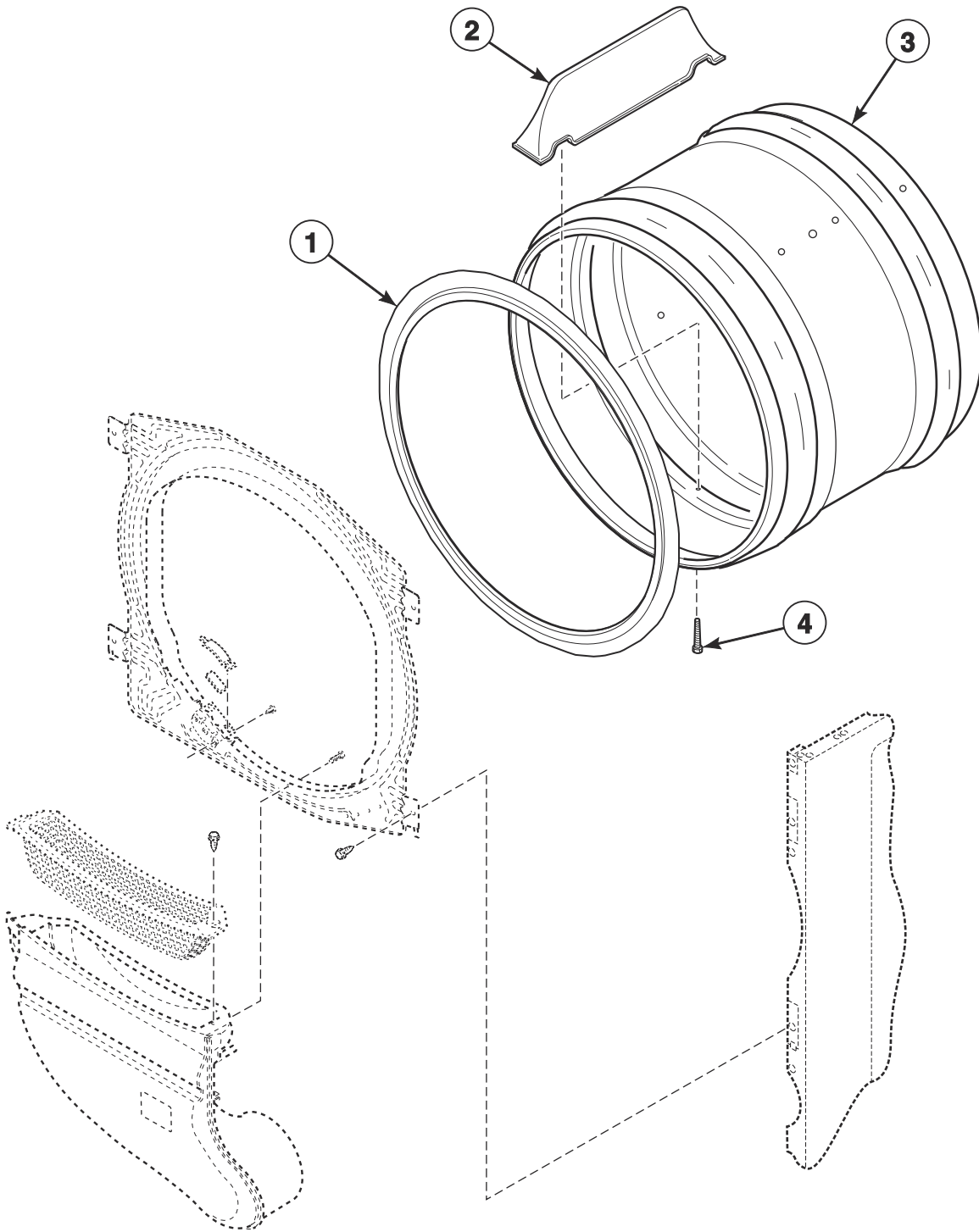


DRY1910P_D516814

Front Bulkhead, Air Duct and Felt Seal

REF	PART NO.	DESCRIPTION	COMMENTS
1	D510266P	Front Bulkhead Assembly	Unpainted; Includes D510207P Cylinder Seal Assembly and items 2-5 and 12
2	D513710	Cylinder Glide	
3	RB170003	Glide Kit	Includes items 2 and 12; Quantity: 2 of each item
4	D510145	Cylinder Glide Bracket	
5	52864	Screw	
6	D500226	Screw	
7	D503688	Screw	
8	D501285	Screw	
9	F8211201	Electrical Shock Label	Icon
	F8615701	Pinch Warning Label	Icon
	D500314	Warning Label	English
10	D515805LG	Air Duct Assembly	
11	D503980DG	Lint Filter	Gray; Models KDEBCACW173CN01, KDEBCACW173TN01, KDEBGACW173CN01, KDEBGACW173TN01, KDGBCACW113CN01, KDGBCACW113TN01, KDGBGACW113CN01 and KDGBGACW113TN01
	D503980W	Lint Filter	White; All other models
12	D510189	Felt Pad	

Cylinder Assembly

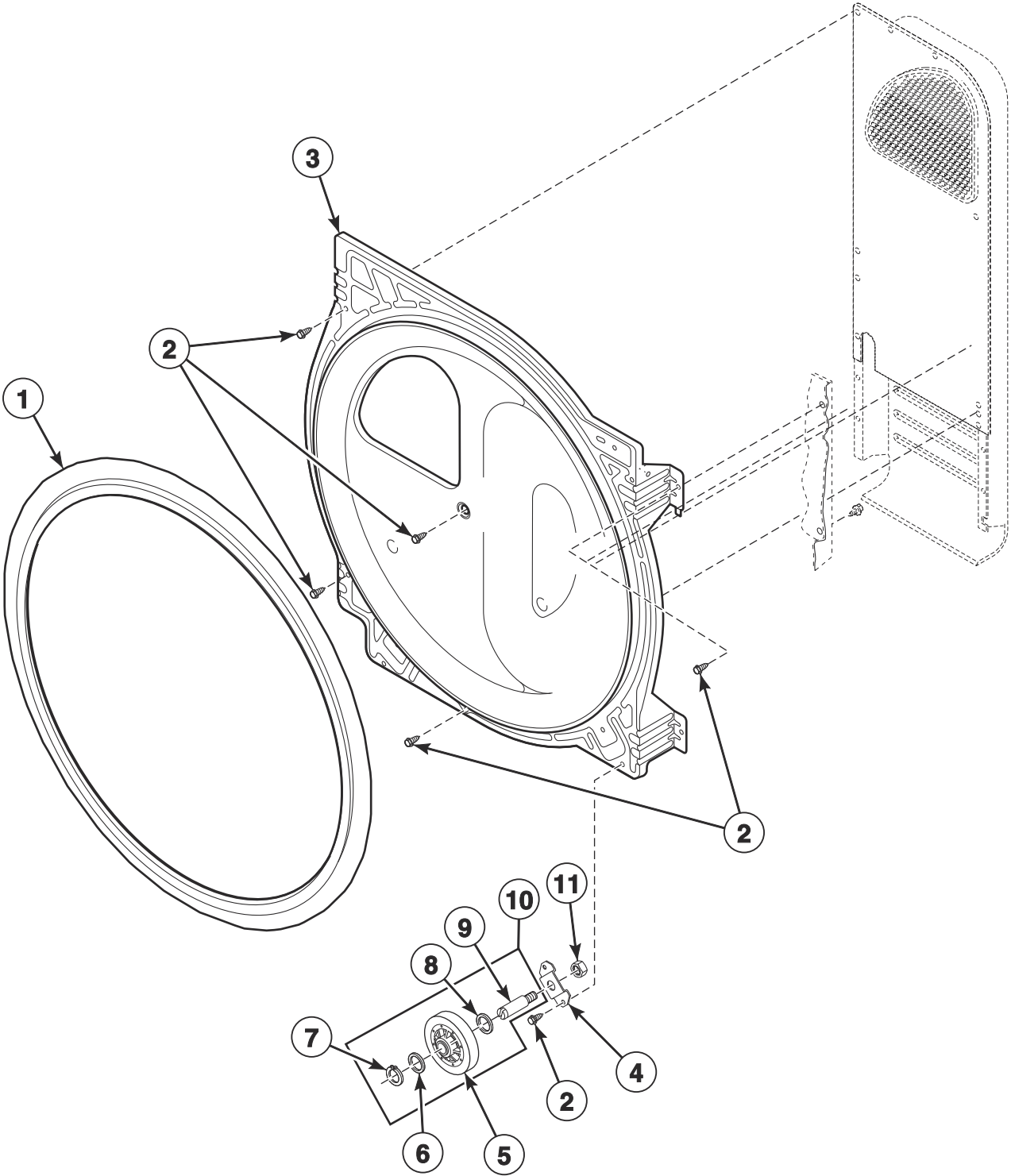


DRY1910PA_D516814

Cylinder Assembly

REF	PART NO.	DESCRIPTION	COMMENTS
1	D510207P	Cylinder Seal Assembly	Apply adhesive when installing
	D511637P	Adhesive	Apply to cylinder seal
	RB170001	Seal Kit	Includes 2 cylinder seals, blower housing seal and adhesive
2	D510102DG	Cylinder Baffle	Gray; Models KDEBCACW173CN01, KDEBCACW173TN01, KDEBGACW173CN01, KDEBGACW173TN01, KDGBCACW113CN01, KDGBCACW113TN01, KDGBGACW113CN01 and KDGBGACW113TN01
	D510102W	Cylinder Baffle	White; All other models
3	D510265DGP	Cylinder Assembly	Galvanized; Includes item 2; Models KDEBCACW173CN01, KDEBCACW173TN01, KDEBGACW173CN01, KDEBGACW173TN01, KDGBCACW113CN01, KDGBCACW113TN01, KDGBGACW113CN01 and KDGBGACW113TN01
	D510265WP	Cylinder Assembly	Galvanized; Includes item 2; All other models
4	62588	Screw	

Rear Bulkhead, Felt Seal and Cylinder Roller



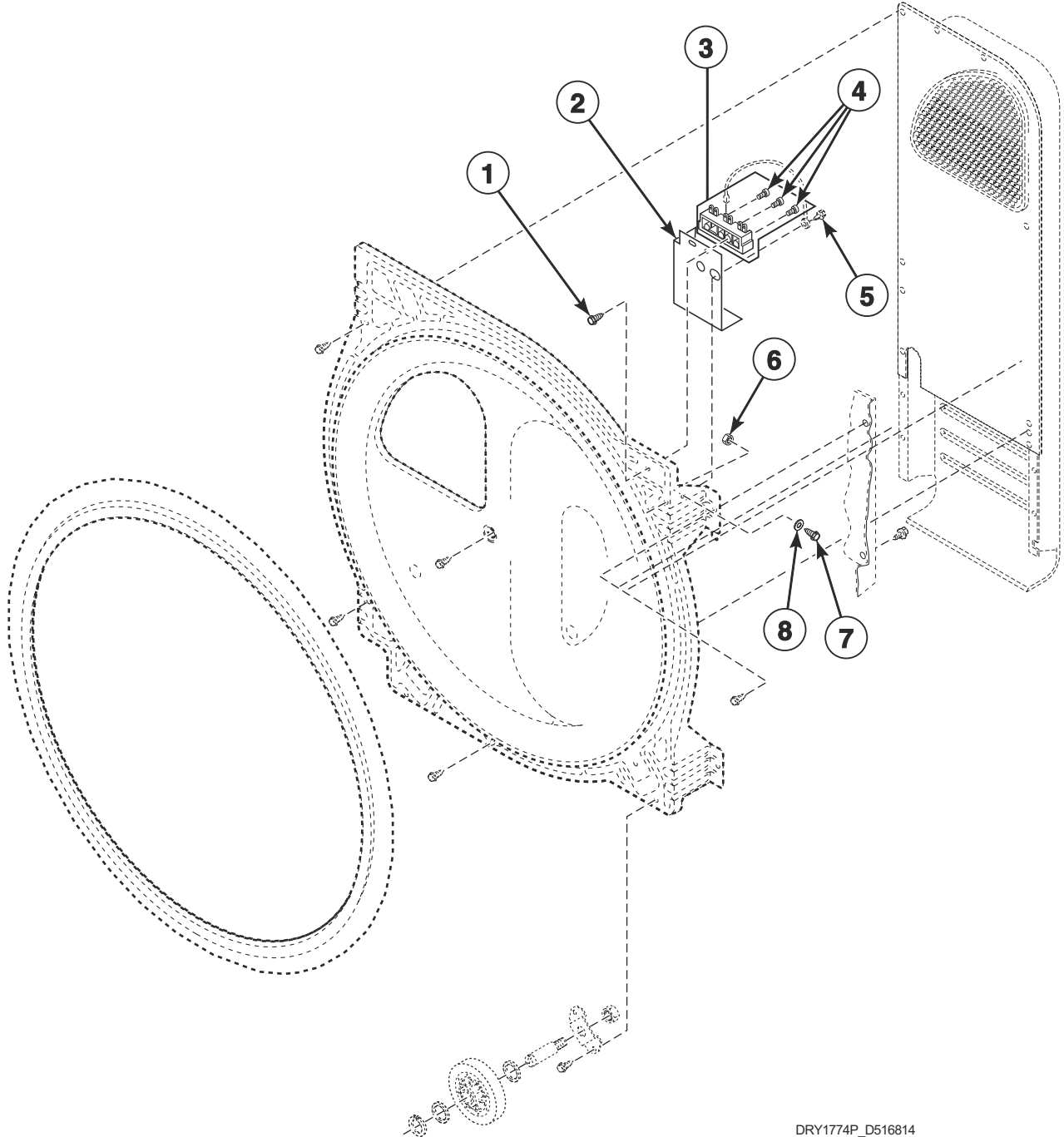
DRY2138P_D516814

Rear Bulkhead, Felt Seal and Cylinder Roller

REF	PART NO.	DESCRIPTION	COMMENTS
1	D510207P	Cylinder Seal Assembly	Apply adhesive when installing
	D511637P	Adhesive	Apply to cylinder seal
	RB170001	Seal Kit	Includes 2 cylinder seals, D510238P Blower Housing Seal and Adhesive
2	D503688	Screw	
3	D512698	Rear Bulkhead	Stainless steel; Models KDEBCACW173CN01, KDEBCACW173TN01, KDEBGACW173CN01, KDEBGACW173TN01, KDGBCACW113CN01, KDGBCACW113TN01, KDGBGACW113CN01 and KDGBGACW113TN01
	D511082P	Rear Bulkhead Assembly	Galvanized; Includes item 1; All other models
4	D510100	Cylinder Roller Bracket	
5	D510708P	Cylinder Roller	
6	52549	Washer	
7	23748	Retaining Ring	
8	D504082	Washer	
9	56461P	Shaft	
10	RB170002	Roller Kit	Includes items 5-9
11	56156	Nut	

Terminal Block

Electric Models

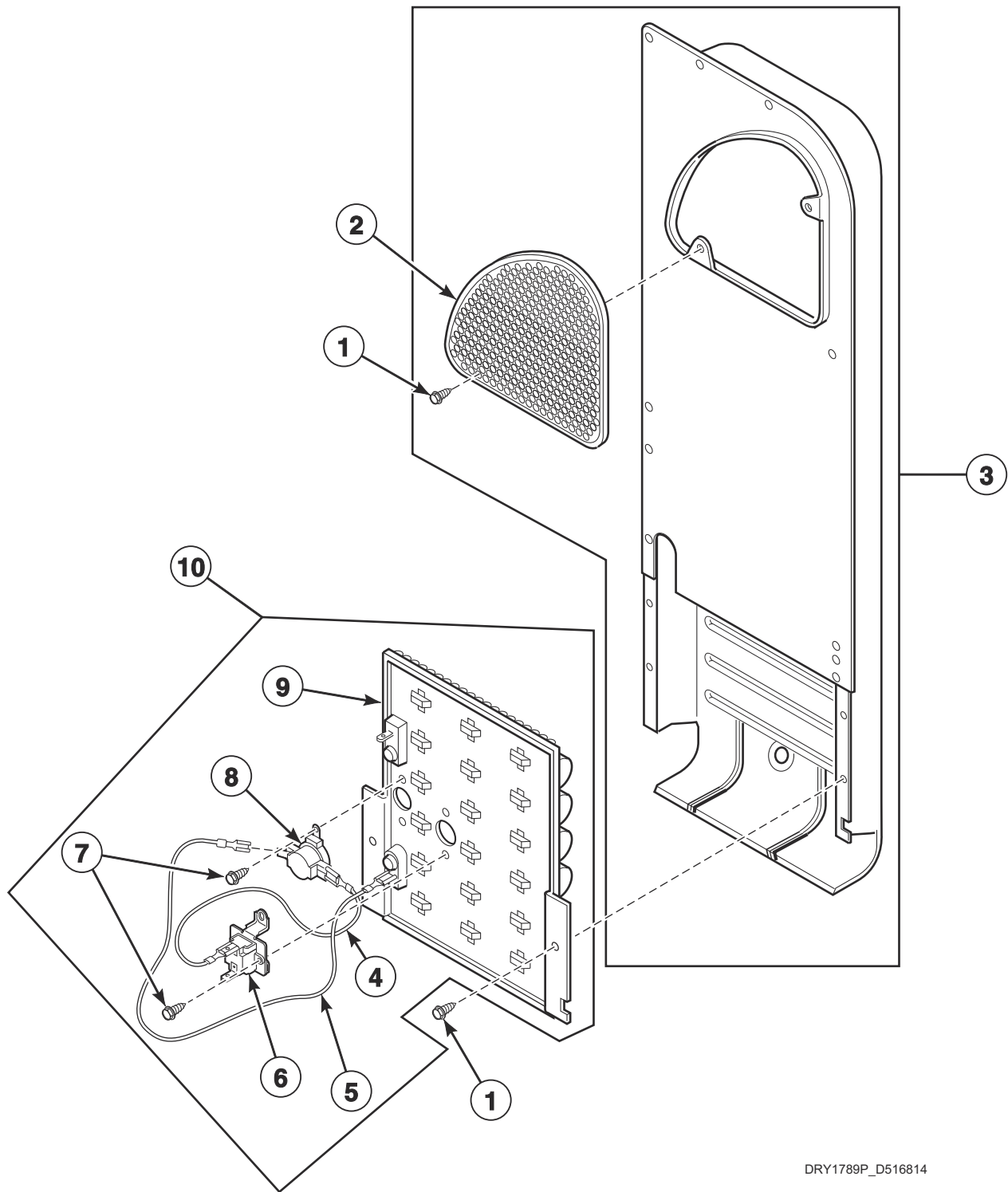


DRY1774P_D516814

Terminal Block

REF	PART NO.	DESCRIPTION	COMMENTS
1	D501285	Screw	
2	D510237	Terminal Block Shield	
3	D510190P	Terminal Block Assembly	Includes 3 of item 4
4	61199	Screw	
5	D503688	Screw	
6	28447	Nut	
7	28448	Screw	
8	28449	Washer	

Heater Duct and Element Assembly - Electric Models



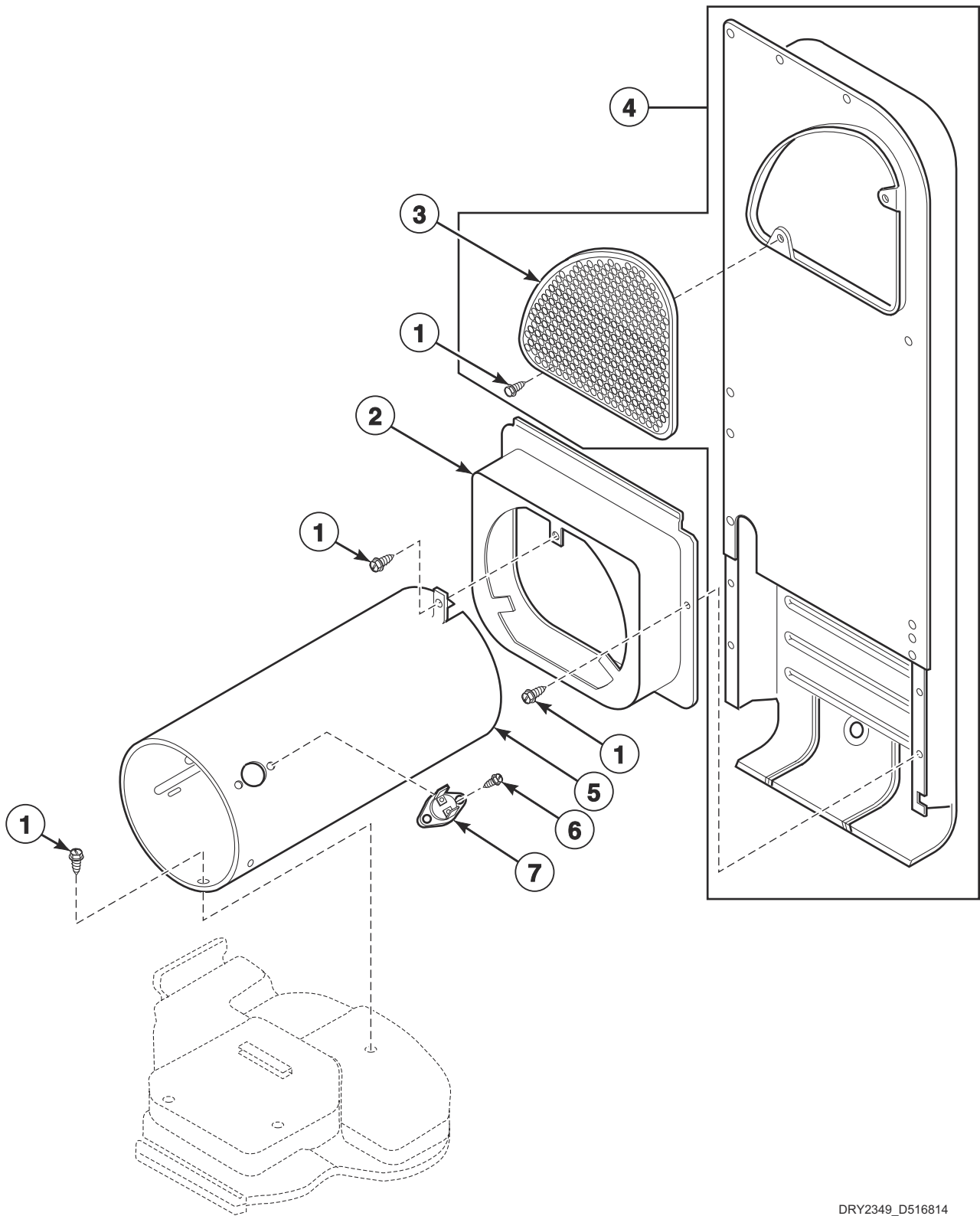
DRY1789P_D516814

Heater Duct and Element Assembly - Electric Models

REF	PART NO.	DESCRIPTION	COMMENTS
1	D503688	Screw	
2	D500820	Outlet Cover	
	D515573	Outlet Cover	Black
3	D510025P	Heater Duct Assembly	Includes items 1 and 2
4	D510528	Wire Assembly	Orange; Thermostat jumper; Attaches to heater assembly
5	D510527	Wire Assembly	Black; Fuse jumper; Attaches to heater assembly
6	D511412	Thermal Fuse Assembly	
7	23222	Screw	
8	D510701	Limit Thermostat	
9	D510325P	Heater	208 Volt/60 Hertz; 4.75 kW; Models SDEBCRGS153TW01, SDEBXRGS153TW01, SDEBYRGS153TW01, SDEMNRGS153TW01 and SDESXRGS153TW01
	D510330P	Heater Assembly	208 Volt/60 Hertz; 4.25 kW; Models HDEBERGS153CW01, HDEBXRGS153CW01, HDEBYRGS153CW01, HDESXRGS153CW01 and SDESXRGS153CW02
	D510324P	Heater Assembly	240 Volt/60 Hertz; 5 kW; Models BDEBEAGS173CN01, BDEBEAGS173CW01, HDEBERGS173CW01, HDEBXAGS173CW01, HDEBXRGS173CW01, HDEBYAGS173CW01, HDEBYRGS173CW01, HDEBYRGS173TW01, HDEMNRGS173CW01, HDESXRGS173CW01, KDEBCACW173CN01, KDEBGACW173CN01, PDEBERGS173CG02, PDEBERGS173CW02, PDEBXRGS173CG02, PDEBXRGS173CW02, PDESXRGS173CG02, PDESXRGS173CW02, SDEMNRGS173CW01, SDESXRGS173CW02 and UDEMNRGS173CW01
	D510329P	Heater Assembly	240 Volt/60 Hertz; 5.35 kW; All other models
10	61927	Heater Kit Assembly	240 Volt/60 Hertz; 5 kW; Includes items 4-9; Models BDEBEAGS173CN01, BDEBEAGS173CW01, HDEBERGS173CW01, HDEBXAGS173CW01, HDEBXRGS173CW01, HDEBYAGS173CW01, HDEBYRGS173CW01, HDEBYRGS173TW01, HDEMNRGS173CW01, HDESXRGS173CW01, KDEBCACW173CN01, KDEBGACW173CN01, PDEBERGS173CG02, PDEBERGS173CW02, PDEBXRGS173CG02, PDEBXRGS173CW02, PDESXRGS173CG02, PDESXRGS173CW02, SDEMNRGS173CW01, SDESXRGS173CW02 and UDEMNRGS173CW01
	61928	Heater Kit Assembly	208 Volt/60 Hertz; 4.75 kW; Models SDEBCRGS153TW01, SDEBXRGS153TW01, SDEBYRGS153TW01, SDEMNRGS153TW01 and SDESXRGS153TW01
	965P3	Heater Kit	208 Volt/60 Hertz; 4.25 kW; Includes items 4-9; Models HDEBERGS153CW01, HDEBXRGS153CW01, HDEBYRGS153CW01, HDESXRGS153CW01 and SDESXRGS153CW02
	964P3	Heater Kit	240 Volt/60 Hertz; 5.35 kW; Includes factory installed heater; All other models
	61928	Heater Kit Assembly	208 Volt/60 Hertz; 4.75 kW; Optional conversion; All other models

Heater Duct Assembly

Gas Models



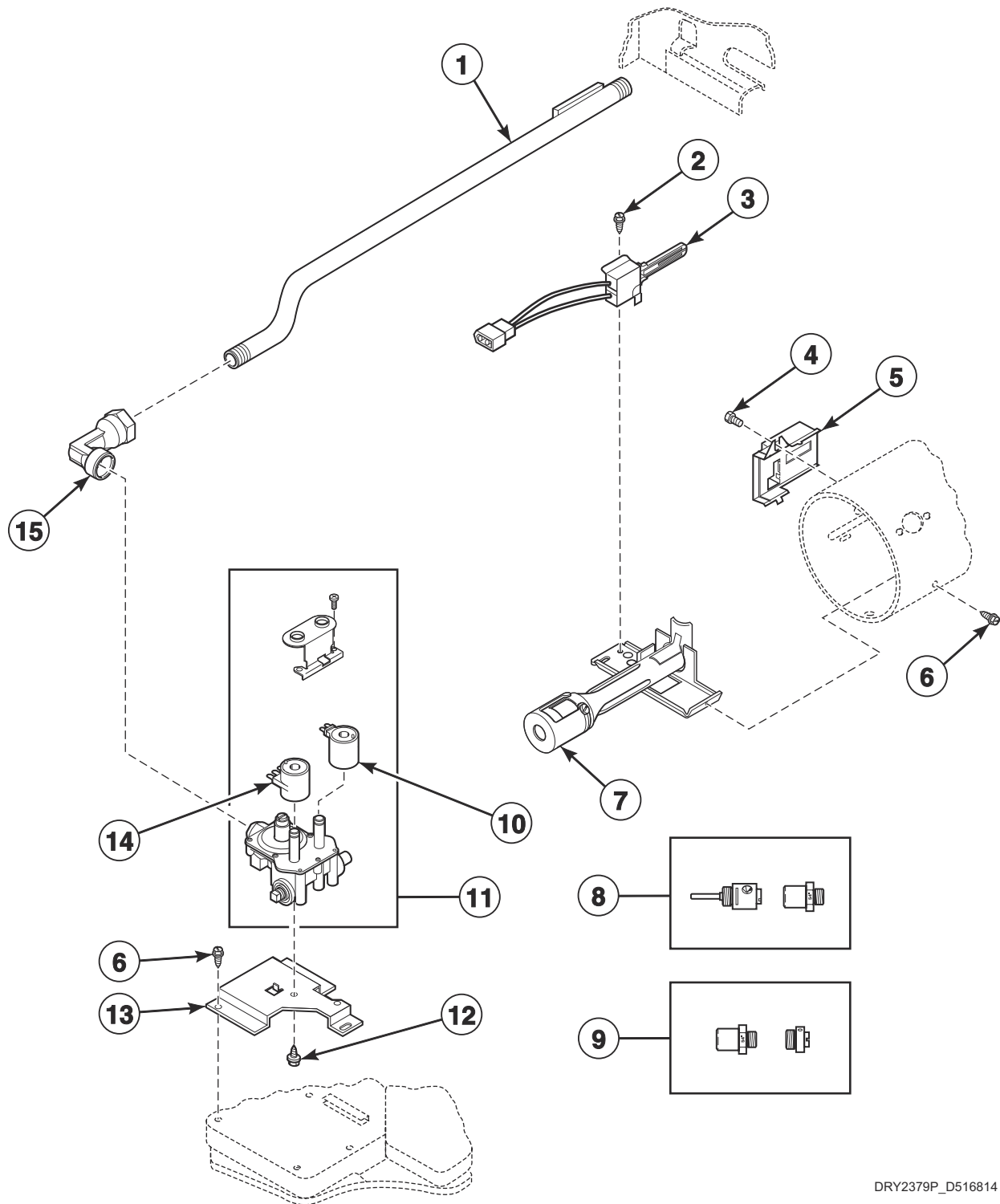
DRY2349_D516814

Heater Duct Assembly

REF	PART NO.	DESCRIPTION	COMMENTS
1	D503688	Screw	
2	D510101	Heat Duct Shroud	
3	D500820	Outlet Cover	
	D515573	Outlet Cover	Black
4	D510025P	Heater Duct Assembly	Includes items 1 and 3
5	D510131	Combustion Duct	
6	51782	Screw	
7	D510702	Limit Thermostat	Black; Auto reset

Gas Valve, Igniter and Gas Conversion Kits

Gas Models



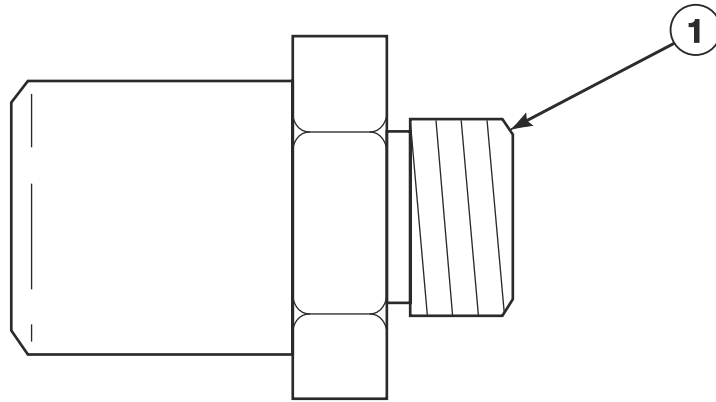
DRY2379P_D516814

Gas Valve, Igniter and Gas Conversion Kits

REF	PART NO.	DESCRIPTION	COMMENTS
1	D510204	Lead-In Pipe Assembly	
2	51782	Screw	
3	D510184P	Igniter and Bracket Assembly	
4	23222	Screw	
5	D510213	Sensor	
6	D503688	Screw	
7	D510149P	Burner Assembly	
8	458P3	L.P. Conversion Kit	Used to convert dryers from N.G. or Mixed Gas to L.P. for 25,000 Btu
9	459P3	N.G. Conversion Kit	Used to convert dryers from L.P. to N.G. or Mixed Gas for 25,000 Btu
10	58804B	Secondary Coil	60 Hertz
11	60353P	Gas Valve Assembly	60 Hertz; 25,000 Btu
12	56124	Screw	
13	D510128	Gas Valve Mounting Bracket	
14	58804A	Booster and Holding Coil	60 Hertz
15	D513072	Elbow	

Burner Orifice Spuds - For Higher Elevations

Gas Models

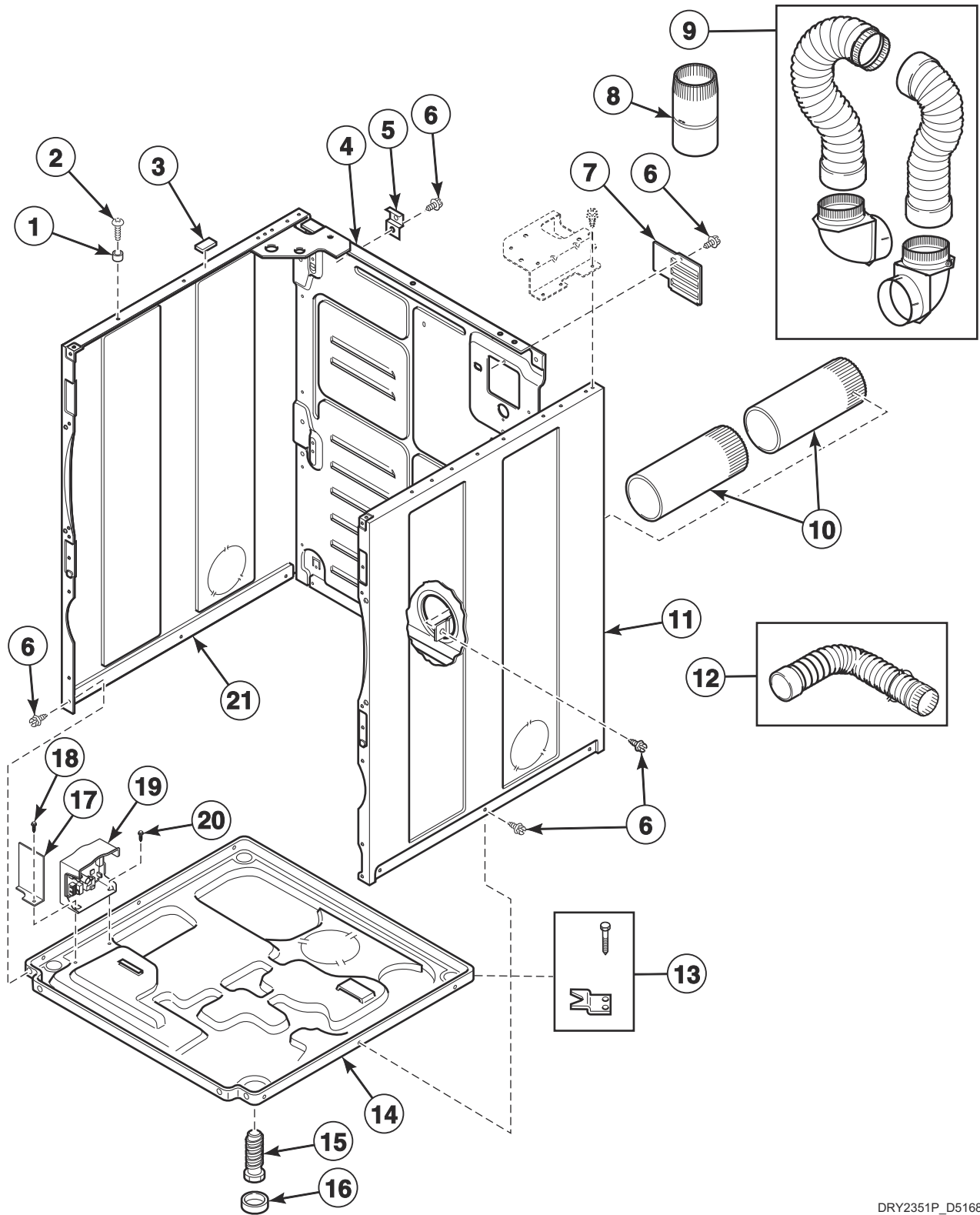


DRY2266P_D516814

Burner Orifice Spuds - For Higher Elevations

REF	PART NO.	DESCRIPTION	COMMENTS
1	58755	L.P. Orifice	25,000 Btu; 7500-10,999 feet (2290-3354 m)
	D503786	L.P. Orifice	25,000 Btu; 11,000 feet (3355 m) and higher
	D503776	N.G. Orifice	25,000 Btu; 2000-2999 feet (610-914 m)
	D510517	N.G. Orifice	25,000 Btu; 3000-5499 feet (915-1679 m)
	D503778	N.G. Orifice	25,000 Btu; 5500-6999 feet (1680-2134 m)
	58719	Screw Orifice	25,000 Btu; 7000-8999 feet (2135-2744 m)
	D503779	N.G. Orifice	25,000 Btu; 9000-10,499 feet (2745-3199 m)
	D503780	N.G. Orifice	25,000 Btu; 10,500 feet (3200 m) and higher

Cabinet, Exhaust Duct and Base

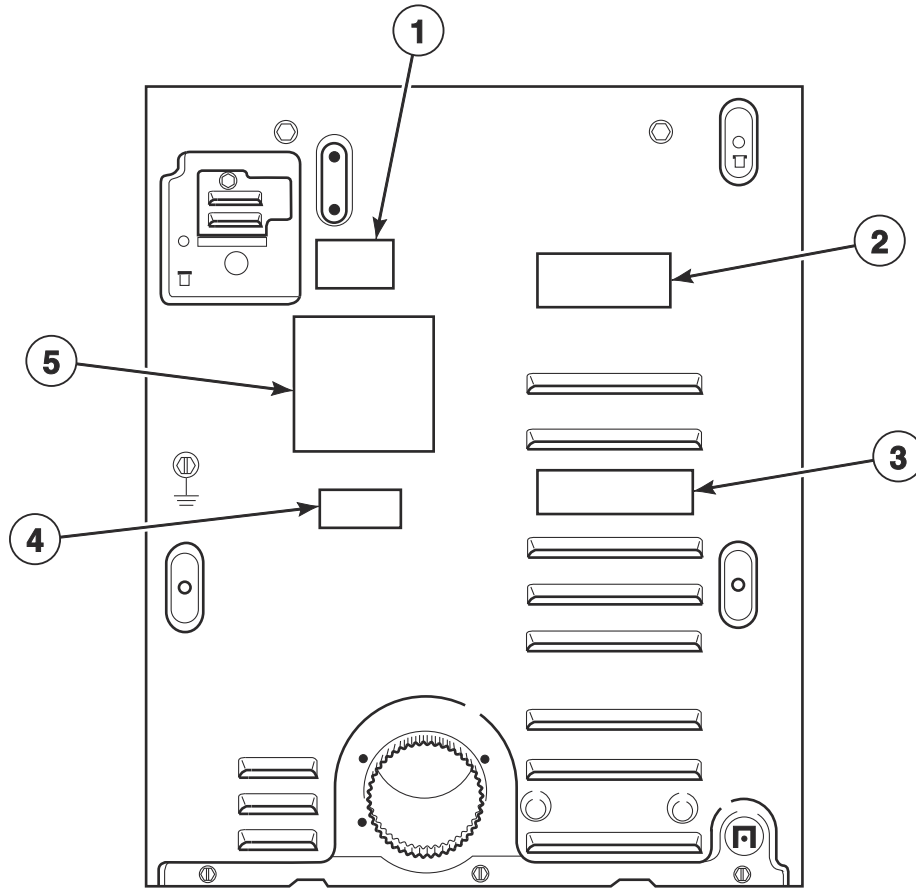


DRY2351P_D516814

Cabinet, Exhaust Duct and Base

REF	PART NO.	DESCRIPTION	COMMENTS
	122P4P	Porcelain Touch-Up Paint	White
1	56079	Panel Locator	
2	D512921	Screw	Use with stainless steel side panels
	39733	Screw	Use with painted side panels
3	56128	Bumper Pad	
4	D514632P	Cabinet Rear Panel	
5	D510136	Top Hinge	
6	D503688	Screw	
7	D510903	Access Panel Plate	
8	58786	Damper	Use when connecting to a manifold vent system
9	521P3	Flexible Venting Kit	
10	D516196	Exhaust Duct	
11	D510002QP	Cabinet Side Panel	Bisque; Right
	D510002DGP	Cabinet Side Panel	Gray; Right
	D510002WP	Cabinet Side Panel	White; Right
12	528P3	Directional Exhaust Kit	Used to vent dryer out the sides or bottom
13	526P3	Hold Down Kit	For mobile home installations
14	D514245	Dryer Base	
15	D510135	Leveling Leg	
16	D501855	Rubber Foot	
17	D514420	Output Board Shield	
18	D514428	Screw	
19	D513797P	Output Control Assembly	
20	804667	Screw	
21	D510001QP	Cabinet Side Panel	Bisque; Left
	D510001DGP	Cabinet Side Panel	Gray; Left
	D510001WP	Cabinet Side Panel	White; Left

Label Location on Rear of Cabinet



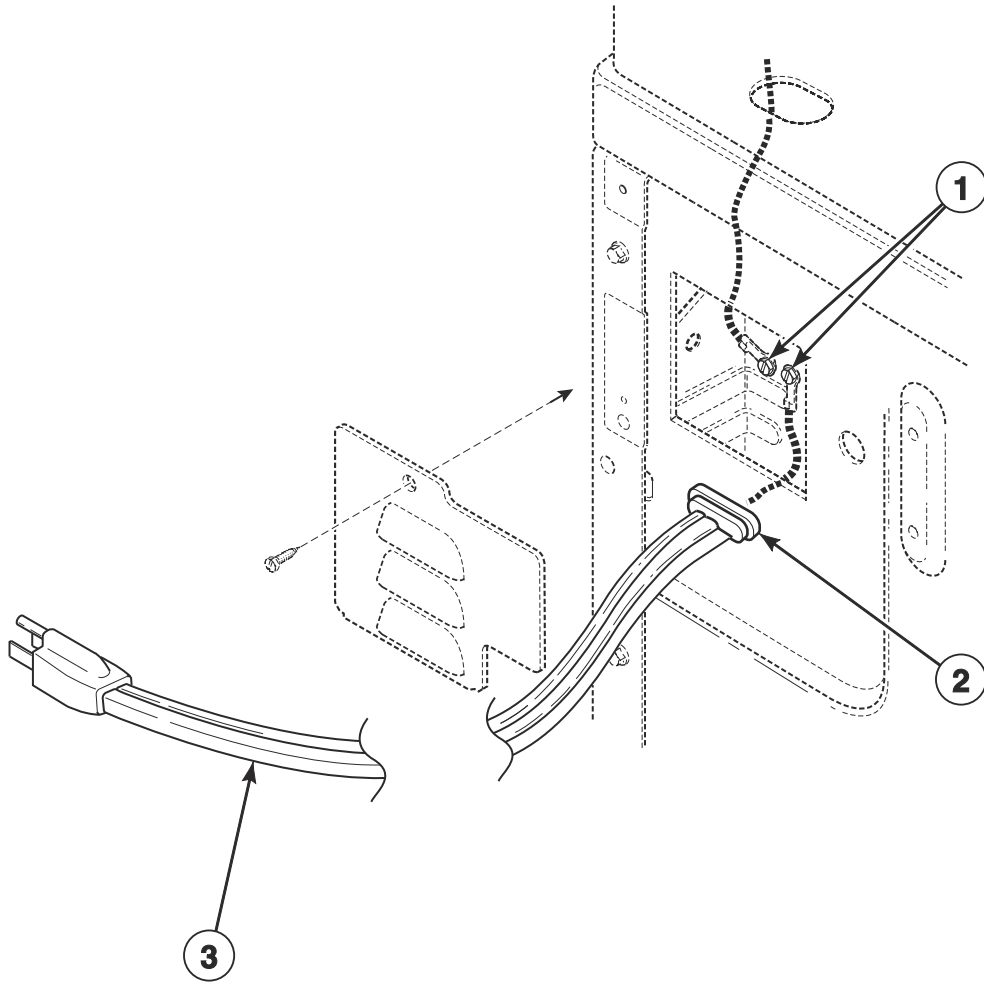
DRY2374P_D516814

Label Location on Rear of Cabinet

REF	PART NO.	DESCRIPTION	COMMENTS
1	803260	Warning Label	
2	D502791	Venting Instruction Label	
3	62104	Voltage Warning Label	208 Volt
	D505215	Gas Label	
4	D500497	Exhaust Warning Label	
5	D511005	Electric Clearance Label	Electric models
	D511004	Gas Clearance Label	Gas models

Power Cord

Gas Models

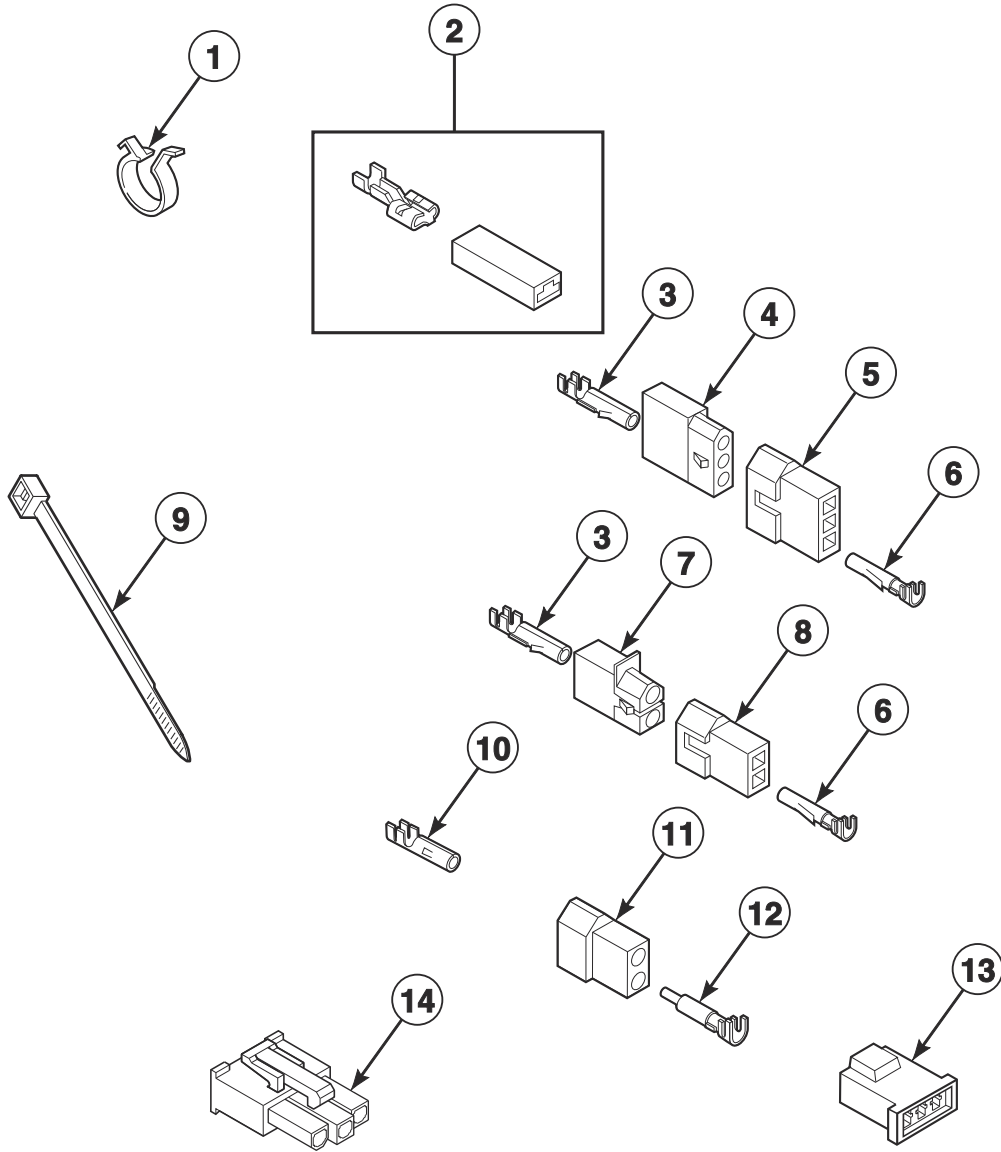


DRY1879P_D516814

Power Cord

REF	PART NO.	DESCRIPTION	COMMENTS
1	20530	Screw	
2	38384	Strain Relief	
3	202777	Lead-In Cord	

Terminal Block and Terminals

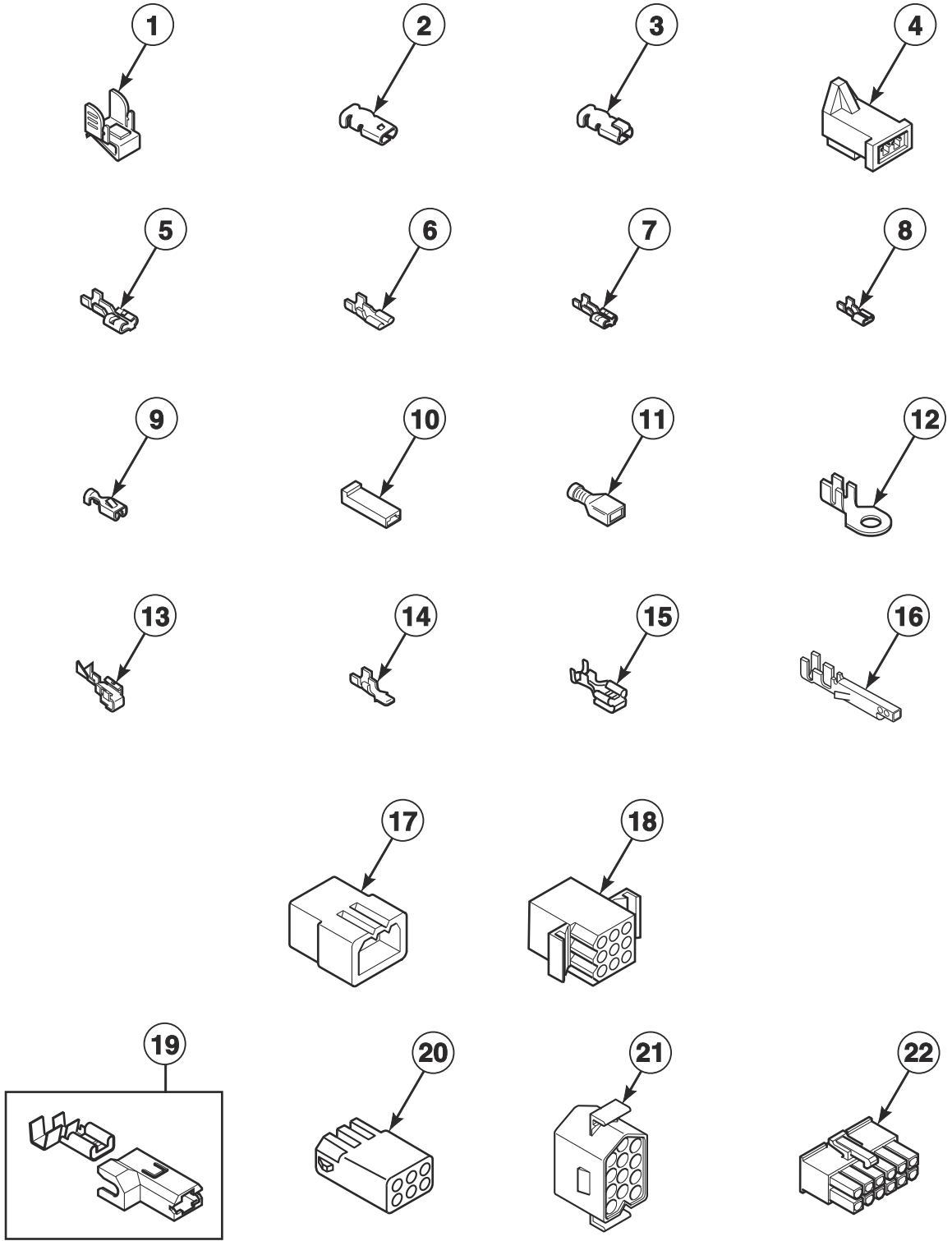


DRY2064P_D516814

Terminal Block and Terminals

REF	PART NO.	DESCRIPTION	COMMENTS
1	D504034	Wire Clip	11/16 inch
	687500	Wire Clip	1 inch
2	00360	Insulated Female Spade Terminal	(1) 12 gauge wire or (2) 18 gauge wires
3	00117	Female Pin Terminal	
4	23039	3 Circuit Receptacle	
	56265	2 Circuit Receptacle	
5	23040	Plug	3 circuit
6	00116	Male Pin Terminal	
7	56451	2 Circuit Receptacle	
8	56448	2 Circuit Plug	
9	55881	Harness Strap	
10	00130	Female Pin Terminal	1/8 inch; 16-18 gauge wire
	00128	Female Pin Terminal	1/8 inch; 10-14 gauge wire
11	56266	2 Circuit Plug	
12	00127	Male Pin Terminal	0.18 insulation diameter
	00129	Male Pin Terminal	0.12 insulation diameter
13	58800	3 Circuit Connector	
14	36170	3 Circuit Receptacle	

Terminals

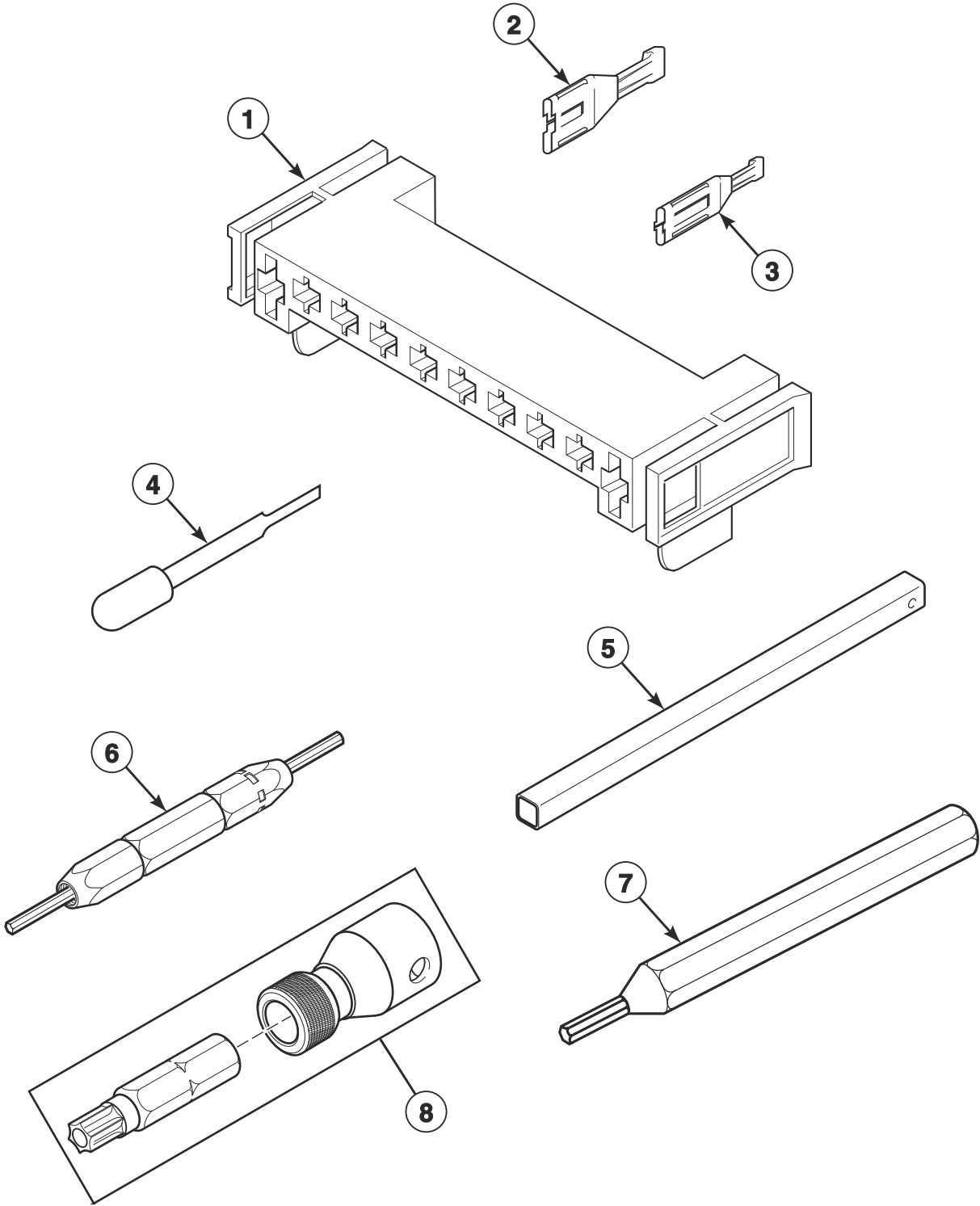


DRY2343P_D516814

Terminals

REF	PART NO.	DESCRIPTION	COMMENTS
1	00161	Grounding Clip	
2	00189	Female Spade Terminal	
3	00361	Female Piggyback Terminal	
4	58799	2 Circuit Connector	
5	00223	Female Spade Terminal	1/4 inch; (1) 18 gauge wire
	00121	Female Spade Terminal	1/4 inch; (2) 18 gauge wires or (1) 12 gauge wire
	00245	Spade Terminal	1/4 inch; (1) 22 gauge wire
6	00124	Female Spade Terminal	3/16 inch; (1) 18 gauge wire; .020 tab
	00156	Female Spade Terminal	3/16 inch; Thermostat wire; .032 tab
7	00222	Female Spade Terminal	1/4 inch
8	00347	Terminal	
9	00115	Female Spade Terminal	1/4 inch; (1) 18 gauge wire
10	90789	Receptacle Housing	
11	00359	Insulated Female Spade Terminal	1/4 inch
	00165	Insulated Female Terminal	3/16 inch
12	00110	Ring Terminal	(1) 18 gauge wire
	00111	Ring Terminal	(2) 18 gauge wires or (1) 12 gauge wire
	00319	Ring Terminal	(2) 18 gauge wires or (1) 14 gauge wire
13	00114	Female Spade Terminal	1/4 inch; Double connector
14	00139	Male Tab Terminal	1/4 inch; (2) 18 gauge wires or (1) 12 gauge wire
15	00344	Female Tab Terminal	
16	00252	Terminal	
17	26302	1 Circuit Plug	
	23033	9 Circuit Plug	
	23041	6 Circuit Plug	
18	26163	9 Circuit Receptacle	
	56855	12 Circuit Receptacle	
19	00221	Insulated Female Flag Terminal	1/4 inch
20	26708	6 Circuit Receptacle	
	26301	1 Circuit Receptacle	
21	54522	Plug	
22	D501333	12 Circuit Receptacle	
	34596	10 Circuit Receptacle	

Motor Connection Block and Tools



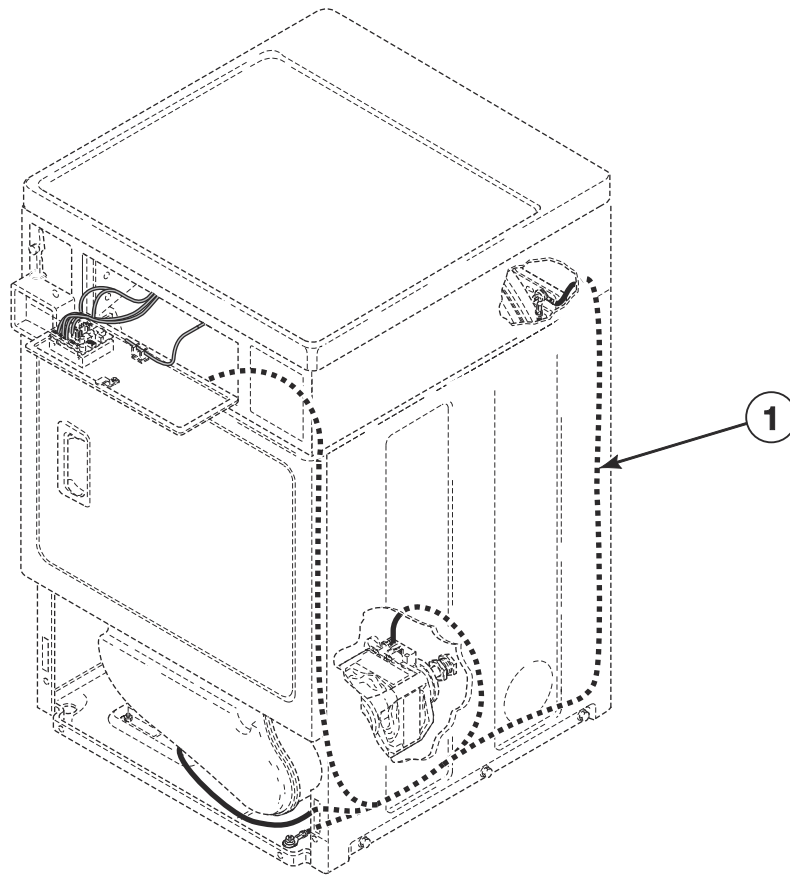
DRY2066P_D516814

Motor Connection Block and Tools

REF	PART NO.	DESCRIPTION	COMMENTS
1	D500338	10 Position Housing	
2	00255	Female Terminal	1/4 inch; For (1) 12 gauge wire
	00256	Female Terminal	1/4 inch; For (1) or (2) 18 gauge wires
3	00188	Female Terminal	For 1 or 2 wire application
4	283P4	Terminal Extractor Tool	For use on Molex connectors
5	310P4	Ratchet Extension Tool	1/4 inch; For coin drop installation
6	190P4	Extractor Tool	For use on electric dryer terminals; Electric models
7	128P4	Extractor Tool	For use on gas dryer terminals; Gas models
8	281P4	Torx Bit	T15 Tamper Resistant Bit
	282P4	Torx Bit	Use with 62853 Screw on access panel; T25 Tamper Resistant Bit
	292P4	Torx Bit	T20 Standard Bit
	93501	Torx Drive Tool	T10 Standard Bit

Wire Harnesses and Wires - Front Control Models

Models BDEBCAGS173TN01, BDEBCAGS173TW01, BDEBEAGS173CN01, BDEBEAGS173CW01, BDEBXAGS173TW01, BDGBCAGS113TN01, BDGBCAGS113TW01, BDGBEAGS113CW01, BDGBXAGS113TW01, HDEBCAGS173TW01, HDEBXAGS173CW01, HDEBYAGS173CW01, HDGBCAGS113TW01, HDGBXAGS113CW01, HDGBYAGS113CW01, KDEBCACW173CN01, KDEBCACW173TN01, KDEBGACW173CN01, KDEBGACW173TN01, KDGBCACW113CN01, KDGBCACW113TN01, KDGBGACW113CN01, KDGBGACW113TN01, SDEBCAGS173TQ01, SDEBCAGS173TW01, SDEBXAGS173TW01, SDEBYAGS173TW01, SDGBCAGS113TQ01, SDGBCAGS113TW01, SDGBXAGS113TW01 and SDGBYAGS113TW01



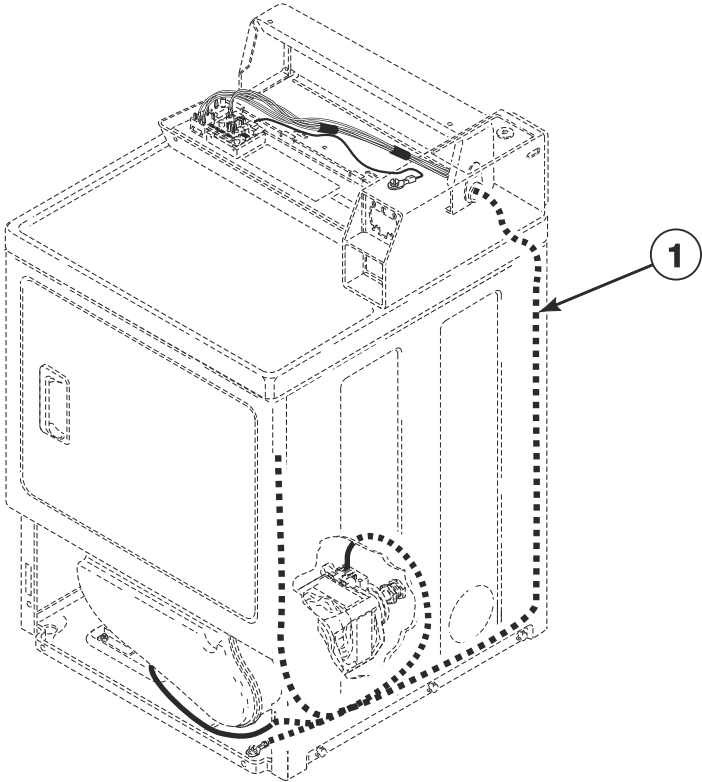
DRY2372P_D516814

Wire Harnesses and Wires - Front Control Models

REF	PART NO.	DESCRIPTION	COMMENTS
	45380	12 Gauge Wire	Orange; Order wire by foot; Order terminals and connectors as required
	45001	18 Gauge Wire	Black; Order wire by foot; Order terminals and connectors as required
	45102	18 Gauge Wire	Green/Yellow
1	D513970	Electric Harness	Electric models
	D517095	Gas Harness	Gas models

NOTE: Individual wires are not available separately. Order complete harness, or order wire by the foot. When applying terminals to wires, it is recommended that the terminals be soldered to the wires.

Wire Harnesses and Wires - Rear Control Models



DRY2373P_D516814

Wire Harnesses and Wires - Rear Control Models

REF	PART NO.	DESCRIPTION	COMMENTS
	45380	12 Gauge Wire	Orange; Order wire by foot; Order terminals and connectors as required
	45001	18 Gauge Wire	Black; Order wire by foot; Order terminals and connectors as required
1	D513984	Electric Harness	Electric models
	D517102	Gas Harness	Gas models

NOTE: Individual wires are not available separately. Order complete harness, or order wire by the foot. When applying terminals to wires, it is recommended that the terminals be soldered to the wires.

Parts Index

A

Access Panel Assembly	
D514250DG	35
D514250Q	35
D514250WP	35
D514251	35
Access Panel Plate	
D510903	55
Adhesive	
D511637P	41, 43
Air Duct Assembly	
D515805LG	39
Anti-Seize Compound	
27604P	37
Audit Switch Bracket	
800379	25

B

Blower and Fan Kit	
D510717P	37
Blower Fan Assembly	
D510139P	37
Blower Housing	
D511969WP	37
Blower Housing Seal	
D510238P	37
Bolt	
203798	11, 13
29651	13, 21, 29
Booster and Holding Coil	
58804A	51
Bracket	
D510146	15
803662	13
Bumper Pad	
56128	55
Burner Assembly	
D510149P	51

C

Cabinet Rear Panel	
D514632P	55
Cabinet Side Panel	
D510001DGP	55
D510001QP	55
D510001WP	55
D510002DGP	55
D510002QP	55
D510002WP	55
Card Insert Overlay	
D514391	23
Central Pay Harness	
D511478	5
805427	25

Chassis Mounting Bracket	
201581	13
Clip	
201572	19
Coin Drop	
38963P	17
70441601P	17
70441603	17
Coin Drop Assembly	
38462P	17
38463	17
38464P	17
70441602	17
Coin Drop Wire Harness	
201104	19
Coin Funnel Kit	
523P3	13
Coin Identification Paper	
38725	17, 19
Coin Slide Extension Kit	
200913	13
Coin Slide Kit	
CK001	13
CK009	13
CK010P	13
CK011	13
CK014	13
CK017	13
Combustion Duct	
D510131	49
Connector, 2 Circuit	
58799	63
Connector, 3 Circuit	
58800	61
Control Assembly	
D514218	7, 13
D515807P	5
D515808	25
Control Bracket and Panel Assembly	
D501738W	9
Control Hood	
D502567DG	5
D502567Q	5, 9
D502567W	5, 9
D511253W	7
Control Overlay	
D515527	5
D515552	7
D515553	5
D515558	5
D515562	7
D515970	5
Control Panel	
D510067DG	5
D510067Q	5
D510067W	5
803962BP	21
803962Q	21
803962WP	21
Control Panel and Bracket Assembly	
D501738Q	9
D513777B	27
D513777Q	27

N/A items do not appear in index.

D513777W	27
Control Panel Assembly	
D515215	23
D515578W	7
Control Panel Overlay	
D515525	9
D515526	7
D515551	9
D515556	9
D515557	7
D515567	9
D515568	7
D516474	9
Control Overlay	
D515529	27
D515555	27
D515560	27
D515571	27
Cycle Selector Switch	
201686	7
Cylinder Assembly	
D510265DGP	41
D510265WP	41
Cylinder Baffle	
D510102DG	41
D510102W	41
Cylinder Belt	
D511255P	37
Cylinder Glide	
D513710	39
Cylinder Glide Bracket	
D510145	39
Cylinder Roller	
D510708P	43
Cylinder Roller Bracket	
D510100	43
Cylinder Seal Assembly	
D510207P	41, 43

D

Damper	
58786	55
Directional Exhaust Kit	
528P3	55
Door Catch Assembly	
D510177	35
Door Handle Wedge	
D510129W	31
Door Liner Assembly	
D516508	31
Door Liner Grill	
D503870DG	33
D503870LG	31
D503870W	31
Door Pull	
D512947	31
Door Pull and Wedge Kit	
D510103QP	31
D510103WP	31
D511213P	31
Door Pull Kit	
D515656	33

Door Strike	
D510181	31, 33
Dryer Base	
D514245	55
Dryer Door	
D515960DG	31
D515960W	31
D515962	33
D515963	31
Dryer Door Window	
D515681	33
Dual Coin Harness Assembly	
202871	5, 17, 25
806827	19
Dual Overlay	
39073	11

E

Elbow	
D513072	51
Electric Clearance Label	
D511005	57
Electric Harness	
D513970	67
Electrical Shock Label	
F8211201	39
Electronic Coin Drop Assembly	
70294106	19
70294122	19
Electronic Coin Drop Kit	
CK110	19
CK115	19
Electronic Harness	
D513984	69
End Cap	
210109W	7
510108W	7
Exhaust Duct	
D516196	55
Exhaust Warning Label	
D500497	57
Expansion Clip	
70030501	21, 23
Extractor Tool	
128P4	65
190P4	65

F

Felt Pad	
D510189	39
Female Piggyback Terminal	
00361	63
Female Pin Terminal	
00117	61
00128	61
00130	61
Female Spade Terminal	
00114	63
00115	63
00121	63

N/A items do not appear in index.

00124	63
00156	63
00189	63
00222	63
00223	63
Female Tab Terminal	
00344	63
Female Terminal	
00188	65
00255	65
00256	65
Flexible Venting Kit	
521P3	55
Front Bulkhead Assembly	
D510266P	39
Front Panel	
D510066DG	35
D510066QP	35
D510066WP	35
D512542	35
Front Panel Seal	
D511056	35

G

Gas Clearance Label	
D511004	57
Gas Harness	
D517095	67
D517102	69
Gas Label	
D505215	57
Gas Valve Assembly	
60353P	51
Gas Valve Mounting Bracket	
D510128	51
Glide Kit	
RB170003	39
Grounding Clip	
00161	63

H

Harness	
804832	5
Harness Assembly	
802905	19
Harness Strap	
55881	61
Heat Duct Shroud	
D510101	49
Heater	
D510325P	47
Heater Assembly	
D510324P	47
D510329P	47
D510330P	47
Heater Duct Assembly	
D510025P	47, 49
Heater Kit	
964P3	47
965P3	47

Heater Kit Assembly	
61927	47
61928	47
Hinge	
D511036	31, 33
Hinge Hole Plug	
D510186	35
Hold Down Kit	
526P3	55
Hood Back Panel	
804886	5, 9
Housing, 10 Position	
D500338	65

I

Idler Lever	
D510133	37
Idler Lever and Wheel Assembly	
D510158	37
Idler Spring	
D510185	37
Idler Wheel and Bearing Assembly	
D510142P	37
Igniter and Bracket Assembly	
D510184P	51
Instruction Label	
D500628	13
Instruction Overlay	
D515211	23
Insulated Female Flag Terminal	
00221	63
Insulated Female Spade Terminal	
00359	63
00360	61
Insulated Female Terminal	
00165	63

K

Key	
54612	27

L

Lead-In Cord	
202777	59
Lead-In Pipe Assembly	
D510204	51
Leveling Leg	
D510135	55
Light	
801431	7, 9
Limit Thermostat	
D510701	47
D510702	49
Liner and Seal Assembly	
D516509	33
Lint Filter	
D503980LG	39

N/A items do not appear in index.

D503980W	39
Lock Cam	
804338	27
Lock Kit	
27260P	27
L.P. Conversion Kit	
458P3	51
L.P. Orifice	
D503786	53
58755	53

M

Machine ID Control Assembly	
203361P	5, 25
Male Pin Terminal	
00116	61
00127	61
00129	61
Male Tab Terminal	
00139	63
Mechanical Counter Kit Assembly	
201280P	13
Meter Case Assembly	
202877W	11
38724Q	11
802505W	11
803063DG	11
804009W	21
807396B	21
807396W	21
Meter Case Assembly Kit	
803575DG	13
803575WP	13
807401W	11
Meter Case Bracket Gasket	
35526	11, 13
Meter Case Gasket	
26354	11, 13
Meter Case Kit	
201010QP	13
201010WP	13
Meter Case Lockdown Bracket	
35525	11, 13
Meter Case Locking Bracket Kit	
204616	11, 13
Motor and Pulley Assembly	
D511629P	37
Motor Hub Ring Kit	
590P3	37
Motor Mount	
D510060	37
Motor Mount Clamp	
D510180	37
Motor Pulley	
D500011	37

N

Nut	
201216	19
24205	7, 9

N/A items do not appear in index.

27222	15
28447	45
29786	9, 11, 13, 17, 19
29796	13
36020	29
44087201	21
52566	5, 37
52947	7, 9
56156	37, 43
802337	13

N.G. Conversion Kit	
459P3	51
N.G. Orifice	
D503776	53
D503778	53
D503779	53
D503780	53
D510517	53

O

Operating Instructions Label	
D514393	21, 23
Opto Coupler	
200674P	17
Outlet Cover	
D500820	47, 49
D515573	47, 49
Output Board Shield	
D514420	55
Output Control Assembly	
D513797P	55
Overlay	
D514873	23
201091	11, 19

P

Panel Locator	
56079	35, 55
Pinch Warning Label	
F8615701	39
Plug	
23040	61
54522	63
Plug, 1 Circuit	
26302	63
Plug, 2 Circuit	
56266	61
56448	61
Plug, 6 Circuit	
23041	63
Plug, 9 Circuit	
23033	63
Porcelain Touch-Up Paint	
122P4P	55

R

Ratchet Extension Tool	
310P4	65

Read Instructions Label	
D513371	11
Rear Access Panel	
803998	21, 23
Rear Bulkhead	
D512698	43
Rear Bulkhead Assembly	
D511082P	43
Rear Panel	
D511254	7
Receptacle Housing	
90789	63
Receptacle, 1 Circuit	
26301	63
Receptacle, 10 Circuit	
34596	63
Receptacle, 12 Circuit	
D501333	63
56855	63
Receptacle, 2 Circuit	
56265	61
56451	61
Receptacle, 3 Circuit	
23039	61
36170	61
Receptacle, 6 Circuit	
26708	63
Receptacle, 9 Circuit	
26163	63
Retaining Ring	
23748	37, 43
Ring Terminal	
00110	63
00111	63
00319	63
Rocker Switch	
70455101	7
Roller Kit	
RB170002	43
Rubber Foot	
D501855	55

S

Screw	
D500226	31, 33, 39
D500824	37
D501086	5, 7, 9
D501285	39, 45
D501524	13, 27
D502535	37
D503661	25
D503673	11, 13
D503688	5, 13, 15, 21, 23, 35, 37, 39, 43, 45, 47, 49, 51, 55
D512631	33
D512921	55
D514428	55
M405188	21, 35
02916	5, 9
20530	59
23008	29
23222	47, 51
28448	45

31260	37
33562	35
35528	5, 7, 9
36048	11, 13
39733	35, 55
51782	49, 51
52864	5, 7, 9, 39
56124	51
61199	45
62588	41
62853	35
70240301	21, 23
804608	7
804667	55
Screw Orifice	
58719	53
Seal Kit	
RB170001	41, 43
Secondary Coil	
58804B	51
Security Cabinet Assembly	
804149WP	23
Security Wrapper Assembly	
D515216	23
Sensor	
D510213	51
Service Door Assembly	
39874DG	11, 13
39874QP	11, 13
39874WP	11, 13
Shaft	
56461P	37, 43
Single Coin Harness Assembly	
202870	17, 25
806826	17
Single Overlay	
38717	11, 17
Slide	
CK027	13
Spade Terminal	
00245	63
Speed Clip	
28835	35
Spring	
804794	13
Strain Relief	
38384	59
Switch	
D512973	11, 21, 25, 35
431159	13
70529301	11
Switch Assembly	
55882	9
Switch Knob	
39897	7, 9

T

Temperature Selector Switch	
D511711	7, 9
Terminal	
00252	63
00347	63

N/A items do not appear in index.

Terminal Block Assembly D510190P	45
Terminal Block Shield D510237	45
Terminal Extractor Tool 283P4	65
Thermal Fuse Assembly D511412	47
Thermistor Assembly D510523	37
Timer Knob 54678	7
Top Hinge D510136	55
Top Kit D511527QP	15
D511527WP	15
Top Mounting Bracket D504228	29
Top Panel D505885DG	15
803868Q	29
803868WP	29
803869	29
Top Panel Kit D511530WP	15
Torx Bit 281P4	65
282P4	65
292P4	65
Torx Drive Tool 93501	65
Transformer 201375P	19
202757	5, 25
Transformer Harness D514072	25
D514073	5
804795	25

Window Trim D515959	33
Wire Assembly D510527	47
D510528	47
Wire Clip D504034	61
687500	61
Wire Guard 201595P	17
Wire, 12 Gauge 45380	67, 69
Wire, 18 Gauge 45001	67, 69
45102	67
Wiring Harness Assembly 202868	25
Wrapper Assembly 804104B	21
804104Q	21
804104W	21
804112W	23

V

Venting Instruction Label D502791	57
Voltage Warning Label 62104	57

W

Warning Label D500314	39
D500316	15
803260	57
Warning/Caution Label D500281	35
Washer D504082	43
M400017	5, 9
200608	5
28449	45
29260	33
52549	37, 43
91176	7, 9

N/A items do not appear in index.