



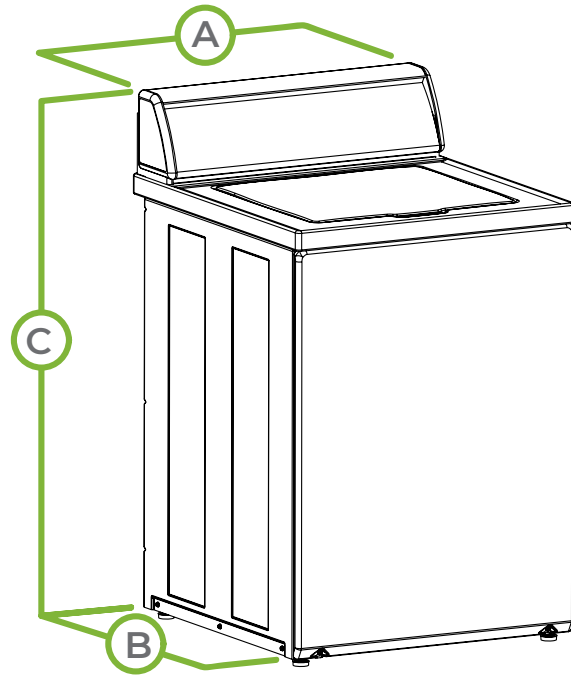
SPECIFICATIONS

# COMMERCIAL TOP LOAD WASHER – CANADA

MODEL - see below for all models and activation available	
CONTROL OPTION	Manual Homestyle
COLOR	White
CAPACITY - lb (kg)	16 (7.3)
CYLINDER VOLUME - cu. ft. (liters)	3.19 (90.3)
SPIN SPEED G-FORCE (RPM)	150 (710)
MOTOR SIZE - HP (kw)	0.5 (0.37)
WATER CONSUMPTION PER CYCLE - g (liter)	27.9 (106)
IWF (WATER FACTOR) - liters/liter/cycle (gal/ft <sup>3</sup> )	8.8 (1.18)
MEF <sub>2</sub> (Modified Energy Factor) ft <sup>3</sup> /kWh/cycle (Liters/kWh/cycle)	1.35 (38.2)
AVAILABLE WATER TEMPERATURES	Hot, Warm, Cold
AVAILABLE CYCLES	Soak/Prewash, Heavy Duty/Permanent Press, Normal Eco, Delicate
ELECTRICAL REQUIREMENTS (v/Hz/Ph-Amp)	120/60/1 - 15 Amp
WATER PRESSURE - p.s.i. (bar)	20-120 (1.4/8.3)
DRAIN	Pump
CYLINDER FINISH	Stainless Steel
NET WEIGHT - lb (kg)	186 (84.4)
SHIPPING WEIGHT - lb (kg)	196 (88.9)
SHIPPING DIMENSIONS APPROX. - in (mm)	Width 28 (711)
	Depth 30 (762)
	Height 45 (1143)
AGENCY APPROVALS	cULus

MODELS

YWN432SP115CW01



A. OVERALL WIDTH - in (mm)	25.625 (651)
B. OVERALL DEPTH - in (mm)	28 (711)
C. OVERALL HEIGHT - in (mm)	43 (1092)

For the most accurate information, the installation guide should be used for all design and construction purposes. Due to continuous product improvements, design and specifications subject to change without notice. The quality management systems at Alliance Laundry Systems are registered to ISO 9001.