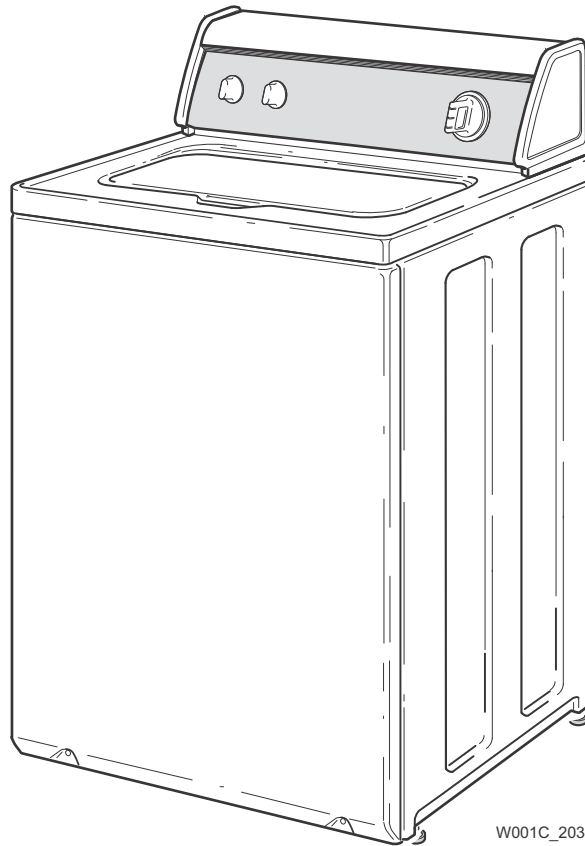


Home Automatic Washers

Refer to Page 3 for Model Numbers



W001C_203418

Table of Contents

Title	Page
Parts Ordering Information.....	2
Serial Plate Location	2
Model Identification	3
Graphic Panel, Control Support Panel and Controls	4
Graphic Panel and Control Support Panel.....	6
Controls and Overlay	8
Lid Switch Assembly	10
Top, Lid and Lid Lock.....	12
Lid and Hood Back Panel	14
Top.....	16
Junction Box	18
Mixing Valve-to-Tub Cover Hose, Mixing Valve and Bracket.....	20
Fill Hose	22
Belt, Pump and Idler Assembly (Drawing 1 of 2)	24
Belt, Pump and Idler Assembly (Drawing 2 of 2)	26
Motor and Mounting Bracket.....	28
Agitator, Fabric Softener Dispenser, Drive Bell, Hub and Lip Seal Kit and Washtub.....	30
Outer Tub, Cover, Bearing and Seal Housing, Pressure Hose and Counterweight.....	32
Drain Hose and Siphon Break Kit	34
Weldment and Bearing Assembly, Brake and Pulley.....	36
Transmission Assembly (Drawing 1 of 2).....	38
Transmission Assembly (Drawing 2 of 2).....	40
Front Panel, Base Assembly and Cabinet Kit.....	42
Mixing Valve and Motor Connection Blocks, Terminals and Extractor Tool.....	44
Power Cord	46
Terminals and Clips	48
Terminals	50
Shipping Materials and Special Tools.....	52
Special Tools	54
Output Board, Wire Harnesses and Wires.....	56
Wire Harnesses and Wires	58
Parts Index.....	61

© Copyright 2018, Alliance Laundry Systems LLC

All rights reserved. No part of the contents of this book may be reproduced or transmitted in any form or by any means without the expressed written consent of the publisher.

Parts Ordering Information

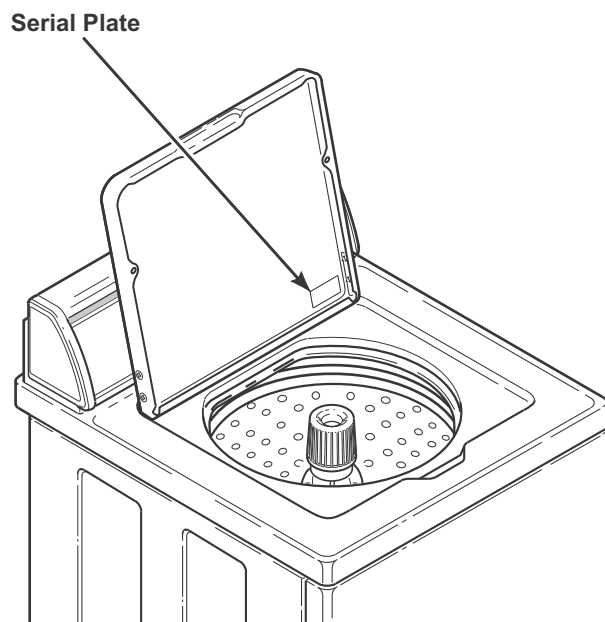
If literature or replacement parts are required, contact the source from whom the machine was purchased or contact Alliance Laundry Systems at (920) 748-3950 for the name and address of the nearest authorized parts distributor.

For technical assistance, call the number listed below:

(920) 748-3121 Ripon, Wisconsin

Serial Plate Location

When calling or writing about your product, be sure to mention model and serial numbers. Model and serial numbers are located on serial plate(s) as shown.



W429S_203418

Model Identification

Information in this manual is applicable to these washer models:

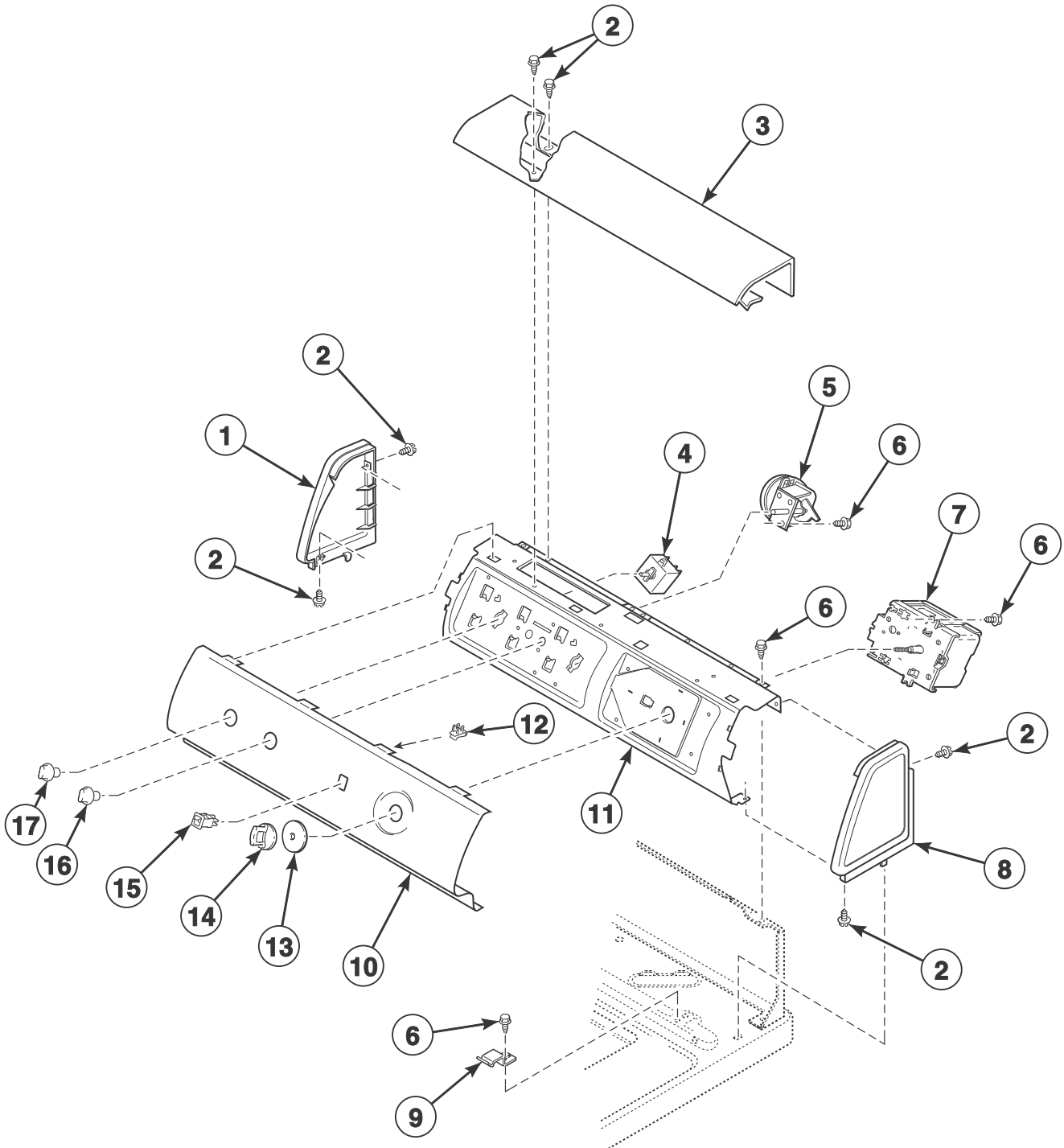
AWN312SP303LW22
AWN432SP113CW04
AWN432SP113FW28
AWNE82SP113CW01
AWNE82SP113FW01
AWNE92SP113FW01
AWNE92SP123DW01
AWNE92SP543DW01
AWNE92SP303NW29
AWNE92SP303NW36
AWNE92SP303XW01
AWNE92SP303XW26
AWNE92SP303XW34
DWN432SP113CW01
DWN432SP113CW04
FWNE52SP303NW26
FWNE52SP303WW01
FWNE52SP303ZW01
FWNE52SP303ZW14

LWN432PP113FW28
LWN432SP113CW04
LWN432SP113FW28
LWN432SP115CW01
LWNE22SP115CW01
LWNE52PP113ZW01
LWNE52PP303SW01
LWNE52SP103ZW01
LWNE52SP113CW01
LWNE52SP113FQ01
LWNE52SP113FW01
LWNE52SP113ZW01
LWNE52SP303AW01
LWNE52SP303BW01
LWNE52SP303EW01
LWNE52SP303LW01
LWNE52SP303NW26
LWNE52SP303NW35
LWNE52SP303SW01
LWNE52SP303UW01
LWNE52SP303VW26
LWNE52SP303WW01
LWNE52SP303WW37
LWNE52SP303ZW01
LWNE52SP543RW01
LWNE52SP543ZW01
LWNE52WP113FW01
LWNE52WP303ZW01
LWNE52WP543RW01
LWNE52WP543ZW01

MWNE52SP303WW37
MWNE52SP543RW01
PWNE12PP115CG01
PWNE12PP115CW01
PWNE32PP113CG01
PWNE32PP303AG01
YWN432SP113CW04
YWNE22PP115CW01
YWNE52PP113CW01
YWNE52SP303EW01
YWNE52SP303NW26
YWNE52SP303UW01
YWNE52SP303WW01
YWNE52SP543RW01
YWNE52SP543ZW01
ZWN432SP113CW01
ZWN432SP113CW04
ZWN432SP113FW28
ZWNE82SP113CW01
ZWNE82SP113FW01
ZWNE92SP113FW01

Graphic Panel, Control Support Panel and Controls

Models AWN312SP303LW22, AWN432SP113CW04, AWN432SP113FW28, DWN432SP113CW01, DWN432SP113CW04, LWN432PP113FW28, LWN432SP113CW04, LWN432SP113FW28, LWN432SP115CW01, YWN432SP113CW04, ZWN432SP113CW01, ZWN432SP113CW04 and ZWN432SP113FW28



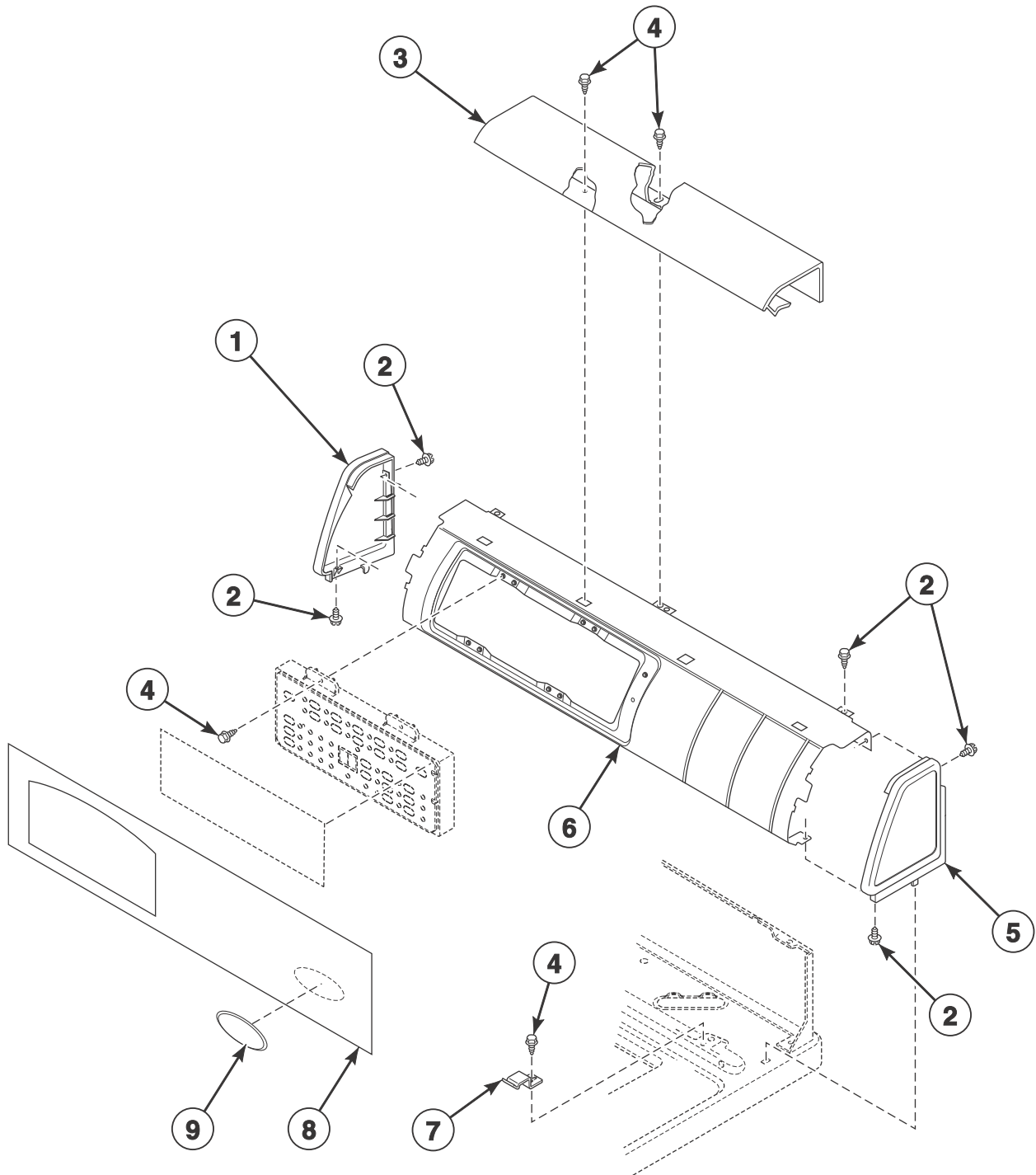
TLW1808P_203418

Graphic Panel, Control Support Panel and Controls

REF	PART NO.	DESCRIPTION	COMMENTS
1	D504009WP	End Panel	White; Left
2	D501086	Screw	
3	39905W	Top Cover	White
4	35115	Temperature Switch	3 position
5	201927P	Pressure Switch	Model AWN312SP303LW22
	204156	Pressure Switch	Model LWN432SP115CW01
	202937	Pressure Switch	All other models
6	23962	Screw	
	37925P	Timer	Model AWN312SP303LW22
	203387P	Timer	Models AWN432SP113CW04, DWN432SP113CW04, LWN432SP113CW04, LWN432SP115CW01, YWN432SP113CW04 and ZWN432SP113CW04
	202705P	Timer	All other models
8	D504008WP	End Panel	White; Right
9	35358	Hold-Down Clip	
10	203672W	Graphic Panel	Models DWN432SP113CW01 and DWN432SP113CW04
	203671W	Control Panel	Models ZWN432SP113CW01, ZWN432SP113CW04 and ZWN432SP113FW28
	203673W	Graphic Panel	Models LWN432PP113FW28, LWN432SP113CW04 and LWN432SP113FW28
	203678W	Graphic Panel	Model YWN432SP113CW04
	203606W	Graphic Panel	Model AWN432SP113FW28
	203822W	Graphic Panel	Model AWN312SP303LW22
	203713W	Graphic Panel	Model AWN432SP113CW04
	203826W	Graphic Panel	Model LWN432SP115CW01
11	38171	Control Support Panel	Model AWN312SP303LW22
	38565	Control Support Panel	All other models
12	00161	Grounding Clip	
13	803116	Timer Skirt Assembly	Models AWN312SP303LW22, AWN432SP113CW04, AWN432SP113FW28, ZWN432SP113CW01, ZWN432SP113CW04 and ZWN432SP113FW28
	36700W	Timer Skirt Assembly	White; All other models
14	202133	Timer Knob Assembly	Models AWN312SP303LW22, AWN432SP113CW04, AWN432SP113FW28, ZWN432SP113CW01, ZWN432SP113CW04 and ZWN432SP113FW28
	201501W	Timer Knob	White; All other models
15	38424W	Rocker Switch	White; All models except AWN312SP303LW22
16	803118P	Knob Assembly	Models AWN312SP303LW22, AWN432SP113CW04, AWN432SP113FW28, ZWN432SP113CW01, ZWN432SP113CW04 and ZWN432SP113FW28
	203323	Knob Assembly	All other models except LWN432SP115CW01
17	803119P	Control Knob Assembly	Models AWN312SP303LW22, AWN432SP113CW04, AWN432SP113FW28, ZWN432SP113CW01, ZWN432SP113CW04 and ZWN432SP113FW28
	36701W	Knob Assembly	All other models

Graphic Panel and Control Support Panel

All Models Except AWN432SP113CW04, AWN432SP113FW28, DWN432SP113CW01, DWN432SP113CW04, LWN432PP113FW28, LWN432SP113CW04, LWN432SP113FW28, LWN432SP115CW01, YWN432SP113CW04, ZWN432SP113CW01, ZWN432SP113CW04 and ZWN432SP113FW28



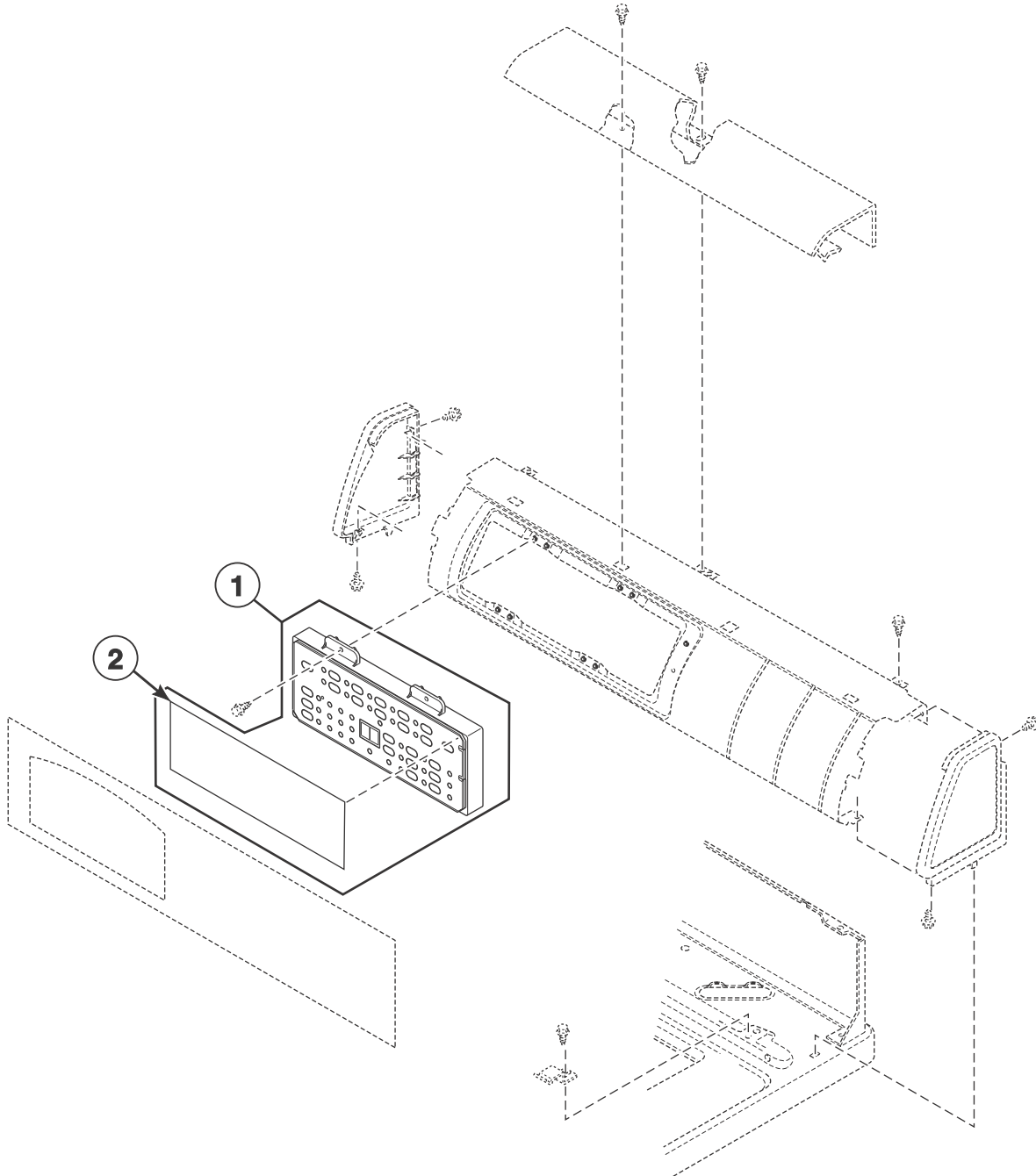
TLW1879P_203418

Graphic Panel and Control Support Panel

REF	PART NO.	DESCRIPTION	COMMENTS
1	D504009WP	End Panel	Left; White
	D504007P	End Panel	Left; Slate
2	D501086	Screw	
3	39905W	Top Cover	White
	39905DG	Top Cover	Dark gray
4	23962	Screw	
5	D504008WP	End Panel	Right; White
	D504006P	End Panel	Right; Slate
6	202942	Control Support Panel	
7	35358	Hold-Down Clip	
8	202797P	Graphic Panel	Models AWNE82SP113CW01, AWNE82SP113FW01, AWNE92SP113FW01, AWNE92SP123DW01, AWNE92SP543DW01, AWNE92SP303NW36, AWNE92SP303XW01, AWNE92SP303XW26 and AWNE92SP303XW34
	203167	Graphic Panel	Models ZWNE82SP113CW01, ZWNE82SP113FW01 and ZWNE92SP113FW01
	203165	Graphic Panel	Models YWNE22PP115CW01, YWNE52PP113CW01, YWNE52SP303EW01, YWNE52SP303NW26, YWNE52SP303UW01, YWNE52SP303WW01, YWNE52SP543RW01 and YWNE52SP543ZW01
	203166	Graphic Panel	Models FWNE52SP303NW26, FWNE52SP303WW01, FWNE52SP303ZW01, FWNE52SP303ZW14, MWNE52SP303WW37 and MWNE52SP543RW01
	203523	Graphic Panel	Models PWNE12PP115CG01, PWNE12PP115CW01, PWNE32PP113CG01 and PWNE32PP303AG01
	203151	Graphic Panel	All other models
9	204166	Domed Label	Models MWNE52SP303WW37 and MWNE52SP543RW01

Controls and Overlay

All Models Except AWN432SP113CW04, AWN432SP113FW28, DWN432SP113CW01, DWN432SP113CW04, LWN432PP113FW28, LWN432SP113CW04, LWN432SP113FW28, LWN432SP115CW01, YWN432SP113CW04, ZWN432SP113CW01, ZWN432SP113CW04 and ZWN432SP113FW28

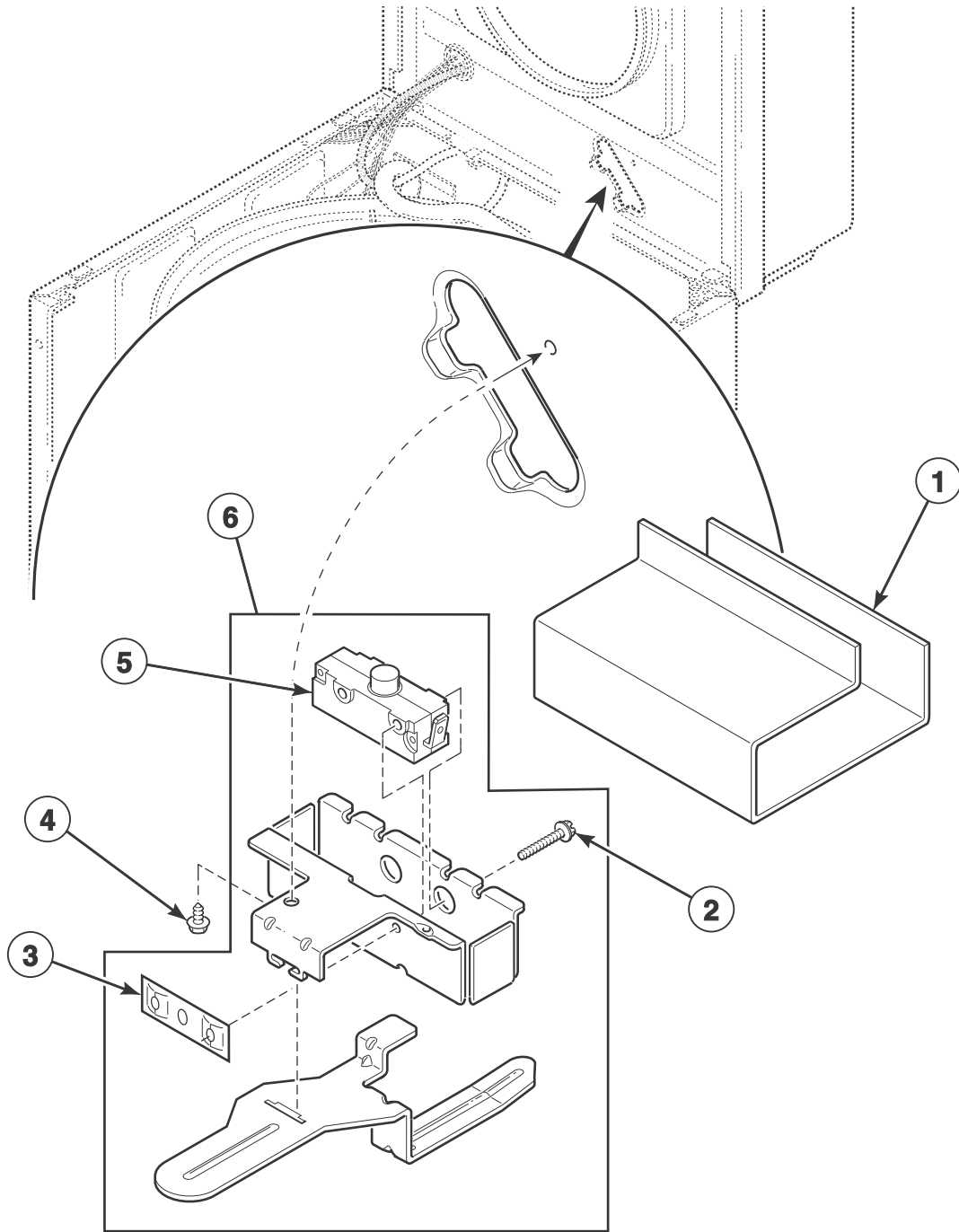


TLW1784P_203418

Controls and Overlay

REF	PART NO.	DESCRIPTION	COMMENTS
1	202904P	Control Assembly	Includes item 2; Models AWNE82SP113CW01 and ZWNE82SP113CW01
	202907P	Control Assembly	Includes item 2; Models LWNE52SP303UW01 and YWNE52SP303UW01
	202905P	Control Assembly	Includes item 2; Models FWNE52SP303NW26, FWNE52SP303WW01, FWNE52SP303ZW14, LWNE52PP303SW01, LWNE52SP113CW01, LWNE52SP113FQ01, LWNE52SP113FW01, LWNE52SP303AW01, LWNE52SP303NW35, LWNE52SP303SW01, LWNE52SP303WW01, LWNE52SP303WW37, LWNE52WP113FW01, MWNE52SP303WW37, YWNE52SP303NW26 and YWNE52SP303WW01
	203146P	Control Assembly	Includes item 2; Models LWNE52SP543RW01, LWNE52WP543RW01, MWNE52SP543RW01 and YWNE52SP543RW01
	203087P	Control Assembly	Includes item 2; Models LWNE52SP303EW01 and YWNE52SP303EW01
	202770P	Control Assembly	Includes item 2; Models AWNE82SP113FW01 and ZWNE82SP113FW01
	202769P	Control Assembly	Includes item 2; Models AWNE92SP113FW01, AWNE92SP303NW36, AWNE92SP303XW34 and ZWNE92SP113FW01
	203581	Control Assembly	Includes item 2; Models PWNE32PP113CG01 and PWNE32PP303AG01
	203702P	Control Assembly	Includes item 2; Models AWNE92SP303XW01 and AWNE92SP303XW26
	202903P	Control Assembly	Includes item 2; Models AWNE92SP123DW01 and AWNE92SP543DW01
	204025	Control Assembly	Model AWNE92SP303NW29
	204289	Control Assembly	Includes item 2; Models PWNE12PP115CG01 and PWNE12PP115CW01
	204293	Control Assembly	Includes item 2; Model YWNE22PP115CW01
	204288	Control Assembly	Includes item 2; Model LWNE22SP115CW01
	202906P	Control Assembly	Includes item 2; All other models
2	202754	Overlay	Models AWNE82SP113CW01 and ZWNE82SP113CW01
	202750	Control Overlay	Models FWNE52SP303NW26, FWNE52SP303WW01, FWNE52SP303ZW14, LWNE52PP303SW01, LWNE52SP113CW01, LWNE52SP113FQ01, LWNE52SP113FW01, LWNE52SP303AW01, LWNE52SP303NW35, LWNE52SP303SW01, LWNE52SP303VW26, LWNE52SP303WW01, LWNE52SP303WW37, LWNE52SP543RW01, LWNE52WP113FW01, LWNE52WP543RW01, MWNE52SP303WW37, MWNE52SP543RW01, YWNE52SP303NW26, YWNE52SP303WW01 and YWNE52SP543RW01
	202922	Overlay	Models LWNE52SP303UW01 and YWNE52SP303UW01
	203077	Overlay	Models LWNE52SP303EW01 and YWNE52SP303EW01
	202751	Control Overlay	Models AWNE82SP113FW01 and ZWNE82SP113FW01
	202628	Overlay	Models AWNE92SP113FW01, AWNE92SP303NW36, AWNE92SP303XW01, AWNE92SP303XW26, AWNE92SP303XW34 and ZWNE92SP113FW01
	202755	Overlay	Models AWNE92SP123DW01 and AWNE92SP543DW01
	203541	Overlay	Models PWNE32PP113CG01 and PWNE32PP303AG01
	203973	Overlay	Model AWNE92SP303NW29
	204168	Overlay	Models PWNE12PP115CG01 and PWNE12PP115CW01
	204165	Overlay	Model LWNE22SP115CW01
	204167	Overlay	Model YWNE22PP115CW01
	202753	Overlay	All other models

Lid Switch Assembly



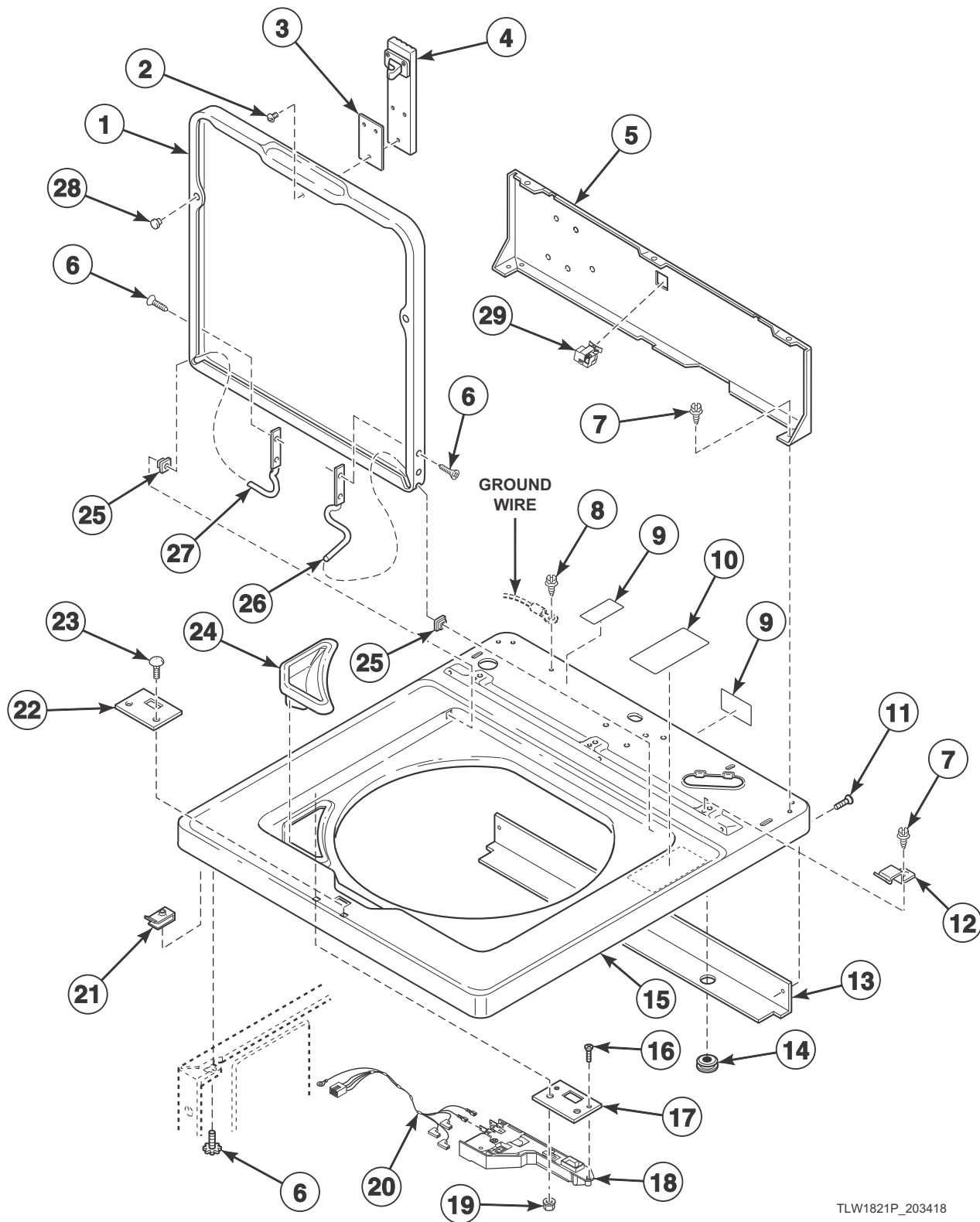
TLW1797P_203418

Lid Switch Assembly

REF	PART NO.	DESCRIPTION	COMMENTS
1	203136	Lid Switch Drip Shield	Models AWNE82SP113FW01, AWNE92SP113FW01, AWNE92SP123DW01, AWNE92SP303NW29, AWNE92SP303NW36, AWNE92SP303XW01, AWNE92SP303XW26, AWNE92SP303XW34, AWNE92SP543DW01, FWNE52SP303NW26, FWNE52SP303WW01, FWNE52SP303ZW01, FWNE52SP303ZW14, LWNE52PP113ZW01, LWNE52PP303SW01, LWNE52SP113FQ01, LWNE52SP113FW01, LWNE52SP113ZW01, LWNE52SP303AW01, LWNE52SP303BW01, LWNE52SP303LW01, LWNE52SP303NW26, LWNE52SP303SW01, LWNE52SP303UW01, LWNE52SP303VW26, LWNE52SP303WW01, LWNE52SP303WW37, LWNE52SP303ZW01, LWNE52SP543RW01, LWNE52SP543ZW01, LWNE52WP113FW01, LWNE52WP303ZW01, LWNE52WP543RW01, LWNE52WP543ZW01, MWNE52SP303WW37, MWNE52SP543RW01, PWNE32PP303AG01, YWNE52SP303EW01, YWNE52SP303NW26, YWNE52SP303UW01, YWNE52SP303WW01, YWNE52SP543RW01, YWNE52SP543ZW01, ZWNE82SP113FW01 and ZWNE92SP113FW01
2	M402574	Screw	
3	M400981	Nut	
4	23962	Screw	
5	37830	Switch	Models LWNE52SP303EW01, LWNE52SP303UW01, YWNE52SP303EW01 and YWNE52SP303UW01
	33445	Switch	All other models
6	39256	Switch Assembly	Models LWNE52SP303EW01, LWNE52SP303UW01, YWNE52SP303EW01 and YWNE52SP303UW01
	37631	Lid Switch Assembly	All other models

Top, Lid and Lid Lock

Models LWNE52SP303EW01, LWNE52SP303UW01, YWNE52SP303EW01 and YWNE52SP303UW01



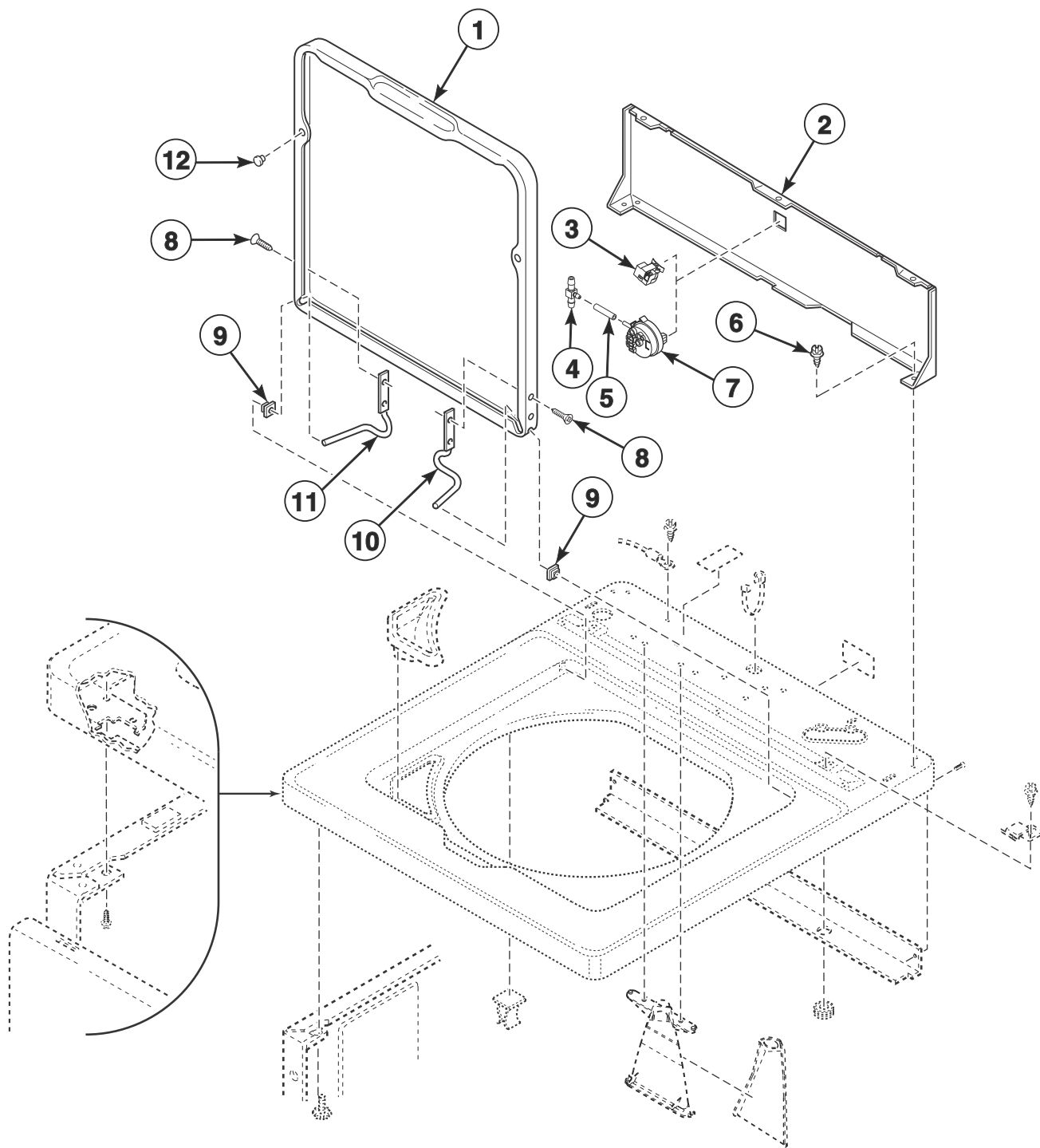
TLW1821P_203418

Top, Lid and Lid Lock

REF	PART NO.	DESCRIPTION	COMMENTS
1	202896W	Lid	White
2	201415	Screw	
3	202934	Door Lock Spacer	
4	202930	Lid Lock Catch Assembly	Includes item 3 and attaching hardware
5	203110	Hood Back Panel	
6	34337	Screw	
7	23962	Screw	
8	52909	Screw	
9	F8211201	Electrical Shock Label	
10	36592	Warning Sticker	
11	431287	Screw	
12	35358	Hold-Down Clip	
13	203946	Top Shield	
14	80262	Grommet	
15	202966W	Top Assembly	Models YWNE52SP303EW01 and YWNE52SP303UW01
	202929W	Top Assembly	Models LWNE52SP303EW01 and LWNE52SP303UW01
16	202623	Screw	
17	29676	Switch Mounting Plate	
18	202933	Lid Lock Kit	
19	22001	Nut	
20	203389	Lid Lock Wire Harness Assembly	
21	22001	Nut	
22	37828P	Cover Plate	
23	32184	Bolt	
24	38382	Bleach Dispenser	
25	33446	Bushing	
26	36437	Lid Hinge	Right
27	36513	Lid Hinge	Left
28	21685	Bumper	
29	202470	Pressure Sensor	

Lid and Hood Back Panel

All Models Except LWNE52SP303EW01, LWNE52SP303UW01, YWNE52SP303EW01 and YWNE52SP303UW01



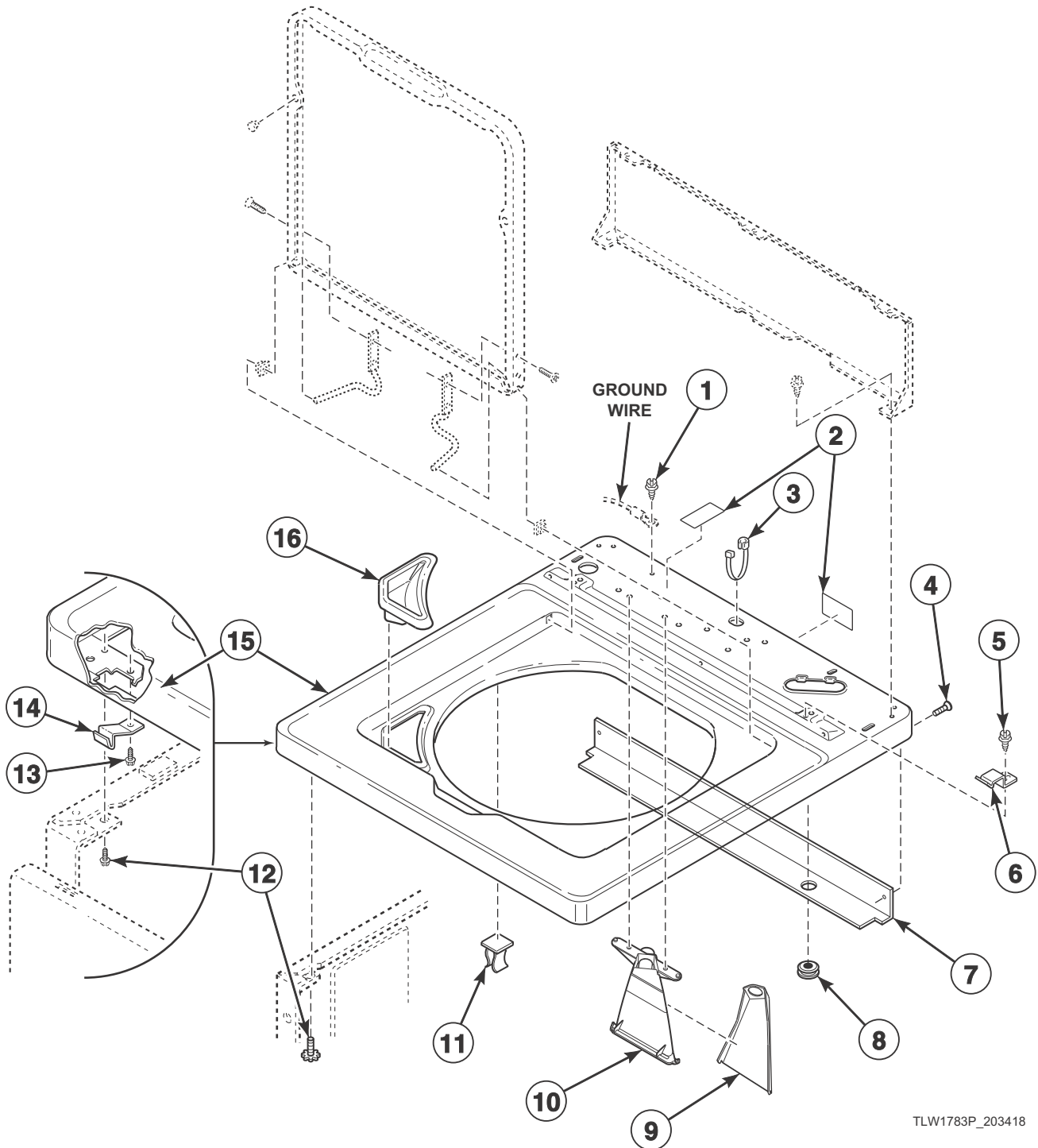
TLW1823P_203418

Lid and Hood Back Panel

REF	PART NO.	DESCRIPTION	COMMENTS
1	37395WP	Lid	White
	37395QP	Lid	Bisque
	37395DG	Lid	Dark gray
	203045	Lid Warning Label	
2	202549	Hood Back Panel	Models AWN432SP113CW04, AWNE82SP113CW01, DWN432SP113CW04, LWN432SP113CW04, LWNE22SP115CW01, LWNE52SP113CW01, PWNE12PP115CG01, PWNE12PP115CW01, PWNE32PP113CG01, YWN432SP113CW04, YWNE22PP115CW01, YWNE52PP113CW01, ZWN432SP113CW04 and ZWNE82SP113CW01
	39921	Hood Back Panel	Model AWNE92SP303NW36
	204259	Hood Back Panel	Model LWN432SP115CW01
	37782	Hood Back Panel	Models AWN312SP303LW22, AWN432SP113FW28, DWN432SP113CW01, LWN432PP113FW28, LWN432SP113FW28, ZWN432SP113CW01 and ZWN432SP113FW28
	203110	Hood Back Panel	All other models
3	202470	Pressure Sensor	All models except AWN312SP303LW22, AWN432SP113CW04, AWN432SP113FW28, DWN432SP113CW01, DWN432SP113CW04, LWN432PP113FW28, LWN432SP113CW04, LWN432SP113FW28, LWN432SP115CW01, YWN432SP113CW04, ZWN432SP113CW01, ZWN432SP113CW04 and ZWN432SP113FW28
4	203464	Barbed Tee	Models AWN432SP113CW04, DWN432SP113CW04, LWN432SP113CW04, YWN432SP113CW04 and ZWN432SP113CW04
5	203511	Tubing	Models AWN432SP113CW04, DWN432SP113CW04, LWN432SP113CW04, YWN432SP113CW04 and ZWN432SP113CW04
6	23962	Screw	
7	B12548401	Pressure Switch	Models AWN432SP113CW04, DWN432SP113CW04, LWN432SP113CW04, YWN432SP113CW04 and ZWN432SP113CW04
8	34337	Screw	
9	33446	Bushing	
10	36437	Lid Hinge	Right
11	36513	Lid Hinge	Left
12	21685	Bumper	

Top

All Models Except LWNE52SP303EW01, LWNE52SP303UW01, YWNE52SP303EW01 and YWNE52SP303UW01



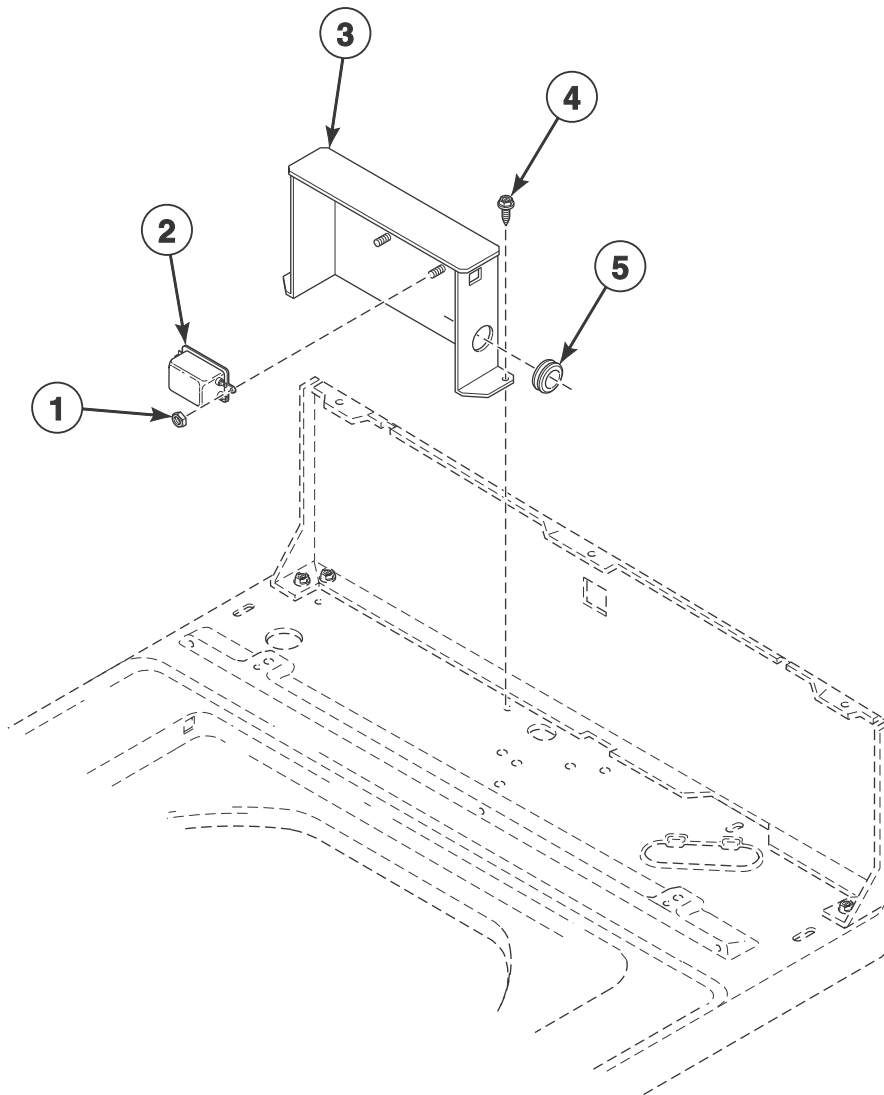
TLW1783P_203418

Top

REF	PART NO.	DESCRIPTION	COMMENTS
1	52909	Screw	
2	D500316	Warning Label	Models AWN432SP113CW04, AWNE82SP113CW01, DWN432SP113CW01, DWN432SP113CW04, LWN432SP113CW04, LWN432SP115CW01, LWNE22SP115CW01, LWNE52SP113CW01, PWNE12PP115CG01, PWNE12PP115CW01, PWNE32PP113CG01, YWN432SP113CW04, YWNE22PP115CW01, YWNE52PP113CW01, ZWN432SP113CW01, ZWN432SP113CW04 and ZWNE82SP113CW01
	F8211201	Electrical Shock Label	All other models
3	38384	Strain Relief	
4	431287	Screw	Models AWNE82SP113FW01, AWNE92SP113FW01, AWNE92SP123DW01, AWNE92SP303NW29, AWNE92SP303NW36, AWNE92SP303XW01, AWNE92SP303XW26, AWNE92SP303XW34, AWNE92SP543DW01, FWNE52SP303NW26, FWNE52SP303WW01, FWNE52SP303ZW01, FWNE52SP303ZW14, LWNE52PP113ZW01, LWNE52PP303SW01, LWNE52SP103ZW01, LWNE52SP113FQ01, LWNE52SP113FW01, LWNE52SP113ZW01, LWNE52SP303AW01, LWNE52SP303BW01, LWNE52SP303LW01, LWNE52SP303NW26, LWNE52SP303SW01, LWNE52SP303VW26, LWNE52SP303WW01, LWNE52SP303WW37, LWNE52SP303ZW01, LWNE52SP543RW01, LWNE52SP543ZW01, LWNE52WP113FW01, LWNE52WP303ZW01, LWNE52WP543RW01, LWNE52WP543ZW01, MWNE52SP303WW37, MWNE52SP543RW01, PWNE32PP303AG01, YWNE52SP303NW26, YWNE52SP303WW01, ZWNE82SP113FW01 and ZWNE92SP113FW01
5	23962	Screw	
6	35358	Hold-Down Clip	
7	203946	Top Shield	Models AWNE82SP113FW01, AWNE92SP113FW01, AWNE92SP123DW01, AWNE92SP303NW29, AWNE92SP303NW36, AWNE92SP303XW01, AWNE92SP303XW26, AWNE92SP303XW34, AWNE92SP543DW01, FWNE52SP303NW26, FWNE52SP303WW01, FWNE52SP303ZW01, FWNE52SP303ZW14, LWNE52PP113ZW01, LWNE52PP303SW01, LWNE52SP103ZW01, LWNE52SP113FQ01, LWNE52SP113FW01, LWNE52SP113ZW01, LWNE52SP303AW01, LWNE52SP303BW01, LWNE52SP303LW01, LWNE52SP303NW26, LWNE52SP303SW01, LWNE52SP303VW26, LWNE52SP303WW01, LWNE52SP303WW37, LWNE52SP303ZW01, LWNE52SP543RW01, LWNE52SP543ZW01, LWNE52WP113FW01, LWNE52WP303ZW01, LWNE52WP543RW01, LWNE52WP543ZW01, MWNE52SP303WW37, MWNE52SP543RW01, PWNE32PP303AG01, YWNE52SP303NW26, YWNE52SP303WW01, ZWNE82SP113FW01 and ZWNE92SP113FW01
8	80262	Grommet	Use with item 7
9	202894	Inlet Cover	
10	202900	Inlet Deflector	
11	36519	Hinge Stop Clip	
12	33562	Screw	
13	D501086	Screw	
14	35358	Hold-Down Clip	
15	37992WP	Top	White
	37992QP	Top	Bisque
	37992DG	Top	Dark gray
16	38382	Bleach Dispenser	

Junction Box

Models AWNE82SP113FW01, AWNE92SP113FW01, AWNE92SP123DW01, AWNE92SP303NW29, AWNE92SP303NW36, AWNE92SP303XW01, AWNE92SP303XW26, AWNE92SP303XW34, AWNE92SP543DW01, FWNE52SP303NW26, FWNE52SP303WW01, FWNE52SP303ZW01, FWNE52SP303ZW14, LWNE52PP113ZW01, LWNE52PP303SW01, LWNE52SP113FQ01, LWNE52SP113FW01, LWNE52SP113ZW01, LWNE52SP303AW01, LWNE52SP303BW01, LWNE52SP303EW01, LWNE52SP303LW01, LWNE52SP303NW26, LWNE52SP303SW01, LWNE52SP303UW01, LWNE52SP303VW26, LWNE52SP303WW01, LWNE52SP303WW37, LWNE52SP303ZW01, LWNE52SP543RW01, LWNE52SP543ZW01, LWNE52WP113FW01, LWNE52WP303ZW01, LWNE52WP543RW01, LWNE52WP543ZW01, MWNE52SP303WW37, MWNE52SP543RW01, PWNE32PP303AG01, YWNE52SP303EW01, YWNE52SP303NW26, YWNE52SP303UW01, YWNE52SP303WW01, YWNE52SP543RW01, YWNE52SP543ZW01, ZWNE82SP113FW01 and ZWNE92SP113FW01

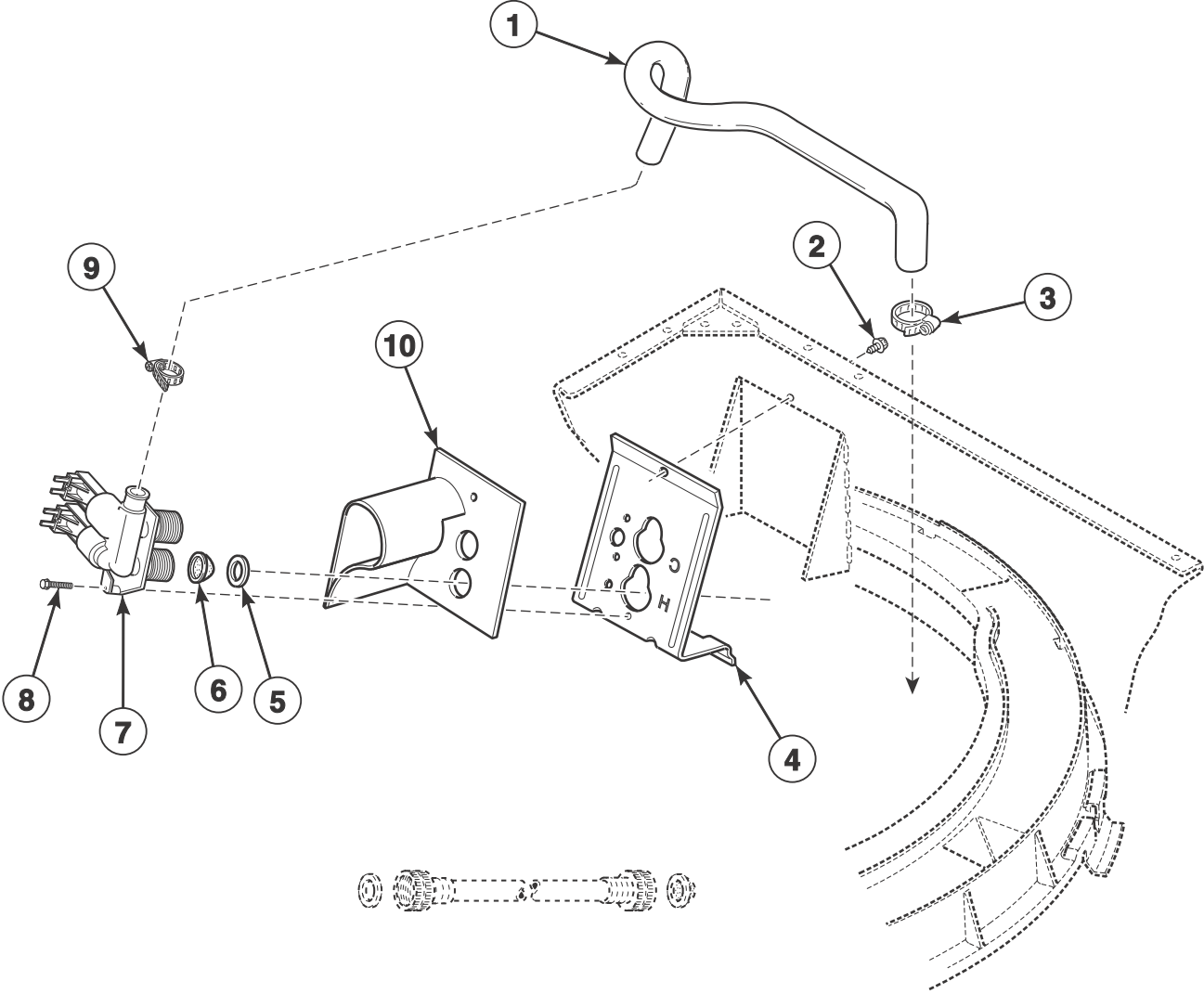


TLW1809P_203418

Junction Box

REF	PART NO.	DESCRIPTION	COMMENTS
	202756	Filter Harness	Model AWNE92SP303NW36
	804724	Cable Tie	
1	29787	Nut	
2	804864	Line Filter	
3	203068	Junction Box	
4	800258	Screw	
5	80262	Grommet	

Mixing Valve-to-Tub Cover Hose, Mixing Valve and Bracket

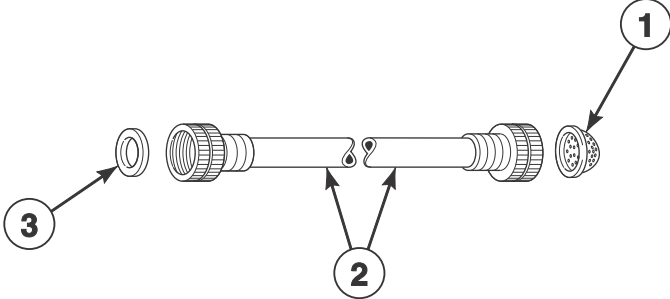


TLW1798P_203418

Mixing Valve-to-Tub Cover Hose, Mixing Valve and Bracket

REF	PART NO.	DESCRIPTION	COMMENTS
1	202884	Valve to Inlet Hose	
2	33562	Screw	
3	800803	Hose Clamp	
4	39407	Mixing Valve Mounting Bracket	
5	20290	Washer	
6	24122	Mixing Valve Screen	
7	202395P	Mixing Valve	Models AWN432SP113CW04, AWN432SP113FW28, AWNE82SP113CW01, AWNE82SP113FW01, AWNE92SP113FW01, AWNE92SP123DW01, DWN432SP113CW01, DWN432SP113CW04, LWN432PP113FW28, LWN432SP113CW04, LWN432SP113FW28, LWN432SP115CW01, LWNE22SP115CW01, LWNE52PP113ZW01, LWNE52SP113CW01, LWNE52SP113FQ01, LWNE52SP113FW01, LWNE52SP113ZW01, LWNE52WP113FW01, PWNE12PP115CG01, PWNE12PP115CW01, PWNE32PP113CG01, YWN432SP113CW04, YWNE22PP115CW01, YWNE52PP113CW01, ZWN432SP113CW01, ZWN432SP113CW04, ZWN432SP113FW28, ZWNE82SP113CW01, ZWNE82SP113FW01 and ZWNE92SP113FW01
	202396P	Mixing Valve	All other models
8	39397	Screw	
9	36801	Hose Clamp	
10	202899	Mixing Valve Shield	Models AWNE82SP113FW01, AWNE92SP113FW01, AWNE92SP123DW01, AWNE92SP303NW29, AWNE92SP303NW36, AWNE92SP303XW01, AWNE92SP303XW26, AWNE92SP303XW34, AWNE92SP543DW01, FWNE52SP303NW26, FWNE52SP303WW01, FWNE52SP303ZW01, FWNE52SP303ZW14, LWNE52PP113ZW01, LWNE52PP303SW01, LWNE52SP103ZW01, LWNE52SP113FQ01, LWNE52SP113FW01, LWNE52SP113ZW01, LWNE52SP303AW01, LWNE52SP303BW01, LWNE52SP303EW01, LWNE52SP303LW01, LWNE52SP303NW26, LWNE52SP303SW01, LWNE52SP303UW01, LWNE52SP303VW26, LWNE52SP303WW01, LWNE52SP303WW37, LWNE52SP303ZW01, LWNE52SP543RW01, LWNE52SP543ZW01, LWNE52WP113FW01, LWNE52WP303ZW01, LWNE52WP543RW01, LWNE52WP543ZW01, MWNE52SP303WW37, MWNE52SP543RW01, PWNE32PP303AG01, YWNE52SP303EW01, YWNE52SP303NW26, YWNE52SP303UW01, YWNE52SP303WW01, YWNE52SP543RW01, YWNE52SP543ZW01, ZWNE82SP113FW01 and ZWNE92SP113FW01

Fill Hose



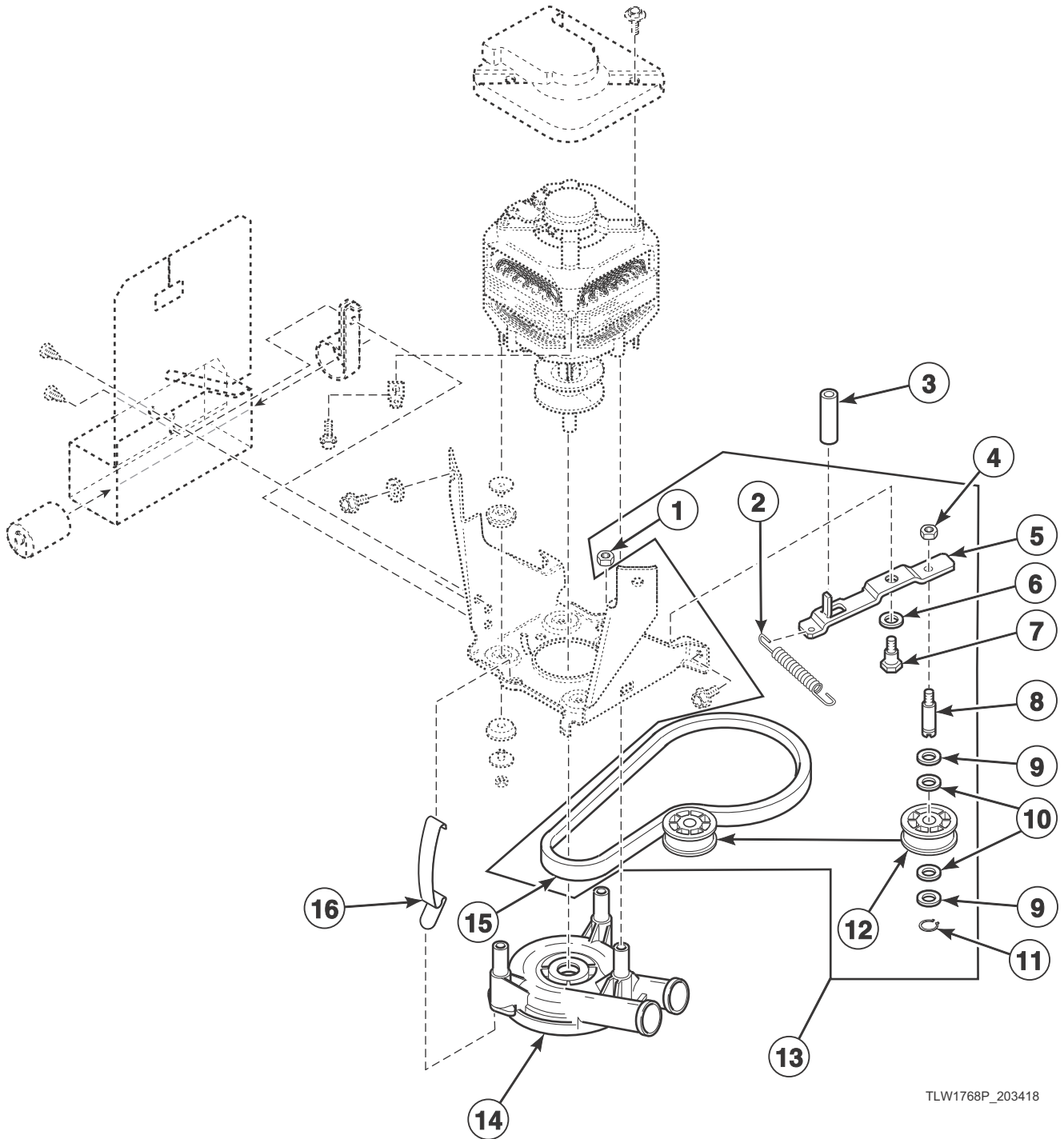
TLW1833P_203418

Fill Hose

REF	PART NO.	DESCRIPTION	COMMENTS
1	803615	Washer	Filter screen
	802254	Washer	Flow restrictor; Water pressure reducer; Available for water pressure up to but not exceeding 120 psi
2	203720	Fill Hose	Marked for cold water; 4 feet; 2 standard thread hose couplings; 2 standard thread hose couplings
	203719	Fill Hose	Marked for hot water; 4 feet; 2 standard thread hose couplings; 2 standard thread hose couplings
	203750	Fill Hose	Marked for cold water; 4 feet; 1 BSPP thread hose coupling and 1 standard thread hose coupling
	203718	Fill Hose	Marked for hot water; 4 feet; 1 BSPP thread hose coupling and 1 standard thread hose coupling
3	20290	Washer	

Belt, Pump and Idler Assembly (Drawing 1 of 2)

Models AWN312SP303LW22, AWNE92SP303NW29, AWNE92SP303NW36, AWNE92SP303XW01, AWNE92SP303XW26, AWNE92SP303XW34, FWNE52SP303NW26, FWNE52SP303WW01, FWNE52SP303ZW01, FWNE52SP303ZW14, LWNE52PP303SW01, LWNE52SP103ZW01, LWNE52SP303AW01, LWNE52SP303BW01, LWNE52SP303EW01, LWNE52SP303LW01, LWNE52SP303NW26, LWNE52SP303NW35, LWNE52SP303SW01, LWNE52SP303UW01, LWNE52SP303VW26, LWNE52SP303WW01, LWNE52SP303WW37, LWNE52SP303ZW01, LWNE52WP303ZW01, MWNE52SP303WW37, PWNE32PP303AG01, YWNE52SP303EW01, YWNE52SP303NW26, YWNE52SP303UW01 and YWNE52SP303WW01



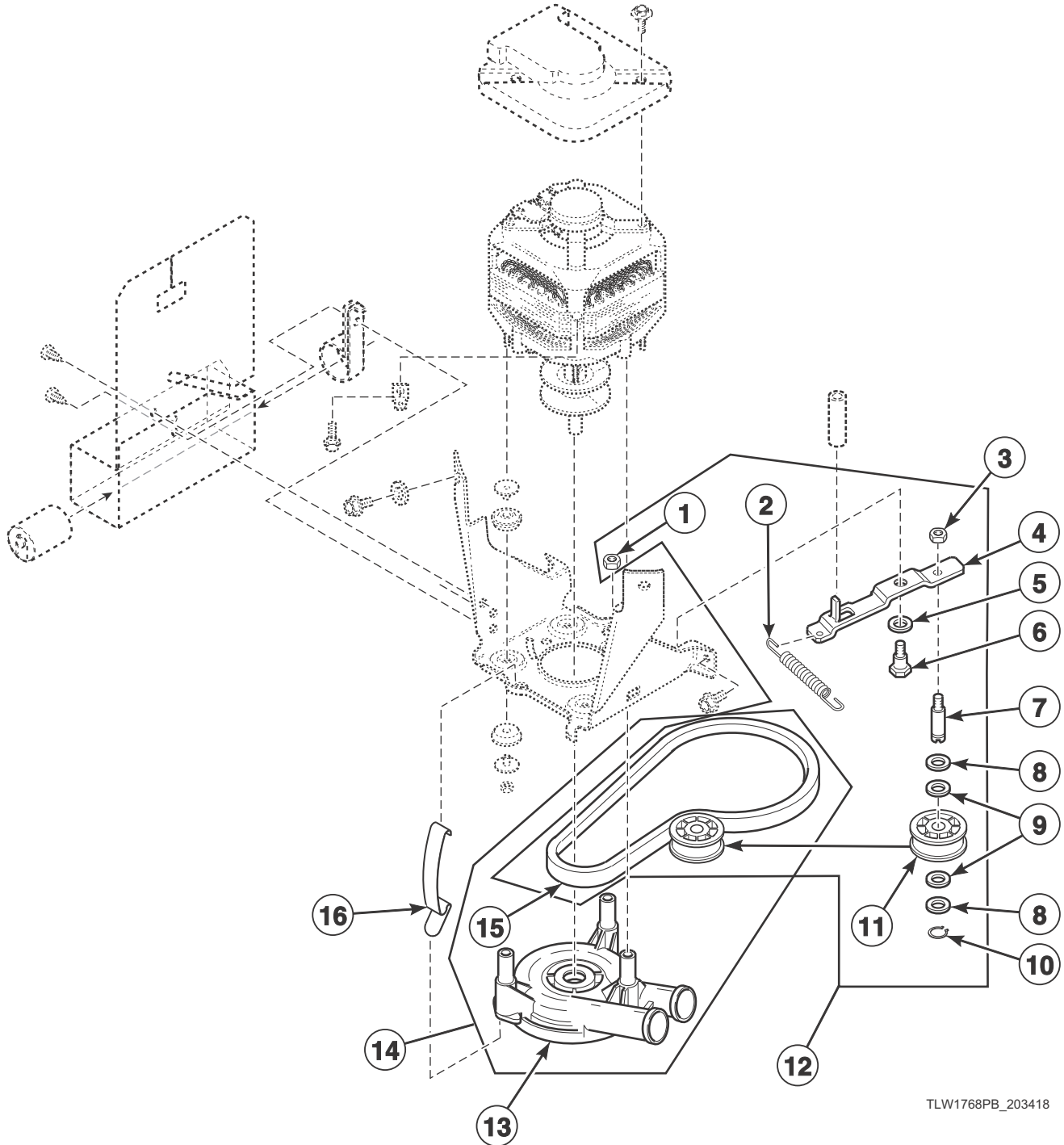
TLW1768P_203418

Belt, Pump and Idler Assembly (Drawing 1 of 2)

REF	PART NO.	DESCRIPTION	COMMENTS
	202378	Idler Lever Assembly	Includes items 3-5 and 8-12
1	52566	Nut	
2	201189	Idler Lever Spring	
3	202333	Tube	Models FWNE52SP303NW26, FWNE52SP303ZW01, FWNE52SP303ZW14, LWNE52PP303SW01, LWNE52SP303AW01, LWNE52SP303LW01, LWNE52SP303NW26, LWNE52SP303NW35, LWNE52SP303SW01, LWNE52SP303VW26, LWNE52SP303ZW01, LWNE52WP303ZW01, PWNE32PP303AG01 and YWNE52SP303NW26
4	28803	Nut	
5	38011	Idler Lever	
6	81392	Washer	
7	27229	Screw	
8	210186	Idler Shaft	
9	D504082	Washer	
10	52549	Washer	Nylatron
11	23748	Retaining Ring	
12	38225P	Idler Pulley	
13	202972	Idler Lever and Belt Kit	Includes items 1, 2, 4-12 and 15
14	201566P	Pump	
	201442P	Pump Assembly	Heavy Duty
15	200923	Agitate and Spin Belt	
16	210202	Spring Clip	

Belt, Pump and Idler Assembly (Drawing 2 of 2)

Models AWN432SP113CW04, AWN432SP113FW28, AWNE82SP113CW01, AWNE82SP113FW01, AWNE92SP113FW01, AWNE92SP123DW01, AWNE92SP543DW01, DWN432SP113CW01, DWN432SP113CW04, LWN432PP113FW28, LWN432SP113CW04, LWN432SP113FW28, LWN432SP115CW01, LWNE22SP115CW01, LWNE52PP113ZW01, LWNE52SP113CW01, LWNE52SP113FQ01, LWNE52SP113FW01, LWNE52SP113ZW01, LWNE52SP543RW01, LWNE52SP543ZW01, LWNE52WP113FW01, LWNE52WP543RW01, LWNE52WP543ZW01, MWNE52SP543RW01, PWNE12PP115CG01, PWNE12PP115CW01, PWNE32PP113CG01, YWN432SP113CW04, YWNE22PP115CW01, YWNE52PP113CW01, YWNE52SP543RW01, YWNE52SP543ZW01, ZWN432SP113CW01, ZWN432SP113CW04, ZWN432SP113FW28, ZWNE82SP113CW01, ZWNE82SP113FW01 and ZWNE92SP113FW01

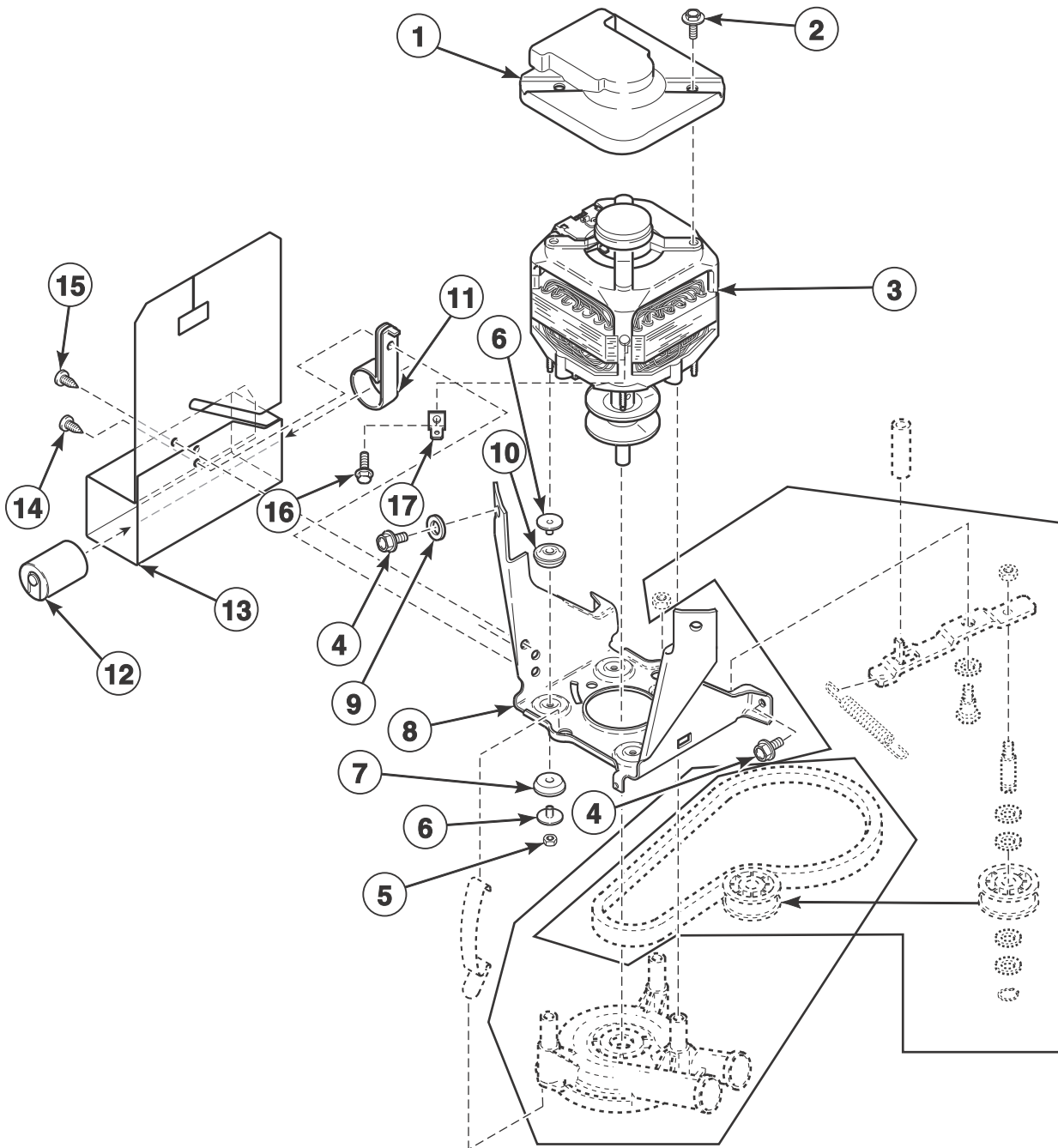


TLW1768PB_203418

Belt, Pump and Idler Assembly (Drawing 2 of 2)

REF	PART NO.	DESCRIPTION	COMMENTS
	202378	Idler Lever Assembly	Includes items 3, 4 and 7-11
1	52566	Nut	
2	202032	Idler Lever Spring	
3	28803	Nut	
4	38011	Idler Lever	
5	81392	Washer	
6	27229	Screw	
7	210186	Idler Shaft	
8	D504082	Washer	
9	52549	Washer	Nylatron
10	23748	Retaining Ring	
11	38225P	Idler Pulley	
12	959P3	Idler Lever Kit	Includes items 1, 2, 3-11 and 15
13	201566P	Pump	
	201442P	Pump Assembly	Heavy Duty
14	RB150003	Belt and Pump Kit	Includes items 13 and 15
15	38174	Agitate and Spin Belt	
16	210202	Spring Clip	

Motor and Mounting Bracket

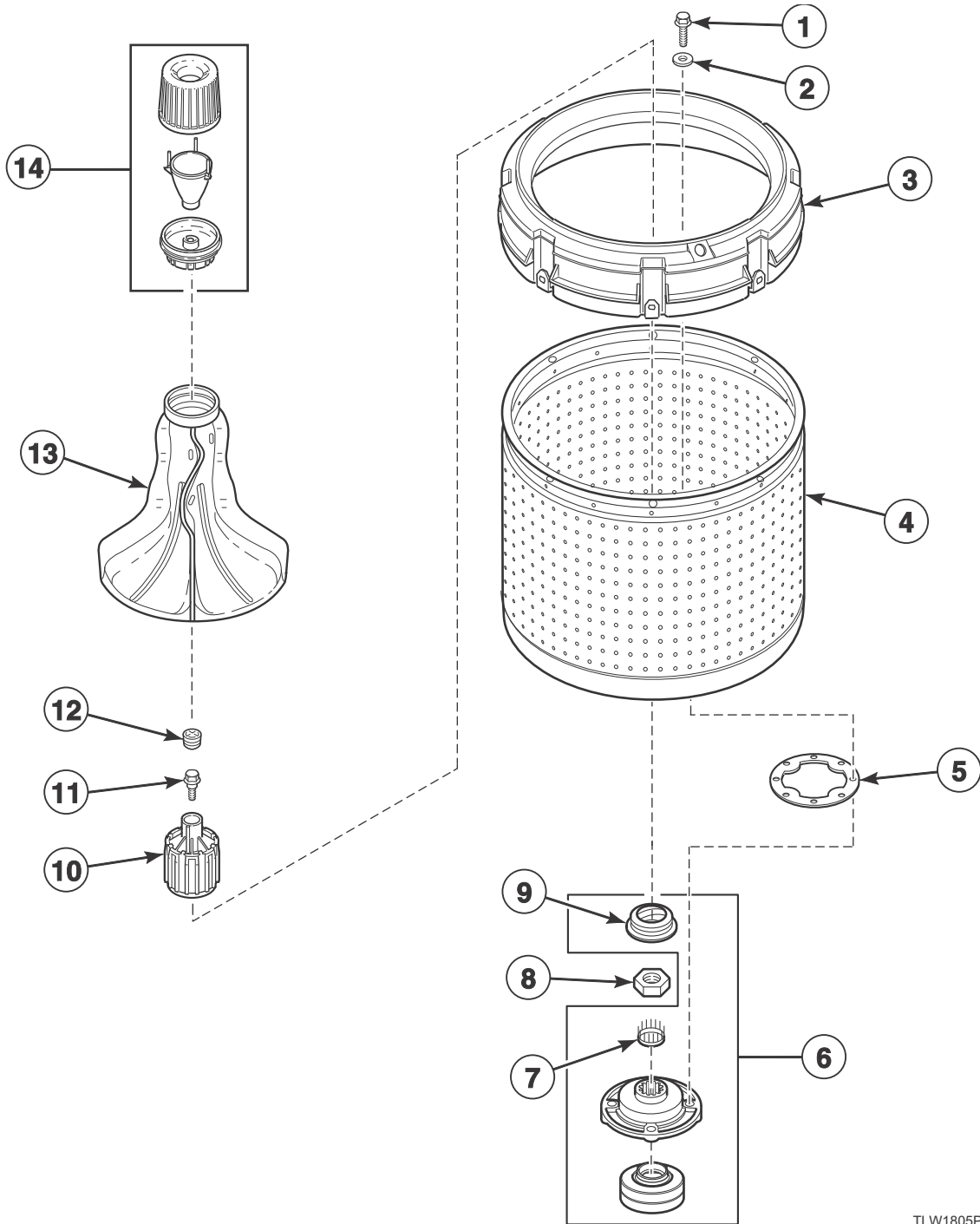


TLW1768PA_203418

Motor and Mounting Bracket

REF	PART NO.	DESCRIPTION	COMMENTS
1	34754	Motor Shield	
2	36639	Screw	
3	201433P	Motor Kit	2 speed; 240 Volt/50 Hertz; Model AWN312SP303LW22
	202960	Motor Assembly	2 speed; 220 Volt/60 Hertz; Models AWNE92SP543DW01, LWNE52SP543RW01, LWNE52SP543ZW01, LWNE52WP543RW01, LWNE52WP543ZW01, MWNE52SP543RW01, YWNE52SP543RW01 and YWNE52SP543ZW01
	38034P	Motor Kit	2 speed; 120 Volt/60 Hertz; Models AWN432SP113CW04, AWN432SP113FW28, AWNE82SP113CW01, AWNE82SP113FW01, AWNE92SP113FW01, DWN432SP113CW01, DWN432SP113CW04, LWN432PP113FW28, LWN432SP113CW04, LWN432SP113FW28, LWN432SP115CW01, LWNE22SP115CW01, LWNE52PP113ZW01, LWNE52SP113CW01, LWNE52SP113FQ01, LWNE52SP113FW01, LWNE52SP113ZW01, LWNE52WP113FW01, PWNE12PP115CG01, PWNE12PP115CW01, PWNE32PP113CG01, YWN432SP113CW04, YWNE22PP115CW01, YWNE52PP113CW01, ZWN432SP113CW01, ZWN432SP113CW04, ZWN432SP113FW28, ZWNE82SP113CW01, ZWNE82SP113FW01 and ZWNE92SP113FW01
	202961	Motor Assembly	2 speed; Model LWNE52SP103ZW01
	202971	Motor Assembly	2 speed; 127 Volt/60 Hertz; Model AWNE92SP123DW01
	202544P	Motor Assembly	2 speed; All other models
4	35369	Screw	
5	35423	Nut	
6	38325	Isolator Post	
7	38396	Motor Mount	
8	200941	Motor Mount Bracket	
9	37772	Washer	
10	38395	Motor Mount	
11	37535	Capacitor Clamp	
12	39259P	Capacitor and Clamp Kit	Model LWNE52SP303NW35
	37377	Capacitor	Models AWN432SP113CW04, AWN432SP113FW28, AWNE82SP113CW01, DWN432SP113CW01, DWN432SP113CW04, LWN432PP113FW28, LWN432SP113CW04, LWN432SP113FW28, LWN432SP115CW01, LWNE22SP115CW01, LWNE52SP103ZW01, LWNE52SP113CW01, PWNE12PP115CG01, PWNE12PP115CW01, PWNE32PP113CG01, YWN432SP113CW04, YWNE22PP115CW01, YWNE52PP113CW01, ZWN432SP113CW01, ZWN432SP113CW04, ZWN432SP113FW28 and ZWNE82SP113CW01
	203141	Capacitor	Models AWNE82SP113FW01, AWNE92SP113FW01, AWNE92SP123DW01, AWNE92SP543DW01, LWNE52PP113ZW01, LWNE52SP113FQ01, LWNE52SP113FW01, LWNE52SP113ZW01, LWNE52WP113FW01, ZWNE82SP113FW01 and ZWNE92SP113FW01
	203140	Capacitor	All other models except AWN312SP303LW22
13	203053	Motor Drip Shield	All models except AWN312SP303LW22
14	31645	Screw	
15	52909	Screw	
16	20530	Screw	Models AWN312SP303LW22, AWNE92SP303NW29, AWNE92SP303NW36, AWNE92SP303XW01, AWNE92SP303XW26, AWNE92SP303XW34, FWNE52SP303NW26, FWNE52SP303WW01, FWNE52SP303ZW01, FWNE52SP303ZW14, LWNE52PP303SW01, LWNE52SP303AW01, LWNE52SP303BW01, LWNE52SP303NW26, LWNE52SP303SW01, LWNE52SP303VW26, LWNE52SP303WW01, LWNE52SP303WW37, LWNE52SP303ZW01, MWNE52SP303WW37, MWNE52SP543RW01, PWNE32PP303AG01, YWNE52SP303NW26 and YWNE52SP303WW01
17	00177	Male Tab Terminal	Models AWN312SP303LW22, AWNE92SP303NW29, AWNE92SP303NW36, AWNE92SP303XW01, AWNE92SP303XW26, AWNE92SP303XW34, FWNE52SP303NW26, FWNE52SP303WW01, FWNE52SP303ZW01, LWNE52SP303ZW14, LWNE52PP303SW01, LWNE52SP303AW01, LWNE52SP303BW01, LWNE52SP303NW26, LWNE52SP303SW01, LWNE52SP303VW26, LWNE52SP303WW01, LWNE52SP303WW37, LWNE52SP303ZW01, MWNE52SP303WW37, MWNE52SP543RW01, PWNE32PP303AG01, YWNE52SP303NW26 and YWNE52SP303WW01

Agitator, Fabric Softener Dispenser, Drive Bell, Hub and Lip Seal Kit and Washtub

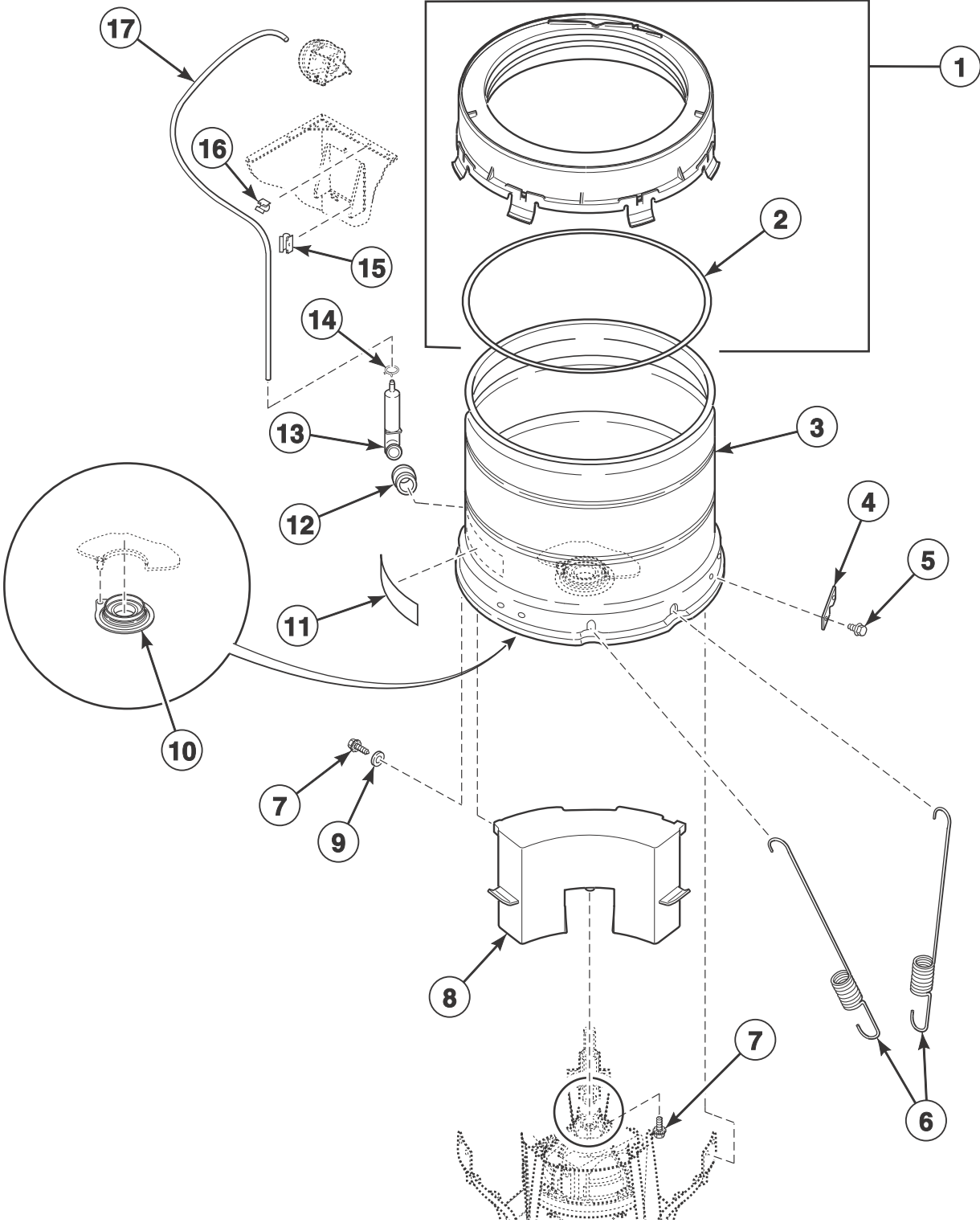


TLW1805P_203418

Agitator, Fabric Softener Dispenser, Drive Bell, Hub and Lip Seal Kit and Washtub

REF	PART NO.	DESCRIPTION	COMMENTS
1	27202	Screw	
2	28094	Washer	Rubber; Use with porcelain washtub; Models LWN432PP113FW28, LWNE52PP113ZW01, LWNE52PP303SW01, LWNE52WP113FW01, LWNE52WP303ZW01, LWNE52WP543RW01, LWNE52WP543ZW01, PWNE12PP115CG01, PWNE12PP115CW01, PWNE32PP113CG01, PWNE32PP303AG01, YWNE22PP115CW01 and YWNE52PP113CW01
3	39837	Balance Ring Assembly	
4	39240P	Tub Assembly	White porcelain; Models LWNE52WP113FW01, LWNE52WP303ZW01, LWNE52WP543RW01 and LWNE52WP543ZW01
	39250P	Tub Kit	Blue porcelain; Models LWN432PP113FW28, LWNE52PP113ZW01, LWNE52PP303SW01, PWNE12PP115CG01, PWNE12PP115CW01, PWNE32PP113CG01, PWNE32PP303AG01, YWNE22PP115CW01 and YWNE52PP113CW01
	719P3	Washtub Kit	Stainless steel; All other models
5	39122	Washtub Gasket	
6	766P3A	Hub and Lip Seal Kit	DO NOT use any sealant other than 200996P Sealant; Includes item 10 and installation tool
	200996P	Sealant	Use with hub and lip seal kit
7	29728	Spline Insert	
8	29220	Nut	
9	36425	Bell and Transmission Tube Seal	
10	39508P	Drive Bell and Seal Kit	Includes items 9, 11 and 12
11	39432	Screw	
12	36511	Bell Plug	
13	33174	Agitator	Curved vane; Models LWNE52SP303EW01, LWNE52SP303UW01, YWNE52SP303EW01 and YWNE52SP303UW01
	36507	Flex Vane Agitator	All other models
14	36542	Fabric Softener Dispenser Assembly	

Outer Tub, Cover, Bearing and Seal Housing, Pressure Hose and Counterweight

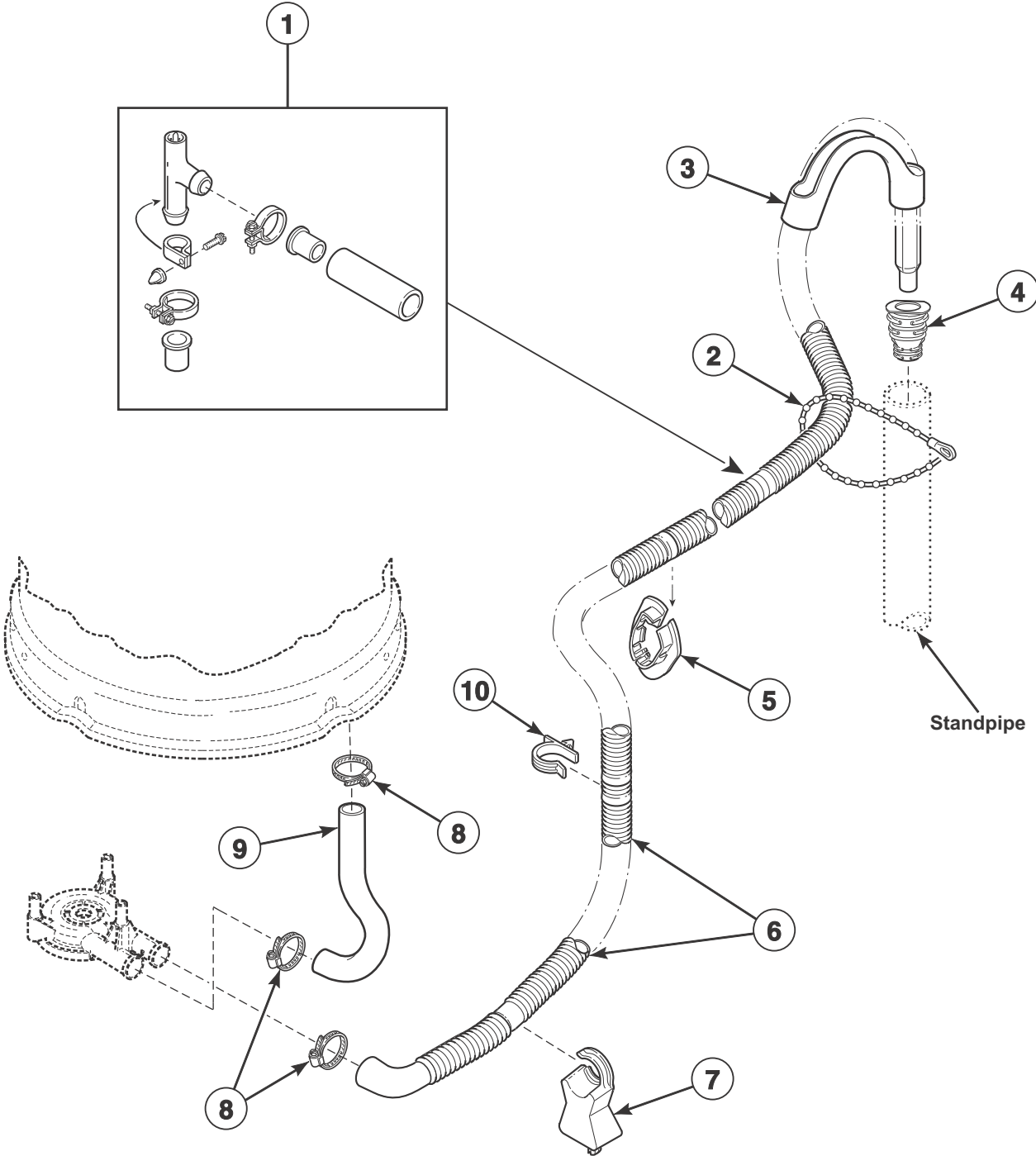


TLW1807P_203418

Outer Tub, Cover, Bearing and Seal Housing, Pressure Hose and Counterweight

REF	PART NO.	DESCRIPTION	COMMENTS
1	202888	Tub Cover Assembly	Includes item 2
2	38359	Tub Cover Gasket	
3	200511P	Outer Tub Assembly	
4	27926	Leg Plate	
5	35369	Screw	
6	201521	Leg Spring	Marked with green paint; Use to replace two rear springs (closest to counterweight); Models AWN312SP303LW22, AWNE92SP303NW29, AWNE92SP303NW36, AWNE92SP303XW01, AWNE92SP303XW26, AWNE92SP303XW34, FWNE52SP303NW26, FWNE52SP303WW01, FWNE52SP303ZW01, FWNE52SP303ZW14, LWNE52PP303SW01, LWNE52SP103ZW01, LWNE52SP303AW01, LWNE52SP303BW01, LWNE52SP303EW01, LWNE52SP303LW01, LWNE52SP303NW26, LWNE52SP303NW35, LWNE52SP303SW01, LWNE52SP303UW01, LWNE52SP303VW26, LWNE52SP303WW01, LWNE52SP303WW37, LWNE52SP303ZW01, LWNE52SP543RW01, LWNE52SP543ZW01, LWNE52WP303ZW01, LWNE52WP543RW01, LWNE52WP543ZW01, MWNE52SP303WW37, MWNE52SP543RW01, PWNE32PP303AG01, YWNE52SP303EW01, YWNE52SP303NW26, YWNE52SP303UW01, YWNE52SP303WW01, YWNE52SP543RW01 and YWNE52SP543ZW01
	37575	Leg Spring	Marked with blue paint
7	39566	Screw	
8	38769	Counterweight Assembly	
9	39249	Washer	
10	766P3A	Hub and Lip Seal Kit	Do NOT use any sealant other than 200996P Sealant
	200996P	Sealant	Use with hub and lip seal kit
11	F8211301	Pinched Fingers Label	
12	29175	Grommet	
13	30907	Pressure Bulb	
14	39282	Hose Clamp	
15	36985	Hose Clip	
16	21036	Cable Clip	
17	203478	Tubing	Models AWN432SP113CW04, DWN432SP113CW04, LWN432SP113CW04, YWN432SP113CW04 and ZWN432SP113CW04
	202700	Tubing	All other models

Drain Hose and Siphon Break Kit

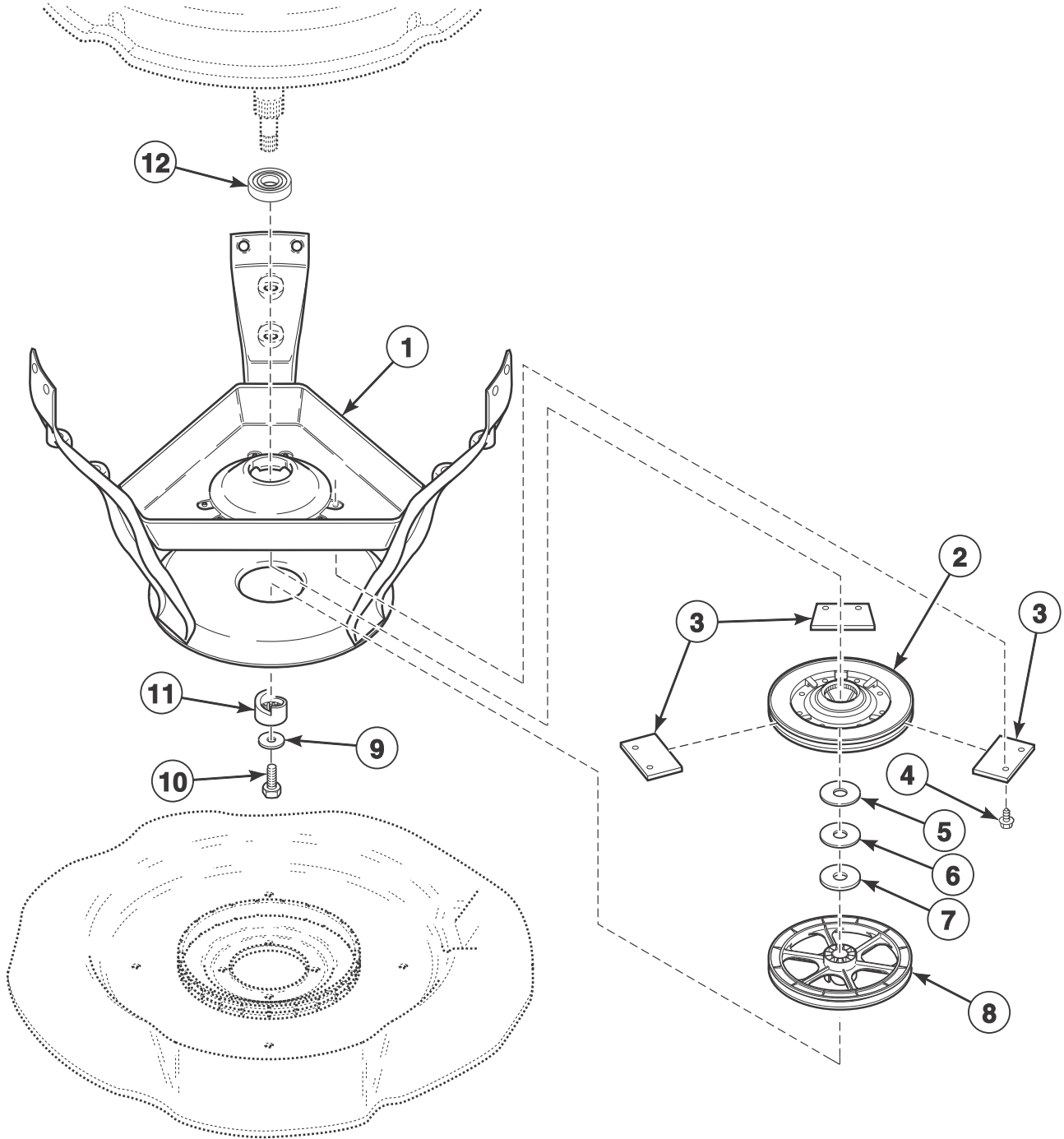


W329P_203418

Drain Hose and Siphon Break Kit

REF	PART NO.	DESCRIPTION	COMMENTS
	451P3	Drain Extension Kit	
1	562P3	Siphon Break Kit	Siphon break kit MUST be installed in drain hose if drain receptacle is lower than cabinet top of washer
2	33489	Standpipe Strap	
3	33615	Drain Hose Sleeve	
4	36878	Standpipe Adapter	Models AWN432SP113CW04, AWN432SP113FW28, AWNE82SP113CW01, DWN432SP113CW01, DWN432SP113CW04, LWN432PP113FW28, LWN432SP113CW04, LWN432SP113FW28, LWN432SP115CW01, LWNE22SP115CW01, LWNE52SP113CW01, PWNE12PP115CG01, PWNE12PP115CW01, PWNE32PP113CG01, YWN432SP113CW04, YWNE22PP115CW01, YWNE52PP113CW01, ZWN432SP113CW01, ZWN432SP113CW04, ZWN432SP113FW28 and ZWNE82SP113CW01
5	32219	Strain Relief	
6	39893	Drain Hose	Models AWN432SP113CW04, AWN432SP113FW28, AWNE82SP113CW01, AWNE82SP113FW01, AWNE92SP113FW01, AWNE92SP123DW01, AWNE92SP543DW01, DWN432SP113CW01, DWN432SP113CW04, LWN432PP113FW28, LWN432SP113CW04, LWN432SP113FW28, LWN432SP115CW01, LWNE22SP115CW01, LWNE52PP113ZW01, LWNE52SP113CW01, LWNE52SP113FQ01, LWNE52SP113FW01, LWNE52SP113ZW01, LWNE52SP543RW01, LWNE52SP543ZW01, LWNE52WP113FW01, LWNE52WP543RW01, LWNE52WP543ZW01, MWNE52SP543RW01, PWNE12PP115CG01, PWNE12PP115CW01, PWNE32PP113CG01, YWN432SP113CW04, YWNE22PP115CW01, YWNE52PP113CW01, YWNE52SP543RW01, YWNE52SP543ZW01, ZWN432SP113CW01, ZWN432SP113CW04, ZWN432SP113FW28, ZWNE82SP113CW01, ZWNE82SP113FW01 and ZWNE92SP113FW01
	39894	Drain Hose	All other models
7	38732	Hose Stand	
8	F200204	Hose Clamp	
9	38351	Tub-to-Pump Hose	
10	36014	Retainer Clip	

Weldment and Bearing Assembly, Brake and Pulley



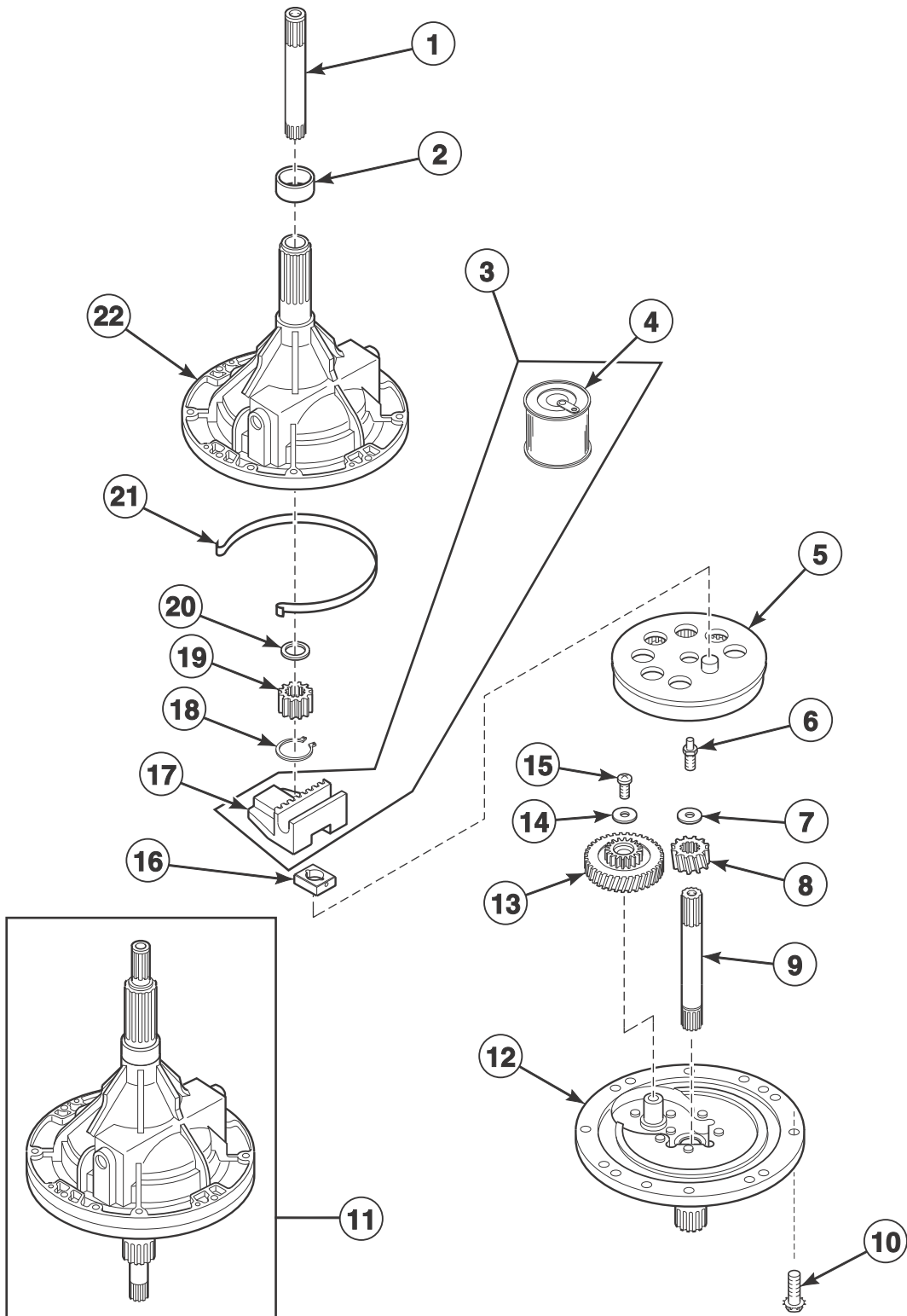
TLW1841P_203418

Weldment and Bearing Assembly, Brake and Pulley

REF	PART NO.	DESCRIPTION	COMMENTS
1	39253	Weldment and Bearing Assembly	
2	38505P	Brake Kit	
3	735P3	Brake Pad Kit	Includes 3 pads and 6 of item 4
	26594P	Silicone Grease	Apply small amount to each new brake pad
4	39739	Screw	
5	35535	Washer	Thin
6	27015	Washer	Thick
7	35535	Washer	For machines experiencing squeaking during agitation; Through Serial Nos. beginning 1612
	203950	Washer	Starting Serial Nos. beginning 1701
	26594P	Silicone Grease	Apply small amount to washer
8	202795	Pulley	
9	26509	Washer	
10	27220	Screw	
11	38008	Helix	
12	28944RP	Lower Bearing	

Transmission Assembly (Drawing 1 of 2)

All Models Except AWN432SP113CW04, AWNE82SP113CW01, ZWN432SP113CW01, ZWN432SP113CW04 and ZWNE82SP113CW01



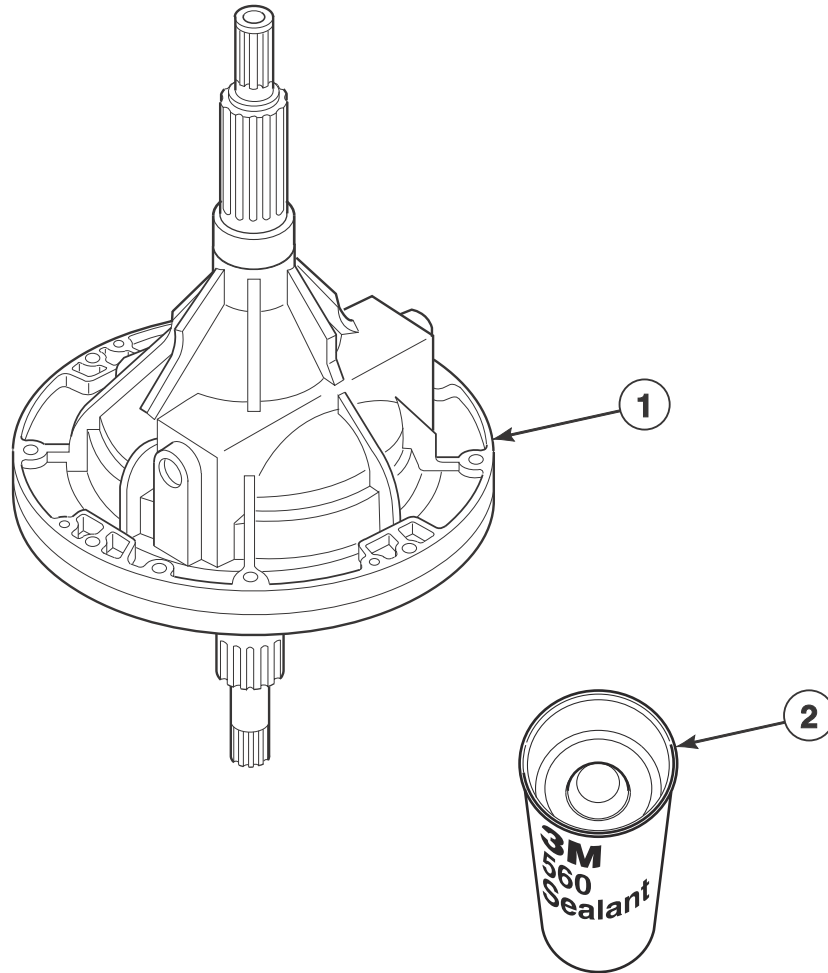
TLW1720P_203418

Transmission Assembly (Drawing 1 of 2)

REF	PART NO.	DESCRIPTION	COMMENTS
	27604P	Anti-Seize Compound	Apply to smooth area of both the upper and lower transmission tube that will be contacting the upper and lower bearings and apply to spline area of upper and lower transmission tube that will be contacting the washtub
	37577P	Transmission Sealant	Use between transmission case and cover
1	36570P	Output Shaft	
2	201212	Hub Spacer	
3	RB150004	Transmission Rebuild Kit	Includes items 4, 17 and 37577P Transmission Sealant
4	27243P	Transmission Oil	1 fill
5	26577	Gear and Stud Assembly	
6	201773	Screw	
7	26509	Washer	
8	37405	Drive Pinion	
9	38268P	Input Shaft	
10	32814	Screw	
11	38165P	Transmission Assembly	
12	37471	Transmission Cover Assembly	
13	37404P	Reduction Gear	
14	29260	Washer	
15	29273	Screw	
16	26493	Slide	
17	201664	Rack	
18	27197	Retaining Ring	
19	27003	Agitator Pinion	
20	35092	Washer	
21	38864	Gear Sleeve	
22	33223P	Transmission Case Assembly	

Transmission Assembly (Drawing 2 of 2)

Models AWN432SP113CW04, AWNE82SP113CW01, ZWN432SP113CW01,
ZWN432SP113CW04 and ZWNE82SP113CW01

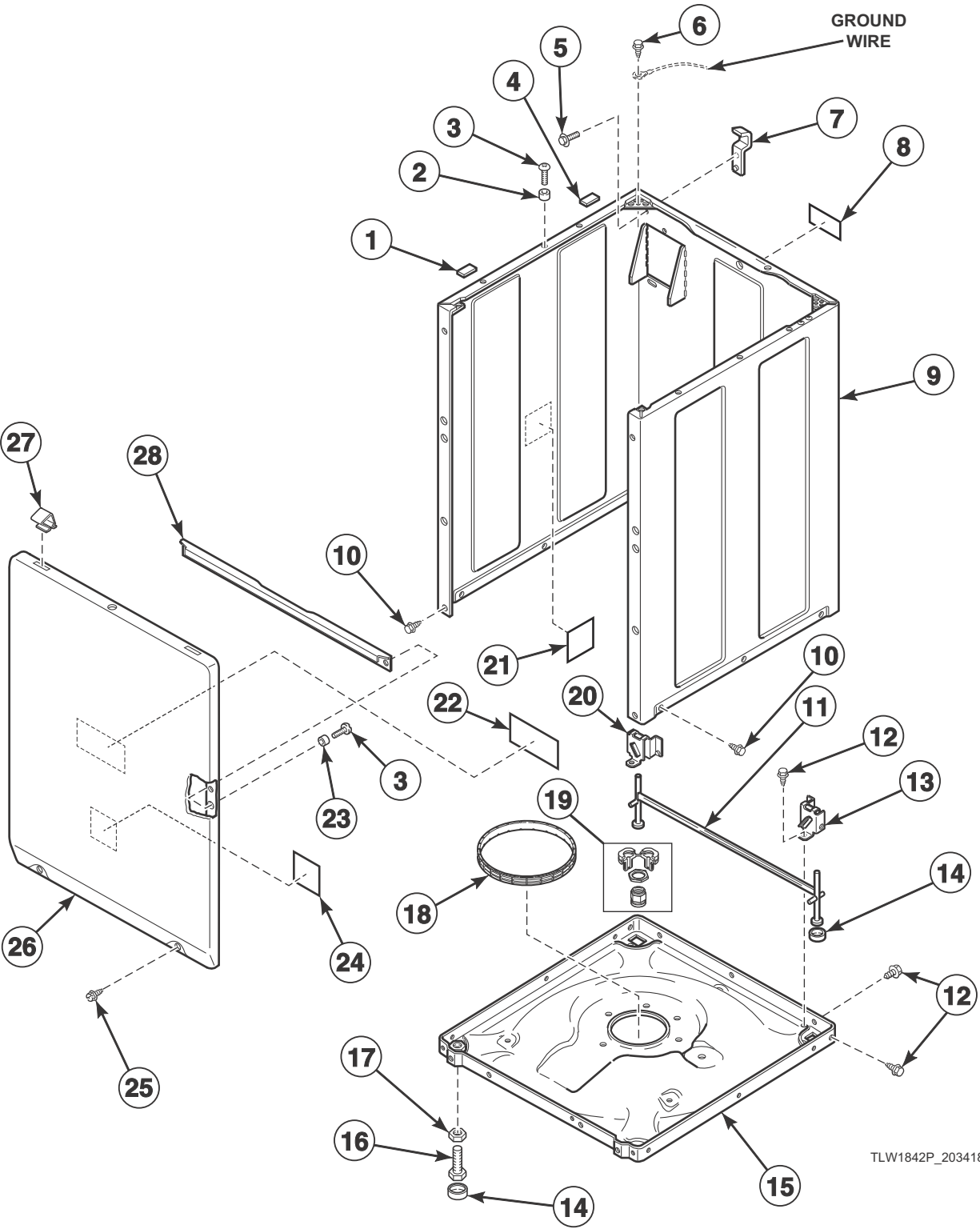


TLW1838P_203418

Transmission Assembly (Drawing 2 of 2)

REF	PART NO.	DESCRIPTION	COMMENTS
	27604P	Anti-Seize Compound	Apply to smooth area of both the upper and lower transmission tube that will be contacting the upper and lower bearings and apply to spline area of upper and lower transmission tube that will be contacting the washtub
1	203768	Transmission Assembly	Includes item 2 and Hub and Lip Seal Kit; Lip seal units only
2	200996P	Sealant	

Front Panel, Base Assembly and Cabinet Kit

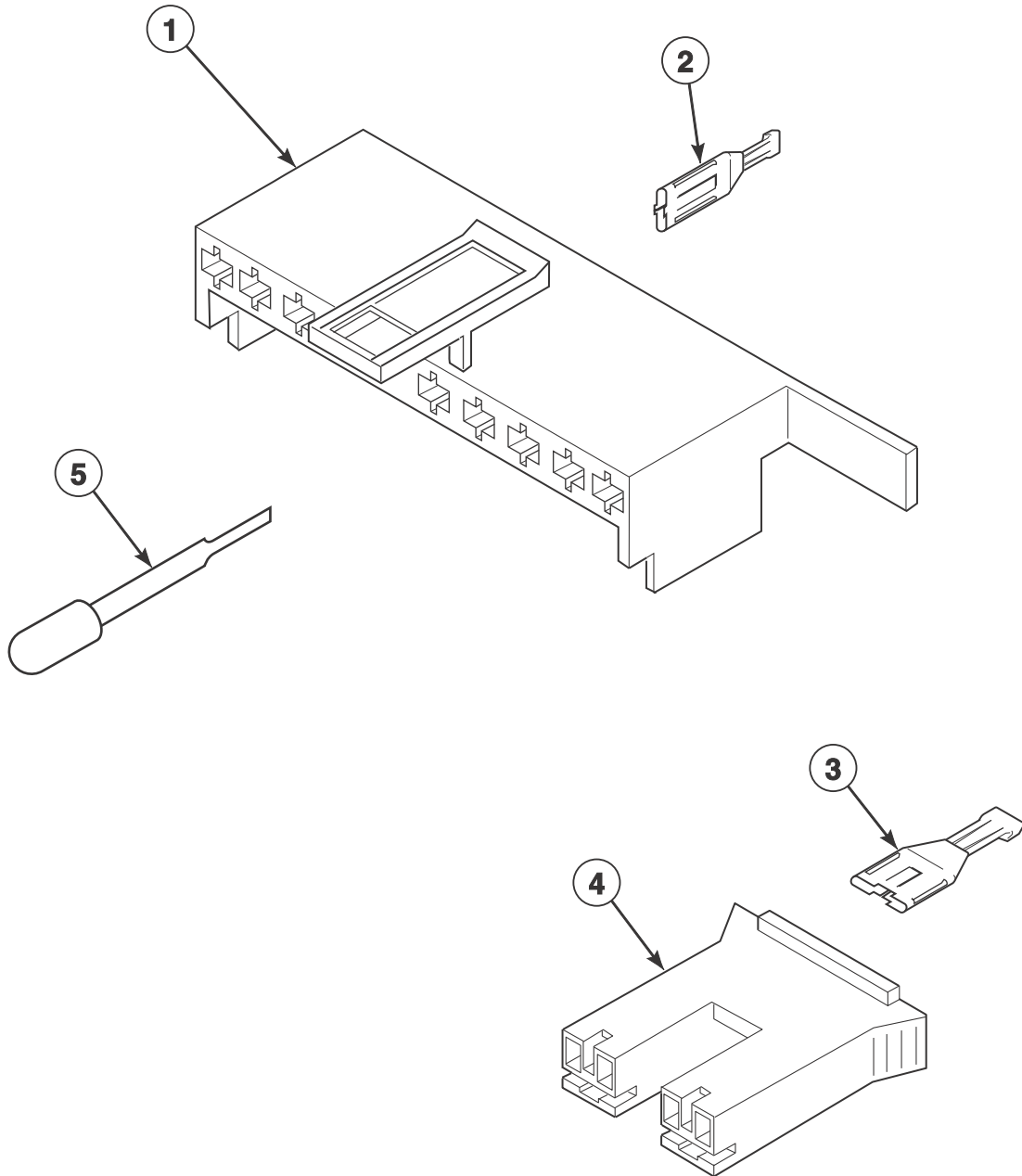


TLW1842P_203418

Front Panel, Base Assembly and Cabinet Kit

REF	PART NO.	DESCRIPTION	COMMENTS
	122P4P	Porcelain Touch-Up Paint	White
	370P4P	Porcelain Touch-Up Paint	Bisque
	806436P	Paint	Dark gray
1	56128	Bumper Pad	
2	56079	Panel Locator	
3	39733	Screw	
4	36226	Bumper Pad	
5	51780	Screw	
6	52909	Screw	
7	27103	Hold-Down Lug Hinge	
8	803260	Warning Label	
9	38612WP	Service Cabinet Kit	White
	38612QP	Service Cabinet Kit	Bisque
	38612DG	Service Cabinet Kit	Dark gray
10	27196	Screw	
11	34443	Leg and Stabilizer Assembly	
12	35148	Screw	
13	36036	Bracket	Right
14	34318	Rubber Foot	
15	39788	Base Assembly	
16	34319	Leveling Leg	
17	21899	Nut	
18	37937	Friction Ring	
19	566P3	Adjustable Leg Extension Kit	
20	36037	Bracket	Left
21	39480	Foam Pad	
22	36204	Front Panel Pad	
23	28102	Panel Locator	
24	203484	Foam Pad	
25	38272	Screw	
26	38335WP	Front Panel	White
	38335QP	Front Panel	Bisque
	38335DG	Front Panel	Dark gray
27	35865	Hold-Down Clip	
28	35097	Front Panel Brace	

Mixing Valve and Motor Connection Blocks, Terminals and Extractor Tool

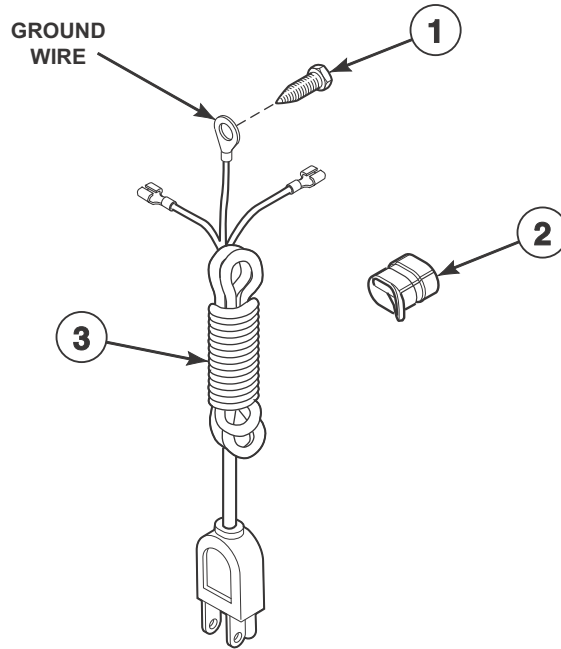


W134PZ3A_203418

Mixing Valve and Motor Connection Blocks, Terminals and Extractor Tool

REF	PART NO.	DESCRIPTION	COMMENTS
1	34677	10 Circuit Plug	Motor
2	00188	Female Terminal	For 1 or 2 wire application
3	00121	Female Spade Terminal	1/4 inch
4	34675	Mixing Valve Plug	Natural
	34676	Mixing Valve Plug	Red
5	283P4	Terminal Extractor Tool	

Power Cord

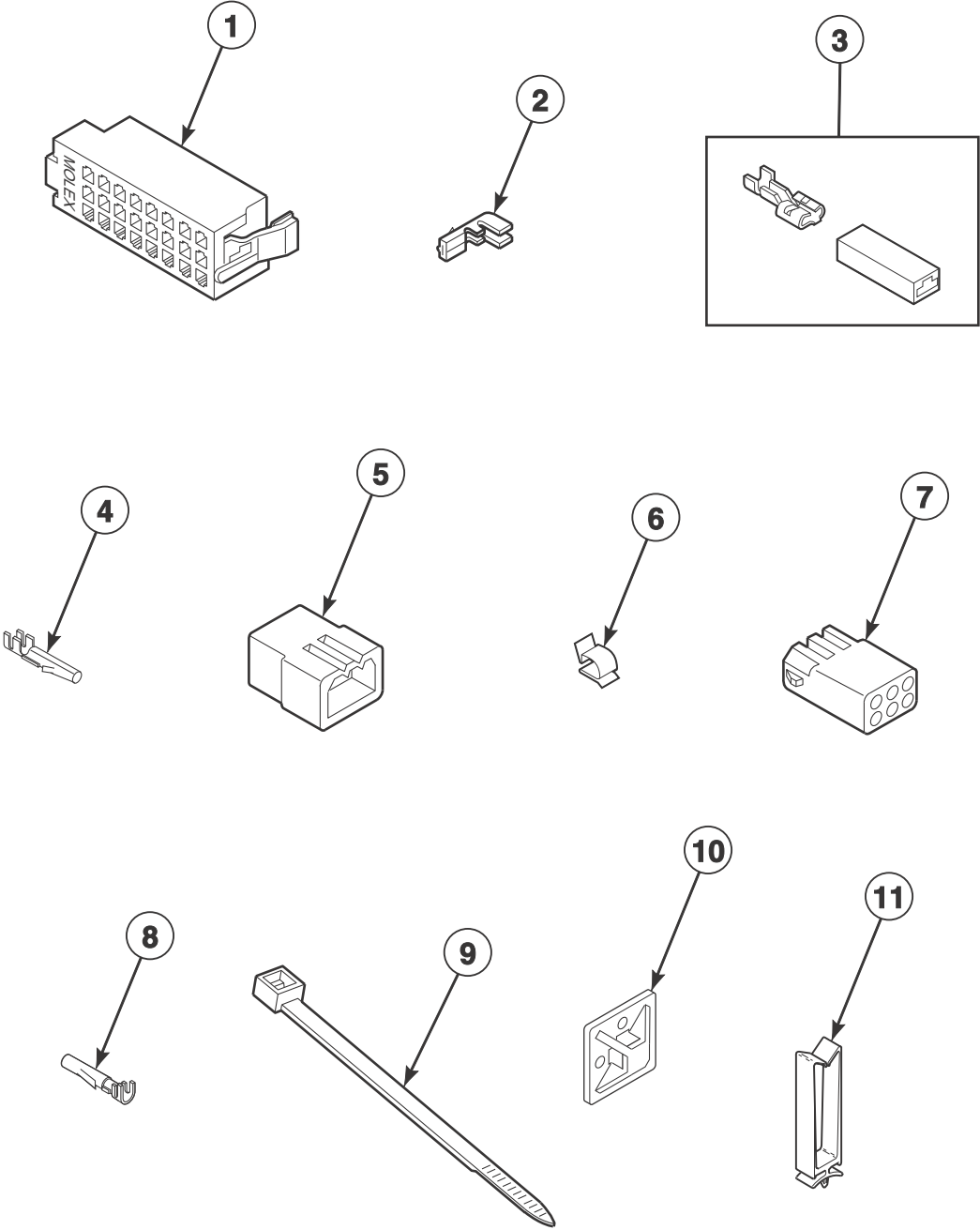


TLW1526P_203418

Power Cord

REF	PART NO.	DESCRIPTION	COMMENTS
	39922	Cable Connection Box	Model AWNE92SP303NW36; Mounts to hood back panel
1	52909	Screw	
2	38384	Strain Relief	
3	203119	Power Cord Assembly	Models AWNE92SP303XW01, AWNE92SP303XW26, AWNE92SP303XW34, FWNE52SP303WW01, LWNE52SP303EW01, LWNE52SP303WW01, LWNE52SP303WW37, LWNE52SP543RW01, LWNE52WP543RW01, MWNE52SP303WW37, MWNE52SP543RW01, YWNE52SP303EW01, YWNE52SP303WW01 and YWNE52SP543RW01
	203122	Lead-In Cord	Models AWNE82SP113FW01, AWNE92SP113FW01, LWNE52SP113FQ01, LWNE52SP113FW01, LWNE52WP113FW01, ZWNE82SP113FW01 and ZWNE92SP113FW01
	203121	Lead-In Cord	Models FWNE52SP303NW26, LWNE52SP303NW26, LWNE52SP303UW01, LWNE52SP303VW26, YWNE52SP303NW26 and YWNE52SP303UW01
	203107	Lead-In Cord	Model LWNE52SP303BW01
	203208	Lead-In Cord	Models FWNE52SP303ZW01, FWNE52SP303ZW14, LWNE52PP113ZW01, LWNE52SP103ZW01, LWNE52SP113ZW01, LWNE52SP303ZW01, LWNE52SP543ZW01, LWNE52WP303ZW01, LWNE52WP543ZW01 and YWNE52SP543ZW01
	203108	Lead-In Cord	Models LWNE52PP303SW01 and LWNE52SP303SW01
	203120	Lead-In Cord	Models LWNE52SP303AW01 and PWNE32PP303AG01
	202777	Lead-In Cord	Models AWN432SP113CW04, AWNE82SP113CW01, DWN432SP113CW01, DWN432SP113CW04, LWN432SP113CW04, LWN432SP115CW01, LWNE22SP115CW01, LWNE52SP103ZW01, LWNE52SP113CW01, PWNE12PP115CG01, PWNE12PP115CW01, PWNE32PP113CG01, YWN432SP113CW04, YWNE22PP115CW01, YWNE52PP113CW01, ZWN432SP113CW01, ZWN432SP113CW04 and ZWNE82SP113CW01
	203106	Lead-In Cord Assembly	Models AWNE92SP123DW01 and AWNE92SP543DW01
	203454	Lead-In Cord	Models AWN432SP113FW28, LWN432PP113FW28, LWN432SP113FW28 and ZWN432SP113FW28
	203841	Lead-In Cord	Model LWNE52SP303NW35
	203830	Lead-In Cord	Model AWN312SP303LW22
	39929	Power Cord Assembly	Model AWNE92SP303NW36
	203266	Lead-In Cord	Model AWNE92SP303NW29
	203315	Lead-In Cord	Model LWNE52SP303LW01

Terminals and Clips

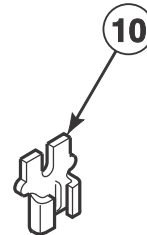
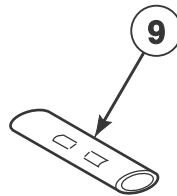
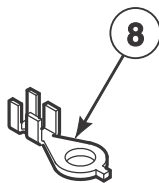
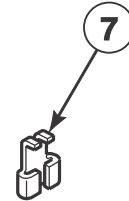
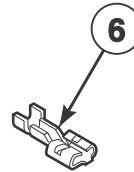
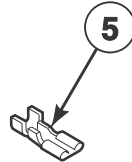
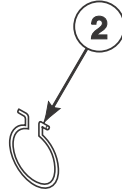
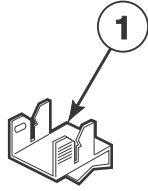


TLW1792P_203418

Terminals and Clips

REF	PART NO.	DESCRIPTION	COMMENTS
1	32746	24 Position Housing	Right; Black
	34123	24 Position Housing	Left; White
2	00188	Female Terminal	Used for 1 or 2 wire application
	00568SG	Terminal	
3	00359	Insulated Female Spade Terminal	
4	00116	Male Pin Terminal	
5	23033	9 Circuit Plug	
	23041	6 Circuit Plug	
	26302	1 Circuit Plug	
6	21036	Cable Clip	
7	26163	9 Circuit Receptacle	
	26301	1 Circuit Receptacle	
	26708	6 Circuit Receptacle	
8	00117	Female Pin Terminal	
	00574SG	Female Pin Terminal	
9	55881	Harness Strap	
10	F140602	Tie Wrap Mounting Clamp	
11	70366201	Wire Clip	0.93 inch wide

Terminals

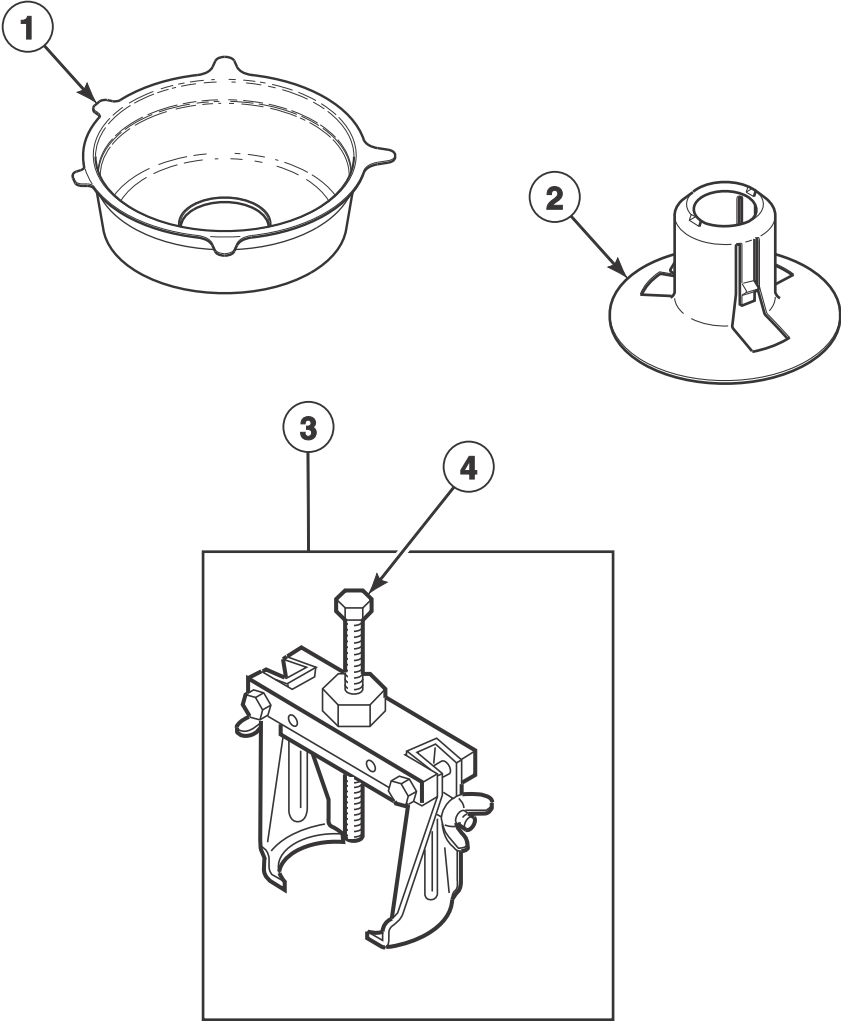


TLW1796P_203418

Terminals

REF	PART NO.	DESCRIPTION	COMMENTS
1	00161	Grounding Clip	
	00569SG	Terminal Grounding Clip	
2	51291	Wire Clip	
3	687500	Wire Clip	
4	70210	Insulator	
5	00112	Female Spade Terminal	Small spade
6	00223	Female Spade Terminal	Large spade
	00577	Terminal Tab	
7	00120	Female Flag Terminal	
8	00110	Ring Terminal	Small shank
9	21091	Connector	(2) 1/4 inch male spades
10	F140562	Connector	

Shipping Materials and Special Tools

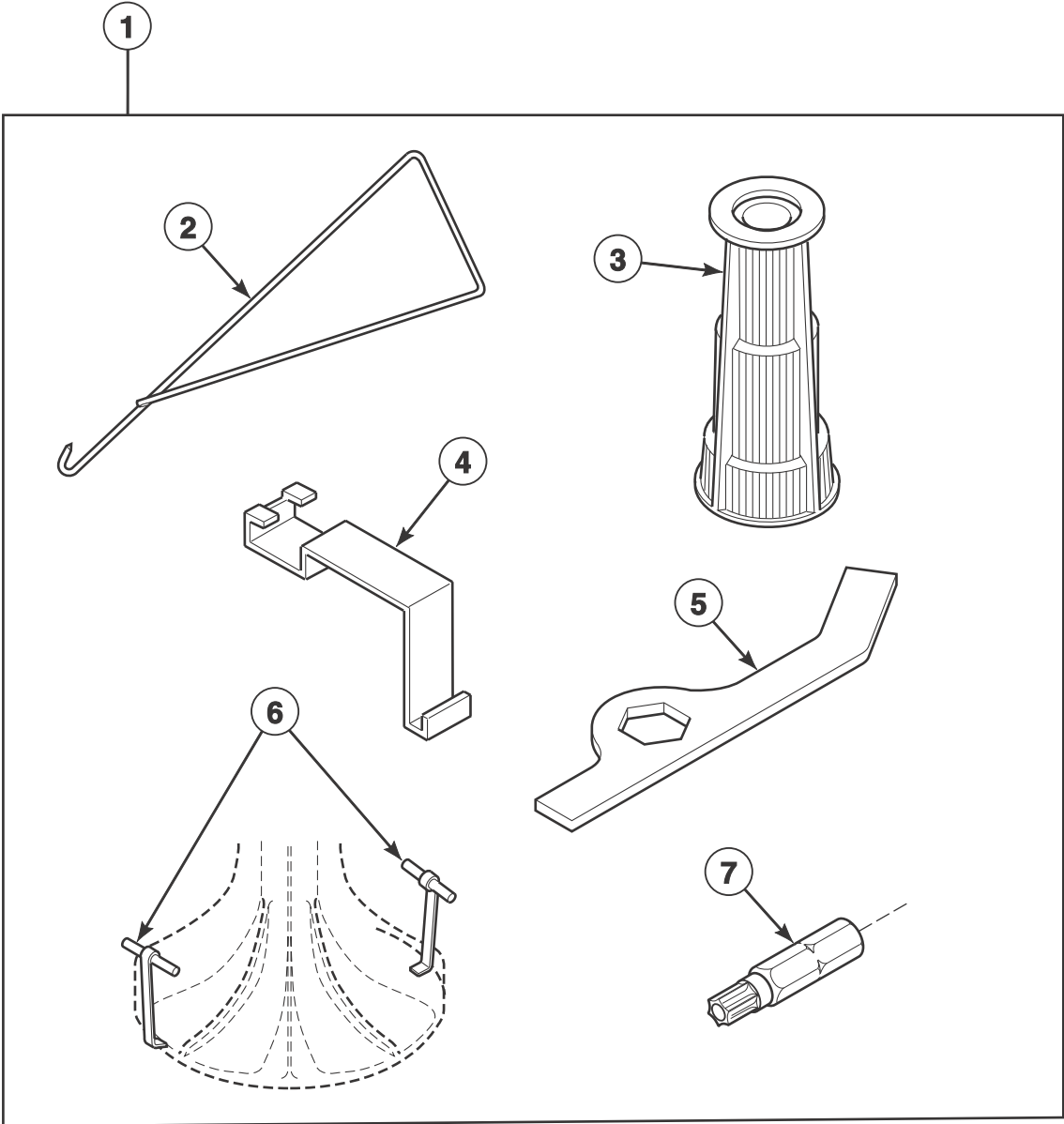


TLW1678P_203418

Shipping Materials and Special Tools

REF	PART NO.	DESCRIPTION	COMMENTS
1	200553	Shipping Brace	Install whenever moving washer; Remove before use
2	38149	Shipping Plug	Install before moving washer to prevent tub from damaging cabinet
3	294P4	Agitator Drive Bell Puller	For removal and installation of drive bell to transmission shaft
4	294P4B	Bolt	Use to update item 3

Special Tools



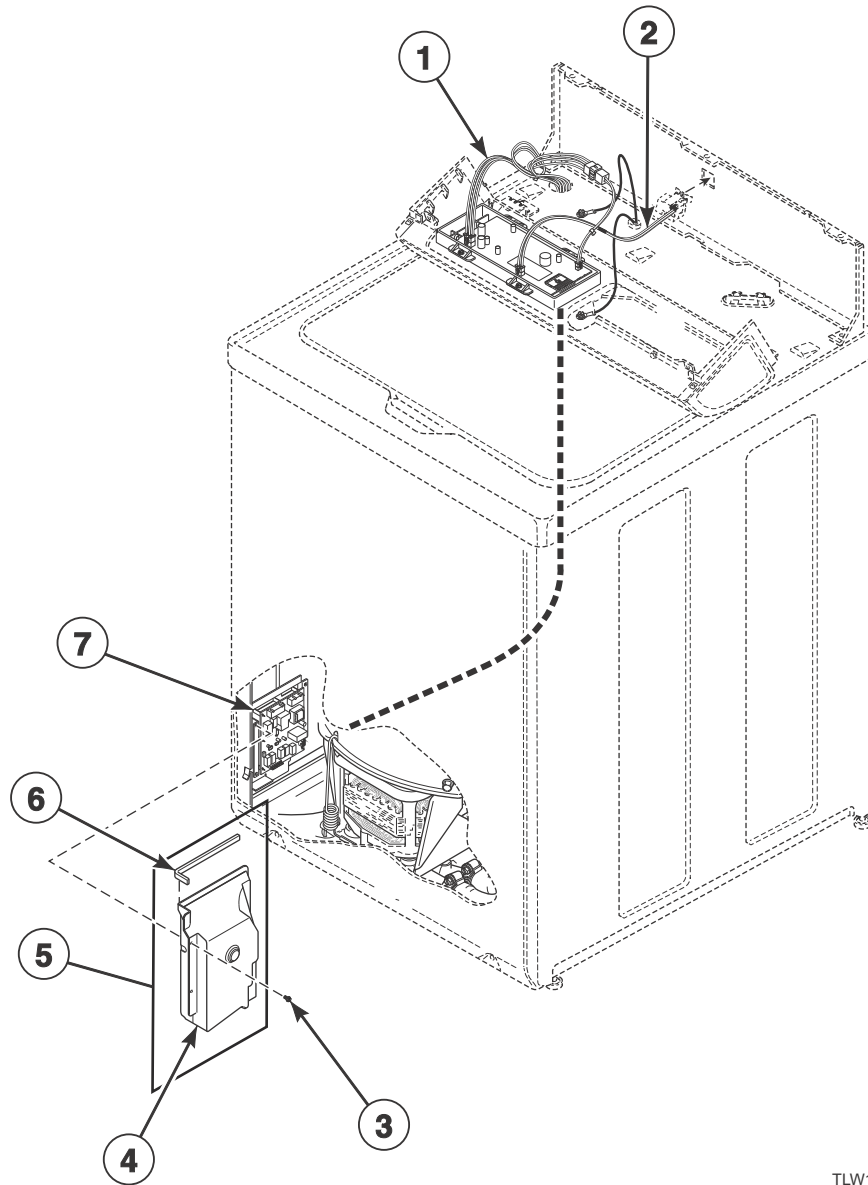
TLW1794P_203418

Special Tools

REF	PART NO.	DESCRIPTION	COMMENTS
1	725P3	Tool Kit	Includes items 2-7
2	321P4	Spring Hook Tool	For removal of module springs from outer tub
3	293P4	Drive Bell Seal Tool	For installation of 36425 Bell and Transmission Tube Seal
4	273P4	Tub Cover Removal Tool	Use to install 38359 Tub Cover Gasket in outer tub cover
5	306P4	Hex Wrench Tool	For removal of locknut from washtub hub
6	254P4P	Agitator Hook	Set of 2; Use to remove agitator from drive bell
7	282P4	Torx Bit	T25; For removal and installation of pump attaching screws

Output Board, Wire Harnesses and Wires

All Models Except AWN312SP303LW22, AWN432SP113CW04, AWN432SP113FW28, DWN432SP113CW01, DWN432SP113CW04, LWN432PP113FW28, LWN432SP113CW04, LWN432SP113FW28, YWN432SP113CW04, ZWN432SP113CW01, ZWN432SP113CW04 and ZWN432SP113FW28



TLW1850P_203418

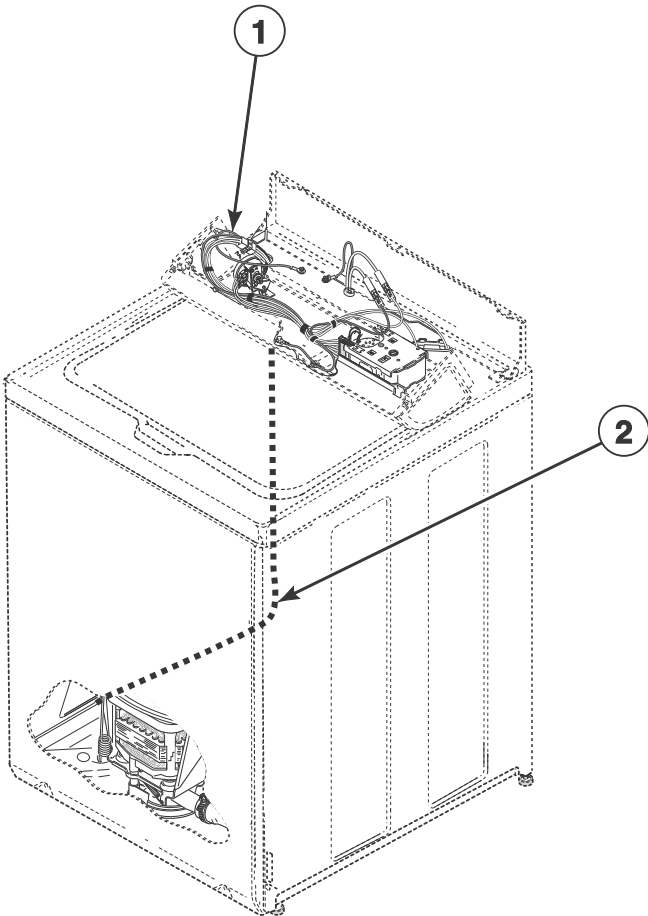
Output Board, Wire Harnesses and Wires

REF	PART NO.	DESCRIPTION	COMMENTS
	45001	18 Gauge Wire	Black; Order wire by foot and terminals as required
	45380	12 Gauge Wire	Orange; Order wire by foot and terminals as required
1	202684	Control Harness	Models AWNE82SP113CW01, LWNE22SP115CW01, LWNE52PP113ZW01, LWNE52SP103ZW01, LWNE52SP113CW01, LWNE52SP113ZW01, LWNE52SP303NW35, PWNE12PP115CG01, PWNE12PP115CW01, PWNE32PP113CG01, YWNE22PP115CW01, YWNE52PP113CW01 and ZWNE82SP113CW01
	202691	Control Harness	Models AWNE92SP303NW29, AWNE92SP303NW36, AWNE92SP303XW01, AWNE92SP303XW26, AWNE92SP303XW34, FWNE52SP303NW26, FWNE52SP303WW01, FWNE52SP303ZW01, FWNE52SP303ZW14, LWNE52PP303SW01, LWNE52SP303AW01, LWNE52SP303BW01, LWNE52SP303EW01, LWNE52SP303LW01, LWNE52SP303NW26, LWNE52SP303SW01, LWNE52SP303VW26, LWNE52SP303WW01, LWNE52SP303WW37, LWNE52SP303ZW01, LWNE52WP303ZW01, MWNE52SP303WW37, PWNE32PP303AG01, YWNE52SP303NW26 and YWNE52SP303WW01
	203079	Wire Harness Assembly	Models AWNE82SP113FW01, AWNE92SP113FW01, AWNE92SP123DW01, AWNE92SP543DW01, LWNE52SP113FQ01, LWNE52SP113FW01, LWNE52SP543RW01, LWNE52SP543ZW01, LWNE52WP113FW01, LWNE52WP543RW01, LWNE52WP543ZW01, MWNE52SP543RW01, YWNE52SP543RW01, YWNE52SP543ZW01, ZWNE82SP113FW01 and ZWNE92SP113FW01
2	804432	Pressure Sensor Harness	
3	804667	Screw	
4	202939	Output Control Shield	
5	202965	Shield Assembly	Includes items 5 and 7
6	202964	Output Board Cover Gasket	
7	202508P	Output Board Control Assembly	

NOTE: Individual wires are not available separately. Order complete harness, or order wire by the foot. When applying terminals to wires, it is recommended that the terminals be soldered to the wires.

Wire Harnesses and Wires

Models AWN312SP303LW22, AWN432SP113CW04, AWN432SP113FW28, DWN432SP113CW01, DWN432SP113CW04, LWN432PP113FW28, LWN432SP113CW04, LWN432SP113FW28, LWN432SP115CW01, YWN432SP113CW04, ZWN432SP113CW01, ZWN432SP113CW04 and ZWN432SP113FW28



TLW1533P_203418

Wire Harnesses and Wires

REF	PART NO.	DESCRIPTION	COMMENTS
	45001	18 Gauge Wire	Black; Order wire by foot and terminals as required
	45380	12 Gauge Wire	Orange; Order wire by foot and terminals as required
1	203428	Hood Timer Harness	Models AWN432SP113CW04, DWN432SP113CW04, LWN432SP113CW04, YWN432SP113CW04 and ZWN432SP113CW04
	38651	Hood Wire Harness Assembly	Model AWN312SP303LW22
	204154	Hood Timer Harness	Model LWN432SP115CW01
	203035	Hood Timer Harness	Models AWN432SP113FW28, DWN432SP113CW01, LWN432PP113FW28, LWN432SP113FW28, ZWN432SP113CW01 and ZWN432SP113FW28
2	201466	Base Wire Harness Assembly	Model AWN312SP303LW22
	38661P	Wire Harness Assembly	All other models

NOTE: Individual wires are not available separately. Order complete harness, or order wire by the foot. When applying terminals to wires, it is recommended that the terminals be soldered to the wires.

Parts Index

A

Adjustable Leg Extension Kit 566P3	43
Agitate and Spin Belt 200923	25
38174	27
Agitator 33174	31
Agitator Drive Bell Puller 294P4	53
Agitator Hook 254P4P	55
Agitator Pinion 27003	39
Anti-Seize Compound 27604P	39, 41

B

Balance Ring Assembly 39837	31
Barbed Tee 203464	15
Base Assembly 39788	43
Base Wire Harness Assembly 201466	59
Bell and Transmission Tube Seal 36425	31
Bell Plug 36511	31
Belt and Pump Kit RB150003	27
Bleach Dispenser 38382	13, 17
Bolt 294P4B	53
32184	13
Bracket 36036	43
36037	43
Brake Kit 38505P	37
Brake Pad Kit 735P3	37
Bumper 21685	13, 15
Bumper Pad 36226	43
56128	43
Bushing 33446	13, 15

C

Cable Clip 21036	33, 49
Cable Connection Box 39922	47
Cable Tie 804724	19
Capacitor 203140	29
203141	29
37377	29
Capacitor and Clamp Kit 39259P	29
Capacitor Clamp 37535	29
Connector F140562	51
21091	51
Control Assembly 202769P	9
202770P	9
202903P	9
202904P	9
202905P	9
202906P	9
202907P	9
203087P	9
203146P	9
203581	9
203702P	9
204025	9
204288	9
204289	9
204293	9
Control Harness 202684	57
202691	57
Control Knob Assembly 803119P	5
Control Overlay 202750	9
202751	9
Control Panel 203671W	5
Control Support Panel 202942	7
38171	5
38565	5
Counterweight Assembly 38769	33
Cover Plate 37828P	13

D

Domed Label 204166	7
Door Lock Spacer 202934	13

N/A items do not appear in index.

Drain Extension Kit 451P3	35
Drain Hose 39893	35
39894	35
Drain Hose Sleeve 33615	35
Drive Bell and Seal Kit 39508P	31
Drive Bell Seal Tool 293P4	55
Drive Pinion 37405	39

E

Electrical Shock Label F8211201	13, 17
End Panel D504006P	7
D504007P	7
D504008WP	5, 7
D504009WP	5, 7

F

Fabric Softener Dispenser Assembly 36542	31
Female Flag Terminal 00120	51
Female Pin Terminal 00117	49
00574SG	49
Female Spade Terminal 00112	51
00121	45
00223	51
Female Terminal 00188	45, 49
Fill Hose 203718	23
203719	23
203720	23
203750	23
Filter Harness 202756	19
Flex Vane Agitator 36507	31
Foam Pad 203484	43
39480	43
Friction Ring 37937	43
Front Panel 38335DG	43
38335QP	43
38335WP	43
Front Panel Brace 35097	43
Front Panel Pad 36204	43

G

Gear and Stud Assembly 26577	39
Gear Sleeve 38864	39
Graphic Panel 202797P	7
203151	7
203165	7
203166	7
203167	7
203523	7
203606W	5
203672W	5
203673W	5
203678W	5
203713W	5
203822W	5
203826W	5
Grommet 29175	33
80262	13, 17, 19
Grounding Clip 00161	5, 51

H

Harness Strap 55881	49
Helix 38008	37
Hex Wrench Tool 306P4	55
Hinge Stop Clip 36519	17
Hold-Down Clip 35358	5, 7, 13, 17
35865	43
Hold-Down Lug Hinge 27103	43
Hood Back Panel 202549	15
203110	13, 15
204259	15
37782	15
39921	15
Hood Timer Harness 203035	59
203428	59
204154	59
Hood Wire Harness Assembly 38651	59
Hose Clamp F200204	35
36801	21
39282	33
800803	21
Hose Clip 36985	33
Hose Stand 38732	35

N/A items do not appear in index.

Housing, 24 Position	
32746	49
34123	49
Hub and Lip Seal Kit	
766P3A	31, 33
Hub Spacer	
201212	39

I

Idler Lever	
38011	25, 27
Idler Lever and Belt Kit	
202972	25
Idler Lever Assembly	
202378	25, 27
Idler Lever Kit	
959P3	27
Idler Lever Spring	
201189	25
202032	27
Idler Pulley	
38225P	25, 27
Idler Shaft	
210186	25, 27
Inlet Cover	
202894	17
Inlet Deflector	
202900	17
Input Shaft	
38268P	39
Insulated Female Spade Terminal	
00359	49
Insulator	
70210	51
Isolator Post	
38325	29

J

Junction Box	
203068	19

K

Knob Assembly	
203323	5
36701W	5
803118P	5

L

Lead-In Cord	
202777	47
203107	47
203108	47
203120	47
203121	47
203122	47
203208	47

203266	47
203315	47
203454	47
203830	47
203841	47
Lead-In Cord Assembly	
203106	47
Leg and Stabilizer Assembly	
34443	43
Leg Plate	
27926	33
Leg Spring	
201521	33
37575	33
Leveling Leg	
34319	43
Lid	
202896W	13
37395DG	15
37395QP	15
37395WP	15
Lid Hinge	
36437	13, 15
36513	13, 15
Lid Lock Catch Assembly	
202930	13
Lid Lock Kit	
202933	13
Lid Lock Wire Harness Assembly	
203389	13
Lid Switch Assembly	
37631	11
Lid Switch Drip Shield	
203136	11
Lid Warning Label	
203045	15
Line Filter	
804864	19
Lower Bearing	
28944RP	37

M

Male Pin Terminal	
00116	49
Male Tab Terminal	
00177	29
Mixing Valve	
202395P	21
202396P	21
Mixing Valve Mounting Bracket	
39407	21
Mixing Valve Plug	
34675	45
34676	45
Mixing Valve Screen	
24122	21
Mixing Valve Shield	
202899	21
Motor Assembly	
202544P	29
202960	29
202961	29

N/A items do not appear in index.

202971	29
Motor Drip Shield	
203053	29
Motor Kit	
201433P	29
38034P	29
Motor Mount	
38395	29
38396	29
Motor Mount Bracket	
200941	29
Motor Shield	
34754	29

N

Nut	
M400981	11
21899	43
22001	13
28803	25, 27
29220	31
29787	19
35423	29
52566	25, 27

O

Outer Tub Assembly	
200511P	33
Output Board Control Assembly	
202508P	57
Output Board Cover Gasket	
202964	57
Output Control Shield	
202939	57
Output Shaft	
36570P	39
Overlay	
202628	9
202753	9
202754	9
202755	9
202922	9
203077	9
203541	9
203973	9
204165	9
204167	9
204168	9

P

Paint	
806436P	43
Panel Locator	
28102	43
56079	43
Pinched Fingers Label	
F8211301	33
Plug, 1 Circuit	
26302	49

N/A items do not appear in index.

Plug, 10 Circuit	
34677	45
Plug, 6 Circuit	
23041	49
Plug, 9 Circuit	
23033	49
Porcelain Touch-Up Paint	
122P4P	43
370P4P	43
Power Cord Assembly	
203119	47
39929	47
Pressure Bulb	
30907	33
Pressure Sensor	
202470	13, 15
Pressure Sensor Harness	
804432	57
Pressure Switch	
B12548401	15
201927P	5
202937	5
Pulley	
202795	37
Pump	
201566P	25, 27
Pump Assembly	
201442P	25, 27

R

Rack	
201664	39
Receptacle, 1 Circuit	
26301	49
Receptacle, 6 Circuit	
26708	49
Receptacle, 9 Circuit	
26163	49
Reduction Gear	
37404P	39
Retainer Clip	
36014	35
Retaining Ring	
23748	25, 27
27197	39
Ring Terminal	
00110	51
Rocker Switch	
38424W	5
Rubber Foot	
34318	43

S

Screw	
D501086	5, 7, 17
M402574	11
201415	13
201773	39
202623	13
20530	29

23962	5, 7, 11, 13, 15, 17
27196	43
27202	31
27220	37
27229	25, 27
29273	39
31645	29
32814	39
33562	17, 21
34337	13, 15
35148	43
35369	29, 33
36639	29
38272	43
39397	21
39432	31
39566	33
39733	43
39739	37
431287	13, 17
51780	43
52909	13, 17, 29, 43, 47
800258	19
804667	57
Sealant	
200996P	31, 33, 41
Service Cabinet Kit	
38612DG	43
38612QP	43
38612WP	43
Shield Assembly	
202965	57
Shipping Brace	
200553	53
Shipping Plug	
38149	53
Silicone Grease	
26594P	37
Siphon Break Kit	
562P3	35
Slide	
26493	39
Spline Insert	
29728	31
Spring Clip	
210202	25, 27
Spring Hook Tool	
321P4	55
Standpipe Adapter	
36878	35
Standpipe Strap	
33489	35
Strain Relief	
32219	35
38384	17, 47
Switch	
33445	11
37830	11
Switch Assembly	
39256	11
Switch Mounting Plate	
29676	13

T

Temperature Switch	
35115	5
Terminal	
00568SG	49
Terminal Extractor Tool	
283P4	45
Terminal Grounding Clip	
00569SG	51
Terminal Tab	
00577	51
Tie Wrap Mounting Clamp	
F140602	49
Timer	
202705P	5
203387P	5
37925P	5
Timer Knob	
201501W	5
Timer Knob Assembly	
202133	5
Timer Skirt Assembly	
36700W	5
803116	5
Tool Kit	
725P3	55
Top	
37992DG	17
37992QP	17
37992WP	17
Top Assembly	
202929W	13
202966W	13
Top Cover	
39905DG	7
39905W	5, 7
Top Shield	
203946	13, 17
Torx Bit	
282P4	55
Transmission Assembly	
203768	41
38165P	39
Transmission Case Assembly	
33223P	39
Transmission Cover Assembly	
37471	39
Transmission Oil	
27243P	39
Transmission Rebuild Kit	
RB150004	39
Transmission Sealant	
37577P	39
Tub Assembly	
39240P	31
Tub Cover Assembly	
202888	33
Tub Cover Gasket	
38359	33
Tub Cover Removal Tool	
273P4	55

N/A items do not appear in index.

Tub Kit	
39250P	31
Tube	
202333	25
Tubing	
202700	33
203478	33
203511	15
Tub-to-Pump Hose	
38351	35

V

Valve to Inlet Hose	
202884	21

W

Warning Label	
D500316	17
803260	43
Warning Sticker	
36592	13
Washer	
D504082	25, 27
20290	21, 23
203950	37
26509	37, 39
27015	37
28094	31
29260	39
35092	39
35535	37
37772	29
39249	33
52549	25, 27
802254	23
803615	23
81392	25, 27
Washtub Gasket	
39122	31
Washtub Kit	
719P3	31
Weldment and Bearing Assembly	
39253	37
Wire Clip	
51291	51
687500	51
70366201	49
Wire Harness Assembly	
203079	57
38661P	59
Wire, 12 Gauge	
45380	57, 59
Wire, 18 Gauge	
45001	57, 59
