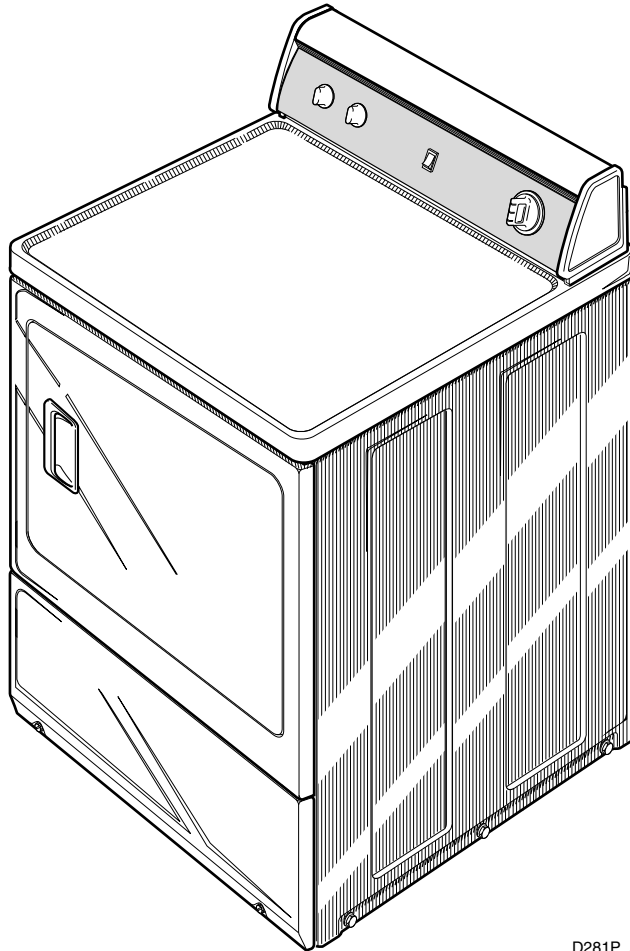


# Homestyle Dryers

Refer to Page 5 for Model Numbers



D281P\_506054

Parts



# Table of Contents

Title	Page
Parts Ordering Information.....	3
Serial Plate Location .....	3
Model Identification .....	5
Graphic Panel - Rear Control Models .....	6
Control Panel and Knobs - Rear Control Models.....	8
Controls - Rear Control Models .....	10
Control Cabinet - Front Control Models .....	12
Control Panel and Controls - Front Control.....	14
Control Cabinet and Controls.....	16
Cabinet Top and Control Hood Rear Panel - Rear Control Models .....	18
Loading Door (Drawing 1 of 2).....	20
Loading Door (Drawing 2 of 2).....	22
Front Panel and Seal .....	24
Access Panel .....	26
Motor, Exhaust Fan and Belt (Drawing 1 of 2).....	28
Motor, Exhaust Fan and Belt (Drawing 2 of 2).....	30
Thermostat.....	32
Front Bulkhead and Seal - Without Light .....	34
Air Duct - Without Front Bulkhead Light.....	36
Front Bulkhead and Seal - With Light .....	38
Air Duct .....	40
Cylinder, Baffles and Drying Rack .....	42
Rear Bulkhead, Felt Seal and Cylinder Roller - 1 Phase Models.....	44
Terminal Block - 1 Phase Models .....	46
Rear Bulkhead, Felt Seal, Cylinder Roller and Terminal Block - 3 Phase Models.....	48
Heater Duct and Element Assembly - 1 Phase Models .....	50
Heater Kit Assembly - 1 Phase Models .....	52
Heater Duct and Element Assembly - 3 Phase Models .....	54
Heater Duct Assembly .....	56
Gas Valve and Igniter .....	58
Gas Conversion Kits .....	60
Gas Valve, Igniter, Ignition Control and Gas Conversion Kits.....	62
Burner Orifice Spuds - For Higher Elevations (Drawing 1 of 2) .....	64
Burner Orifice Spuds - For Higher Elevations (Drawing 2 of 2) .....	66
Cabinet, Exhaust Duct and Base .....	68
Power Cord .....	70
Strain Relief .....	72
Terminal Block and Terminals .....	74
Terminals .....	76
Motor Connection Block, Terminal Extractor Tools.....	78
Wire Harnesses and Wires - Front Control Models (Drawing 1 of 5).....	80

© Copyright 2016, Alliance Laundry Systems LLC

All rights reserved. No part of the contents of this book may be reproduced or transmitted in any form or by any means without the expressed written consent of the publisher.

Wire Harnesses and Wires - Front Control Models (Drawing 2 of 5) ..... 82  
Wire Harnesses and Wires - Front Control Models (Drawing 3 of 5) ..... 84  
Wire Harnesses and Wires - Front Control Models (Drawing 4 of 5) ..... 86  
Wire Harnesses and Wires - Front Control Models (Drawing 5 of 5) ..... 88  
Wire Harnesses and Wires - Rear Control Models Through Serial No. 1207 ..... 90  
Wire Harnesses and Wires - Rear Control Models Starting Serial No. 1207 ..... 92  
Parts Index ..... 95

# Parts Ordering Information

If literature or replacement parts are required, contact the source from whom the machine was purchased or contact Alliance Laundry Systems at (920) 748-3950 for the name and address of the nearest authorized parts distributor.

For technical assistance, call either of the numbers listed below:

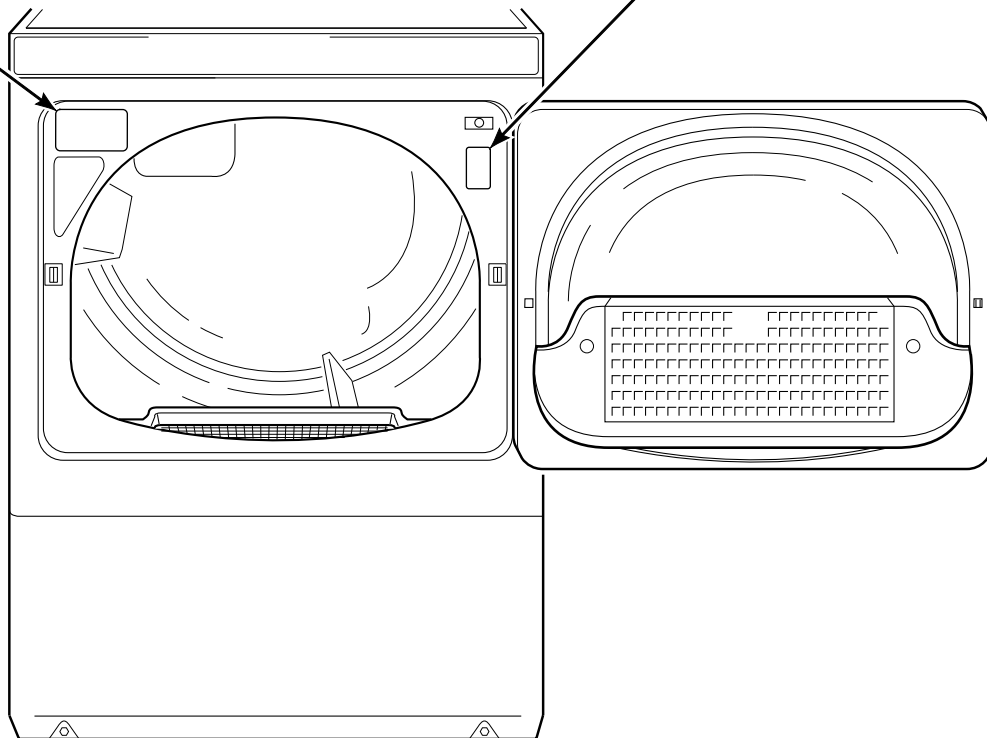
(920) 748-3121 Ripon, Wisconsin

## Serial Plate Location

When calling or writing about your product, be sure to mention model and serial numbers. Model and serial numbers are located on serial plate(s) as shown.

**SERIAL PLATE**  
(Models starting Serial No. 1206025810)

**SERIAL PLATE**  
(Models through Serial No. 1206025809)



DRY2283P\_506054



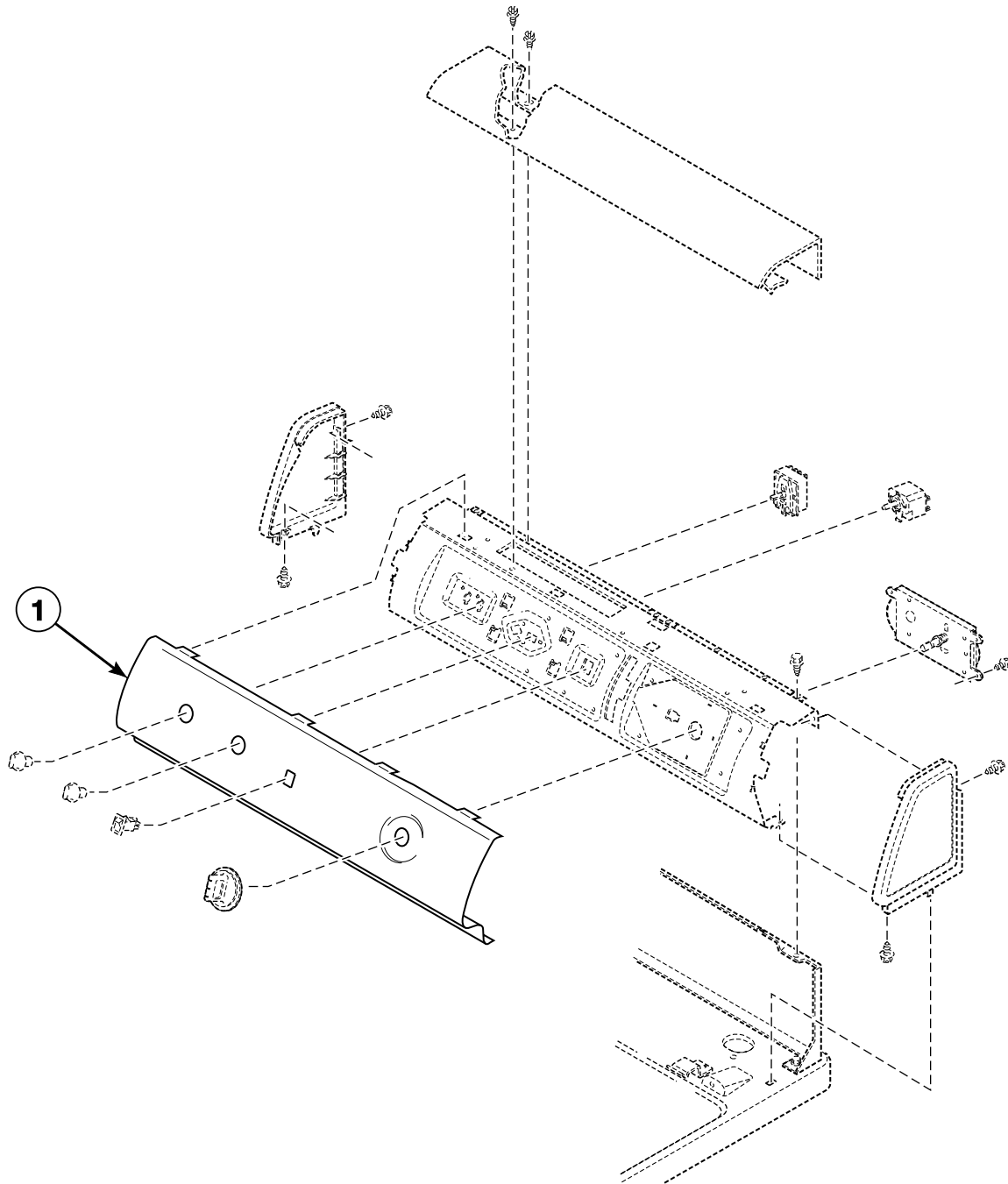
## Model Identification

Information in this manual is applicable to these dryer models:

ADE3TFWS431AW01	LDE3TRGS171CW01	LEZ27A*F1502	LGS38A*M3013
ADE3TRGS451LW22	LDE3TRWS331TW05	LEZ27A*F1702	LGS38A*M3020
ADE3TRWS431AW01	LDE3TRWS541NW22	LEZ27A*G3018	LGS40A*M3020
ADE3TRWS431NW22	LDG3TRGS111CW01	LEZ27A*G4018	LGT57A*F1100
ADE3TRWS431NW29	LDG3TRWS111TW05	LEZ37A*F1702	LGT68A*F1100
ADE32FSS431AN01	LEB07A*F1709	LEZ37A*F3000	LGY47A*F1109
ADE32FSS431NN22	LED17A*F1700	LEZ37A*F3300	LGZ27A*F1102
ADE32FSS541RN01	LEG37A*F4350	LEZ37A*G3018	LGZ27A*M3013
ADE41FSS171TN03	LEH37A*F3300	LEZ37A*G4018	LGZ37A*F1102
ADG3TFWS301AW01	LEK37A*F4350	LEZ37A*G5618	LGZ37A*F3000
ADG3TRWS301AW01	LEN27A*G3008	LEZ57A*F1702	LGZ37A*G3013
ADG32FSS301AN01	LEN27A*G3018	LEZ67A*F1702	LGZ37A*M3013
ADG41FSS111TN03	LEN27A*G4008	LGG37A*F3058	LGZ57A*F1102
AEZ17A*F1702	LEN27A*G4018	LGH37A*F1182	LGZ67A*F1102
AEZ28A*F1702	LEN27A*G99M3	LGH37A*F5423	MDE3TRWS331TW06
AEZ68A*F1702	LEN37A*G3018	LGK37A*F3058	MDG3TRWS111TW06
AGZ17A*F1102	LEN37A*G4018	LGK37A*F3060	YDE3TRGS171CW01
AGZ28A*F1102	LES17A*F3000	LGN27A*F3060	YDG3TRGS111CW01
AGZ68A*F1102	LES17A*F3007	LGN27A*M3008	ZDE30RGS171CW01
BDE30FGS171CW01	LES17A*F3022	LGN27A*M3013	ZDE3LRGS171CW01
BDG30FGS111CW01	LES17A*F4500	LGN37A*M3013	ZDE41FSS171CN01
CDE3LRGS171CW01	LES17A*M4588	LGS17A*F3020	ZDE4BFGS171CW01
CDE4BFGS171CW01	LES27A*G3018	LGS17A*F3081	ZDE4BRGS171CW01
CDG3LRGS111CW01	LES27A*G4000	LGS17A*K1180	ZDG30RGS111CW01
CDG4BFGS111CW01	LES27A*G4500	LGS17A*M3020	ZDG3LRGS111CW01
CEZ68A*F1702	LES27A*G4518	LGS17A*M3082	ZDG41FSS111CN01
CGZ68A*F1102	LES27A*G4018	LGS27A*M3013	ZDG4BFGS111CW01
DDE30RGS173CW01	LES28A*G4018	LGS27A*M3080	ZDG4BRGS111CW01
EDE3TRWS543PW01	LES33A*F4562	LGS37A*F3000	
FDE3TRGS301NW10	LES37A*F3000	LGS37A*F3022	
FDE3TRGS401NW22	LES37A*F3028	LGS37A*F3028	
FDG3TRGS301NW10	LES37A*F3300	LGS37A*F3058	
FEN16A*G4018	LES37A*F3327	LGS37A*F3060	
FEN17A*G3018	LES37A*F4350	LGS37A*F3080	
FEN17A*G4018	LES37A*F5412	LGS37A*F5412	
FES16A*G4018	LES37A*G3018	LGS37A*F5423	
FES17A*F3300	LES37A*G4018	LGS37A*G3013	
FES17A*F4350	LET57A*F1700	LGS37A*G3080	
FEU17A*F1702	LET67A*F1700	LGS37A*M3013	
FEZ17A*F1702	LET68A*F1700	LGS37A*M3080	
FGN16A*M3013	LEY47A*F1709		
FGN17A*M3013			
FGS17A*F3060			
FGZ17A*F1102			

\* Add Letter To Designate Color. G - Gray L - Almond Q - Bisque W - White

# Graphic Panel - Rear Control Models



DRY1868P\_506054



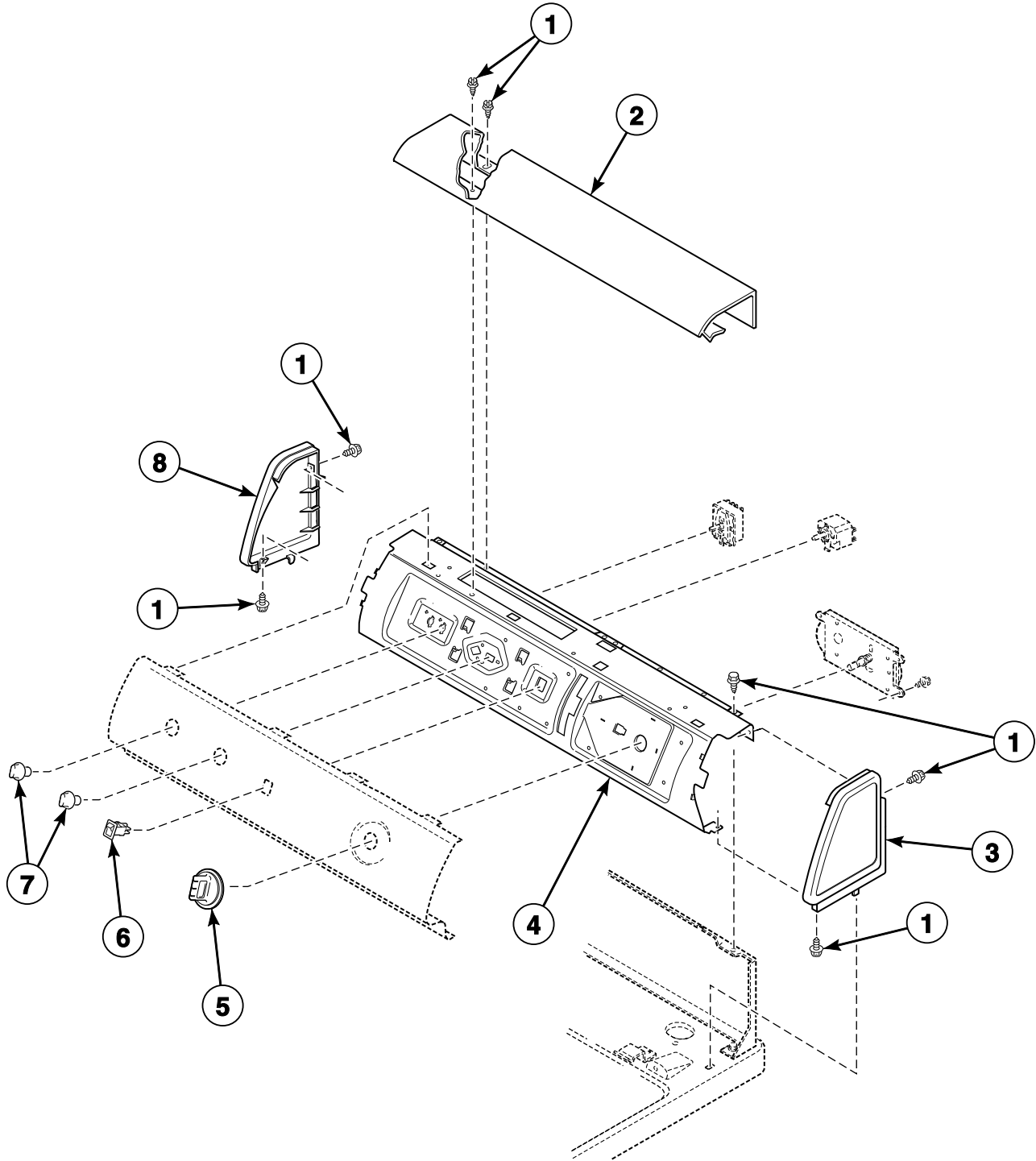
## Graphic Panel - Rear Control Models

REF	PART NO.	DESCRIPTION	COMMENTS
1	503394	Graphic Panel	Model LES33A*F4562
	504020W	Graphic Panel	Models LDE3TRGS171CW01, LDE3TRWS331TW05, LDE3TRWS541NW22, LES37A*F3000, LES37A*F3300, LES37A*F3327, LES37A*F4350, LES37A*F5412, LGS37A*F3000, LGS37A*F3022, LGS37A*F3058, LGS37A*F3060, LGS37A*F3080, LGS37A*F5412 and LGS37A*F5423
	504072WP	Graphic Panel	White; Models LEZ37A*F3000, LEZ37A*F3300 and LGZ37A*F3000
	504072QP	Graphic Panel	Bisque; Models LEZ37A*F3000, LEZ37A*F3300 and LGZ37A*F3000
	504107W	Graphic Panel	Models LEZ27A*G3018, LEZ27A*G4018, LEZ37A*G3018, LEZ37A*G4018, LEZ37A*G5618, LGZ27A*M3013, LGZ37A*G3013 and LGZ37A*M3013
	504197W	Graphic Panel	White; Models LES17A*F3000, LES17A*F3007, LES17A*F3022, LES17A*F4500, LES17A*M4588, LGS17A*F3020, LGS17A*F3081, LGS17A*M3020 and LGS17A*M3082
	504197Q	Graphic Panel	Bisque; Models LES17A*F3000, LES17A*F3007, LES17A*F3022, LES17A*F4500, LES17A*M4588, LGS17A*F3020, LGS17A*F3081, LGS17A*M3020 and LGS17A*M3082
	505157WP	Graphic Panel	Model LGK37A*F3058
	505850	Graphic Panel	Models EDE3TRWS543PW01, LEH37A*F3300, LGH37A*F1182 and LGH37A*F5423
	505911	Graphic Panel	Models LEZ67A*F1702 and LGZ67A*F1102
	505912	Graphic Panel	Models LEZ57A*F1702 and LGZ57A*F1102
	505913	Graphic Panel	Models LEZ27A*F1502, LEZ27A*F1702, LEZ37A*F1702, LGZ27A*F1102 and LGZ37A*F1102
	N/A	Graphic Panel	Model LGS17A*K1180 through Serial No. 0503001144; Models LEB07A*F1709, LEG37A*F4350, LET67A*F1700, LEY47A*F1709, LGG37A*F3058 and LGY47A*F1109
	512622W	Graphic Panel	Model LGS17A*K1180 starting Serial No. 0503001145
	511437	Graphic Panel	Models LEN27A*G3008, LEN27A*G4008, LEN27A*G99M3, LGN27A*F3060 and LGN27A*M3008
	511639	Graphic Panel	Models DDE30RGS173CW01 and LED17A*F1700 through Serial No. 0701
	512168W	Graphic Panel	Models DDE30RGS173CW01 and LED17A*F1700 starting Serial No. 0702
	511882	Graphic Panel	Models LET57A*F1700, LET68A*F1700, LGT57A*F1100 and LGT68A*F1100
	511902W	Graphic Panel	Models LEK37A*F4350 and LGK37A*F3060
	512166W	Graphic Panel	Models AEZ17A*F1702 and AGZ17A*F1102
	512167W	Graphic Panel	Models AEZ68A*F1702 and AGZ68A*F1102
	512370	Graphic Panel	Models FDE3TRGS401NW22, LEN27A*G3018, LEN27A*G4018, LEN37A*G3018, LEN37A*G4018, LGN27A*M3013 and LGN37A*M3013
	512752W	Graphic Panel	Models AEZ28A*F1702 and AGZ28A*F1102
	511914W	Graphic Panel	Models CDE3LRGS171CW01 and CDG3LRGS111CW01
	513523W	Graphic Panel	Models LDE3TRWS331TW05, LDG3TRWS111TW05, MDE3TRWS331TW06 and MDG3TRWS111TW06
	513016W	Graphic Panel	Models ZDE30RGS171CW01 and ZDG30RGS111CW01
	513017W	Graphic Panel	Models ZDE3LRGS171CW01 and ZDG3LRGS111CW01
	513018W	Graphic Panel	Models ZDE4BRGS171CW01 and ZDG4BRGS111CW01
	513244W	Graphic Panel	Models ADE3TRGS451LW22, ADE3TRWS431AW01, ADE3TRWS431NW22 and ADG3TRWS301AW01
	515439W	Graphic Panel	White; Model ADE3TRWS431NW29
	513764W	Graphic Panel	Models FDE3TRGS301NW10 and FDG3TRGS301NW10
	516138W	Graphic Panel	Models YDE3TRGS171CW01 and YDG3TRGS111CW01
	504070W	Graphic Panel	All other models

\* Add Letter To Designate Color. G - Gray L - Almond Q - Bisque W - White

N/A = Part no longer available

# Control Panel and Knobs - Rear Control Models



DRY1858P\_506054

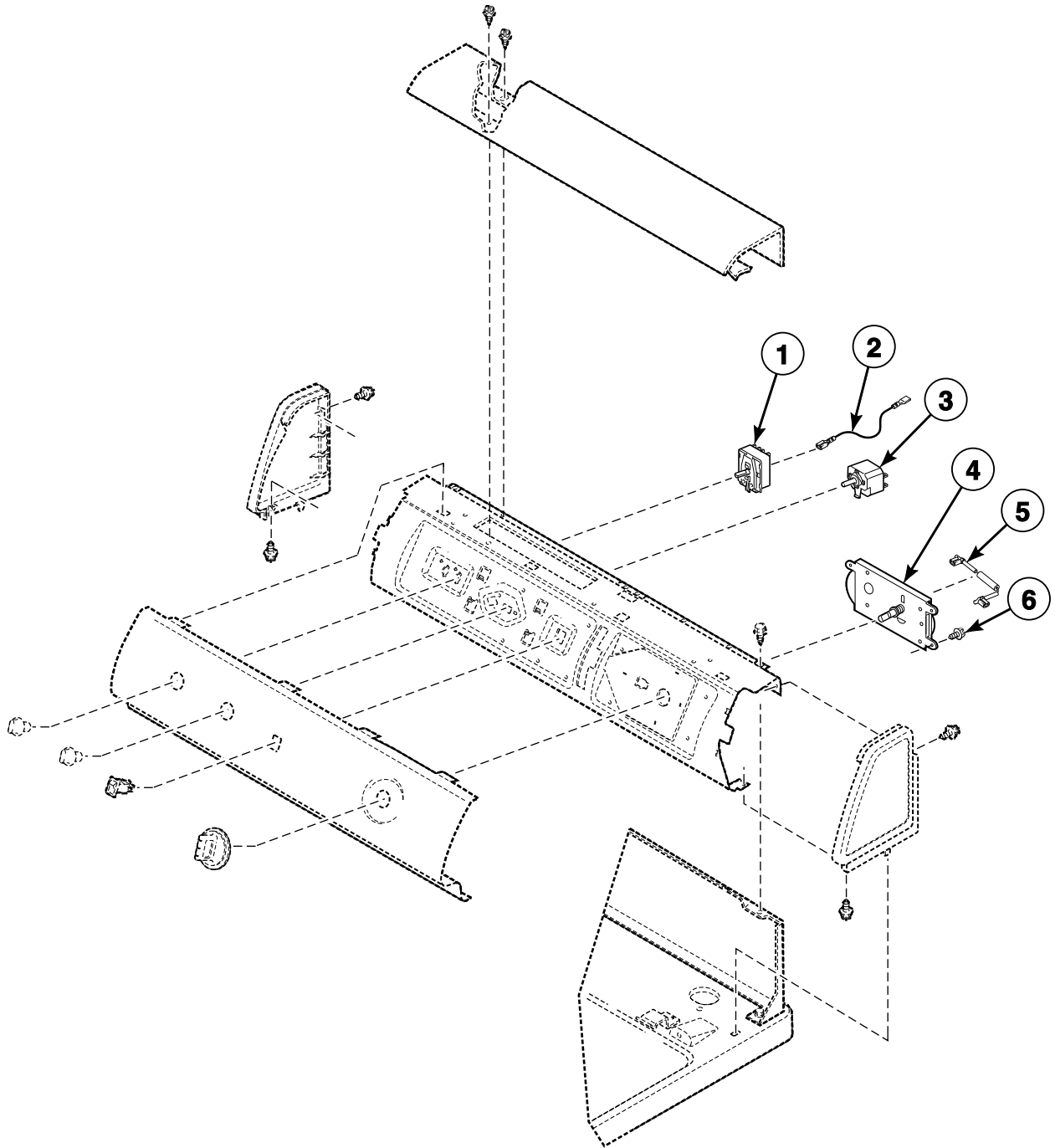
## Control Panel and Knobs - Rear Control Models

REF	PART NO.	DESCRIPTION	COMMENTS
	511148	Wire Assembly	Extra tumble; Use with item 6; Models AEZ68A*F1702, AGZ68A*F1102, ZDE4BRGS171CW01 and ZDG4BRGS111CW01
<b>1</b>	501086	Screw	
<b>2</b>	505808W	Top Cover	White
	505808G	Top Cover	Gray
	N/A	Top Cover	Almond
	505808Q	Top Cover	Bisque
<b>3</b>	504006P	End Panel	Right; Black; Models LEN27A*G3008, LEN27A*G4008, LEN27A*G99M3, LGN27A*F3060 and LGN27A*M3008
	504008WP	End Panel	White; Right; All other models
	504008L	End Panel	Almond; Right; All other models
	504008QP	End Panel	Bisque; Right; All other models
<b>4</b>	503901	Control Support Panel	
<b>5</b>	512118	Timer Knob Assembly	Black; Models LEN27A*G3008, LEN27A*G4008, LEN27A*G99M3, LGN27A*F3060 and LGN27A*M3008
	803168P	Knob Assembly	Models ADE3TRGS451LW22, ADE3TRWS431AW01, ADE3TRWS431NW22, ADE3TRWS431NW29, ADG3TRWS301AW01, ZDE30RGS171CW01, ZDE3LRGS171CW01, ZDE4BRGS171CW01, ZDG30RGS111CW01, ZDG3LRGS111CW01 and ZDG4BRGS111CW01
	512117W	Timer Knob Assembly	White; All other models
	512117Q	Timer Knob Assembly	Bisque; All other models
<b>6</b>	38424W	Rocker Switch	White; Models AEZ68A*F1702, AGZ68A*F1102, LET57A*F1700, LET67A*F1700, LET68A*F1700, LEZ57A*F1702, LEZ67A*F1702, LGT57A*F1100, LGT68A*F1100, LGZ57A*F1102, LGZ67A*F1102, ZDE4BRGS171CW01 and ZDG4BRGS111CW01
	38424L	Rocker Switch	Almond; Models AEZ68A*F1702, AGZ68A*F1102, LET57A*F1700, LET67A*F1700, LET68A*F1700, LEZ57A*F1702, LEZ67A*F1702, LGT57A*F1100, LGT68A*F1100, LGZ57A*F1102 and LGZ67A*F1102
	38424Q	Rocker Switch	Bisque; Models AEZ68A*F1702, AGZ68A*F1102, LET57A*F1700, LET67A*F1700, LET68A*F1700, LEZ57A*F1702, LEZ67A*F1702, LGT57A*F1100, LGT68A*F1100, LGZ57A*F1102 and LGZ67A*F1102
<b>7</b>	511439	Knob Assembly	Black; Models LEN27A*G3008, LEN27A*G4008, LEN27A*G99M3, LGN27A*F3060 and LGN27A*M3008
	803119P	Control Knob Assembly	Models ADE3TRGS451LW22, ADE3TRWS431AW01, ADE3TRWS431NW22, ADE3TRWS431NW29, ADG3TRWS301AW01, ZDE30RGS171CW01, ZDE3LRGS171CW01, ZDE4BRGS171CW01, ZDG30RGS111CW01, ZDG3LRGS111CW01 and ZDG4BRGS111CW01
	36701W	Knob Assembly	White; All other models
	36701L	Knob Assembly	Almond; All other models
	36701Q	Knob Assembly	Bisque; All other models
<b>8</b>	504007P	End Panel	Left; Black; Models LEN27A*G3008, LEN27A*G4008, LEN27A*G99M3, LGN27A*F3060 and LGN27A*M3008
	504009WP	End Panel	White; Left; All other models
	N/A	End Panel	Almond; Left; All other models
	504009QP	End Panel	Bisque; Left; All other models

\* Add Letter To Designate Color. **G** - Gray **L** - Almond **Q** - Bisque **W** - White

N/A = Part no longer available

# Controls - Rear Control Models



DRY2279P\_506054

## Controls - Rear Control Models

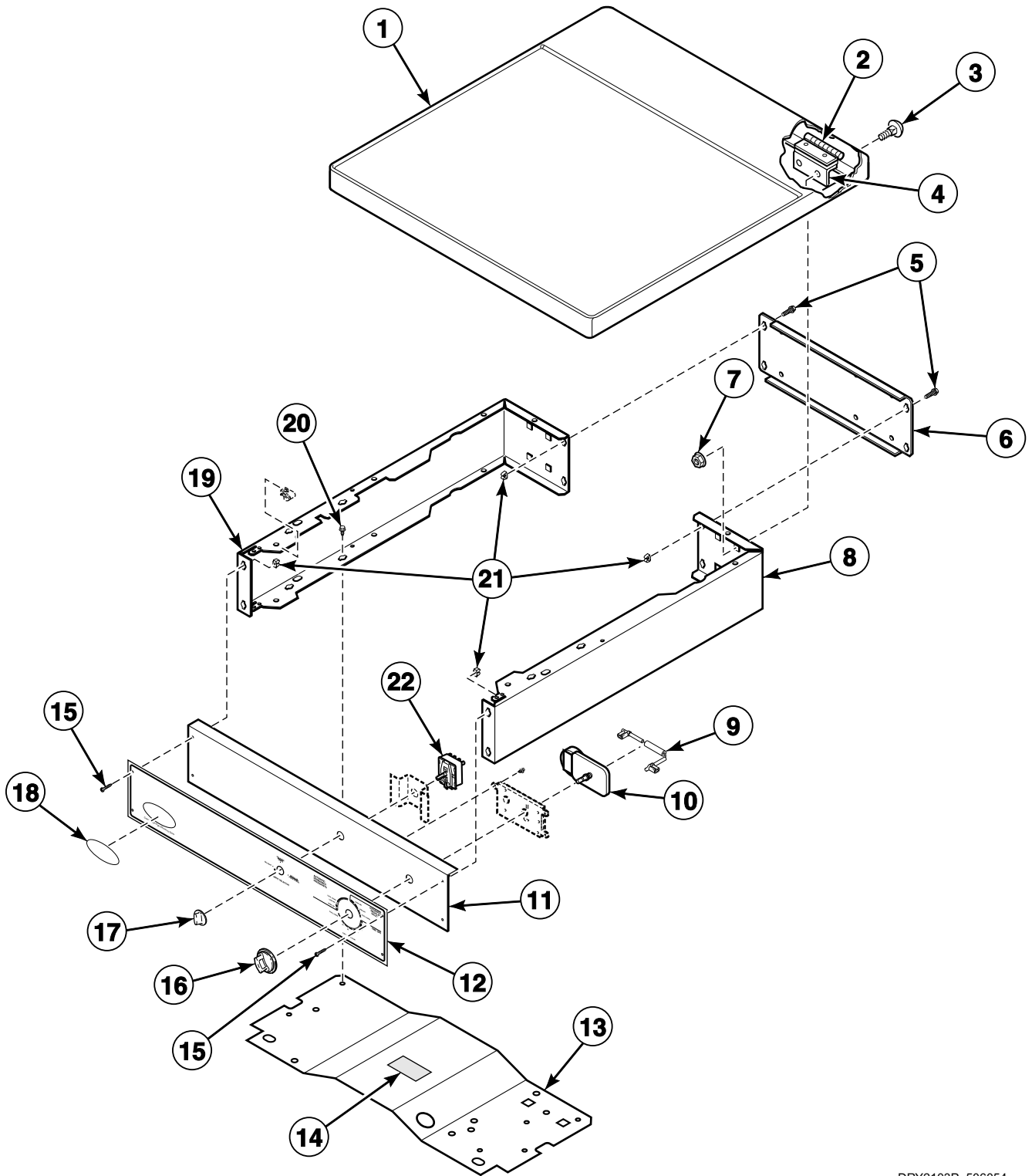
REF	PART NO.	DESCRIPTION	COMMENTS
1	513504	Fabric Selector Switch	Model LES33A*F4562
	513506	Fabric Selector Switch	Models AEZ68A*F1702, AGZ68A*F1102, LET57A*F1700, LET67A*F1700, LET68A*F1700, LEY47A*F1709, LEZ57A*F1702, LEZ67A*F1702, LGT57A*F1100, LGT68A*F1100, LGY47A*F1109, LGZ57A*F1102, LGZ67A*F1102, ZDE4BRGS171CW01 and ZDG4BRGS111CW01
	513505	Fabric Selector Switch	All other models
2	510540	Wire Assembly	Fabric selector switch to timer; Electric models
3	510211	Buzzer	Models ADE3TRGS451LW22, AEZ68A*F1702, AGZ68A*F1102, LDE3TRGS171CW01, LDG3TRGS111CW01, LDG3TRWS111TW05, LET57A*F1700, LET67A*F1700, LET68A*F1700, LEY47A*F1709, LEZ27A*F1502, LEZ27A*F1702, LEZ37A*F1702, LEZ57A*F1702, LEZ67A*F1702, LGH37A*F1182, LGT57A*F1100, LGT68A*F1100, LGY47A*F1109, LGZ27A*F1102, LGZ37A*F1102, LGZ57A*F1102, LGZ67A*F1102, MDG3TRWS111TW06, YDE3TRGS171CW01, YDG3TRGS111CW01, ZDE4BRGS171CW01 and ZDG4BRGS111CW01
	505447	Adjustable Buzzer	Models LGS37A*G3013, LGS37A*G3080 and LGZ37A*G3013
	504103	Adjustable Buzzer	All models except AEZ17A*F1702, AEZ28A*F1702, AEZ68A*F1702, AGZ17A*F1102, AGZ28A*F1102, AGZ68A*F1102, CDE3LRGS171CW01, CDG3LRGS111CW01, DDE30RGS173CW01, LDG3TRWS111TW05, LEB07A*F1709, LED17A*F1700, LES17A*F3000, LES17A*F3007, LES17A*F3022, LES17A*F4500, LES17A*M4588, LET57A*F1700, LET67A*F1700, LET68A*F1700, LEY47A*F1709, LEZ27A*F1502, LEZ27A*F1702, LEZ37A*F1702, LEZ57A*F1702, LEZ67A*F1702, LGH37A*F1182, LGS17A*F3020, LGS17A*F3081, LGS17A*K1180, LGS17A*M3020, LGS17A*M3082, LGS37A*G3013, LGS37A*G3080, LGT57A*F1100, LGT68A*F1100, LGY47A*F1109, LGZ27A*F1102, LGZ37A*F1102, LGZ37A*G3013, LGZ57A*F1102, LGZ67A*F1102, MDG3TRWS111TW06, ZDE30RGS171CW01, ZDE3LRGS171CW01, ZDE4BRGS171CW01, ZDG30RGS111CW01, ZDG3LRGS111CW01 and ZDG4BRGS111CW01
	502966P	Timer	Models LGS37A*G3013, LGS37A*G3080 and LGZ37A*G3013
	505795P	Timer	Models FDE3TRGS301NW10, FDG3TRGS301NW10, LES17A*F3000, LES17A*F3007, LES17A*F3022, LES17A*F4500, LES17A*M4588, LES37A*F3000, LES37A*F4350, LEZ37A*F3000, LEZ37A*F3300, LGN27A*F3060, LGS17A*F3020, LGS17A*F3081, LGS17A*M3020, LGS17A*M3082, LGS37A*F3000, LGS37A*F3022, LGS37A*F3058, LGS37A*F3060, LGS37A*F3080 and LGZ37A*F3000
505796P	Timer	Models EDE3TRWS543PW01, LDE3TRWS331TW05, LDE3TRWS541NW22, LEH37A*F3300, LES37A*F3300, LES37A*F3327, LES37A*F5412, LGS37A*F5412, LGS37A*F5423 and MDE3TRWS331TW06	
505797P	Timer and Harness Kit	Models ADE3TRGS451LW22, AEZ17A*F1702, AEZ28A*F1702, CDE3LRGS171CW01, DDE30RGS173CW01, LDE3TRGS171CW01, LED17A*F1700, LEZ27A*F1502, LEZ27A*F1702, LEZ37A*F1702, YDE3TRGS171CW01, ZDE30RGS171CW01 and ZDE3LRGS171CW01	
505794P	Timer	Models AGZ17A*F1102, AGZ28A*F1102, CDG3LRGS111CW01, LDG3TRGS111CW01, LDG3TRWS111TW05, LGH37A*F1182, LGS17A*K1180, LGZ27A*F1102, LGZ37A*F1102, MDG3TRWS111TW06, YDG3TRGS111CW01, ZDG30RGS111CW01 and ZDG3LRGS111CW01	
511149P	Timer	Models AGZ68A*F1102, LGT57A*F1100, LGT68A*F1100, LGZ57A*F1102, LGZ67A*F1102 and ZDG4BRGS111CW01	
511150P	Timer	Models AEZ68A*F1702, LET57A*F1700, LET67A*F1700, LET68A*F1700, LEZ57A*F1702, LEZ67A*F1702 and ZDE4BRGS171CW01	
N/A	Timer and Harness Kit	Model LEB07A*F1709	
N/A	Timer	Models LEY47A*F1709 and LGY47A*F1109	
502964P	Timer	All other models	
5	511277	Resistor Assembly	
6	501086	Screw	

\* Add Letter To Designate Color. G - Gray L - Almond Q - Bisque W - White

N/A = Part no longer available

# Control Cabinet - Front Control Models

Models BDE30FGS171CW01, BDG30FGS111CW01, FEN16A\*G4018, FEN17A\*G3018, FEN17A\*G4018, FES16A\*G4018, FES17A\*F3300, FES17A\*F4350, FEU17A\*F1702, FEZ17A\*F1702, FGN16A\*M3013, FGN17A\*M3013, FGS17A\*F3060 and FGZ17A\*F1102



DRY2103P\_506054

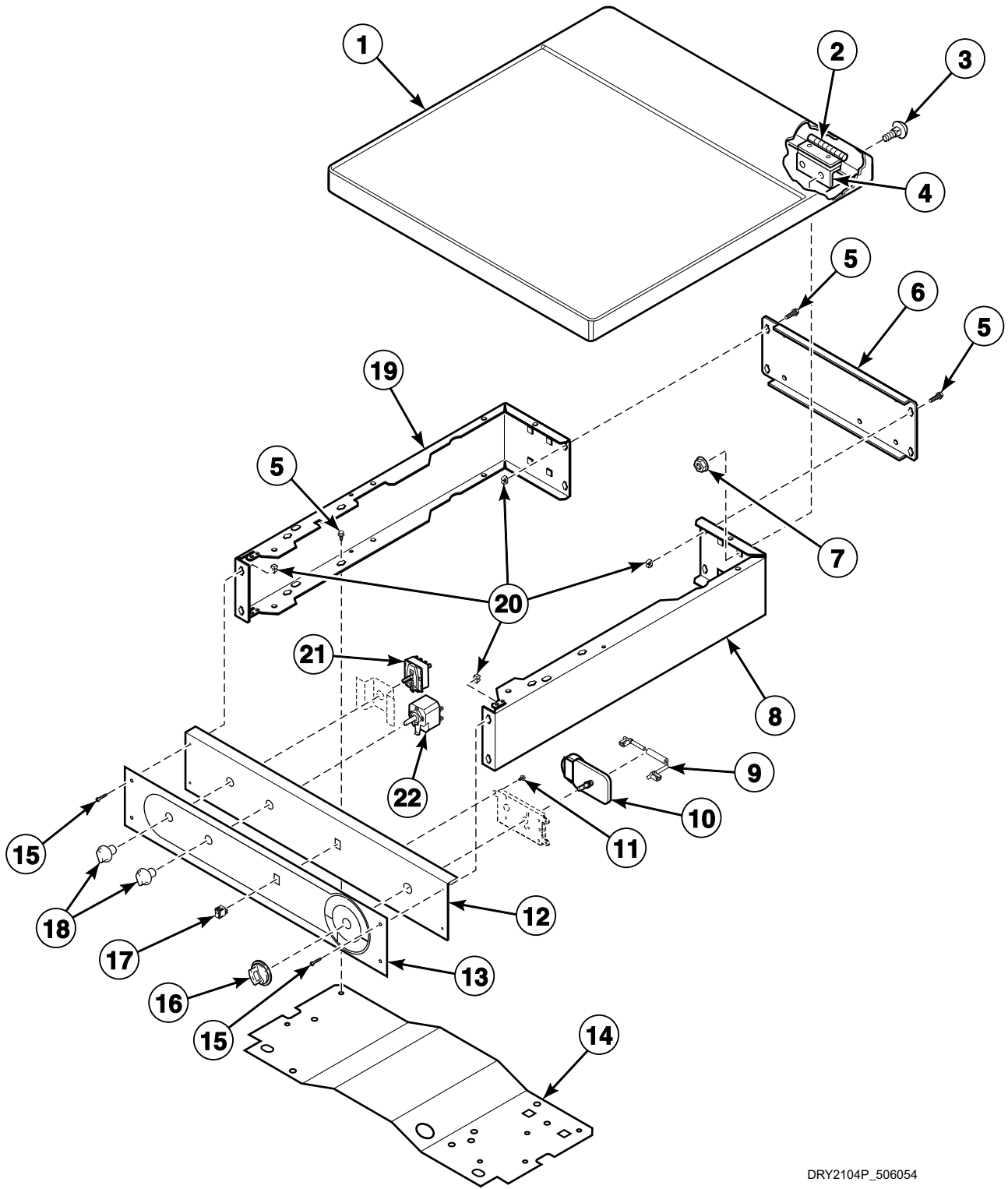
## Control Cabinet - Front Control Models

REF	PART NO.	DESCRIPTION	COMMENTS
1	511631P	Stainless Steel Top	Models FEN16A*G4018, FES16A*G4018 and FGN16A*M3013
	510032LP	Top Kit	Almond; All other models
	802247QP	Top and Gusset Assembly	Bisque; All other models
	802247WP	Top and Gusset Assembly	White; All other models
2	511036	Hinge	
3	29651	Bolt	4 required
4	504228	Top Mounting Bracket	
5	503688	Screw	
6	801058	Rear Control Cabinet	
7	44087201	Nut	
8	800915W	Right Control Cabinet Side	White
	800915L	Right Control Cabinet Side	Almond
	800915Q	Right Control Cabinet Side	Bisque
9	511277	Resistor Assembly	Models BDE30FGS171CW01, FEN16A*G4018, FEU17A*F1702 and FEZ17A*F1702
10	502964P	Timer	Models FEN16A*G4018, FEN17A*G3018, FEN17A*G4018, FES16A*G4018, FGN16A*M3013 and FGN17A*M3013
	505794P	Timer	Models BDG30FGS111CW01 and FGZ17A*F1102
	505795P	Timer	Models FES17A*F4350 and FGS17A*F3060
	505796P	Timer	Model FES17A*F3300
	505797P	Timer and Harness Kit	Models BDE30FGS171CW01, FEU17A*F1702 and FEZ17A*F1702
11	511421W	Control Panel Assembly	
12	511656	Graphic Overlay	Models FEN16A*G4018, FEN17A*G3018, FEN17A*G4018, FES16A*G4018, FGN16A*M3013 and FGN17A*M3013
	511406	Graphic Overlay	All other models
13	801777	Control Cabinet Bottom	
14	505281	Disconnect Power Warning Label	Model FGS17A*F3060
	502511	Electrical Shock Label	Models FGN16A*M3013 and FGN17A*M3013
15	800930	Screw	4 required
16	512117W	Timer Knob Assembly	White
	512117Q	Timer Knob Assembly	Bisque
17	36701W	Knob Assembly	White
	36701L	Knob Assembly	Almond
	36701Q	Knob Assembly	Bisque
18	202128	Domed Label	Models BDE30FGS171CW01 and BDG30FGS111CW01
	800921	Domed Label	Models FES16A*G4018, FES17A*F3300, FES17A*F4350 and FGS17A*F3060
	800922	Domed Label	Models FEZ17A*F1702 and FGZ17A*F1102
	800923	Domed Label	Model FEU17A*F1702
19	800900WP	Left Control Cabinet Side	White
	800900LP	Left Control Cabinet Side	Almond
	800900QP	Left Control Cabinet Side	Bisque
20	70240301	Screw	8 required
21	70030501	Expansion Clip	12 required
22	513505	Fabric Selector Switch	

\* Add Letter To Designate Color. G - Gray L - Almond Q - Bisque W - White

# Control Panel and Controls - Front Control

Models ADE3TFWS431AW01, ADG3TFWS301AW01, CDE4BFGS171CW01, CDG4BFGS111CW01, CEZ68A\*F1702, CGZ68A\*F1102, ZDE4BFGS171CW01 and ZDG4BFGS111CW01



DRY2104P\_506054



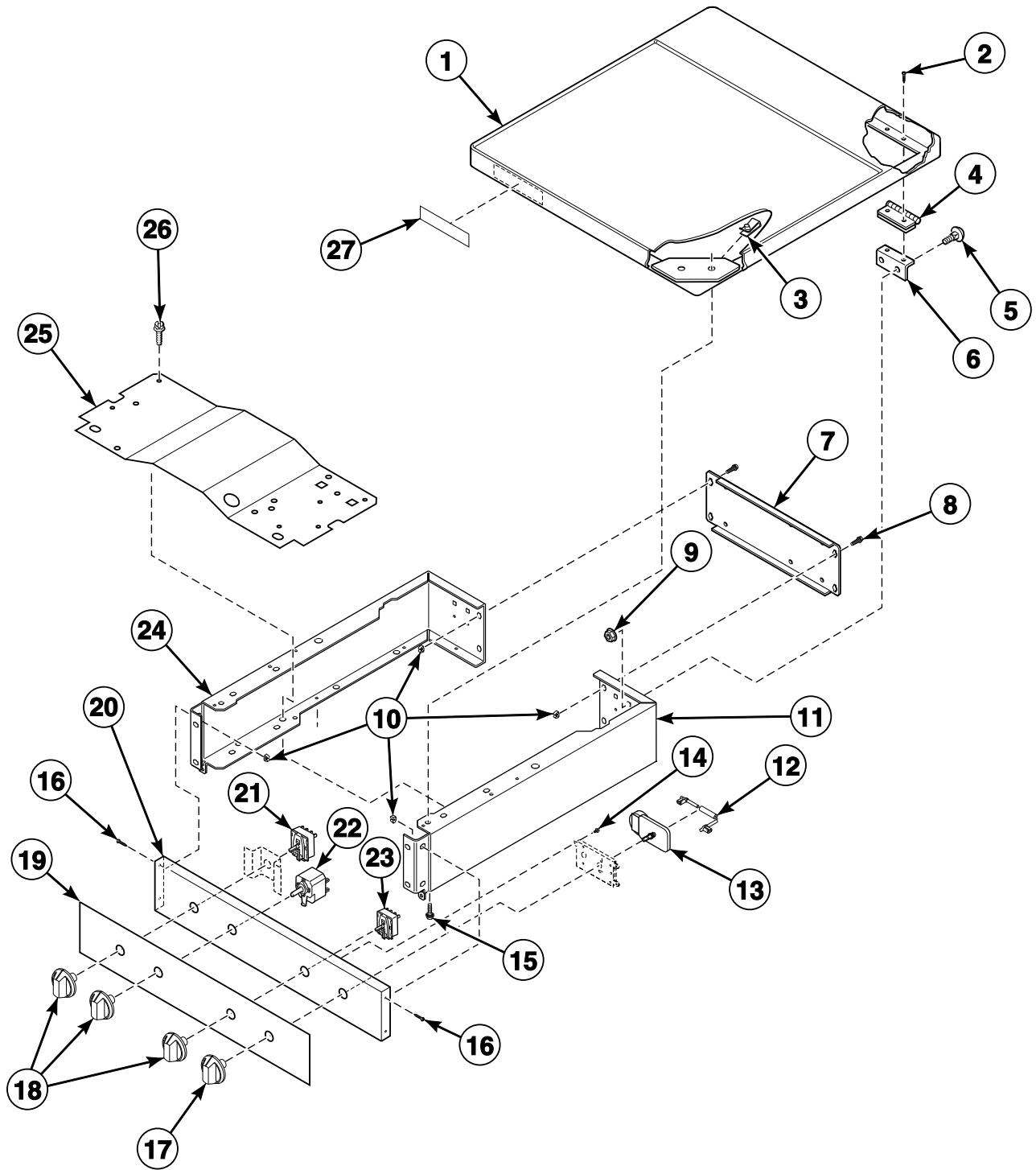
## Control Panel and Controls - Front Control

REF	PART NO.	DESCRIPTION	COMMENTS
1	802247WP	Top and Gusset Assembly	White
	802247QP	Top and Gusset Assembly	Bisque
2	511036	Hinge	
3	29651	Bolt	4 required
4	504228	Top Mounting Bracket	
5	70240301	Screw	8 required
6	801058	Rear Control Cabinet	
7	29796	Nut	4 required
8	800915W	Right Control Cabinet Side	White
	800915Q	Right Control Cabinet Side	Bisque
9	511277	Resistor Assembly	Use with 511150 4 Cycle Timer; Models CDE4BFGS171CW01, CEZ68A*F1702 and ZDE4BFGS171CW01
10	502964P	Timer	Models ADE3TFWS431AW01 and ADG3TFWS301AW01
	511149P	Timer	Models CDG4BFGS111CW01, CGZ68A*F1102 and ZDG4BFGS111CW01
	511150P	Timer	Models CDE4BFGS171CW01, CEZ68A*F1702 and ZDE4BFGS171CW01
11	501086	Screw	
12	512067W	Control Panel Assembly	
13	513245	Graphic Overlay	Models ADE3TFWS431AW01 and ADG3TFWS301AW01
	512751	Graphic Overlay	Models CEZ68A*F1702 and CGZ68A*F1102
	511913	Graphic Overlay	Models CDE4BFGS171CW01 and CDG4BFGS111CW01
	513019	Graphic Overlay	Models ZDE4BFGS171CW01 and ZDG4BFGS111CW01
14	801777	Control Cabinet Bottom	
15	800930	Screw	4 required
16	803118P	Knob Assembly	Models ADE3TFWS431AW01, ADG3TFWS301AW01, ZDE4BFGS171CW01 and ZDG4BFGS111CW01
	512117W	Timer Knob Assembly	White; All other models
	512117Q	Timer Knob Assembly	Bisque; All other models
17	38424W	Rocker Switch	White; All models except ADE3TFWS431AW01 and ADG3TFWS301AW01
	38424Q	Rocker Switch	Bisque; All models except ADE3TFWS431AW01 and ADG3TFWS301AW01
18	803119P	Control Knob Assembly	Models ADE3TFWS431AW01, ADG3TFWS301AW01, ZDE4BFGS171CW01 and ZDG4BFGS111CW01
	36701W	Knob Assembly	White; All other models
	36701Q	Knob Assembly	Bisque; All other models
19	800900WP	Left Control Cabinet Side	White
	800900QP	Left Control Cabinet Side	Bisque
20	70030501	Expansion Clip	12 required
21	513505	Fabric Selector Switch	
22	504103	Adjustable Buzzer	Models ADE3TFWS431AW01 and ADG3TFWS301AW01
	510211	Buzzer	All other models

\* Add Letter To Designate Color. G - Gray L - Almond Q - Bisque W - White

# Control Cabinet and Controls

Models ADE32FSS431AN01, ADE32FSS431NN22, ADE32FSS541RN01, ADE41FSS171TN03, ADG32FSS301AN01, ADG41FSS111TN03, ZDE41FSS171CN01 and ZDG41FSS111CN01

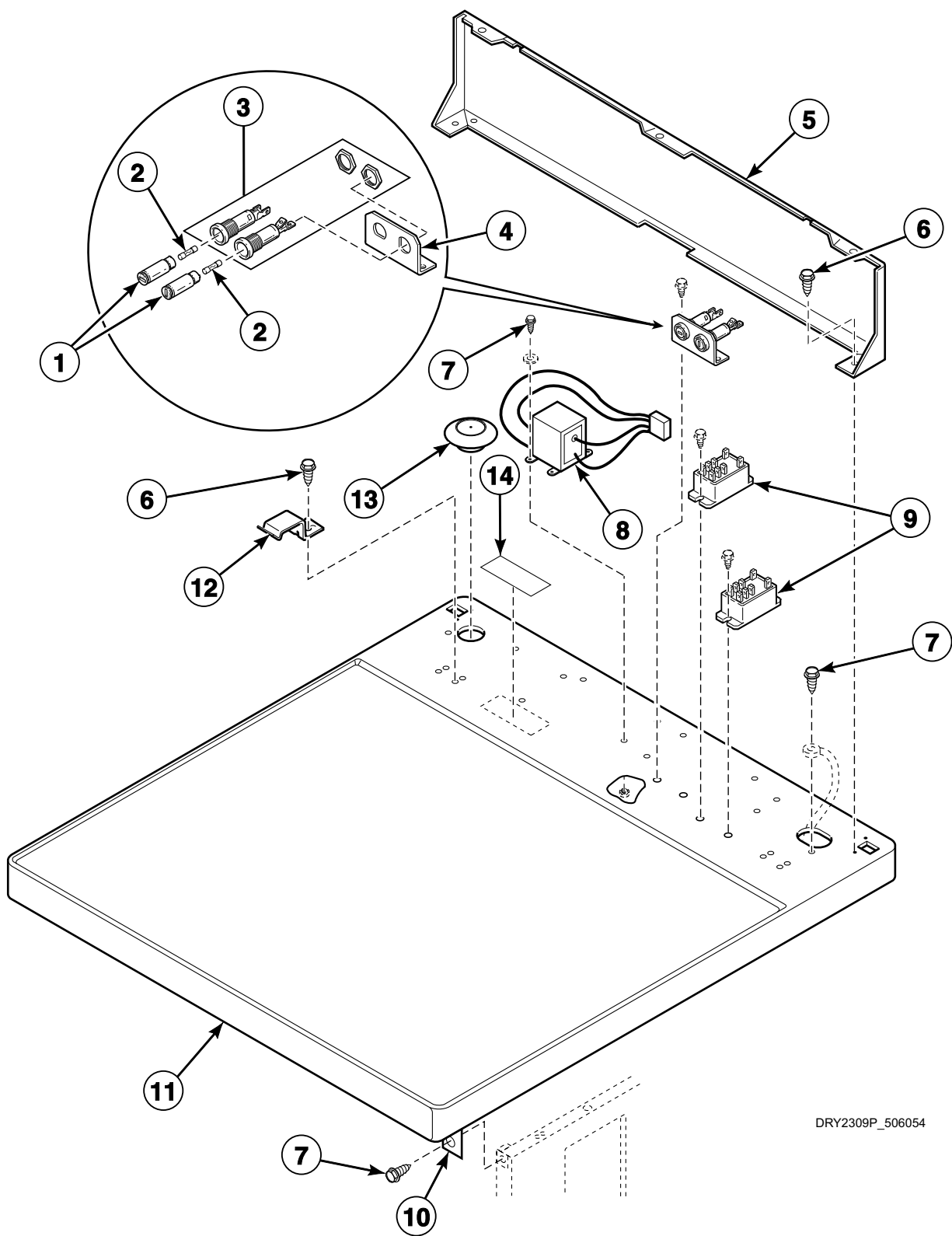


DRY2240P\_506054

## Control Cabinet and Controls

REF	PART NO.	DESCRIPTION	COMMENTS
	513170P	Wire Assembly	Extra tumble
1	803144P	Top Kit	Includes items 2, 6, 9 and 4 each of 22649 Screw and 51236 Nut
2	685847	Pop Rivet	
3	36020	Nut	
4	511036	Hinge	
5	29651	Bolt	
6	504228	Top Mounting Bracket	
7	801058	Rear Control Cabinet	
8	70240301	Screw	
9	44087201	Nut	
10	70030501	Expansion Clip	
11	803141	Control Cabinet	Right; Stainless steel
	513701G	Control Cabinet	Right; Gray
12	511277	Resistor Assembly	Use with 511150 4 Cycle Timer; Models ADE41FSS171TN03 and ZDE41FSS171CN01
13	505795P	Timer	Models ADE32FSS431AN01, ADE32FSS431NN22 and ADG32FSS301AN01
	505796P	Timer	Model ADE32FSS541RN01
	511149P	Timer	Models ADG41FSS111TN03 and ZDG41FSS111CN01
	511150P	Timer	Models ADE41FSS171TN03 and ZDE41FSS171CN01
14	501086	Screw	
15	23008	Screw	
16	F430956	Screw	
17	803098P	Timer Knob Assembly	
18	803099P	Control Knob Assembly	
19	513443	Panel	Models ADE32FSS431AN01, ADE32FSS431NN22, ADE32FSS541RN01 and ADG32FSS301AN01
	513112	Panel	Models ADE41FSS171TN03 and ADG41FSS111TN03
	513093	Panel	Models ZDE41FSS171CN01 and ZDG41FSS111CN01
20	513161	Control Panel Assembly	
21	513506	Fabric Selector Switch	
22	504103	Adjustable Buzzer	Models ADE32FSS431AN01, ADE32FSS431NN22, ADE32FSS541RN01 and ADG32FSS301AN01
	510211	Buzzer	All other models
23	803568	Selector Switch	Models ADE41FSS171TN03, ADG41FSS111TN03, ZDE41FSS171CN01 and ZDG41FSS111CN01
24	803142	Control Cabinet	Left; Stainless steel
	513702G	Control Cabinet	Left; Gray
25	801777	Control Cabinet Bottom	
26	M405188	Screw	Use with stainless steel cabinet
	503688	Screw	
27	803013	Badge	Models ADE32FSS431AN01, ADE32FSS431NN22, ADE32FSS541RN01, ADE41FSS171TN03, ADG32FSS301AN01 and ADG41FSS111TN03
	803101	Badge	Models ZDE41FSS171CN01 and ZDG41FSS111CN01

# Cabinet Top and Control Hood Rear Panel - Rear Control Models



DRY2309P\_506054

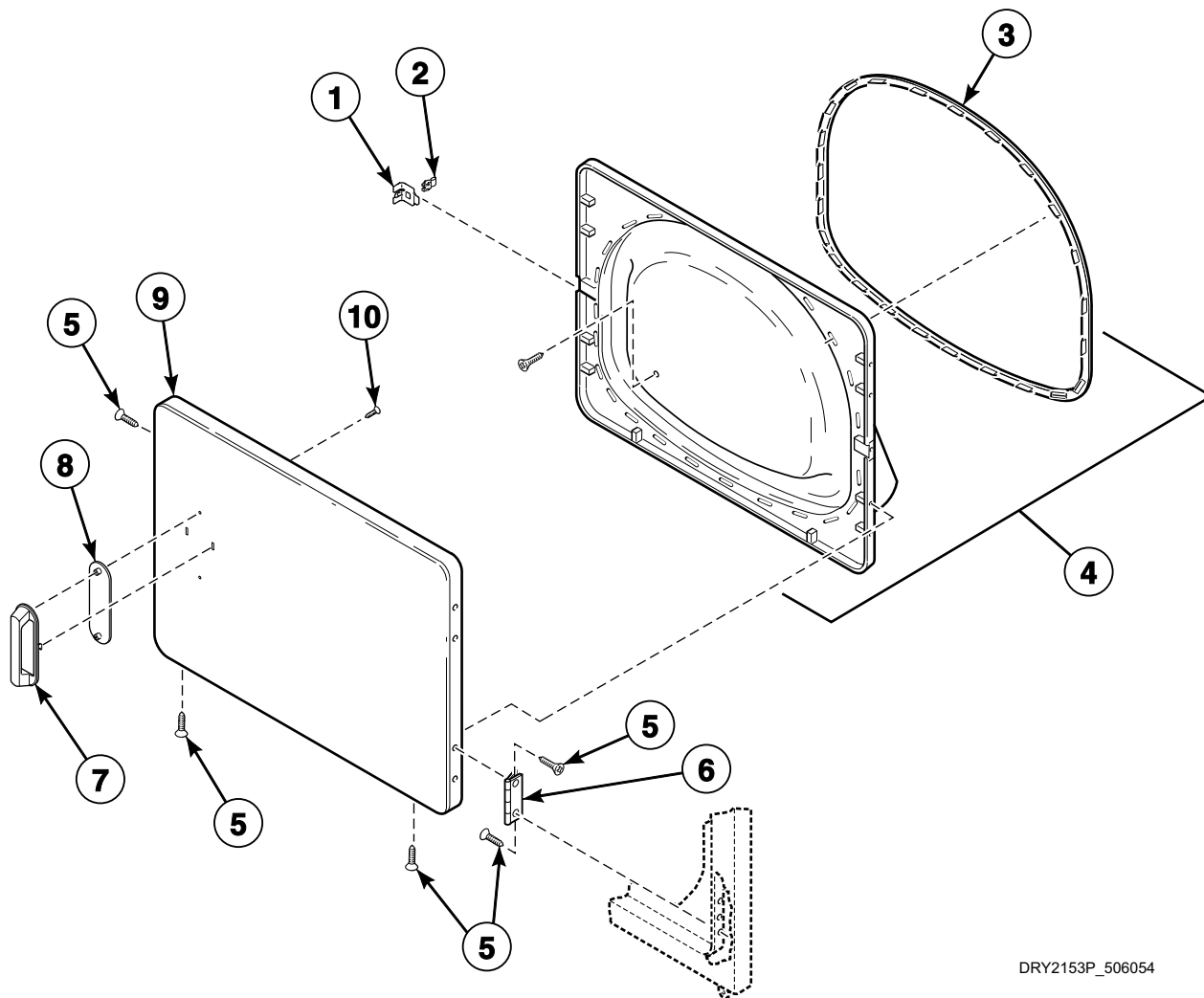
# Cabinet Top and Control Hood Rear Panel - Rear Control Models

REF	PART NO.	DESCRIPTION	COMMENTS
	511303	Wire Harness Assembly	Transformer adapter; Includes 502592 Fuse (3.15 Amp, 250 Volt); Models ADG3TRWS301AW01, LGH37A*F5423, LGK37A*F3060, LGN27A*F3060, LGN27A*M3008, LGN27A*M3013, LGN37A*M3013, LGS17A*M3020, LGS17A*M3082, LGS27A*M3013, LGS27A*M3080, LGS37A*F3022, LGS37A*F3060, LGS37A*F3080, LGS37A*F5412, LGS37A*F5423, LGS37A*M3013, LGS37A*M3080, LGS38A*M3013, LGS38A*M3020, LGS40A*M3020, LGZ27A*M3013 and LGZ37A*M3013
<b>1</b>	502811	Fuse Carrier	Models LGS37A*G3013, LGS37A*G3080 and LGZ37A*G3013
<b>2</b>	502593	Fuse	400 mA; 1 required; Models LGS37A*G3013, LGS37A*G3080 and LGZ37A*G3013
	502592	Fuse	3.15 Amp; 1 required; Models LGS37A*G3013, LGS37A*G3080 and LGZ37A*G3013
<b>3</b>	502591P	Fuse Holder Kit	Models LGS37A*G3013, LGS37A*G3080 and LGZ37A*G3013
<b>4</b>	502589	Fuse Holder Bracket	Models LGS37A*G3013, LGS37A*G3080 and LGZ37A*G3013
<b>5</b>	804169	Hood Back Panel	Model LGN27A*F3060
	510099	Hood Back Panel	All other models
<b>6</b>	501086	Screw	
<b>7</b>	503688	Screw	
<b>8</b>	511658P	Transformer Kit	Models ADG3TRWS301AW01, FDG3TRGS301NW10, LGH37A*F5423, LGK37A*F3060, LGN27A*F3060, LGN27A*M3008, LGN27A*M3013, LGN37A*M3013, LGS17A*F3020, LGS17A*F3081, LGS17A*M3020, LGS17A*M3082, LGS27A*M3013, LGS27A*M3080, LGS37A*F3000, LGS37A*F3022, LGS37A*F3028, LGS37A*F3060, LGS37A*F3080, LGS37A*F5412, LGS37A*F5423, LGS37A*G3013, LGS37A*G3080, LGS37A*M3013, LGS37A*M3080, LGS38A*M3013, LGS38A*M3020, LGS40A*M3020, LGZ27A*M3013, LGZ37A*F3000, LGZ37A*G3013 and LGZ37A*M3013
<b>9</b>	502501	Relay	All models except ZDE30RGS171CW01
<b>10</b>	510146	Bracket	
<b>11</b>	510029WP	Top Panel Kit	White; Includes 2 of item 7
	510029G	Top Panel	Gray
	510029LP	Top Panel Kit	Almond; Includes 2 of item 7
<b>12</b>	35358	Hold-Down Clip	
<b>13</b>	514374	Top Plug	Models ADE3TRWS431NW29 and LGN27A*F3060
<b>14</b>	505281	Disconnect Power Warning Label	

\* Add Letter To Designate Color. G - Gray L - Almond Q - Bisque W - White

# Loading Door (Drawing 1 of 2)

Models ADE32FSS431AN01, ADE32FSS431NN22, ADE32FSS541RN01, ADE41FSS171TN03, ADG32FSS301AN01, ADG41FSS111TN03, ZDE41FSS171CN01 and ZDG41FSS111CN01



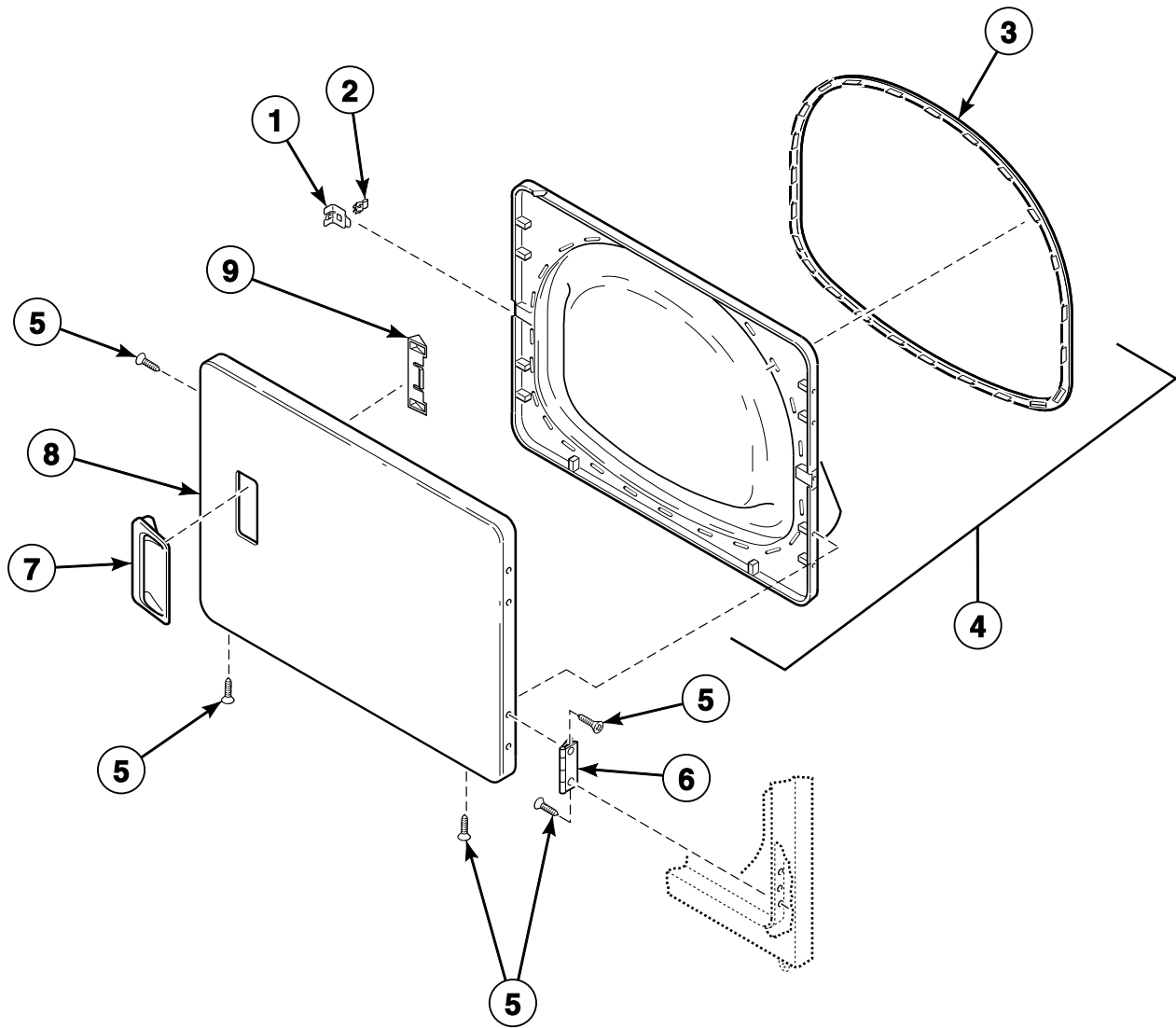
DRY2153P\_506054

## Loading Door (Drawing 1 of 2)

REF	PART NO.	DESCRIPTION	COMMENTS
1	510127	Door Strike Mount	
2	510181	Door Strike	
3	510147P	Liner Door Seal	
4	513109P	Liner, Seal and Grill Assembly	Gray
5	514461	Screw	
6	511036	Hinge	
7	803095	Door Handle	
8	803094P	Handle Cover	
9	513156	Dryer Door	
10	800548	Screw	

# Loading Door (Drawing 2 of 2)

All Models Except ADE32FSS431AN01, ADE32FSS431NN22, ADE32FSS541RN01, ADE41FSS171TN03, ADG32FSS301AN01, ADG41FSS111TN03, ZDE41FSS171CN01 and ZDG41FSS111CN01



DRY1874P\_506054

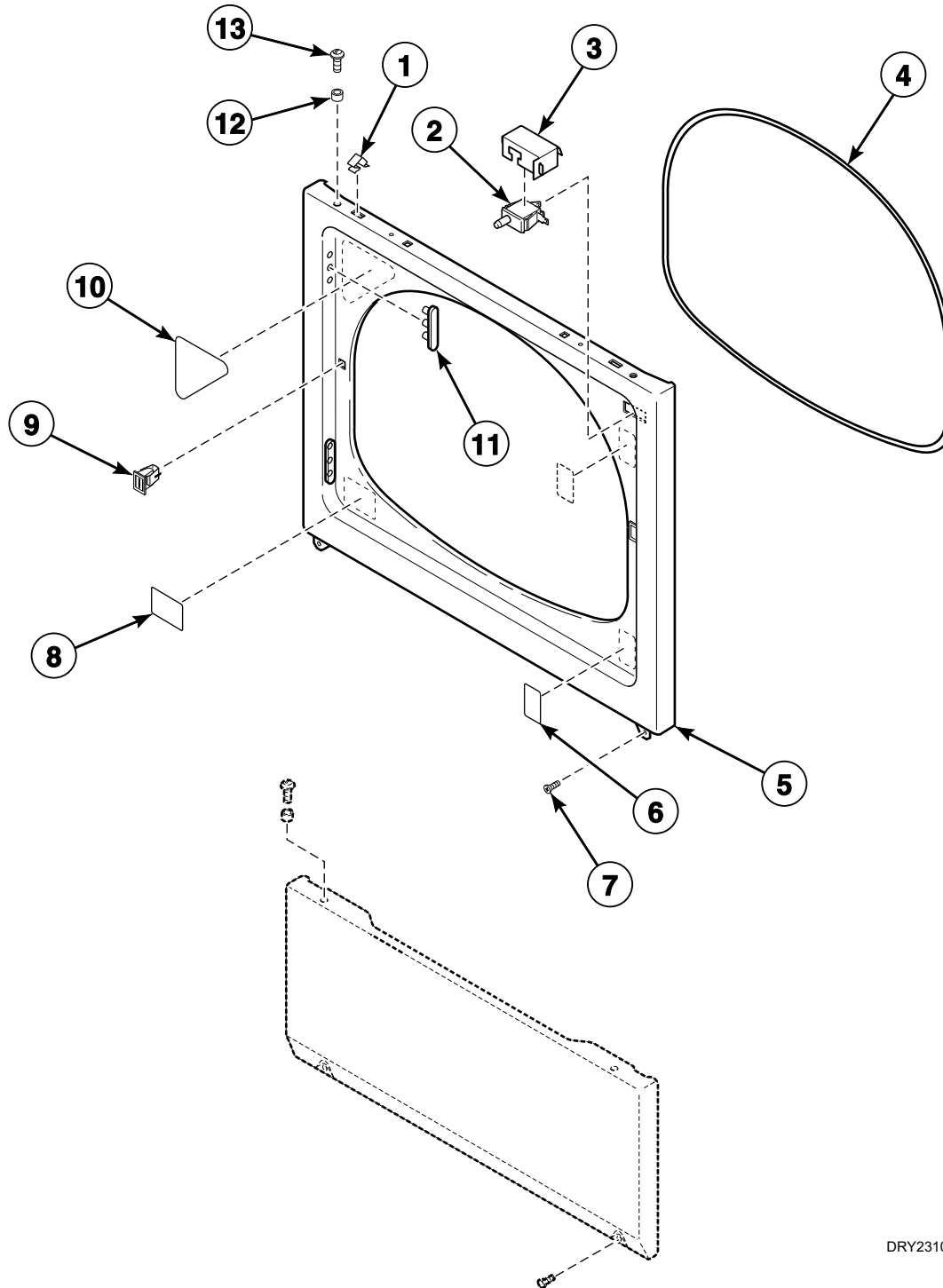


## Loading Door (Drawing 2 of 2)

REF	PART NO.	DESCRIPTION	COMMENTS
1	510127	Door Strike Mount	
2	510181	Door Strike	
3	510147P	Liner Door Seal	
4	510289	Liner, Seal and Grill Assembly	Models LDE3TRGS171CW01, LDG3TRGS111CW01, YDE3TRGS171CW01 and YDG3TRGS111CW01
	513109P	Liner, Seal and Grill Assembly	Gray; Models ADE3TRGS451LW22, BDE30FGS171CW01, LDE3TRWS541NW22, LES37A*F3300, MDE3TRWS331TW06, ZDE30RGS171CW01, ZDE3LRGS171CW01, ZDE4BFGS171CW01 and ZDE4BRGS171CW01; Models starting Serial No. 1303025315
	510163WP	Liner, Seal and Grill Assembly	Models ADE3TRGS451LW22, BDE30FGS171CW01, LDE3TRWS541NW22, LES37A*F3300, MDE3TRWS331TW06, ZDE30RGS171CW01, ZDE3LRGS171CW01, ZDE4BFGS171CW01 and ZDE4BRGS171CW01 through Serial No. 1303025314; All other models
5	514461	Screw	
6	511036	Hinge	
7	511213P	Door Pull and Wedge Kit	Black; Includes item 9; Models LEN27A*G3008, LEN27A*G4008, LEN27A*G99M3, LES28A*G4018, LGN27A*F3060 and LGN27A*M3008
	510103WP	Door Pull and Wedge Kit	White; Includes item 9; All other models
	510103LP	Door Pull and Wedge Kit	Almond; Includes item 9; All other models
	510103QP	Door Pull and Wedge Kit	Bisque; Includes item 9; All other models
8	510013WP	Dryer Door	White
	510013GP	Dryer Door	Gray
	510013LP	Dryer Door	Almond
	510013QP	Dryer Door	Bisque
9	510129	Door Handle Wedge	
	510129LG	Door Handle Wedge	Gray

\* Add Letter To Designate Color. G - Gray L - Almond Q - Bisque W - White

# Front Panel and Seal



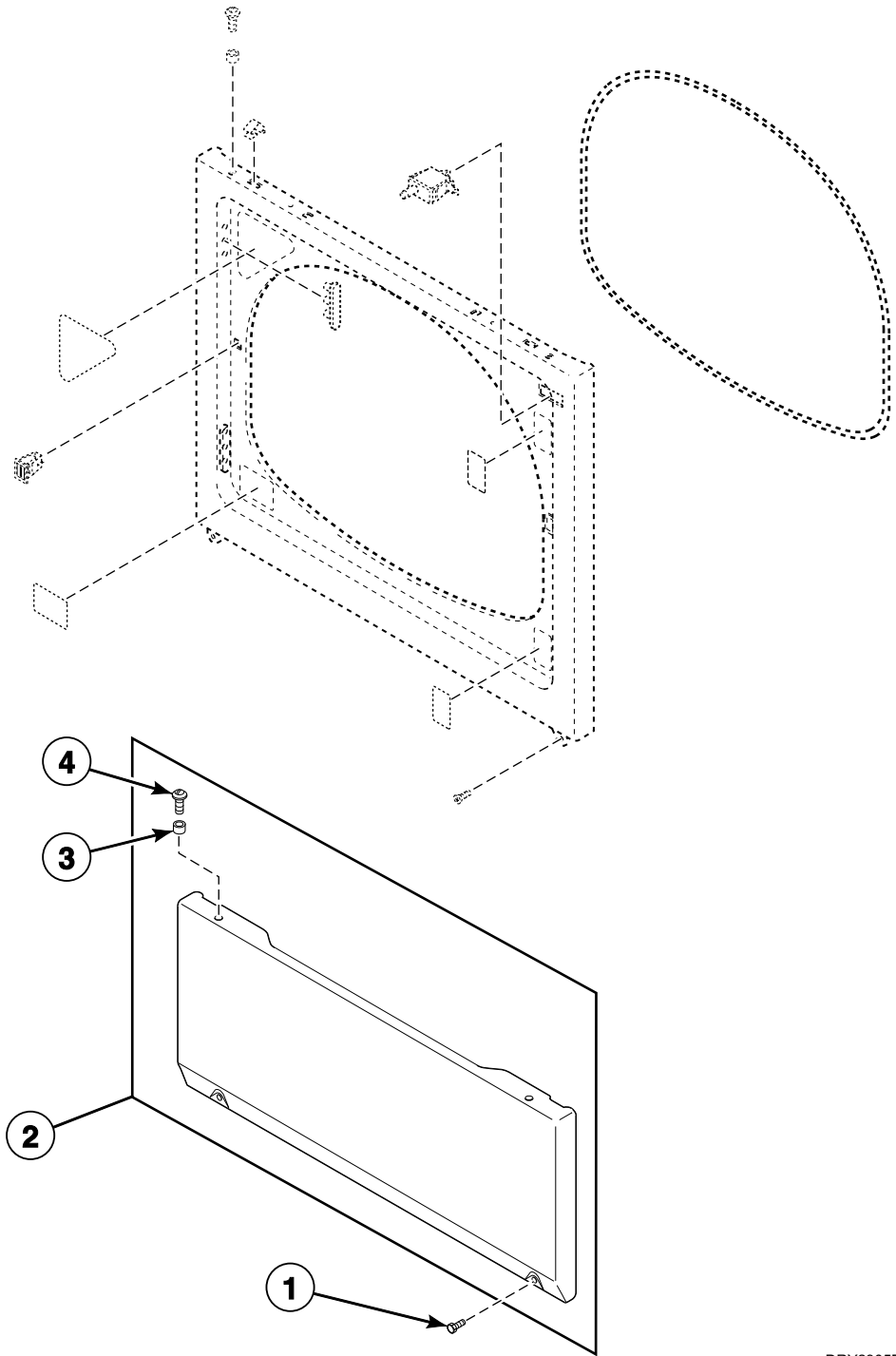
DRY2310P\_506054

## Front Panel and Seal

REF	PART NO.	DESCRIPTION	COMMENTS
1	28835	Speed Clip	All models except ADG32FSS301AN01, BDG30FGS111CW01, FEN16A*G4018, FEN17A*G3018, FEN17A*G4018, FES16A*G4018, FES17A*F3300, FES17A*F4350, FEU17A*F1702, FEZ17A*F1702, FGN16A*M3013, FGN17A*M3013, FGS17A*F3060 and FGZ17A*F1102
2	512973	Switch	
3	514327	Drip Shield	Models ADE3TRGS451LW22, ADE3TRWS431NW29 and LGN27A*F3060
4	511056	Front Panel Seal	
5	512542	Front Panel	Stainless steel; Models ADE32FSS431AN01, ADE32FSS431NN22, ADE32FSS541RN01, ADE41FSS171TN03, ADG32FSS301AN01, ADG41FSS111TN03, ZDE41FSS171CN01 and ZDG41FSS111CN01
	510066WP	Front Panel	White; All other models
	510066LP	Front Panel	Almond; All other models
	510066QP	Front Panel	Bisque; All other models
	510066GP	Front Panel	Gray; All other models
6	512263	Warning Label	Models ADE3TFWS431AW01, ADE3TRWS431AW01, ADE32FSS431AN01, ADG3TFWS301AW01, ADG3TRWS301AW01, ADG32FSS301AN01, FES17A*F4350, FGS17A*F3060, LEG37A*F4350, LEK37A*F4350, LES37A*F4350, LGG37A*F3058, LGK37A*F3058, LGK37A*F3060, LGN27A*F3060, LGS37A*F3058 and LGS37A*F3060
7	503688	Screw	
8	502804	Clean Lint Label	Models ADE3TFWS431AW01, ADE3TRWS431AW01, ADE32FSS431AN01, ADG3TFWS301AW01, ADG3TRWS301AW01, ADG32FSS301AN01, FES17A*F4350, FGS17A*F3060, LEG37A*F4350, LEK37A*F4350, LES37A*F4350, LGG37A*F3058, LGK37A*F3058, LGK37A*F3060, LGN27A*F3060, LGS37A*F3058 and LGS37A*F3060
	502781	Lint Filter Label	Models ADE3TRGS451LW22, ADE3TRWS431NW29 and LES17A*M4588
9	510177	Door Catch Assembly	
10	500253	Caution Label	French; Models ADE3TRGS451LW22, AEZ17A*F1702, AEZ28A*F1702, AEZ68A*F1702, AGZ17A*F1102, AGZ28A*F1102, AGZ68A*F1102, BDE30FGS171CW01, BDG30FGS111CW01, CDE3LRGS171CW01, CDE4BFGS171CW01, CDG3LRGS111CW01, CDG4BFGS111CW01, CEZ68A*F1702, CGZ68A*F1102, DDE30RGS173CW01, FEU17A*F1702, FEZ17A*F1702, FGZ17A*F1102, LDE3TRGS171CW01, LDG3TRGS111CW01, LEB07A*F1709, LED17A*F1700, LET57A*F1700, LET67A*F1700, LET68A*F1700, LEY47A*F1709, LEZ27A*F1502, LEZ27A*F1702, LEZ37A*F1702, LEZ57A*F1702, LEZ67A*F1702, LGT57A*F1100, LGT68A*F1100, LGY47A*F1109, LGZ27A*F1102, LGZ37A*F1102, LGZ57A*F1102, LGZ67A*F1102, YDE3TRGS171CW01, YDG3TRGS111CW01, ZDE30RGS171CW01, ZDE3LRGS171CW01, ZDE41FSS171CN01, ZDE4BFGS171CW01, ZDE4BRGS171CW01, ZDG30RGS111CW01, ZDG3LRGS111CW01, ZDG41FSS111CN01, ZDG4BFGS111CW01 and ZDG4BRGS111CW01
	505809	Warning Label	Spanish; Model LGS17A*K1180
	500281	Warning/Caution Label	English; All other models
11	510186	Hinge Hole Plug	
12	56079	Panel Locator	
13	39733	Screw	

\* Add Letter To Designate Color. G - Gray L - Almond Q - Bisque W - White

# Access Panel



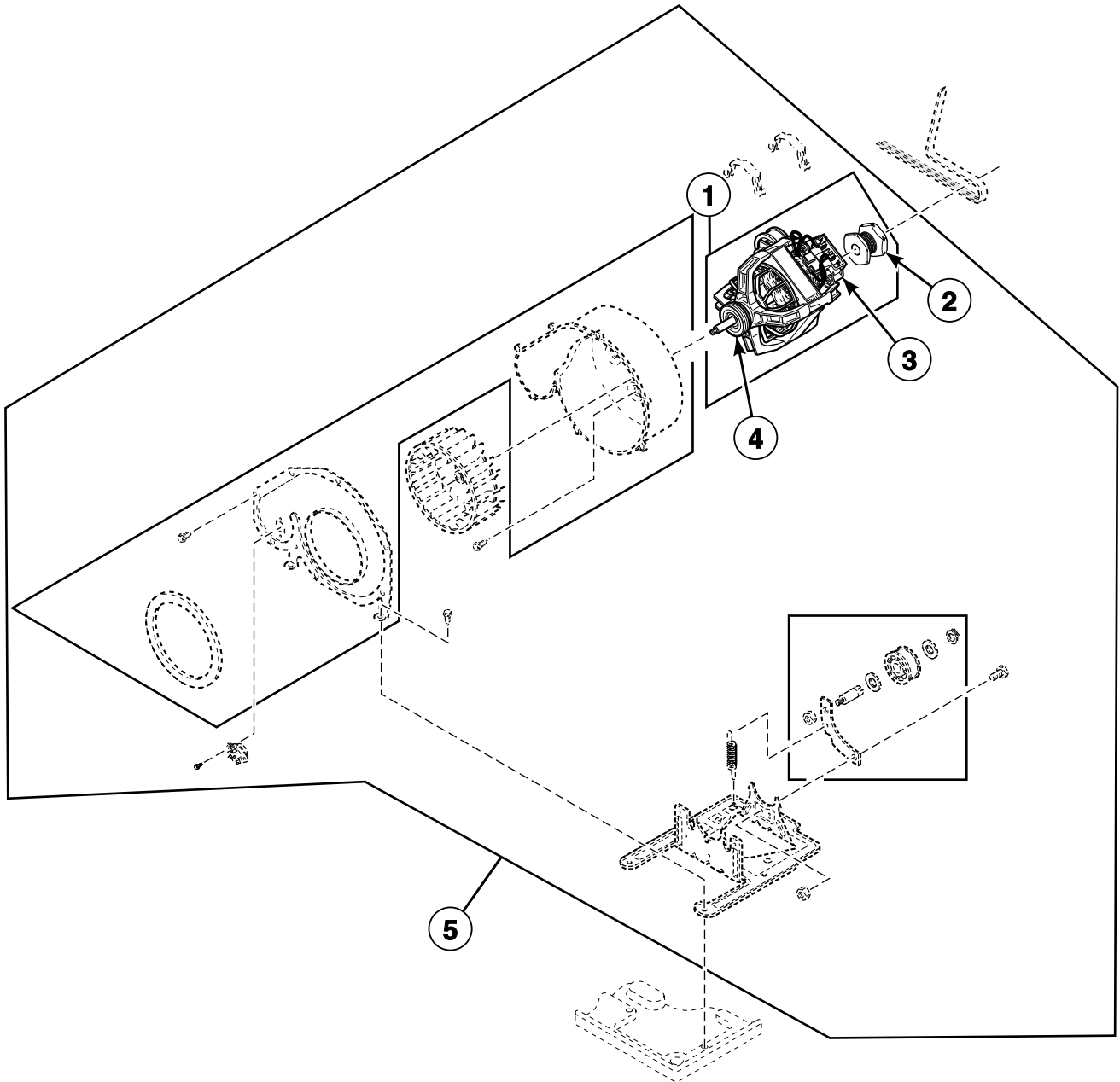
DRY2305PA\_506054

# Access Panel

REF	PART NO.	DESCRIPTION	COMMENTS
1	33562	Screw	Slotted hex head
2	514251	Access Panel Assembly	Stainless steel; Models ADE41FSS171TN03 and ZDE41FSS171CN01 through Serial No. 1303025314; Models ADE32FSS431AN01, ADE32FSS431NN22, ADE32FSS541RN01, ADG32FSS301AN01, ADG41FSS111TN03 and ZDG41FSS111CN01
	514253	Access Panel and Guard Assembly	Stainless steel; Models ADE41FSS171TN03 and ZDE41FSS171CN01 starting Serial No. 1303025315
	514252W	Access Panel and Guard Assembly	White; Models BDE30FGS171CW01, LDE3TRGS171CW01, LDE3TRWS541NW22, LDG3TRGS111CW01, LES37A*F3300, MDE3TRWS331TW06, YDE3TRGS171CW01, YDG3TRGS111CW01, ZDE30RGS171CW01, ZDE3LRGS171CW01, ZDE4BFGS171CW01 and ZDE4BRGS171CW01; Starting Serial No. 1303025315
	514250WP	Access Panel Assembly	White; Models BDE30FGS171CW01, LDE3TRWS541NW22, LES37A*F3300, MDE3TRWS331TW06, ZDE30RGS171CW01, ZDE3LRGS171CW01, ZDE4BFGS171CW01 and ZDE4BRGS171CW01 through Serial No. 1303025314; All other models
	514252Q	Access Panel and Guard Assembly	Bisque; Models BDE30FGS171CW01, LDE3TRWS541NW22, LES37A*F3300, MDE3TRWS331TW06, ZDE30RGS171CW01, ZDE3LRGS171CW01, ZDE4BFGS171CW01 and ZDE4BRGS171CW01; Starting Serial No. 1303025315
	514250Q	Access Panel Assembly	Bisque; Models BDE30FGS171CW01, LDE3TRWS541NW22, LES37A*F3300, MDE3TRWS331TW06, ZDE30RGS171CW01, ZDE3LRGS171CW01, ZDE4BFGS171CW01 and ZDE4BRGS171CW01 through Serial No. 1303025314; All other models
	510069LP	Access Panel	Almond; All models except ADE32FSS431AN01, ADE32FSS431NN22, ADE32FSS541RN01, ADE41FSS171TN03, ADG32FSS301AN01, ADG41FSS111TN03, BDE30FGS171CW01, LDE3TRWS541NW22, LES37A*F3300, MDE3TRWS331TW06, ZDE30RGS171CW01, ZDE3LRGS171CW01, ZDE41FSS171CN01, ZDE4BFGS171CW01, ZDE4BRGS171CW01 and ZDG41FSS111CN01
	514250G	Access Panel Assembly	Gray; All models except ADE32FSS431AN01, ADE32FSS431NN22, ADE32FSS541RN01, ADE41FSS171TN03, ADG32FSS301AN01, ADG41FSS111TN03, BDE30FGS171CW01, LDE3TRWS541NW22, LES37A*F3300, MDE3TRWS331TW06, ZDE30RGS171CW01, ZDE3LRGS171CW01, ZDE41FSS171CN01, ZDE4BFGS171CW01, ZDE4BRGS171CW01 and ZDG41FSS111CN01
3	56079	Panel Locator	
4	39733	Screw	

\* Add Letter To Designate Color. G - Gray L - Almond Q - Bisque W - White

# Motor, Exhaust Fan and Belt (Drawing 1 of 2)



DRY2105P\_506054

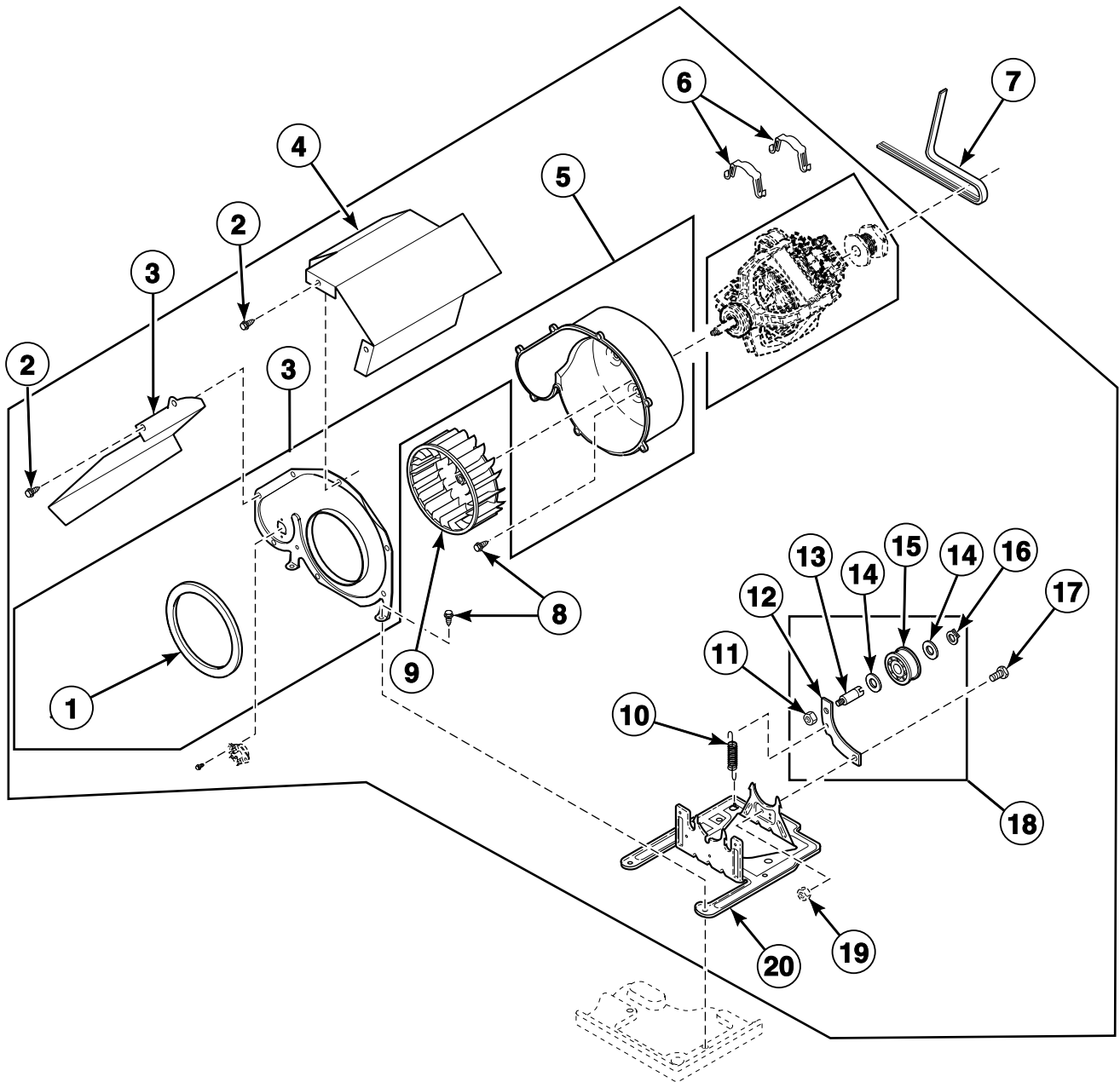
## Motor, Exhaust Fan and Belt (Drawing 1 of 2)

REF	PART NO.	DESCRIPTION	COMMENTS
	27604P	Anti-Seize Compound	Apply to motor shaft when installing blower fan assembly
1	511629P	Motor and Pulley Assembly	120 Volt/60 Hertz; Includes items 2 and 3; Apply anti-seize compound to motor shaft when installing blower fan assembly; Models ADE41FSS171TN03, ADG41FSS111TN03, AEZ17A*F1702, AEZ28A*F1702, AEZ68A*F1702, AGZ17A*F1102, AGZ28A*F1102, AGZ68A*F1102, BDE30FGS171CW01, BDG30FGS111CW01, CDE3LRGS171CW01, CDE4BFGS171CW01, CDG3LRGS111CW01, CDG4BFGS111CW01, CEZ68A*F1702, CGZ68A*F1102, FEU17A*F1702, FEZ17A*F1702, FGZ17A*F1102, LDE3TRGS171CW01, LDG3TRGS111CW01, LDG3TRWS111TW05, LEB07A*F1709, LED17A*F1700, LET57A*F1700, LET67A*F1700, LET68A*F1700, LEY47A*F1709, LEZ27A*F1502, LEZ27A*F1702, LEZ37A*F1702, LEZ57A*F1702, LEZ67A*F1702, LGH37A*F1182, LGS17A*K1180, LGT57A*F1100, LGT68A*F1100, LGY47A*F1109, LGZ27A*F1102, LGZ37A*F1102, LGZ57A*F1102, LGZ67A*F1102, MDG3TRWS111TW06, YDE3TRGS171CW01, YDG3TRGS111CW01, ZDE30RGS171CW01, ZDE3LRGS171CW01, ZDE41FSS171CN01, ZDE4BFGS171CW01, ZDE4BRGS171CW01, ZDG30RGS111CW01, ZDG3LRGS111CW01, ZDG41FSS111CN01, ZDG4BFGS111CW01 and ZDG4BRGS111CW01
	505869P	Motor and Pulley Assembly	240 Volt/60 Hertz; Includes items 2 and 3; Apply anti-seize compound to motor shaft when installing blower fan assembly; Models ADE32FSS541RN01, FES17A*F3300, LDE3TRWS331TW05, LDE3TRWS541NW22, LEH37A*F3300, LES37A*F3300, LES37A*F3327, LES37A*F5412, LEZ37A*F3300, LGH37A*F5423, LGS37A*F5412, LGS37A*F5423 and MDE3TRWS331TW06
	505843P	Motor and Pulley Assembly	240 Volt/50 Hertz; Includes items 2 and 3; Apply anti-seize compound to motor shaft when installing blower fan assembly; All other models
2	500011	Motor Pulley	60 Hertz; Use with 511629P, 505869P or 511574 Motor and Pulley Assemblies; Models ADE32FSS541RN01, ADE41FSS171TN03, ADG41FSS111TN03, AEZ17A*F1702, AEZ28A*F1702, AEZ68A*F1702, AGZ17A*F1102, AGZ28A*F1102, AGZ68A*F1102, BDE30FGS171CW01, BDG30FGS111CW01, CDE3LRGS171CW01, CDE4BFGS171CW01, CDG3LRGS111CW01, CDG4BFGS111CW01, CEZ68A*F1702, CGZ68A*F1102, FES17A*F3300, FEU17A*F1702, FEZ17A*F1702, FGZ17A*F1102, LDE3TRGS171CW01, LDE3TRWS331TW05, LDE3TRWS541NW22, LDG3TRGS111CW01, LDG3TRWS111TW05, LEB07A*F1709, LED17A*F1700, LEH37A*F3300, LES37A*F3300, LES37A*F3327, LES37A*F5412, LET57A*F1700, LET67A*F1700, LET68A*F1700, LEY47A*F1709, LEZ27A*F1502, LEZ27A*F1702, LEZ37A*F1702, LEZ57A*F1702, LEZ67A*F1702, LGH37A*F1182, LGH37A*F5423, LGS17A*K1180, LGS37A*F5412, LGS37A*F5423, LGT57A*F1100, LGT68A*F1100, LGY47A*F1109, LGZ27A*F1102, LGZ37A*F1102, LGZ57A*F1102, LGZ67A*F1102, MDE3TRWS331TW06, MDG3TRWS111TW06, YDE3TRGS171CW01, YDG3TRGS111CW01, ZDE30RGS171CW01, ZDE3LRGS171CW01, ZDE41FSS171CN01, ZDE4BFGS171CW01, ZDE4BRGS171CW01, ZDG30RGS111CW01, ZDG3LRGS111CW01, ZDG41FSS111CN01, ZDG4BFGS111CW01 and ZDG4BRGS111CW01
	500222	Motor Pulley	50 Hertz; Use with 505843P Motor and Pulley Assembly; All other models
3	N/A	Motor Switch Kit	Does not include thermal protector
4	590P3	Motor Hub Ring Kit	
5	510717P	Blower and Fan Kit	120 Volt/60 Hertz; Includes items 1-4, and 1-4 and 6-18 on <i>Motor, Exhaust Fan and Belt (Drawing 2 of 2)</i> ; For models that use 511629P or 511574 Motor and Pulley Assemblies

\* Add Letter To Designate Color. G - Gray L - Almond Q - Bisque W - White

N/A = Part no longer available

# Motor, Exhaust Fan and Belt (Drawing 2 of 2)



DRY2312P\_506054

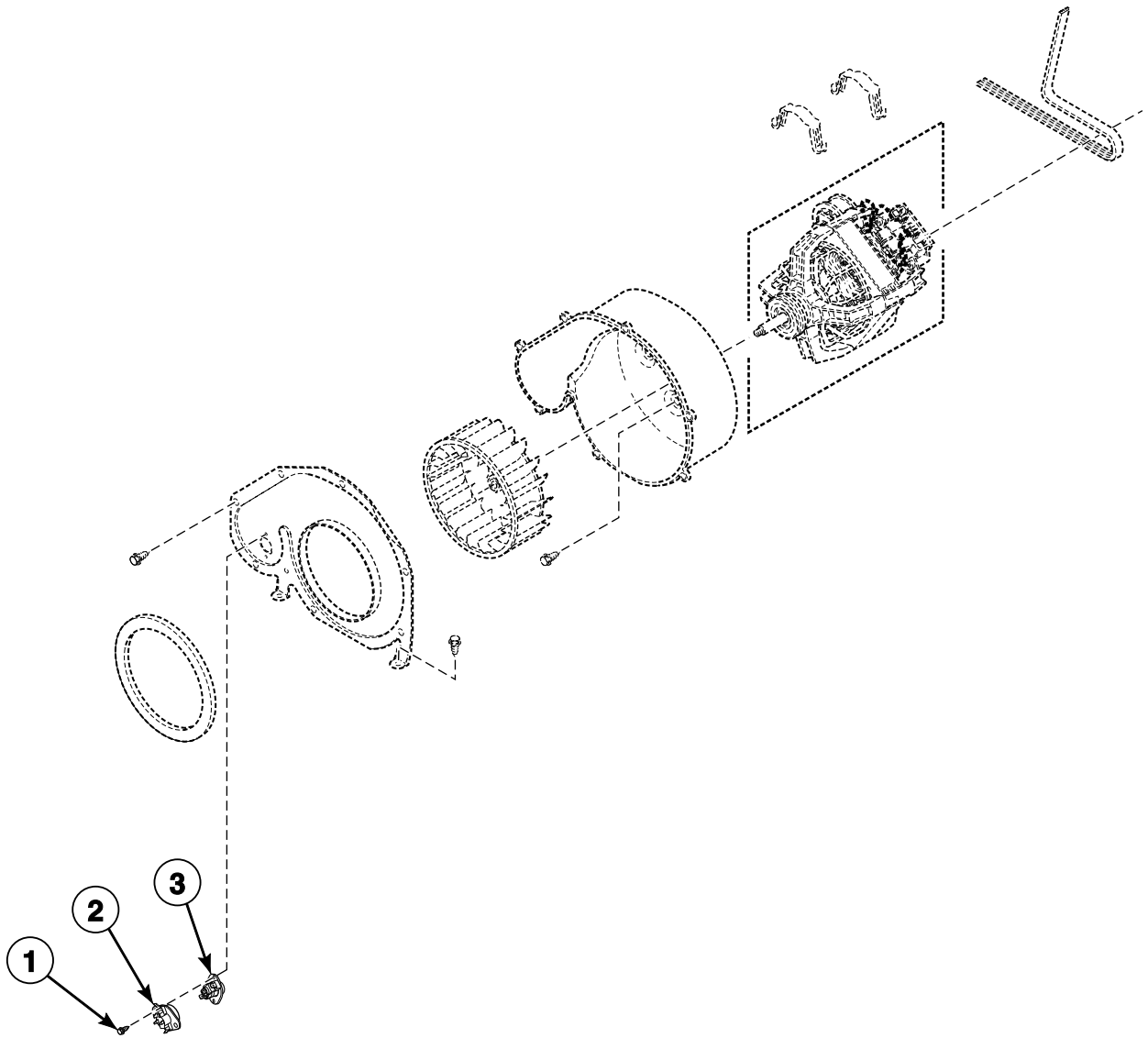


## Motor, Exhaust Fan and Belt (Drawing 2 of 2)

REF	PART NO.	DESCRIPTION	COMMENTS
	27604P	Anti-Seize Compound	Apply to motor shaft when installing blower fan assembly
1	510238P	Blower Housing Seal	
2	31260	Screw	
3	514325	Thermostat Shield	Models ADE3TRWS431NW29, LEZ37A*F3300 and LGN27A*F3060
4	514602	Motor Shield	Models ADE3TRWS431NW29, LEZ37A*F3300 and LGN27A*F3060
5	511969WP	Blower Housing	Includes items 1 and 2
	511969LG	Blower Housing	Includes items 1 and 2
6	510180	Motor Mount Clamp	
7	511255P	Cylinder Belt	
8	503688	Screw	
9	510139P	Blower Fan Assembly	Apply anti-seize compound to motor shaft when installing blower fan assembly
10	510185	Idler Spring	
11	56156	Nut	
12	510133	Idler Lever	
13	56461P	Shaft	
14	52549	Washer	
15	510142P	Idler Wheel and Bearing Assembly	
16	23748	Retaining Ring	
17	500824	Screw	
18	510158	Idler Lever and Wheel Assembly	Includes items 11-16
19	52566	Nut	
20	510060	Motor Mount	

\* Add Letter To Designate Color. G - Gray L - Almond Q - Bisque W - White

# Thermostat



DRY1850P\_506054

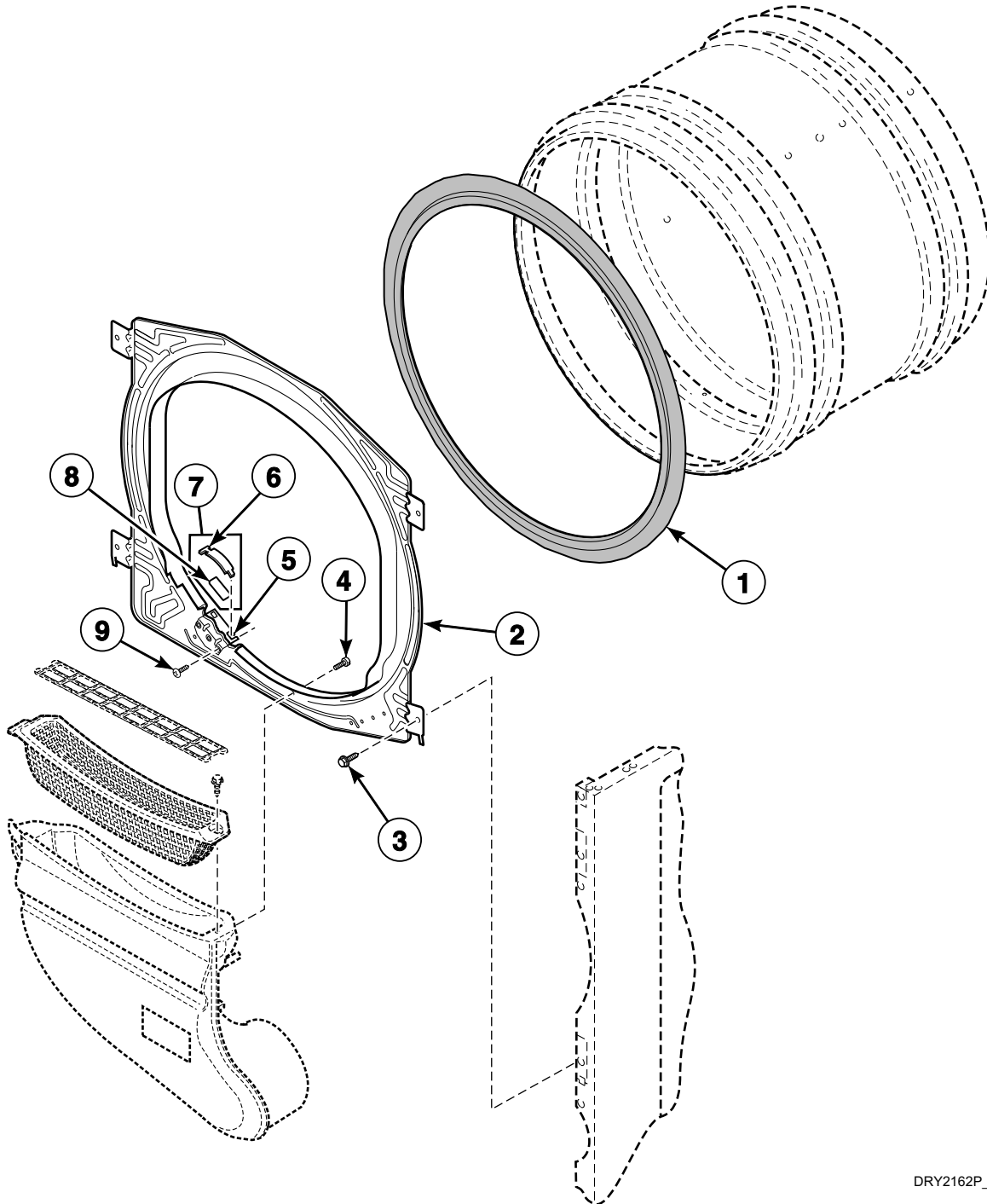
# Thermostat

REF	PART NO.	DESCRIPTION	COMMENTS
1	502535	Screw	
2	504515	Thermostat	Green; Models ADE41FSS171TN03, AEZ17A*F1702, AEZ28A*F1702, AEZ68A*F1702, BDE30FGS171CW01, CDE3LRGS171CW01, CDE4BFGS171CW01, CEZ68A*F1702, DDE30RGS173CW01, FEU17A*F1702, FEZ17A*F1702, LDE3TRGS171CW01, LED17A*F1700, LET57A*F1700, LET67A*F1700, LET68A*F1700, LEZ27A*F1502, LEZ27A*F1702, LEZ37A*F1702, LEZ57A*F1702, LEZ67A*F1702, YDE3TRGS171CW01, ZDE30RGS171CW01, ZDE3LRGS171CW01, ZDE41FSS171CN01, ZDE4BFGS171CW01 and ZDE4BRGS171CW01
	504519	Thermostat	Gray; Models LGS37A*G3013, LGS37A*G3080 and LGZ37A*G3013
	504520	Thermostat	Pink; Model LES33A*F4562
	504521	Thermostat	Yellow/White; Model LES33A*F4562
	510700	Limit Thermostat	Blue; Model ADE3TRGS451LW22
	510707P	Thermostat	Pink/White; Models ADG41FSS111TN03, AGZ17A*F1102, AGZ28A*F1102, AGZ68A*F1102, BDG30FGS111CW01, CDG3LRGS111CW01, CDG4BFGS111CW01, CGZ68A*F1102, FGZ17A*F1102, LDG3TRGS111CW01, LDG3TRWS111TW05, LGH37A*F1182, LGS17A*K1180, LGT57A*F1100, LGT68A*F1100, LGZ27A*F1102, LGZ37A*F1102, LGZ57A*F1102, LGZ67A*F1102, MDG3TRWS111TW06, YDG3TRGS111CW01, ZDG30RGS111CW01, ZDG3LRGS111CW01, ZDG41FSS111CN01, ZDG4BFGS111CW01 and ZDG4BRGS111CW01
	511957	Thermostat	White; All other models
3	M411941	Manual Reset Thermostat	Models ADG3TFWS301AW01, ADG3TRWS301AW01, ADG32FSS301AN01, FGS17A*F3060, LGK37A*F3060, LGN27A*F3060 and LGS37A*F3060

\* Add Letter To Designate Color. G - Gray L - Almond Q - Bisque W - White

## Front Bulkhead and Seal - Without Light

All Models Except ADE32FSS431AN01, ADE32FSS431NN22, ADE32FSS541RN01, ADE41FSS171TN03, ADG32FSS301AN01, ADG41FSS111TN03, AEZ28A\*F1702, AEZ68A\*F1702, AGZ28A\*F1102, AGZ68A\*F1102, CDE3LRGS171CW01, CDE4BFGS171CW01, CDG3LRGS111CW01, CDG4BFGS111CW01, CEZ68A\*F1702, CGZ68A\*F1102, LDE3TRGS171CW01, LDG3TRGS111CW01, LES28A\*G4018, LET57A\*F1700, LET67A\*F1700, LET68A\*F1700, LEY47A\*F1709, LEZ57A\*F1702, LEZ67A\*F1702, LGS38A\*M3013, LGS38A\*M3020, LGS40A\*M3020, LGT57A\*F1100, LGT68A\*F1100, LGY47A\*F1109, LGZ57A\*F1102, LGZ67A\*F1102, YDE3TRGS171CW01, YDG3TRGS111CW01, ZDE3LRGS171CW01, ZDE41FSS171CN01, ZDE4BFGS171CW01, ZDE4BRGS171CW01, ZDG3LRGS111CW01, ZDG41FSS111CN01, ZDG4BFGS111CW01 and ZDG4BRGS111CW01



DRY2162P\_506054

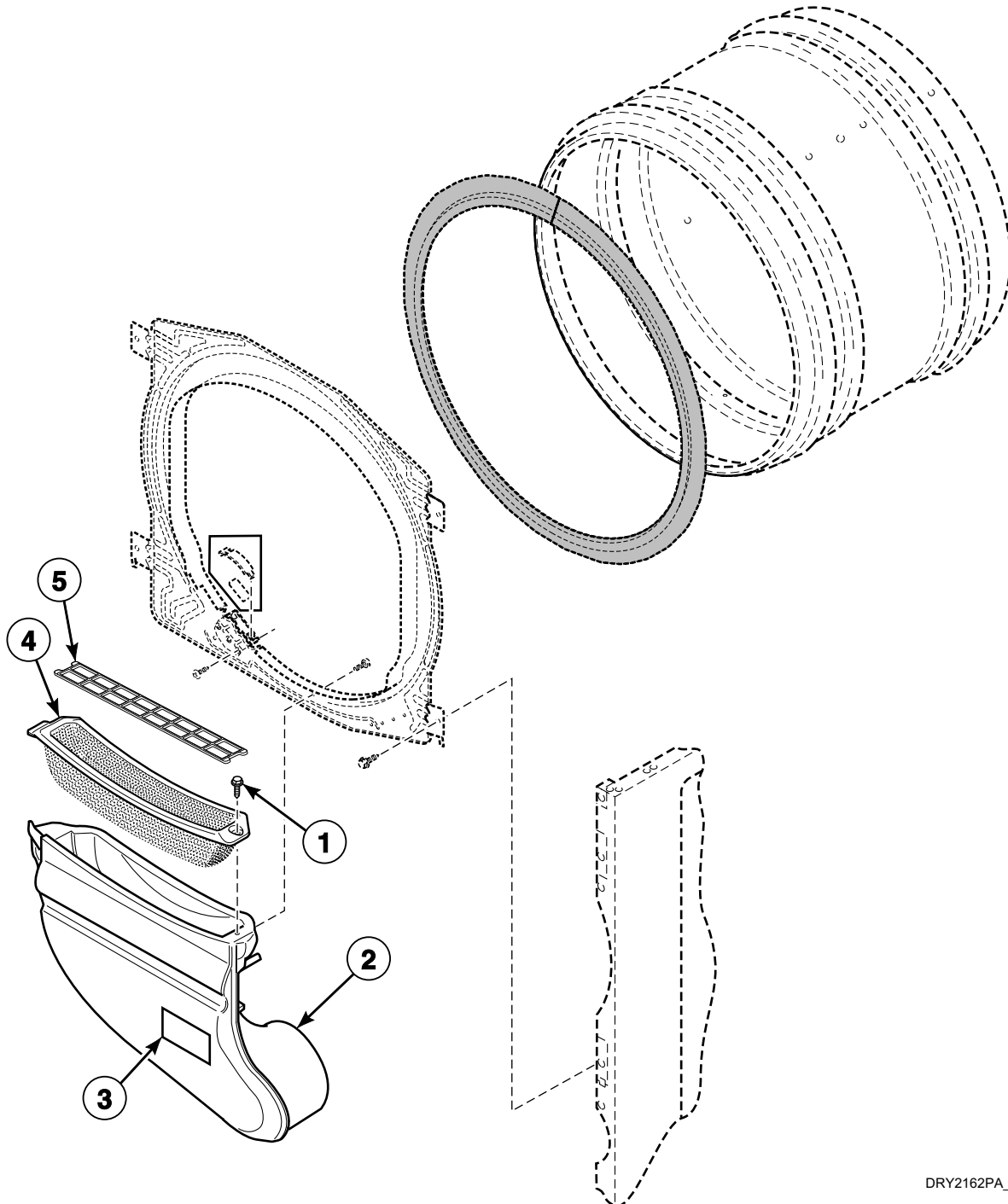
## Front Bulkhead and Seal - Without Light

REF	PART NO.	DESCRIPTION	COMMENTS
1	510207P	Cylinder Seal Assembly	
	511637P	Adhesive	For cylinder seal
	RB170001	Seal Kit	Includes 2 cylinder seals, 510238P Blower Housing Seal and 511637P Adhesive
2	510266P	Front Bulkhead Assembly	Unpainted; Includes items 2 and 9-12; Models AEZ17A*F1702, AGZ17A*F1102, BDE30FGS171CW01, BDG30FGS111CW01, DDE30RGS173CW01, FDE3TRGS401NW22, FEN16A*G4018, FEN17A*G3018, FEN17A*G4018, FES16A*G4018, FES17A*F3300, FES17A*F4350, FEU17A*F1702, FEZ17A*F1702, FGN16A*M3013, FGN17A*M3013, FGS17A*F3060, FGZ17A*F1102, LED17A*F1700, LEN27A*G3008, LEN27A*G3018, LEN27A*G4008, LEN27A*G4018, LEN27A*G99M3, LES17A*F3000, LES17A*F3007, LES17A*F3022, LES17A*F4500, LES17A*M4588, LES27A*G3018, LES27A*G4000, LES27A*G4500, LES27A*G4518, LES27A*G4018, LEZ27A*F1502, LEZ27A*F1702, LEZ27A*G3018, LEZ27A*G4018, LGN27A*F3060, LGN27A*M3008, LGN27A*M3013, LGS17A*F3020, LGS17A*F3081, LGS17A*K1180, LGS17A*M3020, LGS17A*M3082, LGS27A*M3013, LGS27A*M3080, LGZ27A*F1102 and LGZ27A*M3013; Models ZDE30RGS171CW01 and ZDG30RGS111CW01 except if black marks appear on clothes, replace front bulkhead with 511033WP Front Bulkhead Assembly, cylinder with 510159WP Cylinder Assembly and rear bulkhead with 510905WP Rear Bulkhead Assembly
	510061	Front Bulkhead Assembly	Model ADE3TRGS451LW22
	511033WP	Front Bulkhead Assembly	White; Includes items 2 and 9-12; All other models
3	503688	Screw	
4	514461	Screw	
5	510145	Cylinder Glide Bracket	
6	513710	Cylinder Glide	
7	RB170003	Glide Kit	Includes items 9 and 10
8	510189	Felt Pad	
9	52864	Screw	

\* Add Letter To Designate Color. G - Gray L - Almond Q - Bisque W - White

## Air Duct - Without Front Bulkhead Light

All Models Except ADE3TRGS451LW22, ADE32FSS431AN01, ADE32FSS431NN22, ADE32FSS541RN01, ADE41FSS171TN03, ADG32FSS301AN01, ADG41FSS111TN03, AEZ28A\*F1702, AEZ68A\*F1702, AGZ28A\*F1102, AGZ68A\*F1102, CDE3LRGS171CW01, CDE4BFGS171CW01, CDG3LRGS111CW01, CDG4BFGS111CW01, CEZ68A\*F1702, CGZ68A\*F1102, LES28A\*G4018, LET57A\*F1700, LET67A\*F1700, LET68A\*F1700, LEY47A\*F1709, LEZ57A\*F1702, LEZ67A\*F1702, LGS38A\*M3013, LGS38A\*M3020, LGS40A\*M3020, LGT57A\*F1100, LGT68A\*F1100, LGY47A\*F1109, LGZ57A\*F1102, LGZ67A\*F1102, ZDE3LRGS171CW01, ZDE41FSS171CN01, ZDE4BFGS171CW01, ZDE4BRGS171CW01, ZDG3LRGS111CW01, ZDG41FSS111CN01, ZDG4BFGS111CW01 and ZDG4BRGS111CW01



DRY2162PA\_506054

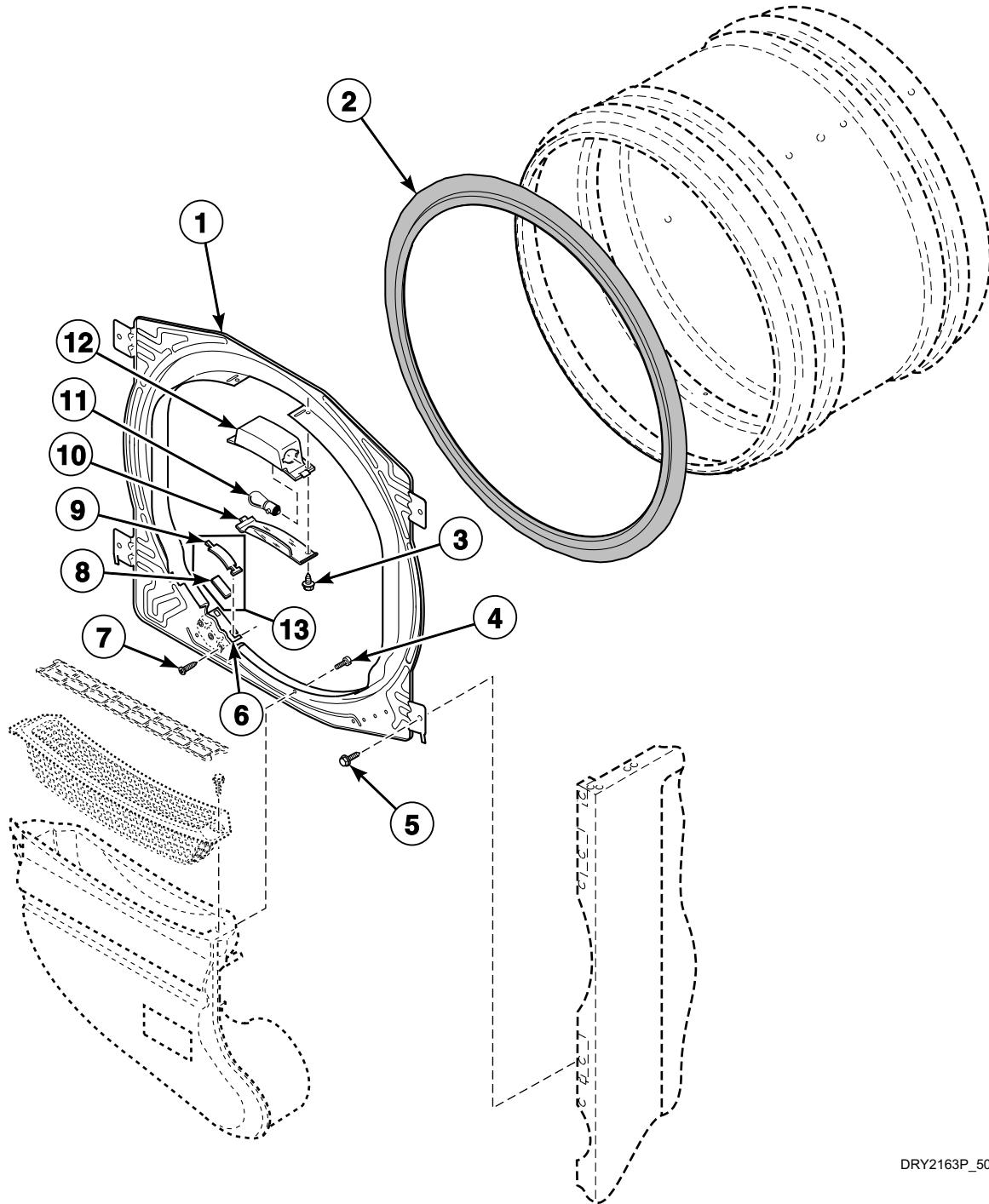
## Air Duct - Without Front Bulkhead Light

REF	PART NO.	DESCRIPTION	COMMENTS
1	501285	Screw	
2	510151LG	Air Duct Assembly	Models BDE30FGS171CW01, LDE3TRGS171CW01, LDE3TRWS541NW22, LDG3TRGS111CW01, LES37A*F3300, MDE3TRWS331TW06, YDE3TRGS171CW01, YDG3TRGS111CW01 and ZDE30RGS171CW01; Models starting Serial No. 1303025315
	510151W	Air Duct Assembly	Models BDE30FGS171CW01, LDE3TRWS541NW22, LES37A*F3300, MDE3TRWS331TW06 and ZDE30RGS171CW01 through Serial No. 1303025314; All other models
3	500314	Warning Label	Models AEZ17A*F1702, AGZ17A*F1102, BDE30FGS171CW01, BDG30FGS111CW01, FEU17A*F1702, FEZ17A*F1702, FGZ17A*F1102, LEB07A*F1709, LED17A*F1700, LEZ27A*F1502, LEZ27A*F1702, LEZ37A*F1702, LGZ27A*F1102, LGZ37A*F1102, ZDE30RGS171CW01 and ZDG30RGS111CW01
	502506	Pinched Fingers Label	Model LES17A*M4588
4	503980LG	Lint Filter	Models BDE30FGS171CW01, LDE3TRGS171CW01, LDE3TRWS541NW22, LDG3TRGS111CW01, LED17A*F1700, LES37A*F3300, MDE3TRWS331TW06, YDE3TRGS171CW01, YDG3TRGS111CW01 and ZDE30RGS171CW01; Models starting Serial No. 1303025315
	503980W	Lint Filter	Models BDE30FGS171CW01, LDE3TRWS541NW22, LED17A*F1700, LES37A*F3300, MDE3TRWS331TW06 and ZDE30RGS171CW01 through Serial No. 1303025314; All other models
5	510502LG	Lint Filter Cover	Models BDE30FGS171CW01, LDE3TRWS541NW22, LED17A*F1700, LES37A*F3300, MDE3TRWS331TW06 and ZDE30RGS171CW01; Models starting Serial No. 1303025315
	510502W	Lint Filter Cover	Models BDE30FGS171CW01, LDE3TRWS541NW22, LED17A*F1700, LES37A*F3300, MDE3TRWS331TW06 and ZDE30RGS171CW01 through Serial No. 1303025314; All other models

\* Add Letter To Designate Color. G - Gray L - Almond Q - Bisque W - White

# Front Bulkhead and Seal - With Light

Models ADE32FSS431AN01, ADE32FSS431NN22, ADE32FSS541RN01, ADE41FSS171TN03, ADG32FSS301AN01, ADG41FSS111TN03, AEZ28A\*F1702, AEZ68A\*F1702, AGZ28A\*F1102, AGZ68A\*F1102, CDE3LRGS171CW01, CDE4BFGS171CW01, CDG3LRGS111CW01, CDG4BFGS111CW01, CEZ68A\*F1702, CGZ68A\*F1102, LES28A\*G4018, LET57A\*F1700, LET67A\*F1700, LET68A\*F1700, LEY47A\*F1709, LEZ57A\*F1702, LEZ67A\*F1702, LGS38A\*M3013, LGS38A\*M3020, LGS40A\*M3020, LGT57A\*F1100, LGT68A\*F1100, LGY47A\*F1109, LGZ57A\*F1102, LGZ67A\*F1102, ZDE3LRGS171CW01, ZDE41FSS171CN01, ZDE4BFGS171CW01, ZDE4BRGS171CW01, ZDG3LRGS111CW01, ZDG41FSS111CN01, ZDG4BFGS111CW01 and ZDG4BRGS111CW01



DRY2163P\_506054



## Front Bulkhead and Seal - With Light

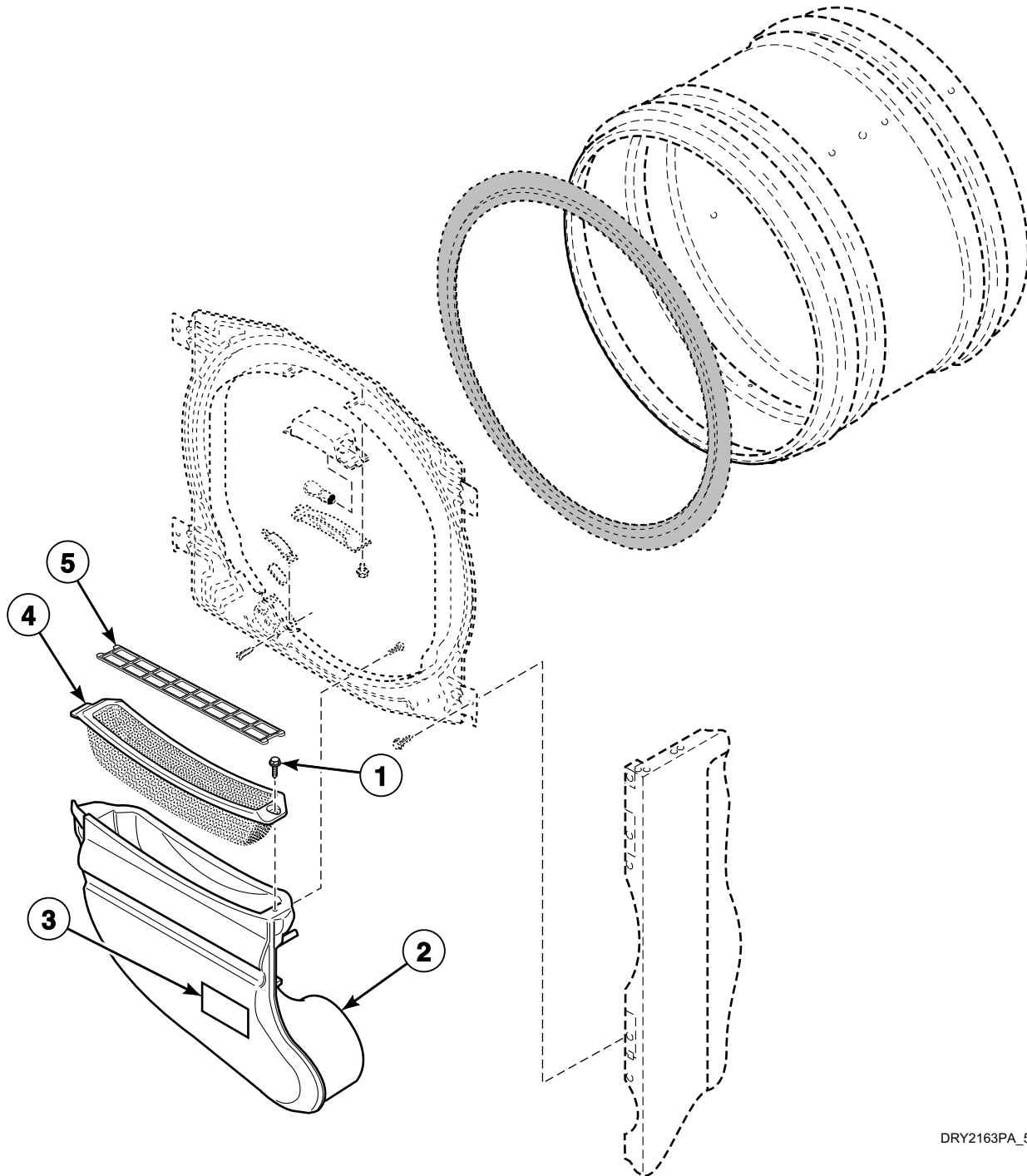
REF	PART NO.	DESCRIPTION	COMMENTS
1	512476	Front Bulkhead Assembly	Galvanized; Includes items 2, 3, and 5-12; 240 Volt Cylinder Light Assembly and Lamp must be ordered separately; Drum Light Lens must be ordered separately for model LES28A*G4018; Models ADE41FSS171TN03, ADG41FSS111TN03, AEZ28A*F1702, AEZ68A*F1702, AGZ28A*F1102, AGZ68A*F1102, CDE3LRGS171CW01, CDE4BFGS171CW01, CDG3LRGS111CW01, CDG4BFGS111CW01, CEZ68A*F1702, CGZ68A*F1102, LES28A*G4018, ZDE3LRGS171CW01, ZDE41FSS171CN01, ZDE4BFGS171CW01, ZDE4BRGS171CW01, ZDG3LRGS111CW01, ZDG41FSS111CN01, ZDG4BFGS111CW01 and ZDG4BRGS111CW01
	505899WP	Bulkhead Assembly	Painted; Includes items 2, 3, and 5-12; Models ZDE3LRGS171CW01, ZDE41FSS171CN01, ZDE4BFGS171CW01, ZDE4BRGS171CW01, ZDG3LRGS111CW01, ZDG41FSS111CN01, ZDG4BFGS111CW01 and ZDG4BRGS111CW01 if black marks appear on clothes replace front bulkhead with this part, cylinder with 510159WP Cylinder Assembly and rear bulkhead with 510905WP Rear Bulkhead Assembly; Models ADE32FSS431AN01, ADE32FSS431NN22, ADE32FSS541RN01, ADG32FSS301AN01, LET57A*F1700, LET67A*F1700, LET68A*F1700, LEY47A*F1709, LEZ57A*F1702, LEZ67A*F1702, LGS38A*M3013, LGS38A*M3020, LGS40A*M3020, LGT57A*F1100, LGT68A*F1100, LGY47A*F1109, LGZ57A*F1102 and LGZ67A*F1102
2	510207P	Cylinder Seal Assembly	
	511637P	Adhesive	For cylinder seal
	RB170001	Seal Kit	Includes 2 cylinder seals, 510238P Blower Housing Seal and 511637P Adhesive
3	500227	Screw	
4	514461	Screw	
5	503688	Screw	
6	510145	Cylinder Glide Bracket	
7	501086	Screw	
8	510189	Felt Pad	
9	513710	Cylinder Glide	
10	512106	Cylinder Light Lens	
11	503579	Drum Light Lamp	240 Volt; Models ADE32FSS431AN01, ADE32FSS431NN22, ADE32FSS541RN01, ADG32FSS301AN01, LES28A*G4018, LGS38A*M3013, LGS38A*M3020 and LGS40A*M3020
	60954	Drum Light Lamp	120 Volt; All other models
12	512109	Cylinder Light Assembly	240 Volt; Models ADE32FSS431AN01, ADE32FSS431NN22, ADE32FSS541RN01, ADG32FSS301AN01, LES28A*G4018, LGS38A*M3013, LGS38A*M3020 and LGS40A*M3020
	512108	Light Housing Assembly	120 Volt; Includes lamp; All other models
13	RB170003	Glide Kit	Includes items 8 and 9

\* Add Letter To Designate Color. G - Gray L - Almond Q - Bisque W - White

N/A = Part no longer available

# Air Duct

Models ADE32FSS431AN01, ADE32FSS431NN22, ADE32FSS541RN01, ADE41FSS171TN03, ADG32FSS301AN01, ADG41FSS111TN03, AEZ28A\*F1702, AEZ68A\*F1702, AGZ28A\*F1102, AGZ68A\*F1102, CDE3LRGS171CW01, CDE4BFGS171CW01, CDG3LRGS111CW01, CDG4BFGS111CW01, CEZ68A\*F1702, CGZ68A\*F1102, LES28A\*G4018, LET57A\*F1700, LET67A\*F1700, LET68A\*F1700, LEY47A\*F1709, LEZ57A\*F1702, LEZ67A\*F1702, LGS38A\*M3013, LGS38A\*M3020, LGS40A\*M3020, LGT57A\*F1100, LGT68A\*F1100, LGY47A\*F1109, LGZ57A\*F1102, LGZ67A\*F1102, ZDE3LRGS171CW01, ZDE41FSS171CN01, ZDE4BFGS171CW01, ZDE4BRGS171CW01, ZDG3LRGS111CW01, ZDG41FSS111CN01, ZDG4BFGS111CW01 and ZDG4BRGS111CW01



DRY2163PA\_506054

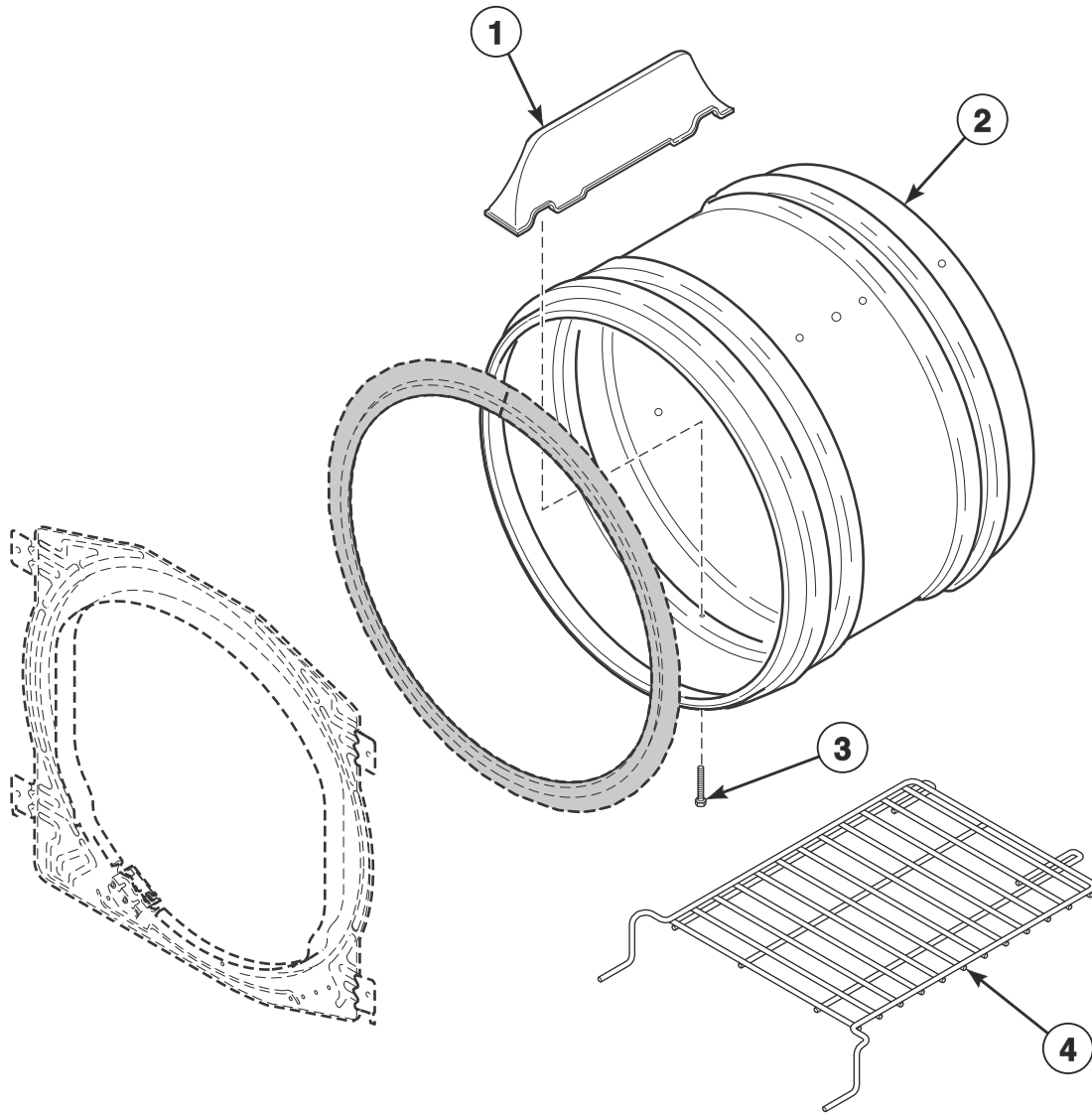
# Air Duct

REF	PART NO.	DESCRIPTION	COMMENTS
1	501285	Screw	
2	510151LG	Air Duct Assembly	Models ZDE3LRGS171CW01, ZDE4BFGS171CW01 and ZDE4BRGS171CW01 starting Serial No. 1303025315; Models ADE32FSS431AN01, ADE32FSS431NN22, ADE32FSS541RN01, ADE41FSS171TN03, ADG32FSS301AN01, ADG41FSS111TN03, ZDE41FSS171CN01 and ZDG41FSS111CN01
	510151W	Air Duct Assembly	Models ZDE3LRGS171CW01, ZDE4BFGS171CW01 and ZDE4BRGS171CW01 through Serial No. 1303025314; All other models
3	500314	Warning Label	Models AEZ28A*F1702, AEZ68A*F1702, AGZ28A*F1102, AGZ68A*F1102, CDE3LRGS171CW01, CDE4BFGS171CW01, CDG3LRGS111CW01, CDG4BFGS111CW01, CEZ68A*F1702, CGZ68A*F1102, LET57A*F1700, LET67A*F1700, LET68A*F1700, LEY47A*F1709, LEZ57A*F1702, LEZ67A*F1702, LGT57A*F1100, LGT68A*F1100, LGY47A*F1109, LGZ57A*F1102, LGZ67A*F1102, ZDE3LRGS171CW01, ZDE41FSS171CN01, ZDE4BFGS171CW01, ZDE4BRGS171CW01, ZDG3LRGS111CW01, ZDG41FSS111CN01, ZDG4BFGS111CW01 and ZDG4BRGS111CW01
4	503980LG	Lint Filter	Light gray; Models ZDE3LRGS171CW01, ZDE4BFGS171CW01 and ZDE4BRGS171CW01 starting Serial No. 1303025315; Models ADE32FSS431AN01, ADE32FSS431NN22, ADE32FSS541RN01, ADE41FSS171TN03, ADG32FSS301AN01, ADG41FSS111TN03, ZDE41FSS171CN01 and ZDG41FSS111CN01
	503980W	Lint Filter	Models ZDE3LRGS171CW01, ZDE4BFGS171CW01 and ZDE4BRGS171CW01 through Serial No. 1303025314; All other models
5	510502LG	Lint Filter Cover	Models ADE41FSS171TN03, ZDE3LRGS171CW01, ZDE41FSS171CN01, ZDE4BFGS171CW01 and ZDE4BRGS171CW01; Models starting Serial No. 1303025315
	510502W	Lint Filter Cover	Models ADE41FSS171TN03, ZDE3LRGS171CW01, ZDE41FSS171CN01, ZDE4BFGS171CW01 and ZDE4BRGS171CW01 through Serial No. 1303025314; All other models

\* Add Letter To Designate Color. G - Gray L - Almond Q - Bisque W - White

N/A = Part no longer available

# Cylinder, Baffles and Drying Rack



DRY2161P\_506054

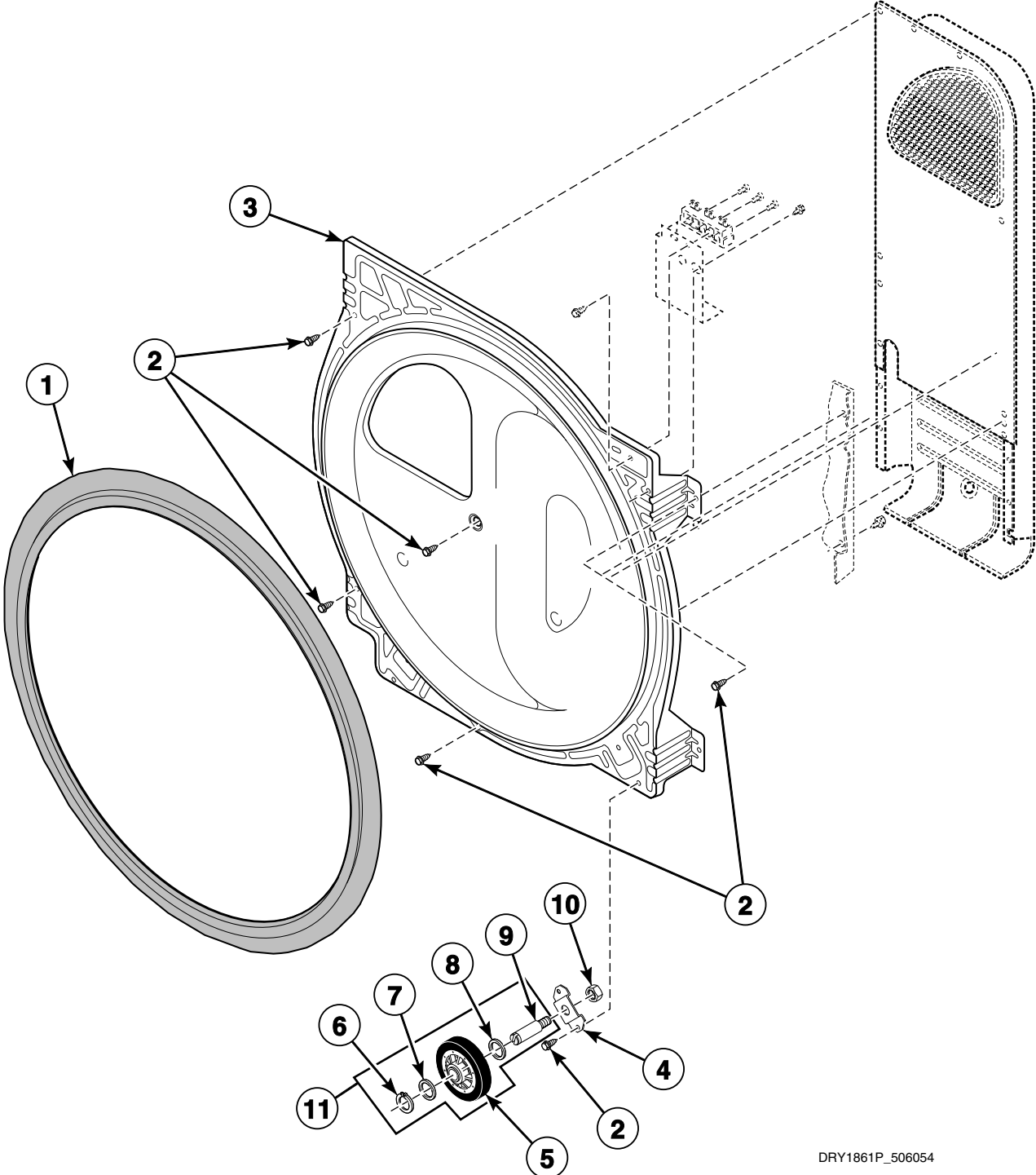
## Cylinder, Baffles and Drying Rack

REF	PART NO.	DESCRIPTION	COMMENTS
1	510102LG	Cylinder Baffle	3 required; Light gray; Models BDE30FGS171CW01, LDE3TRWS541NW22, LES37A*F3300, MDE3TRWS331TW06, ZDE30RGS171CW01, ZDE3LRGS171CW01, ZDE4BFGS171CW01 and ZDE4BRGS171CW01 starting Serial No. 1303025315; Models ADE3TRGS451LW22, ADE32FSS431AN01, ADE32FSS431NN22, ADE32FSS541RN01, ADE41FSS171TN03, ADG32FSS301AN01, ADG41FSS111TN03, ZDE41FSS171CN01 and ZDG41FSS111CN01
	510102W	Cylinder Baffle	Models BDE30FGS171CW01, LES37A*F3300, MDE3TRWS331TW06, ZDE30RGS171CW01, ZDE3LRGS171CW01, ZDE4BFGS171CW01 and ZDE4BRGS171CW01 through Serial No. 1303025314; All other models
2	510265WP	Cylinder Assembly	Galvanized; Includes (3) of item 1 and (6) of item 3; Models BDE30FGS171CW01, LEZ27A*F1502, ZDE30RGS171CW01, ZDE3LRGS171CW01, ZDE4BFGS171CW01 and ZDE4BRGS171CW01 through Serial No. 1303025314; Models ADE3TRGS451LW22, AEZ17A*F1702, AEZ28A*F1702, AEZ68A*F1702, AGZ17A*F1102, AGZ28A*F1102, AGZ68A*F1102, BDG30FGS111CW01, CDE3LRGS171CW01, CDE4BFGS171CW01, CDG3LRGS111CW01, CDG4BFGS111CW01, CEZ68A*F1702, CGZ68A*F1102, DDE30RGS173CW01, FDE3TRGS401NW22, FDG3TRGS301NW10, FEN16A*G4018, FEN17A*G3018, FEN17A*G4018, FES16A*G4018, FES17A*F3300, FES17A*F4350, FEU17A*F1702, FEZ17A*F1702, FGN16A*M3013, FGN17A*M3013, FGS17A*F3060, FGZ17A*F1102, LDE3TRGS171CW01, LED17A*F1700, LEN27A*G3008, LEN27A*G3018, LEN27A*G4008, LEN27A*G4018, LES17A*F3000, LES17A*F3007, LES17A*F3022, LES17A*F4500, LES17A*M4588, LES27A*G3018, LES27A*G4000, LES27A*G4500, LES27A*G4518, LES27A*G4018, LES28A*G4018, LET68A*F1700, LEZ27A*F1502, LEZ27A*F1702, LEZ27A*G3018, LEZ27A*G4018, LGN27A*F3060, LGN27A*M3008, LGN27A*M3013, LGS17A*F3020, LGS17A*F3081, LGS17A*K1180, LGS17A*M3020, LGS17A*M3082, LGS27A*M3013, LGS27A*M3080, LGT68A*F1100, LGZ27A*F1102, LGZ27A*M3013, ZDG30RGS111CW01, ZDG3LRGS111CW01, ZDG4BFGS111CW01 and ZDG4BRGS111CW01
	510265LGP	Cylinder Assembly	Models BDE30FGS171CW01, ZDE30RGS171CW01, ZDE3LRGS171CW01, ZDE4BFGS171CW01 and ZDE4BRGS171CW01 starting Serial No. 1303025315
	505929WP	Cylinder Assembly	Stainless steel; Includes (3) of item 1 and (6) of item 3; Models LEN27A*G99M3, LET67A*F1700, LEZ67A*F1702, LGS40A*M3020 and LGZ67A*F1102
	512940P	Cylinder Assembly	Stainless steel; Includes (3) of item 1 and (6) of item 3; Models ADE32FSS431AN01, ADE32FSS431NN22, ADE32FSS541RN01, ADE41FSS171TN03, ADG32FSS301AN01, ADG41FSS111TN03, ZDE41FSS171CN01 and ZDG41FSS111CN01
	510159LG	Cylinder Assembly	Models LDE3TRWS541NW22, LES37A*F3300 and MDE3TRWS331TW06 starting Serial No. 1303025315
	510159WP	Cylinder Assembly	White; Includes (3) of item 1 and (6) of item 3; Models LES37A*F3300 and MDE3TRWS331TW06 through Serial No. 1303025314; ZDE and ZDG models: If black marks appear on clothes, replace cylinder with this part, rear bulkhead with 510905WP Rear Bulkhead Assembly and front bulkhead with 505899WP Bulkhead Assembly (with light) or 511033WP Front Bulkhead Assembly (without light); All other models
3	62588	Screw	
4	512082P	Drying Rack	

\* Add Letter To Designate Color. G - Gray L - Almond Q - Bisque W - White

# Rear Bulkhead, Felt Seal and Cylinder Roller - 1 Phase Models

All Models Except FDE3TRGS401NW22, FEN16A\*G4018, FEN17A\*G4018, FES16A\*G4018, LEN27A\*G4008, LEN27A\*G4018, LEN27A\*G99M3, LEN37A\*G4018, LES27A\*G4000, LES27A\*G4018, LES28A\*G4018, LES37A\*G4018, LEZ27A\*G4018 and LEZ37A\*G4018



DRY1861P\_506054

# Rear Bulkhead, Felt Seal and Cylinder Roller - 1 Phase Models

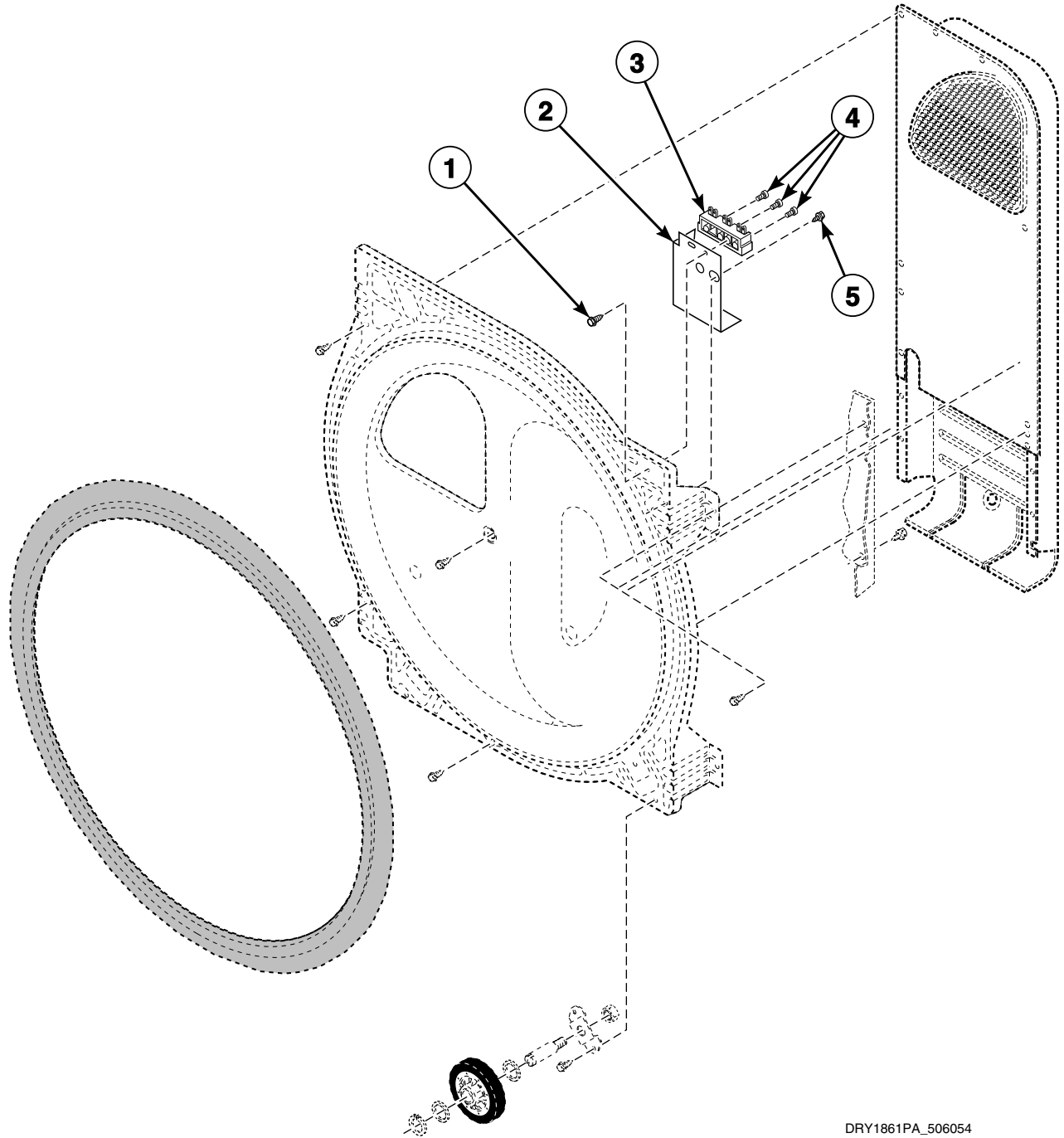
REF	PART NO.	DESCRIPTION	COMMENTS	
1	510207P	Cylinder Seal Assembly		
	511637P	Adhesive	For cylinder seal	
	RB170001	Seal Kit	Includes 2 cylinder seals, 510238P Blower Housing Seal and 511637P Adhesive	
2	503688	Screw		
3	511082P	Rear Bulkhead Assembly	Galvanized; Includes item 1; Models AEZ17A*F1702, AEZ28A*F1702, AEZ68A*F1702, AGZ17A*F1102, AGZ28A*F1102, AGZ68A*F1102, BDE30FGS171CW01, BDG30FGS111CW01, CDE3LRGS171CW01, CDE4BFGS171CW01, CDG3LRGS111CW01, CDG4BFGS111CW01, CEZ68A*F1702, CGZ68A*F1102, DDE30RGS173CW01, FDE3TRGS301NW10, FDG3TRGS301NW10, FES17A*F3300, FES17A*F4350, FEU17A*F1702, FEZ17A*F1702, FGN16A*M3013, FGN17A*M3013, FGS17A*F3060, FGZ17A*F1102, LDG3TRGS111CW01, LED17A*F1700, LEN27A*G3008, LEN27A*G3018, LES17A*F3000, LES17A*F3007, LES17A*F3022, LES17A*F4500, LES17A*M4588, LES27A*G3018, LES27A*G4500, LES27A*G4518, LET68A*F1700, LEZ27A*F1502, LEZ27A*F1702, LEZ27A*G3018, LGN27A*F3060, LGN27A*M3008, LGN27A*M3013, LGS17A*F3020, LGS17A*F3081, LGS17A*K1180, LGS17A*M3020, LGS17A*M3082, LGS27A*M3013, LGS27A*M3080, LGT68A*F1100, LGZ27A*F1102, LGZ27A*M3013, YDE3TRGS171CW01, YDG3TRGS111CW01, ZDE30RGS171CW01, ZDE3LRGS171CW01, ZDE4BFGS171CW01, ZDE4BRGS171CW01, ZDG30RGS111CW01, ZDG3LRGS111CW01, ZDG4BFGS111CW01 and ZDG4BRGS111CW01	
	N/A	Rear Bulkhead Assembly	Stainless steel; Includes item 1; Models LET67A*F1700, LEZ67A*F1702, LGS40A*M3020 and LGZ67A*F1102	
	505246	Rear Bulkhead Assembly	Stainless steel; Includes item 1; Models ADE32FSS431AN01, ADE32FSS431NN22, ADE32FSS541RN01, ADE41FSS171TN03, ADG32FSS301AN01, ADG41FSS111TN03, ZDE41FSS171CN01 and ZDG41FSS111CN01	
	510041	Rear Bulkhead Assembly	Models ADE3TRGS451LW22, LDE3TRGS171CW01 and LES37A*F4350	
	510905WP	Rear Bulkhead Assembly	White; Includes item 1; ZDE and ZDG models: If black marks appear on clothes, replace rear bulkhead with this part, cylinder with 510159WP Cylinder Assembly and front bulkhead with 505899WP Bulkhead Assembly (with light) or 511033WP Front Bulkhead Assembly (without light); All other models	
	4	510100	Cylinder Roller Bracket	
	5	510708P	Cylinder Roller	
6	23748	Retaining Ring		
7	52549	Washer		
8	504082	Washer		
9	56461P	Shaft		
10	56156	Nut		
11	RB170002	Roller Kit	Includes items 5-9; (Quantity: 2 of each item)	

\* Add Letter To Designate Color. G - Gray L - Almond Q - Bisque W - White

N/A = Part no longer available

# Terminal Block - 1 Phase Models

All Models Except FDE3TRGS401NW22, FEN16A\*G4018, FEN17A\*G4018, FES16A\*G4018, LEN27A\*G4008, LEN27A\*G4018, LEN27A\*G99M3, LEN37A\*G4018, LES27A\*G4000, LES27A\*G4018, LES28A\*G4018, LES37A\*G4018, LEZ27A\*G4018 and LEZ37A\*G4018



DRY1861PA\_506054



## Terminal Block - 1 Phase Models

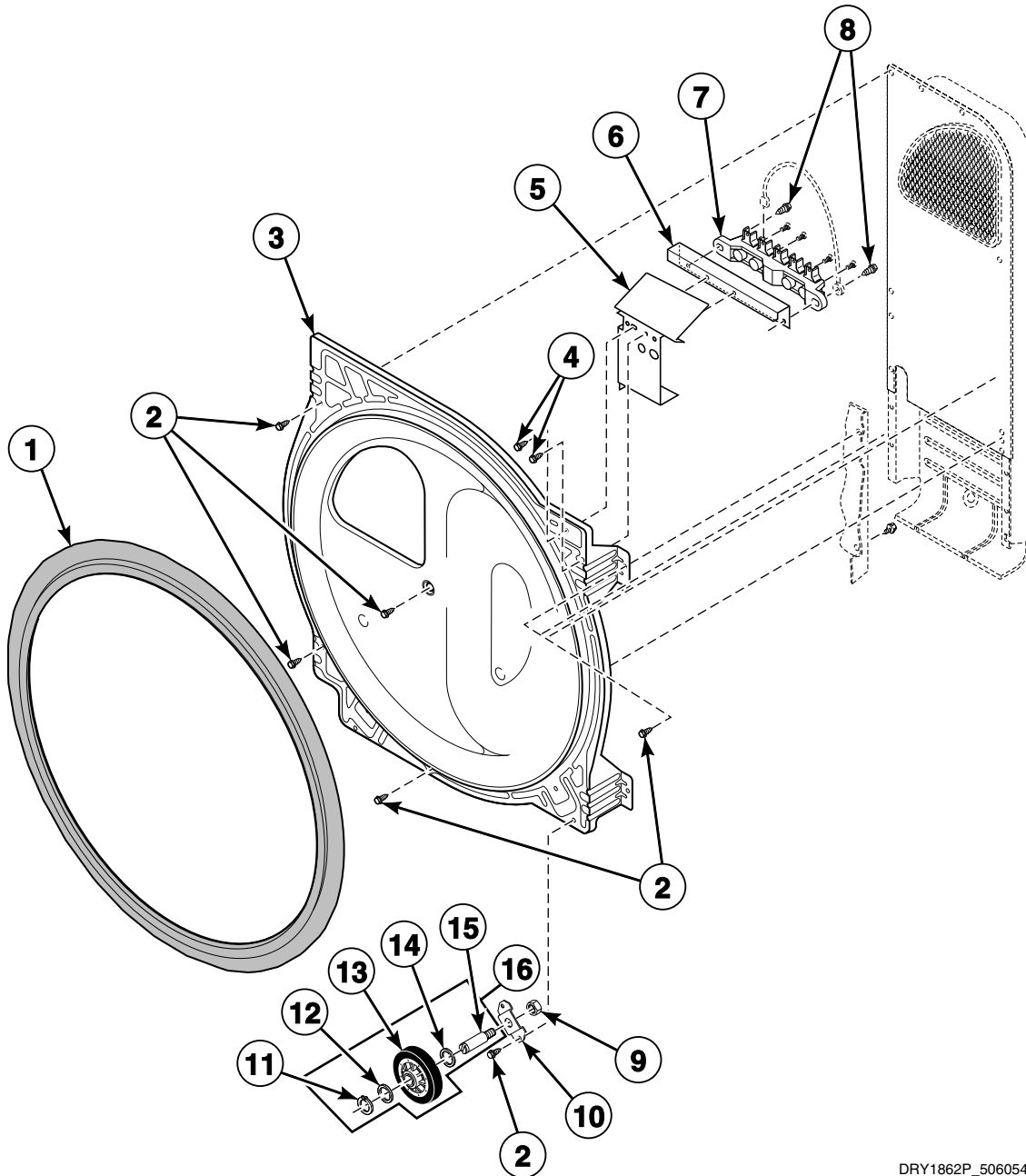
REF	PART NO.	DESCRIPTION	COMMENTS
1	501285	Screw	
2	514330	Terminal Block Shield	Models ADE3TRWS431NW29 and LGN27A*F3060
	510237	Terminal Block Shield	Models ADE41FSS171TN03, AEZ17A*F1702, AEZ28A*F1702, AEZ68A*F1702, BDE30FGS171CW01, CDE3LRGS171CW01, CDE4BFGS171CW01, CEZ68A*F1702, DDE30RGS173CW01, FEU17A*F1702, FEZ17A*F1702, LDE3TRGS171CW01, LEB07A*F1709, LED17A*F1700, LET57A*F1700, LET67A*F1700, LET68A*F1700, LEY47A*F1709, LEZ27A*F1502, LEZ27A*F1702, LEZ37A*F1702, LEZ57A*F1702, LEZ67A*F1702, YDE3TRGS171CW01, ZDE30RGS171CW01, ZDE3LRGS171CW01, ZDE41FSS171CN01, ZDE4BFGS171CW01 and ZDE4BRGS171CW01
	505768	Terminal Block Shield	Models ADE3TRGS451LW22, ADE3TRWS431AW01, ADE3TRWS431NW22, ADE32FSS431AN01, ADE32FSS431NN22, ADE32FSS541RN01, ADG3TRWS301AW01, ADG32FSS301AN01, EDE3TRWS543PW01, FDG3TRGS301NW10, FGN16A*M3013, FGN17A*M3013, LDE3TRWS331TW05, LDG3TRGS111CW01, LEG37A*F4350, LEH37A*F3300, LEK37A*F4350, LEN27A*G3008, LEN27A*G3018, LEN37A*G3018, LES17A*F3000, LES17A*F3007, LES17A*F3022, LES17A*F4500, LES17A*M4588, LES27A*G3018, LES27A*G4500, LES27A*G4518, LES33A*F4562, LES37A*F3000, LES37A*F3028, LES37A*F3300, LES37A*F3327, LES37A*F4350, LES37A*F5412, LES37A*G3018, LEZ27A*G3018, LEZ37A*F3000, LEZ37A*F3300, LEZ37A*G3018, LEZ37A*G5618, LGG37A*F3058, LGH37A*F5423, LGK37A*F3058, LGK37A*F3060, LGN27A*M3008, LGN27A*M3013, LGN37A*M3013, LGS17A*F3020, LGS17A*F3081, LGS17A*M3020, LGS17A*M3082, LGS27A*M3013, LGS27A*M3080, LGS37A*F3000, LGS37A*F3022, LGS37A*F3028, LGS37A*F3058, LGS37A*F3060, LGS37A*F3080, LGS37A*F5412, LGS37A*F5423, LGS37A*G3013, LGS37A*G3080, LGS37A*M3013, LGS37A*M3080, LGS38A*M3013, LGS38A*M3020, LGS40A*M3020, LGZ27A*M3013, LGZ37A*F3000, LGZ37A*G3013, LGZ37A*M3013, MDE3TRWS331TW06 and YDG3TRGS111CW01
3	510190P	Terminal Block Assembly	Includes 3 of item 4; All models except ADG41FSS111TN03, AGZ17A*F1102, AGZ28A*F1102, AGZ68A*F1102, BDG30FGS111CW01, CDG3LRGS111CW01, CDG4BFGS111CW01, CGZ68A*F1102, FGZ17A*F1102, LGH37A*F1182, LGS17A*K1180, LGS37A*G3013, LGS37A*G3080, LGT57A*F1100, LGT68A*F1100, LGY47A*F1109, LGZ27A*F1102, LGZ37A*F1102, LGZ37A*G3013, LGZ57A*F1102, LGZ67A*F1102, ZDG30RGS111CW01, ZDG3LRGS111CW01, ZDG41FSS111CN01, ZDG4BFGS111CW01 and ZDG4BRGS111CW01
	N/A	Terminal Block	Models LGS37A*G3013, LGS37A*G3080 and LGZ37A*G3013
4	61199	Screw	All models except AGZ17A*F1102, AGZ28A*F1102, AGZ68A*F1102, BDG30FGS111CW01, CDG3LRGS111CW01, CDG4BFGS111CW01, CGZ68A*F1102, FGZ17A*F1102, LGH37A*F1182, LGS17A*K1180, LGS37A*G3013, LGS37A*G3080, LGT57A*F1100, LGT68A*F1100, LGY47A*F1109, LGZ27A*F1102, LGZ37A*F1102, LGZ37A*G3013, LGZ57A*F1102, LGZ67A*F1102, ZDG30RGS111CW01, ZDG3LRGS111CW01, ZDG41FSS111CN01, ZDG4BFGS111CW01 and ZDG4BRGS111CW01
5	503688	Screw	

\* Add Letter To Designate Color. G - Gray L - Almond Q - Bisque W - White

N/A = Part no longer available

# Rear Bulkhead, Felt Seal, Cylinder Roller and Terminal Block - 3 Phase Models

Models FDE3TRGS401NW22, FEN16A\*G4018, FEN17A\*G4018, FES16A\*G4018, LEN27A\*G4008,  
LEN27A\*G4018, LEN27A\*G99M3, LEN37A\*G4018, LES27A\*G4000, LES27A\*G4018, LES28A\*G4018,  
LES37A\*G4018, LEZ27A\*G4018 and LEZ37A\*G4018



DRY1862P\_506054

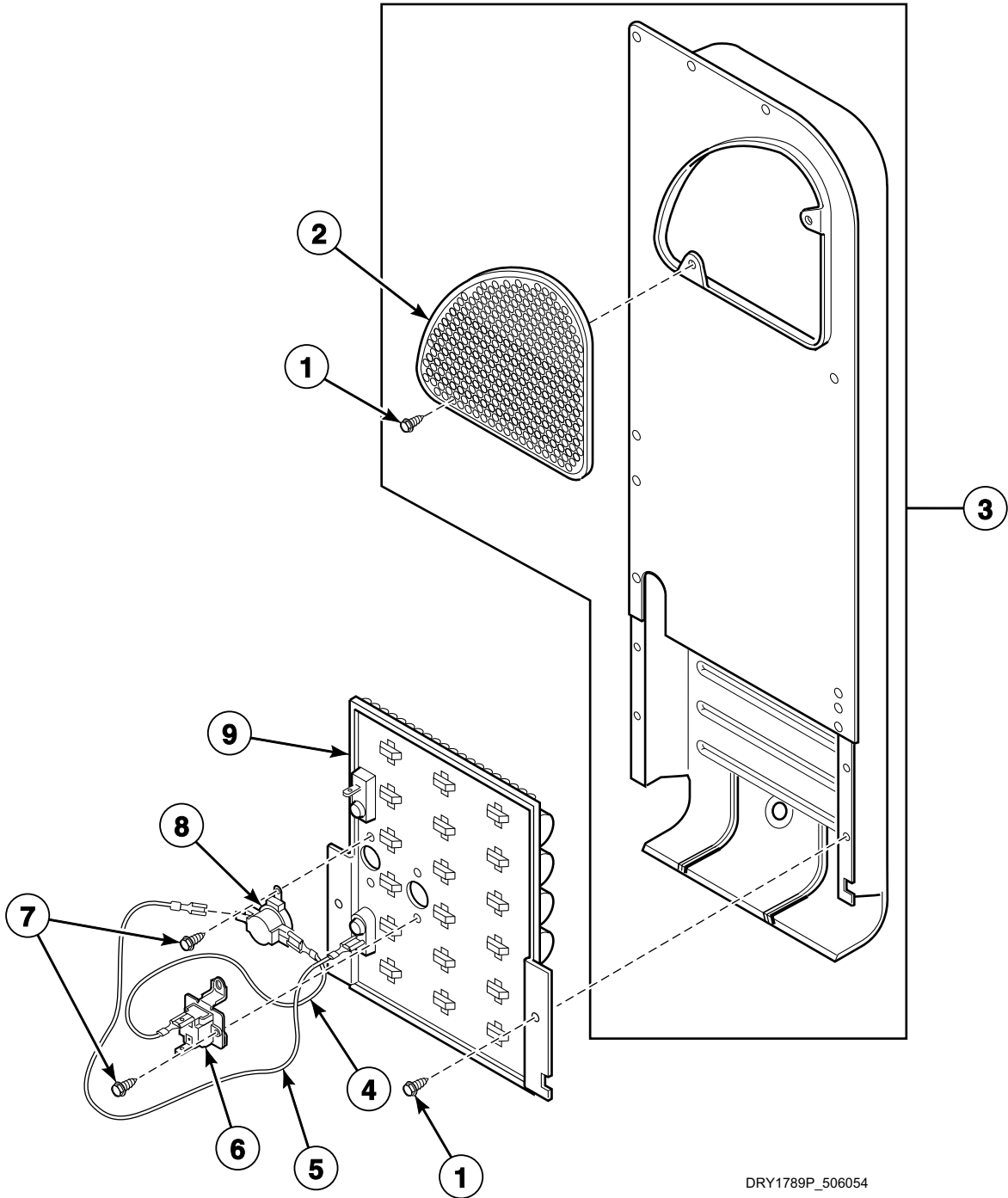
## Rear Bulkhead, Felt Seal, Cylinder Roller and Terminal Block - 3 Phase Models

REF	PART NO.	DESCRIPTION	COMMENTS
1	510207P	Cylinder Seal Assembly	
	511637P	Adhesive	For cylinder seal
	RB170001	Seal Kit	Includes 2 cylinder seals, 510238P Blower Housing Seal and 511637P Adhesive
2	503688	Screw	
3	510905WP	Rear Bulkhead Assembly	White; Includes item 1; Models LEN37A*G4018, LES37A*G4018 and LEZ37A*G4018
	505246	Rear Bulkhead Assembly	Stainless steel; Includes item 1; Model LEN27A*G99M3
	511082P	Rear Bulkhead Assembly	Galvanized; Includes item 1; All other models
4	501285	Screw	
5	505768	Terminal Block Shield	
6	505875	Terminal Block Support Bracket	
7	505876	Terminal Block Assembly	
8	503661	Screw	
9	56156	Nut	
10	510100	Cylinder Roller Bracket	
11	23748	Retaining Ring	
12	52549	Washer	
13	510708P	Cylinder Roller	
14	504082	Washer	
15	56461P	Shaft	
16	RB170002	Roller Kit	Includes items 11-15; (Quantity: 2 of each item)

\* Add Letter To Designate Color. G - Gray L - Almond Q - Bisque W - White

# Heater Duct and Element Assembly - 1 Phase Models

All Electric Models Except FDE3TRGS401NW22, FEN16A\*G4018, FEN17A\*G4018, FES16A\*G4018, LEN27A\*G4008, LEN27A\*G4018, LEN27A\*G99M3, LEN37A\*G4018, LES27A\*G4000, LES27A\*G4018, LES28A\*G4018, LES37A\*G4018, LEZ27A\*G4018 and LEZ37A\*G4018



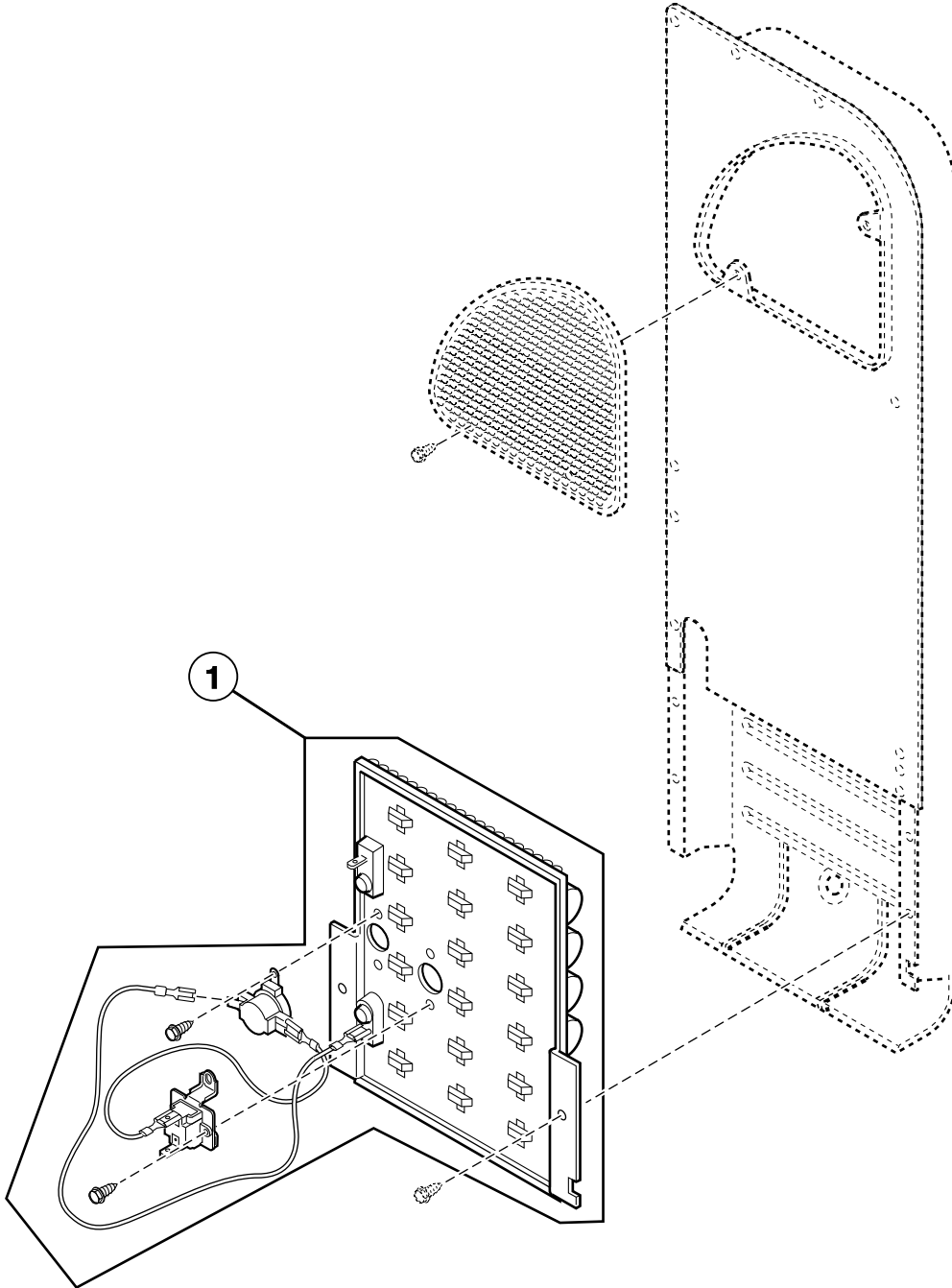
## Heater Duct and Element Assembly - 1 Phase Models

REF	PART NO.	DESCRIPTION	COMMENTS
1	503688	Screw	
2	500820	Outlet Cover	
3	510025P	Heater Duct and Screw Assembly	Includes items 1 and 2
4	510528	Wire Assembly	Orange; Thermostat jumper; Attaches to heater assembly
5	510527	Wire Assembly	Black; Fuse jumper; Attaches to heater assembly
6	511412	Thermal Fuse Assembly	
7	23222	Screw	
8	510700	Limit Thermostat	Models LES17A*F4500, LES17A*M4588, LES27A*G4500, LES27A*G4518, LES33A*F4562 and LEZ37A*G5618
	510701	Limit Thermostat	All other models
9	510326P	Heater Assembly	240 Volt/50 Hertz; 4.8 kW; Models FDE3TRGS301NW10, FEN17A*G3018, LEN27A*G3008, LEN27A*G3018, LEN37A*G3018, LES17A*F3000, LES17A*F3007, LES17A*F3022, LES27A*G3018, LES37A*F3000, LES37A*F3028, LES37A*G3018, LEZ27A*G3018, LEZ37A*F3000, LEZ37A*F3300 and LEZ37A*G3018
	510327P	Heater Assembly	240 Volt/50 Hertz; 4 kW; Models ADE3TFWS431AW01, ADE3TRWS431AW01, ADE3TRWS431NW22, ADE3TRWS431NW29, ADE32FSS431AN01, ADE32FSS431NN22, FES17A*F4350, LEG37A*F4350, LEK37A*F4350 and LES37A*F4350
	510328P	Heater Assembly	240 Volt/50 or 60 Hertz; 3.1 kW; Models ADE3TRGS451LW22, LES17A*F4500, LES17A*M4588, LES27A*G4500, LES27A*G4518 and LES33A*F4562
	511503P	Heater Assembly	240 Volt/60 Hertz; 2.8 kW; Model LEZ37A*G5618
	510329P	Heater Assembly	240 Volt/60 Hertz; 5.35 kW; Model ADE41FSS171TN03
	510330P	Heater Assembly	208 Volt/60 Hertz; 4.25 kW; Model LEZ27A*F1502
	510324P	Heater Assembly	240 Volt/60 Hertz; 5 kW; All other models

\* Add Letter To Designate Color. G - Gray L - Almond Q - Bisque W - White

# Heater Kit Assembly - 1 Phase Models

All Electric Models Except FDE3TRGS401NW22, FEN16A\*G4018, FEN17A\*G4018, FES16A\*G4018, LEN27A\*G4008, LEN27A\*G4018, LEN27A\*G99M3, LEN37A\*G4018, LES27A\*G4000, LES27A\*G4018, LES28A\*G4018, LES37A\*G4018, LEZ27A\*G4018 and LEZ37A\*G4018



DRY1789PA\_506054

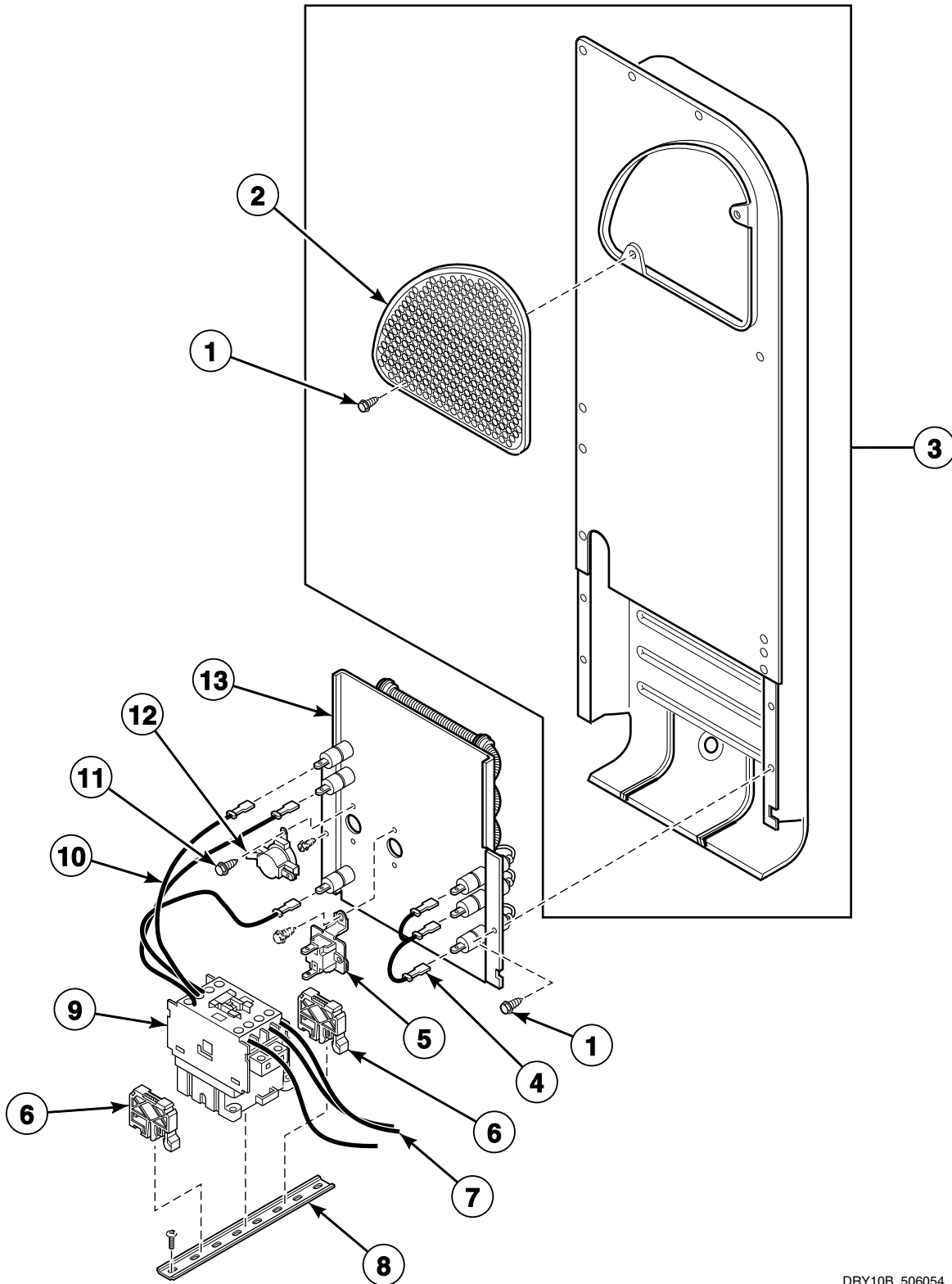
## Heater Kit Assembly - 1 Phase Models

REF	PART NO.	DESCRIPTION	COMMENTS
1	61929	Heater Kit Assembly	240 Volt/50 Hertz; 4.8 kW; Includes thermostat, fuse and wiring; Models FDE3TRGS301NW10, FEN17A*G3018, LEN27A*G3008, LEN27A*G3018, LEN37A*G3018, LES17A*F3000, LES17A*F3007, LES17A*F3022, LES27A*G3018, LES37A*F3000, LES37A*F3028, LES37A*G3018, LEZ27A*G3018, LEZ37A*F3000, LEZ37A*F3300, LEZ37A*G3018 and YDE3TRGS171CW01
	61930	Heater Kit Assembly	240 Volt/50 Hertz; 4 kW; Includes thermostat, fuse and wiring; Models ADE3TFWS431AW01, ADE3TRGS451LW22, ADE3TRWS431AW01, ADE3TRWS431NW22, ADE3TRWS431NW29, ADE32FSS431AN01, ADE32FSS431NN22, FES17A*F4350, LEG37A*F4350, LEK37A*F4350 and LES37A*F4350
	61931	Heater Kit Assembly	240 Volt/50 or 60 Hertz; 3.1 kW; Includes thermostat, fuse and wiring; Models LES17A*F4500, LES17A*M4588, LES27A*G4500, LES27A*G4518 and LES33A*F4562
	966P3	Heater Kit	240 Volt/60 Hertz; 2.8 kW; Includes thermostat, fuse and wiring; Models ADE32FSS541RN01, AEZ17A*F1702, AEZ28A*F1702, AEZ68A*F1702, BDE30FGS171CW01, CDE3LRGS171CW01, CDE4BFGS171CW01, CEZ68A*F1702, DDE30RGS173CW01, EDE3TRWS543PW01, FES17A*F3300, FEU17A*F1702, FEZ17A*F1702, LDE3TRWS331TW05, LEB07A*F1709, LED17A*F1700, LEH37A*F3300, LES37A*F3300, LES37A*F3327, LES37A*F5412, LET57A*F1700, LET67A*F1700, LET68A*F1700, LEY47A*F1709, LEZ27A*F1502, LEZ27A*F1702, LEZ37A*F1702, LEZ57A*F1702, LEZ67A*F1702, MDE3TRWS331TW06, ZDE30RGS171CW01, ZDE3LRGS171CW01, ZDE41FSS171CN01, ZDE4BFGS171CW01 and ZDE4BRGS171CW01
	61927	Heater Kit Assembly	240 Volt/60 Hertz; 5 kW; Includes thermostat, fuse and wiring; Models ADE32FSS541RN01, AEZ17A*F1702, AEZ28A*F1702, AEZ68A*F1702, BDE30FGS171CW01, CDE3LRGS171CW01, CDE4BFGS171CW01, CEZ68A*F1702, FES17A*F3300, FEU17A*F1702, FEZ17A*F1702, LDE3TRGS171CW01, LDE3TRWS331TW05, LEB07A*F1709, LED17A*F1700, LEH37A*F3300, LES37A*F3300, LES37A*F3327, LES37A*F5412, LET57A*F1700, LET67A*F1700, LET68A*F1700, LEY47A*F1709, LEZ27A*F1502, LEZ27A*F1702, LEZ37A*F1702, LEZ57A*F1702, LEZ67A*F1702, MDE3TRWS331TW06, ZDE30RGS171CW01, ZDE3LRGS171CW01, ZDE41FSS171CN01, ZDE4BFGS171CW01 and ZDE4BRGS171CW01
	964P3	Heater Kit	240 Volt/60 Hertz; 5.35 kW; Includes thermostat, fuse and wiring; Model ADE41FSS171TN03

\* Add Letter To Designate Color. G - Gray L - Almond Q - Bisque W - White

# Heater Duct and Element Assembly - 3 Phase Models

Models FDE3TRGS401NW22, FEN16A\*G4018, FEN17A\*G4018, FES16A\*G4018, LEN27A\*G4008, LEN27A\*G4018, LEN27A\*G99M3, LEN37A\*G4018, LES27A\*G4000, LES27A\*G4018, LES28A\*G4018, LES37A\*G4018, LEZ27A\*G4018 and LEZ37A\*G4018



DRY10B\_506054



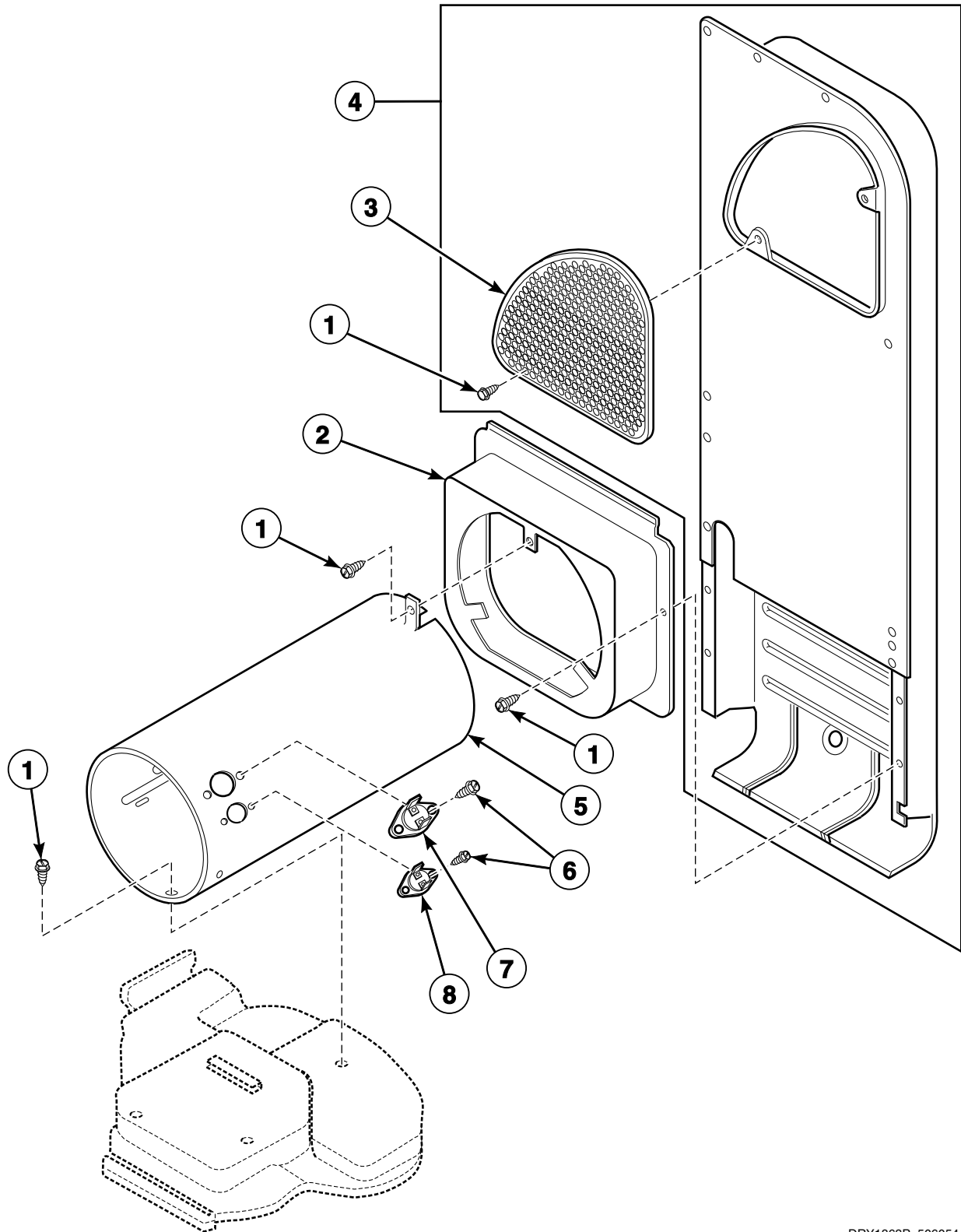
## Heater Duct and Element Assembly - 3 Phase Models

REF	PART NO.	DESCRIPTION	COMMENTS
	756P3	Conversion Kit	400 Volt, 4 wire WYE to 240 Volt, 3 wire Delta
1	503688	Screw	
2	500820	Outlet Cover	
3	510025P	Heater Duct and Screw Assembly	Includes items 1 and 2
4	511270	Jumper Wire Assembly	3 Phase
5	511412	Thermal Fuse Assembly	
6	70121001	End Stop	
7	514918	Relay Harness	Model LEN27A*G4008
	514920	Dual Contactor Harness	Model LEN27A*G4008
	511112P	Block to Relay Harness	All other models
8	M412693	Din Rail	
9	F330177P	Contactor	
10	511114P	Relay to Heater Harness	
11	23222	Screw	
12	510701	Limit Thermostat	
13	511014P	Heater	400 Volt/3 Phase

\* Add Letter To Designate Color. G - Gray L - Almond Q - Bisque W - White

# Heater Duct Assembly

Gas Models



DRY1863P\_506054

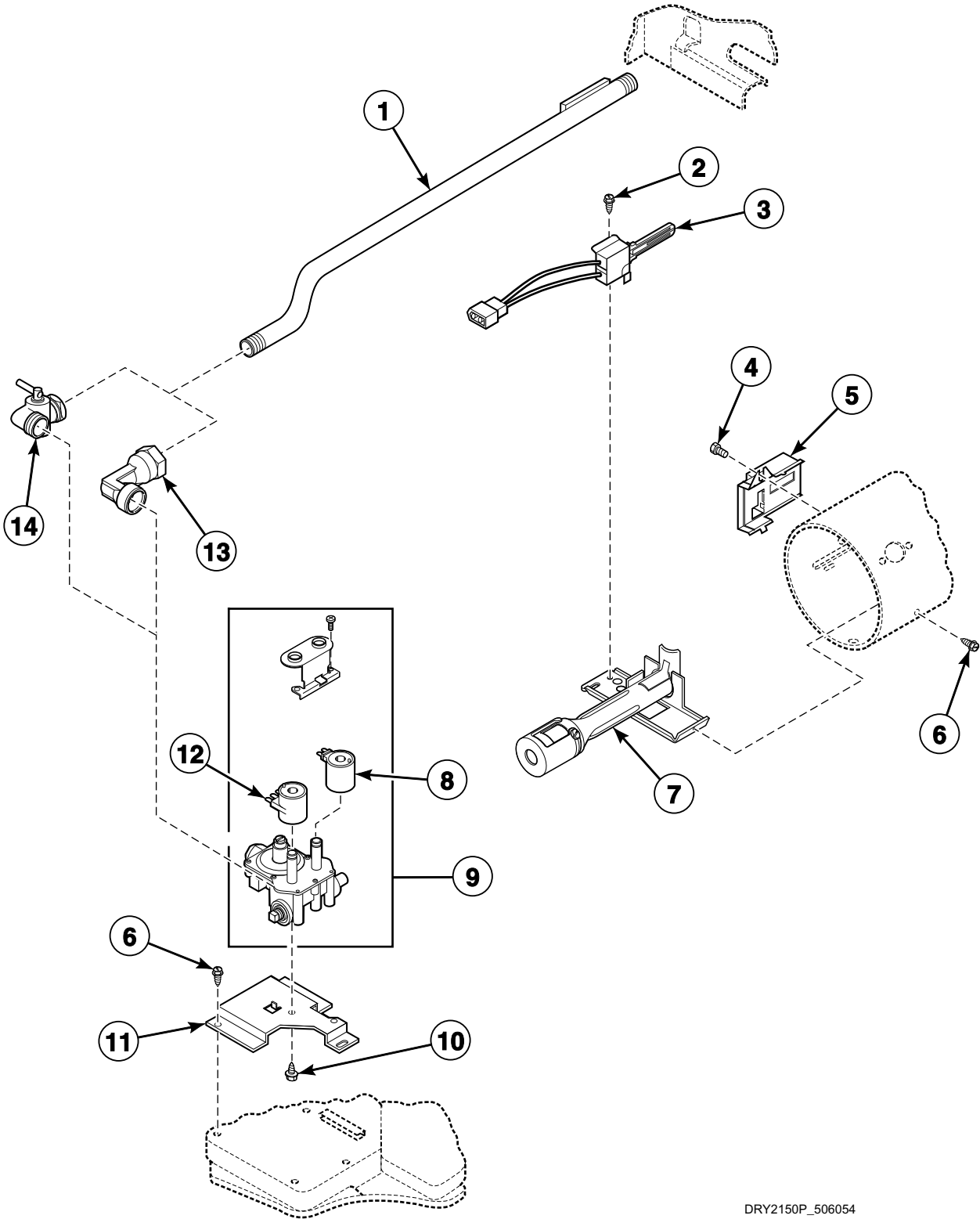
# Heater Duct Assembly

REF	PART NO.	DESCRIPTION	COMMENTS
1	503688	Screw	
2	510101	Heat Duct Shroud	
3	500820	Outlet Cover	
4	510025P	Heater Duct and Screw Assembly	Includes items 1 and 3
5	510132	Combustion Duct	Models LGG37A*F3058, LGK37A*F3058 and LGS37A*F3058; Model LGS37A*F5412 starting Serial Nos. beginning 1302
	510131	Combustion Duct	All other models
6	51782	Screw	
7	510702	Limit Thermostat	Auto reset; Black
8	510703	Thermostat	Manual reset; Models LGG37A*F3058, LGK37A*F3058 and LGS37A*F3058; Model LGS37A*F5412 starting Serial Nos. beginning 1302

\* Add Letter To Designate Color. **G - Gray** **L - Almond** **Q - Bisque** **W - White**

# Gas Valve and Igniter

All Gas Models Except LGG37A\*F3058, LGK37A\*F3058, LGS37A\*F3058,  
LGS37A\*G3013, LGS37A\*G3080 and LGZ37A\*G3013



DRY2150P\_506054

# Gas Valve and Igniter

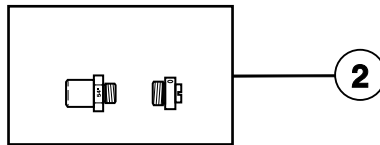
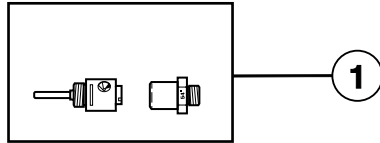
REF	PART NO.	DESCRIPTION	COMMENTS
1	510204	Lead-In Pipe Assembly	
2	51782	Screw	
3	510184P	Igniter and Bracket Assembly	
4	23222	Screw	
5	510213	Sensor	
6	503688	Screw	
7	510149P	Burner Assembly	
8	58804B	Secondary Coil	60 Hertz; Models ADG41FSS111TN03, AGZ17A*F1102, AGZ28A*F1102, AGZ68A*F1102, BDG30FGS111CW01, CDG3LRGS111CW01, CDG4BFGS111CW01, CGZ68A*F1102, FGZ17A*F1102, LDG3TRWS111TW05, LGH37A*F1182, LGH37A*F5423, LGS17A*K1180, LGS37A*F5412, LGS37A*F5423, LGT57A*F1100, LGT68A*F1100, LGY47A*F1109, LGZ27A*F1102, LGZ37A*F1102, LGZ57A*F1102, LGZ67A*F1102, MDG3TRWS111TW06, ZDG30RGS111CW01, ZDG3LRGS111CW01, ZDG41FSS111CN01, ZDG4BFGS111CW01 and ZDG4BRGS111CW01
	59063B	Secondary Coil	50 Hertz; All other models
9	510506P	Gas Valve Assembly	60 Hertz; 22,500 Btu; Models ADG41FSS111TN03, AGZ17A*F1102, AGZ28A*F1102, AGZ68A*F1102, BDG30FGS111CW01, CDG3LRGS111CW01, CDG4BFGS111CW01, CGZ68A*F1102, FGZ17A*F1102, LDG3TRGS111CW01, LDG3TRWS111TW05, LGS17A*K1180, LGS37A*F5412, LGT57A*F1100, LGT68A*F1100, LGY47A*F1109, LGZ27A*F1102, LGZ37A*F1102, LGZ57A*F1102, LGZ67A*F1102, MDG3TRWS111TW06, YDG3TRGS111CW01, ZDG30RGS111CW01, ZDG3LRGS111CW01, ZDG41FSS111CN01, ZDG4BFGS111CW01 and ZDG4BRGS111CW01
	510506P	Gas Valve Assembly	60 Hertz; 22,500 Btu; Models LGH37A*F1182, LGH37A*F5423 and LGS37A*F5423; Must also order 649P3 L.P. Conversion Kit
	59063P	Gas Valve Assembly	50 Hertz; 20,000 Btu; For L.P. models, order 401P3 L.P. Conversion Kit when ordering gas valve assembly; All other models
10	56124	Screw	
11	510128	Gas Valve Mounting Bracket	
12	58804A	Booster and Holding Coil	60 Hertz; Models ADG41FSS111TN03, AGZ17A*F1102, AGZ28A*F1102, AGZ68A*F1102, BDG30FGS111CW01, CDG3LRGS111CW01, CDG4BFGS111CW01, CGZ68A*F1102, FGZ17A*F1102, LDG3TRWS111TW05, LGH37A*F1182, LGH37A*F5423, LGS17A*K1180, LGS37A*F5412, LGS37A*F5423, LGT57A*F1100, LGT68A*F1100, LGY47A*F1109, LGZ27A*F1102, LGZ37A*F1102, LGZ57A*F1102, LGZ67A*F1102, MDG3TRWS111TW06, ZDG30RGS111CW01, ZDG3LRGS111CW01, ZDG41FSS111CN01, ZDG4BFGS111CW01 and ZDG4BRGS111CW01
	59063A	Booster and Holding Coil	50 Hertz; All other models
13	513072	Elbow	Models ADG41FSS111TN03, AGZ17A*F1102, AGZ28A*F1102, AGZ68A*F1102 and CGZ68A*F1102 starting Serial No. 080601; Models ADG32FSS301AN01, LGH37A*F5423, LGS37A*F5423, ZDG30RGS111CW01, ZDG3LRGS111CW01, ZDG41FSS111CN01, ZDG4BFGS111CW01 and ZDG4BRGS111CW01
14	510205	Elbow Shut-Off Valve	Models AGZ17A*F1102, AGZ28A*F1102, AGZ68A*F1102 and CGZ68A*F1102 through Serial No. 080600; All other models

\* Add Letter To Designate Color. G - Gray L - Almond Q - Bisque W - White

N/A = Part no longer available

# Gas Conversion Kits

All Gas Models Except LGG37A\*F3058, LGK37A\*F3058, LGS37A\*F3058,  
LGS37A\*G3013, LGS37A\*G3080 and LGZ37A\*G3013



DRY2151P\_506054

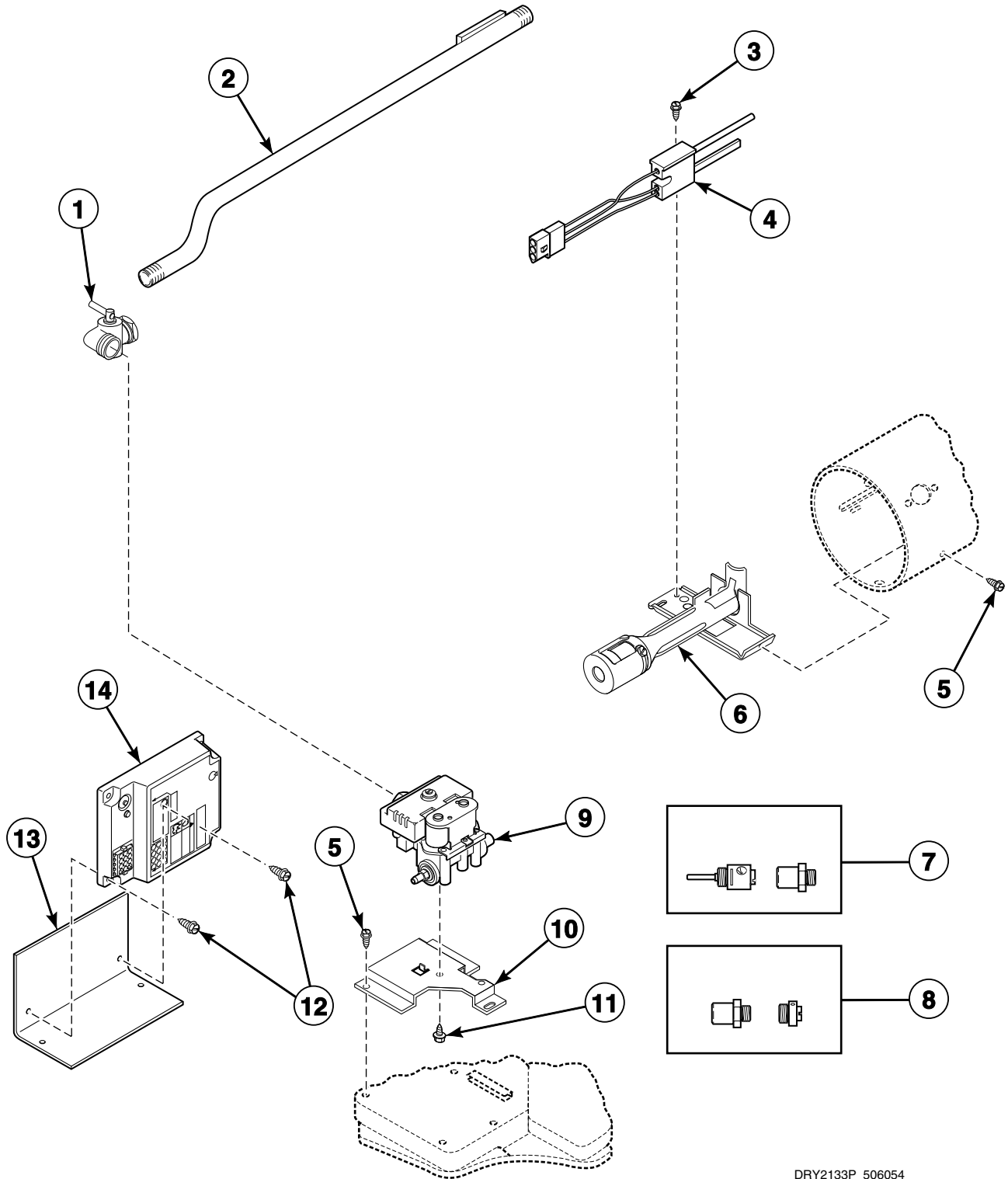
# Gas Conversion Kits

REF	PART NO.	DESCRIPTION	COMMENTS
1	599P3	L.P. Conversion Kit	Used to convert dryers from Natural Gas (N.G.) or Mixed Gas to Liquid Petroleum Gas (L.P.) for 20,000 Btu; Models FGN16A*M3013, FGN17A*M3013, LGN27A*M3008, LGN27A*M3013, LGN37A*M3013, LGS17A*F3020, LGS17A*M3020, LGS17A*M3082, LGS27A*M3013, LGS27A*M3080, LGS37A*M3013, LGS37A*M3080, LGS38A*M3013, LGS38A*M3020, LGS40A*M3020, LGZ27A*M3013 and LGZ37A*M3013
	401P3	L.P. Conversion Kit	Used to convert dryers from N.G. or Mixed Gas to L.P. for 20,000 Btu; Models ADG3TFWS301AW01, ADG3TRWS301AW01, ADG32FSS301AN01, FDG3TRGS301NW10, FGS17A*F3060, LDG3TRGS111CW01, LGK37A*F3060, LGN27A*F3060, LGS17A*F3081, LGS37A*F3000, LGS37A*F3022, LGS37A*F3028, LGS37A*F3060, LGS37A*F3080, LGZ37A*F3000 and YDG3TRGS111CW01
	649P3	L.P. Conversion Kit	Used to convert dryers from N.G. or Mixed Gas to L.P. for 22,500 Btu; All other models
2	402P3	N.G. Conversion Kit	Used to convert dryers from L.P. to N.G. or Mixed Gas for 20,000 Btu; Models ADG3TFWS301AW01, ADG3TRWS301AW01, ADG32FSS301AN01, FDG3TRGS301NW10, FGS17A*F3060, LDG3TRGS111CW01, LGK37A*F3060, LGN27A*F3060, LGS17A*F3081, LGS37A*F3000, LGS37A*F3022, LGS37A*F3028, LGS37A*F3060, LGS37A*F3080, LGZ37A*F3000 and YDG3TRGS111CW01
	650P3	N.G. Conversion Kit	Used to convert dryers from L.P. to N.G. or Mixed Gas for 22,500 Btu; Models ADG41FSS111TN03, AGZ17A*F1102, AGZ28A*F1102, AGZ68A*F1102, BDG30FGS111CW01, CDG3LRGS111CW01, CDG4BFGS111CW01, CGZ68A*F1102, FGZ17A*F1102, LDG3TRWS111TW05, LGH37A*F1182, LGH37A*F5423, LGS17A*K1180, LGS37A*F5412, LGS37A*F5423, LGT57A*F1100, LGT68A*F1100, LGY47A*F1109, LGZ27A*F1102, LGZ37A*F1102, LGZ57A*F1102, LGZ67A*F1102, MDG3TRWS111TW06, ZDG30RGS111CW01, ZDG3LRGS111CW01, ZDG41FSS111CN01, ZDG4BFGS111CW01 and ZDG4BRGS111CW01

\* Add Letter To Designate Color. G - Gray L - Almond Q - Bisque W - White

# Gas Valve, Igniter, Ignition Control and Gas Conversion Kits

Models LGG37A\*F3058, LGK37A\*F3058, LGS37A\*F3058, LGS37A\*G3013,  
LGS37A\*G3080 and LGZ37A\*G3013



DRY2133P\_506054



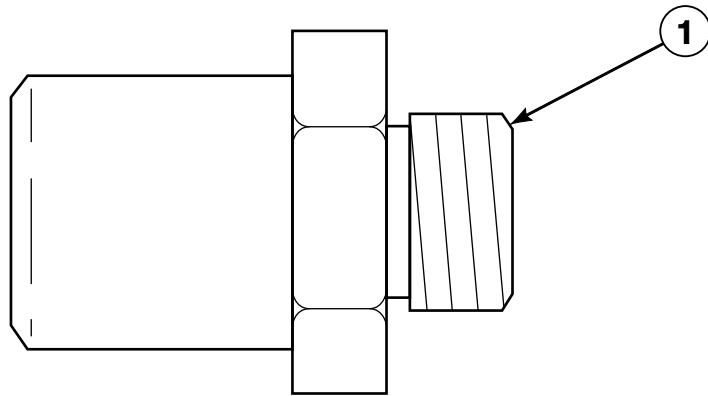
## Gas Valve, Igniter, Ignition Control and Gas Conversion Kits

REF	PART NO.	DESCRIPTION	COMMENTS
1	510205	Elbow Shut-Off Valve	
2	510204	Lead-In Pipe Assembly	
3	51782	Screw	
4	502995P	Igniter and Sensor Assembly	
5	503688	Screw	
6	510149P	Burner Assembly	
7	599P3	L.P. Conversion Kit	Natural Gas (N.G.) to Liquid Petroleum Gas (L.P.); Models LGS37A*G3013, LGS37A*G3080 and LGZ37A*G3013
	401P3	L.P. Conversion Kit	N.G. to L.P.; 20,000 Btu; Models LGG37A*F3058, LGK37A*F3058 and LGS37A*F3058
8	402P3	N.G. Conversion Kit	L.P. to N.G.; 20,000 Btu; Models LGG37A*F3058, LGK37A*F3058 and LGS37A*F3058
9	502423P	Gas Valve Assembly	Includes 502423A Main and Redundant Coil
10	510128	Gas Valve Mounting Bracket	
11	56124	Screw	
12	502535	Screw	
13	502425	Ignition Control Bracket	
14	502994P	Igniter Control	

\* Add Letter To Designate Color. G - Gray L - Almond Q - Bisque W - White

# Burner Orifice Spuds - For Higher Elevations (Drawing 1 of 2)

Liquid Petroleum Gas Models



DRY2266P\_506054

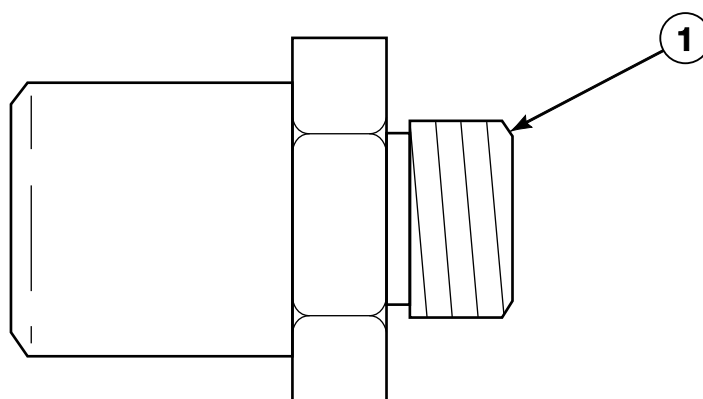
# Burner Orifice Spuds - For Higher Elevations (Drawing 1 of 2)

REF	PART NO.	DESCRIPTION	COMMENTS
1	58755	L.P. Orifice	22,500 Btu; 3000-7999 feet (915-2439 m); Models ADG41FSS111TN03, AGZ17A*F1102, AGZ28A*F1102, AGZ68A*F1102, BDG30FGS111CW01, CDG3LRGS111CW01, CDG4BFGS111CW01, CGZ68A*F1102, FGZ17A*F1102, LDG3TRWS111TW05, LGH37A*F1182, LGH37A*F5423, LGS17A*K1180, LGS37A*F5412, LGS37A*F5423, LGT57A*F1100, LGT68A*F1100, LGY47A*F1109, LGZ27A*F1102, LGZ37A*F1102, LGZ57A*F1102, LGZ67A*F1102, MDG3TRWS111TW06, ZDG30RGS111CW01, ZDG3LRGS111CW01, ZDG41FSS111CN01, ZDG4BFGS111CW01 and ZDG4BRGS111CW01
	503786	L.P. Orifice	22,500 Btu; 8000 feet (2440 m) and higher; ADG41FSS111TN03, AGZ17A*F1102, AGZ28A*F1102, AGZ68A*F1102, BDG30FGS111CW01, CDG3LRGS111CW01, CDG4BFGS111CW01, CGZ68A*F1102, FGZ17A*F1102, LDG3TRWS111TW05, LGH37A*F1182, LGH37A*F5423, LGS17A*K1180, LGS37A*F5412, LGS37A*F5423, LGT57A*F1100, LGT68A*F1100, LGY47A*F1109, LGZ27A*F1102, LGZ37A*F1102, LGZ57A*F1102, LGZ67A*F1102, MDG3TRWS111TW06, ZDG30RGS111CW01, ZDG3LRGS111CW01, ZDG41FSS111CN01, ZDG4BFGS111CW01 and ZDG4BRGS111CW01; All other models; 20,000 Btu; 4500-9499 feet (1370-2999 m)
	60941	L.P. Orifice	20,000 Btu; 9500 feet (3000 m) and higher; All models except ADG41FSS111TN03, AGZ17A*F1102, AGZ28A*F1102, AGZ68A*F1102, BDG30FGS111CW01, CDG3LRGS111CW01, CDG4BFGS111CW01, CGZ68A*F1102, FGZ17A*F1102, LDG3TRWS111TW05, LGH37A*F1182, LGH37A*F5423, LGS17A*K1180, LGS37A*F5412, LGS37A*F5423, LGT57A*F1100, LGT68A*F1100, LGY47A*F1109, LGZ27A*F1102, LGZ37A*F1102, LGZ57A*F1102, LGZ67A*F1102, MDG3TRWS111TW06, ZDG30RGS111CW01, ZDG3LRGS111CW01, ZDG41FSS111CN01, ZDG4BFGS111CW01 and ZDG4BRGS111CW01

\* Add Letter To Designate Color. G - Gray L - Almond Q - Bisque W - White

# Burner Orifice Spuds - For Higher Elevations (Drawing 2 of 2)

Natural Gas Models



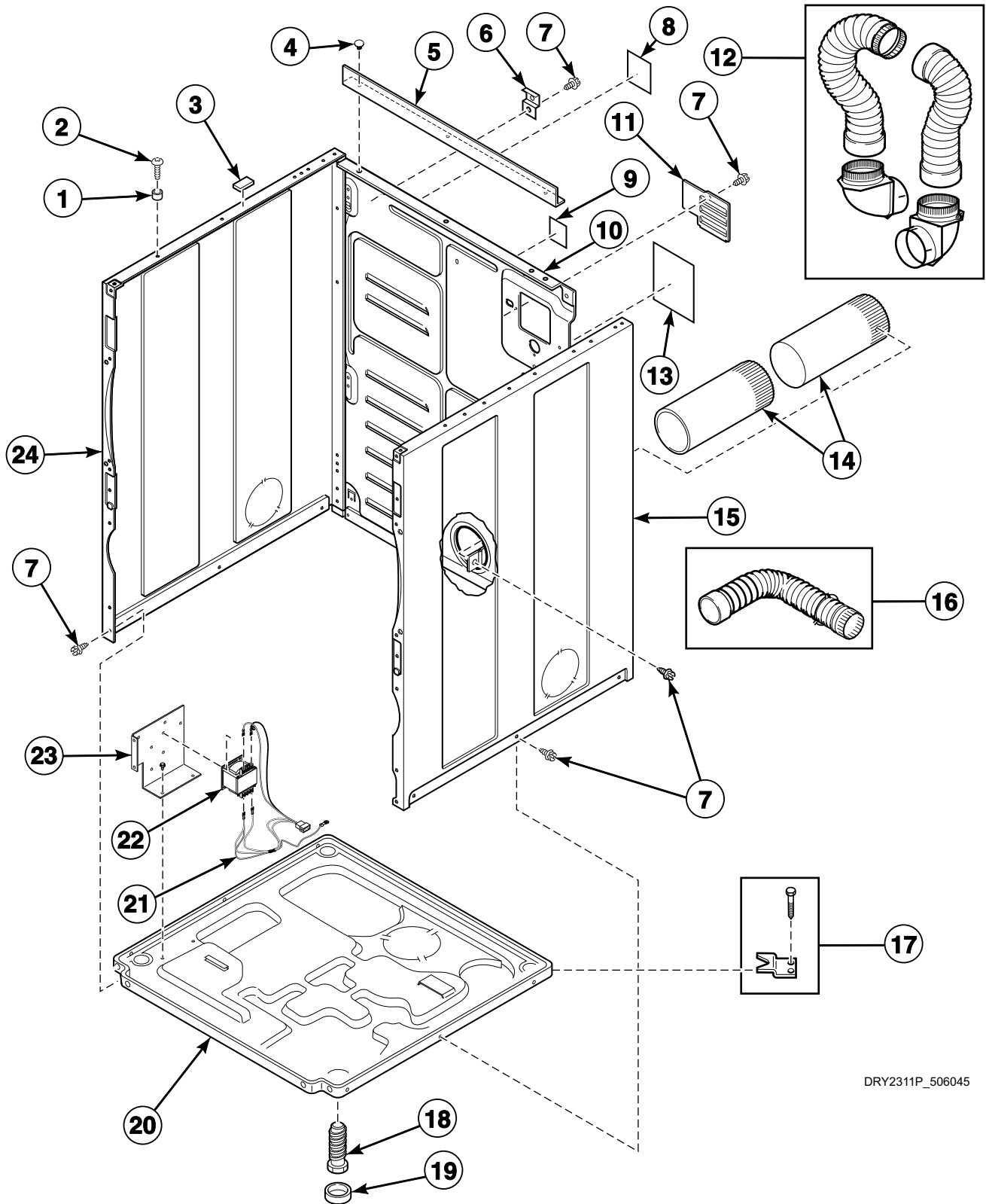
DRY2266P\_506054

## Burner Orifice Spuds - For Higher Elevations (Drawing 2 of 2)

REF	PART NO.	DESCRIPTION	COMMENTS
1	503778	N.G. Orifice	22,500 Btu; 3000-5999 feet (915-1829 m); Models ADG41FSS111TN03, AGZ17A*F1102, AGZ28A*F1102, AGZ68A*F1102, BDG30FGS111CW01, CDG3LRGS111CW01, CDG4BFGS111CW01, CGZ68A*F1102, FGZ17A*F1102, LDG3TRWS111TW05, LGH37A*F1182, LGH37A*F5423, LGS17A*K1180, LGS37A*F5412, LGS37A*F5423, LGT57A*F1100, LGT68A*F1100, LGY47A*F1109, LGZ27A*F1102, LGZ37A*F1102, LGZ57A*F1102, LGZ67A*F1102, MDG3TRWS111TW06, ZDG30RGS111CW01, ZDG3LRGS111CW01, ZDG41FSS111CN01, ZDG4BFGS111CW01 and ZDG4BRGS111CW01
	58719	Screw Orifice	22,500 Btu; 6000-7999 feet (1830-2439 m); Models ADG41FSS111TN03, AGZ17A*F1102, AGZ28A*F1102, AGZ68A*F1102, BDG30FGS111CW01, CDG3LRGS111CW01, CDG4BFGS111CW01, CGZ68A*F1102, FGZ17A*F1102, LDG3TRWS111TW05, LGH37A*F1182, LGH37A*F5423, LGS17A*K1180, LGS37A*F5412, LGS37A*F5423, LGT57A*F1100, LGT68A*F1100, LGY47A*F1109, LGZ27A*F1102, LGZ37A*F1102, LGZ57A*F1102, LGZ67A*F1102, MDG3TRWS111TW06, ZDG30RGS111CW01, ZDG3LRGS111CW01, ZDG41FSS111CN01, ZDG4BFGS111CW01 and ZDG4BRGS111CW01
	503779	N.G. Orifice	22,500 Btu; 8000-8999 feet (2440-2739 m); ADG41FSS111TN03, AGZ17A*F1102, AGZ28A*F1102, AGZ68A*F1102, BDG30FGS111CW01, CDG3LRGS111CW01, CDG4BFGS111CW01, CGZ68A*F1102, FGZ17A*F1102, LDG3TRWS111TW05, LGH37A*F1182, LGH37A*F5423, LGS17A*K1180, LGS37A*F5412, LGS37A*F5423, LGT57A*F1100, LGT68A*F1100, LGY47A*F1109, LGZ27A*F1102, LGZ37A*F1102, LGZ57A*F1102, LGZ67A*F1102, MDG3TRWS111TW06, ZDG30RGS111CW01, ZDG3LRGS111CW01, ZDG41FSS111CN01, ZDG4BFGS111CW01 and ZDG4BRGS111CW01; All other models; 20,000 Btu; 2500-4499 feet (760-1369 m)
	503780	N.G. Orifice	22,500 Btu; 9000-9999 feet (2740-3049 m); ADG41FSS111TN03, AGZ17A*F1102, AGZ28A*F1102, AGZ68A*F1102, BDG30FGS111CW01, CDG3LRGS111CW01, CDG4BFGS111CW01, CGZ68A*F1102, FGZ17A*F1102, LDG3TRWS111TW05, LGH37A*F1182, LGH37A*F5423, LGS17A*K1180, LGS37A*F5412, LGS37A*F5423, LGT57A*F1100, LGT68A*F1100, LGY47A*F1109, LGZ27A*F1102, LGZ37A*F1102, LGZ57A*F1102, LGZ67A*F1102, MDG3TRWS111TW06, ZDG30RGS111CW01, ZDG3LRGS111CW01, ZDG41FSS111CN01, ZDG4BFGS111CW01 and ZDG4BRGS111CW01; All other models; 20,000 Btu; 4500-5999 feet (1370-1829 m)
	503781	N.G. Orifice	22,500 Btu; 10,000 feet (3050 m) and higher; ADG41FSS111TN03, AGZ17A*F1102, AGZ28A*F1102, AGZ68A*F1102, BDG30FGS111CW01, CDG3LRGS111CW01, CDG4BFGS111CW01, CGZ68A*F1102, FGZ17A*F1102, LDG3TRWS111TW05, LGH37A*F1182, LGH37A*F5423, LGS17A*K1180, LGS37A*F5412, LGS37A*F5423, LGT57A*F1100, LGT68A*F1100, LGY47A*F1109, LGZ27A*F1102, LGZ37A*F1102, LGZ57A*F1102, LGZ67A*F1102, MDG3TRWS111TW06, ZDG30RGS111CW01, ZDG3LRGS111CW01, ZDG41FSS111CN01, ZDG4BFGS111CW01 and ZDG4BRGS111CW01; All other models; 20,000 Btu; 6000-7499 feet (1830-2289 m)
	503782	N.G. Orifice	20,000 Btu; 7500-9499 feet (2290-2899 m); All models except ADG41FSS111TN03, AGZ17A*F1102, AGZ28A*F1102, AGZ68A*F1102, BDG30FGS111CW01, CDG3LRGS111CW01, CDG4BFGS111CW01, CGZ68A*F1102, FGZ17A*F1102, LDG3TRWS111TW05, LGH37A*F1182, LGH37A*F5423, LGS17A*K1180, LGS37A*F5412, LGS37A*F5423, LGT57A*F1100, LGT68A*F1100, LGY47A*F1109, LGZ27A*F1102, LGZ37A*F1102, LGZ57A*F1102, LGZ67A*F1102, MDG3TRWS111TW06, ZDG30RGS111CW01, ZDG3LRGS111CW01, ZDG41FSS111CN01, ZDG4BFGS111CW01 and ZDG4BRGS111CW01

\* Add Letter To Designate Color. G - Gray L - Almond Q - Bisque W - White

# Cabinet, Exhaust Duct and Base



DRY2311P\_506045

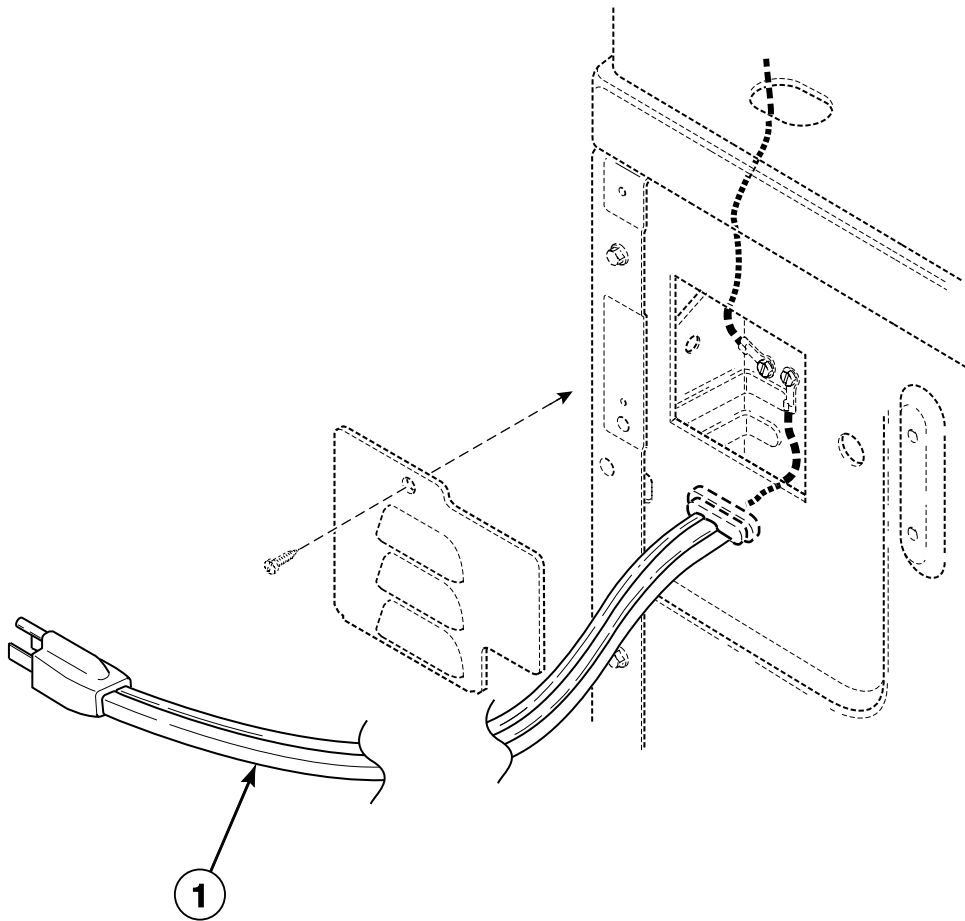
## Cabinet, Exhaust Duct and Base

REF	PART NO.	DESCRIPTION	COMMENTS
	122P4P	Porcelain Touch-Up Paint	White
	370P4P	Porcelain Touch-Up Paint	Bisque
	215P4P	Porcelain Touch-Up Paint	Almond
1	56079	Panel Locator	
2	512921	Screw	Use with stainless steel panels
	39733	Screw	
3	56128	Bumper Pad	
4	514375	Rivet	Models ADE3TRWS431NW29 and LGN27A*F3060
5	514335	Rear Shield	Models ADE3TRWS431NW29 and LGN27A*F3060
6	510136	Top Hinge	
7	503688	Screw	
8	511004	Gas Clearance Label	Gas models
9	803260	Warning Label	Disconnect power; Models ADE3TFWS431AW01, ADE3TRGS451LW22, ADE3TRWS431AW01, ADE3TRWS431NW22, ADE3TRWS431NW29, ADE32FSS431AN01, ADE32FSS431NN22, ADE32FSS541RN01, ADE41FSS171TN03, BDE30FGS171CW01, CDE3LRGS171CW01, CDE4BFGS171CW01, DDE30RGS173CW01, EDE3TRWS543PW01, FDE3TRGS301NW10, FDE3TRGS401NW22, FEN17A*G3018, FEN17A*G4018, FES17A*F3300, FES17A*F4350, FEU17A*F1702, FEZ17A*F1702, LDE3TRGS171CW01, LDE3TRWS331TW05, LDE3TRWS541NW22, LED17A*F1700, LEH37A*F3300, LEN27A*G3008, LEN27A*G3018, LEN27A*G4008, LEN27A*G4018, LES17A*F3000, LES17A*F3007, LES17A*F3022, LES17A*F4500, LES27A*G3018, LES27A*G4500, LES27A*G4518, LES27A*G4018, LES28A*G4018, LES33A*F4562, LES37A*F3000, LES37A*F3300, LES37A*F4350, LES37A*F5412, LEZ27A*F1702, LEZ27A*G3018, LEZ27A*G4018, LEZ37A*F3000, LEZ37A*F3300, MDE3TRWS331TW06, YDE3TRGS171CW01, ZDE30RGS171CW01, ZDE3LRGS171CW01, ZDE41FSS171CN01, ZDE4BFGS171CW01 and ZDE4BRGS171CW01
10	514632P	Cabinet Rear Panel	
11	514356	Access Cover Plate	Models ADE3TRWS431NW29 and LGN27A*F3060
	510903	Access Panel Plate	All other models
12	521P3	Flexible Venting Kit	
13	511005	Electric Clearance Label	Electric models
14	510137	Exhaust Duct	Each dryer requires 2 pieces
15	512539	Cabinet Side Panel	Stainless steel; Right; Models ADE32FSS431AN01, ADE32FSS431NN22, ADE32FSS541RN01, ADE41FSS171TN03, ADG32FSS301AN01, ADG41FSS111TN03, ZDE41FSS171CN01 and ZDG41FSS111CN01
	510002WP	Cabinet Side Panel	White; Right; All other models
	510002LP	Cabinet Side Panel	Almond; Right; All other models
	510002QP	Cabinet Side Panel	Bisque; Right; All other models
	510002GP	Cabinet Side Panel	Gray; Right; All other models
16	528P3	Directional Exhaust Kit	Used to vent dryer out the sides or bottom
17	526P3	Hold Down Kit	For mobile home installations
18	510135	Leveling Leg	
19	501855	Rubber Foot	
20	513901	Dryer Base	
21	511303	Wire Harness Assembly	Transformer adapter; Includes 502592 Fuse (3.15 Amp, 250 Volt); Models ADG3TFWS301AW01, ADG32FSS301AN01, FGN16A*M3013, FGN17A*M3013 and FGS17A*F3060
22	511658P	Transformer Kit	Includes item 18; Models ADG3TFWS301AW01, ADG32FSS301AN01, FGN16A*M3013, FGN17A*M3013 and FGS17A*F3060
23	511859	Contacto Bracket	Models ADG3TFWS301AW01, ADG32FSS301AN01, FGN16A*M3013, FGN17A*M3013 and FGS17A*F3060
24	512951	Cabinet Side Panel	Stainless steel; Left; Models ADE32FSS431AN01, ADE32FSS431NN22, ADE32FSS541RN01, ADE41FSS171TN03, ADG32FSS301AN01, ADG41FSS111TN03, ZDE41FSS171CN01 and ZDG41FSS111CN01
	510001WP	Cabinet Side Panel	White; Left; All other models
	510001LP	Cabinet Side Panel	Almond; Left; All other models
	510001QP	Cabinet Side Panel	Bisque; Left; All other models
	510001GP	Cabinet Side Panel	Gray; Left; All other models

\* Add Letter To Designate Color. G - Gray L - Almond Q - Bisque W - White

# Power Cord

All Models Except EDE3TRWS543PW01



DRY1866PA\_506054



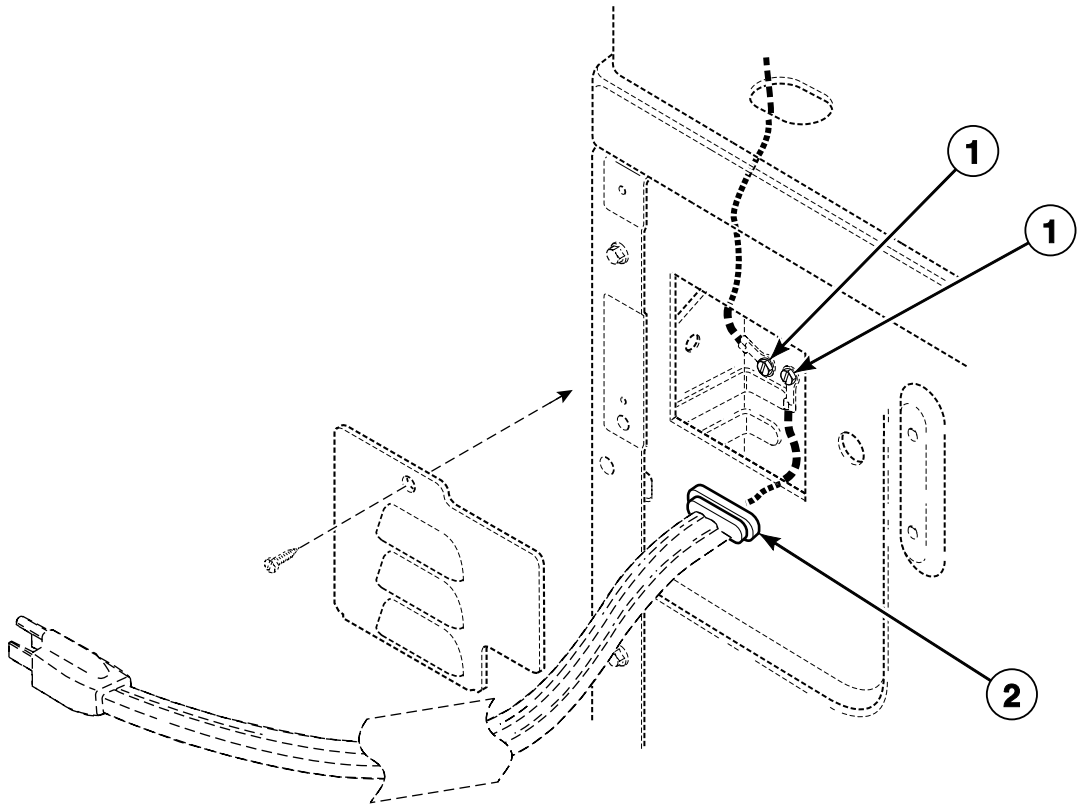
# Power Cord

REF	PART NO.	DESCRIPTION	COMMENTS
1	510505P	Lead-In Cord Assembly	Models ADE3TRGS451LW22, AEZ17A*F1702, AEZ28A*F1702, AEZ68A*F1702, BDE30FGS171CW01, CDE3LRGS171CW01, CDE4BFGS171CW01, CEZ68A*F1702, DDE30RGS173CW01, FEU17A*F1702, FEZ17A*F1702, LDE3TRGS171CW01, LEB07A*F1709, LED17A*F1700, LET57A*F1700, LET67A*F1700, LET68A*F1700, LEY47A*F1709, LEZ27A*F1502, LEZ27A*F1702, LEZ37A*F1702, LEZ57A*F1702, LEZ67A*F1702, YDE3TRGS171CW01, ZDE30RGS171CW01, ZDE3LRGS171CW01, ZDE41FSS171CN01, ZDE4BFGS171CW01 and ZDE4BRGS171CW01
	61605P	Lead-In Cord Kit	Models ADE3TFWS431AW01, ADE3TRWS431AW01, ADE32FSS431AN01, FES17A*F4350, LEG37A*F4350, LEK37A*F4350 and LES37A*F4350
	N/A	Lead-In Cord	Models LGG37A*F3058, LGK37A*F3058, LGK37A*F3060, LGS37A*F3022, LGS37A*F3058, LGS37A*F3080, LGS37A*G3013, LGS37A*G3080 and LGZ37A*G3013
	503597	Lead-In Cord Assembly	Models ADE3TRWS431NW22, ADE3TRWS431NW29, ADE32FSS431NN22, FEN17A*G3018, LEN27A*G3008, LEN27A*G3018, LEN37A*G3018, LES27A*G3018, LES27A*G4518, LES37A*G3018, LEZ27A*G3018, LEZ37A*F3000, LEZ37A*F3300, LEZ37A*G3018, LEZ37A*G5618 and LGN27A*M3008
	56222	Lead-In Cord	Models ADG41FSS111TN03, AGZ17A*F1102, AGZ28A*F1102, AGZ68A*F1102, BDG30FGS111CW01, CDG3LRGS111CW01, CDG4BFGS111CW01, CGZ68A*F1102, FGZ17A*F1102, LDG3TRGS111CW01, LDG3TRWS111TW05, LGH37A*F1182, LGS17A*K1180, LGT57A*F1100, LGT68A*F1100, LGY47A*F1109, LGZ27A*F1102, LGZ37A*F1102, LGZ57A*F1102, LGZ67A*F1102, MDG3TRWS111TW06, YDG3TRGS111CW01, ZDG30RGS111CW01, ZDG3LRGS111CW01, ZDG41FSS111CN01, ZDG4BFGS111CW01 and ZDG4BRGS111CW01
	513632	Lead-In Cord	Model LES33A*F4562
	59373	Lead-In Cord	Models LES17A*M4588, LGH37A*F5423, LGS17A*F3020, LGS17A*F3081, LGS17A*M3020, LGS17A*M3082, LGS37A*F5412, LGS37A*F5423, LGS38A*M3020 and LGS40A*M3020
	506081	Power Cord Assembly	Models FGN16A*M3013, FGN17A*M3013, LGN27A*M3008, LGN27A*M3013, LGN37A*M3013, LGS27A*M3013, LGS27A*M3080, LGS37A*M3013, LGS37A*M3080, LGS38A*M3013, LGZ27A*M3013 and LGZ37A*M3013
	505945	Power Cord Assembly	Model LGS37A*F3028
	506106	Lead-In Cord Assembly	Models LEN27A*G4008, LEN27A*G99M3 and LES27A*G4000
	512019	Lead-In Cord	Models ADG3TFWS301AW01, ADG3TRWS301AW01, ADG32FSS301AN01, FGS17A*F3060, LGN27A*F3060 and LGS37A*F3060

\* Add Letter To Designate Color. G - Gray L - Almond Q - Bisque W - White

N/A = Part no longer available

# Strain Relief



DRY1866PB\_506054

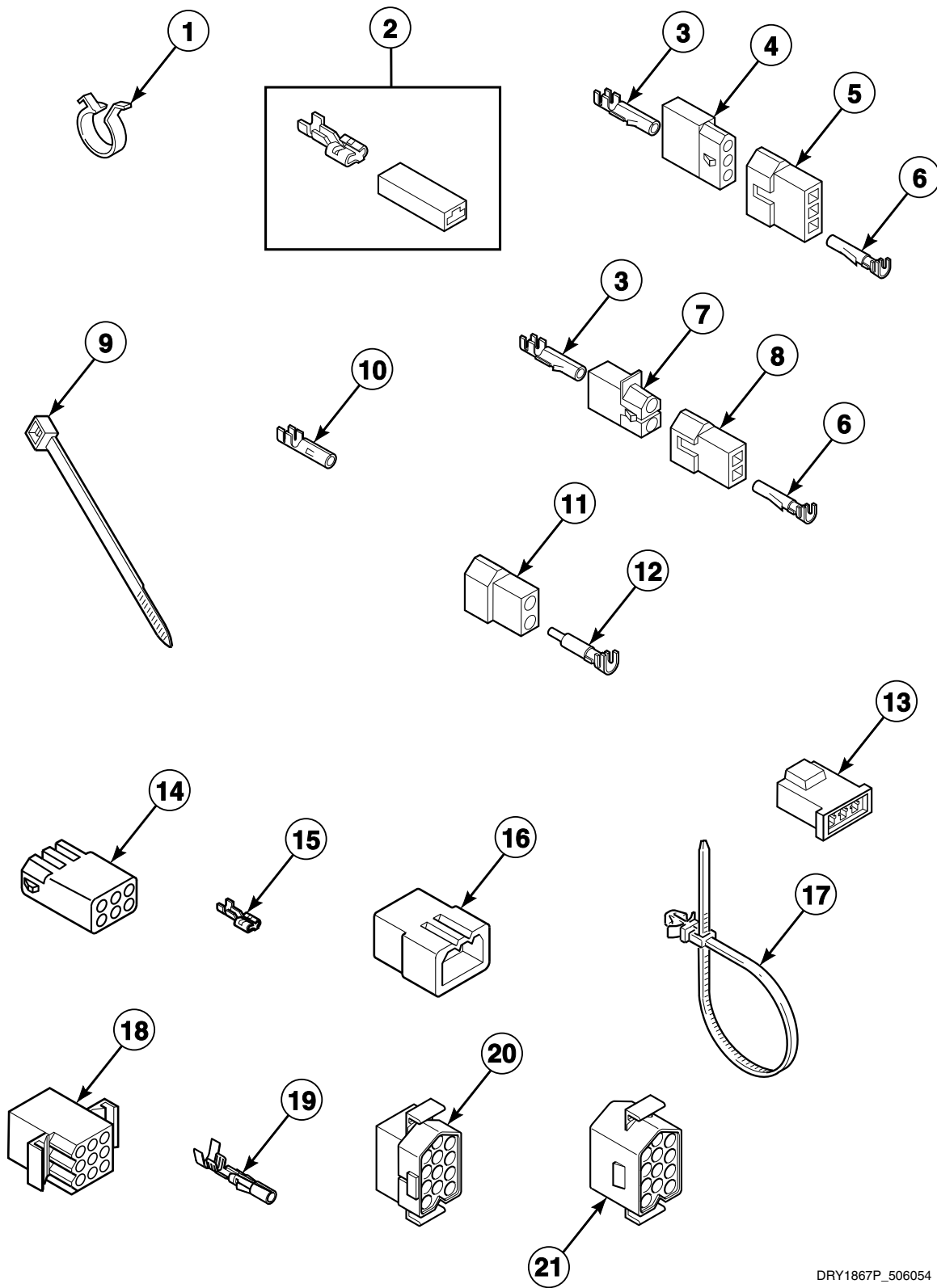
# Strain Relief

REF	PART NO.	DESCRIPTION	COMMENTS
	502496	Strain Relief Adapter	
1	513071	Screw	Models ADE32FSS431AN01, ADE32FSS431NN22, ADE32FSS541RN01, ADG32FSS301AN01 and LGS40A*M3020
	20530	Screw	All other models
2	52113	Strain Relief	Models ADE3TFWS431AW01, ADE3TRGS451LW22, ADE3TRWS431AW01, ADE3TRWS431NW22, ADE3TRWS431NW29, ADE32FSS431AN01, ADE32FSS431NN22, FEN17A*G3018, FES17A*F4350, LDE3TRGS171CW01, LEG37A*F4350, LEK37A*F4350, LEN27A*G3008, LEN27A*G3018, LEN37A*G3018, LES27A*G3018, LES27A*G4518, LES33A*F4562, LES37A*F4350, LES37A*G3018, LEZ27A*G3018, LEZ37A*G3018, LEZ37A*G5618, LGH37A*F5423, LGS17A*F3020, LGS17A*F3081, LGS37A*F5412, LGS37A*F5423 and YDE3TRGS171CW01
	60298	Strain Relief	Models ADG3TRWS301AW01, LGK37A*F3060, LGN27A*F3060 and LGS37A*F3060
	N/A	Strain Relief	Models LGG37A*F3058, LGK37A*F3058 and LGS37A*F3058
	38384	Strain Relief	Models ADG41FSS111TN03, AGZ17A*F1102, AGZ28A*F1102, AGZ68A*F1102, BDG30FGS111CW01, CDG3LRGS111CW01, CDG4BFGS111CW01, CGZ68A*F1102, FGZ17A*F1102, LDG3TRGS111CW01, LDG3TRWS111TW05, LGH37A*F1182, LGS17A*K1180, LGS37A*F3028, LGT57A*F1100, LGT68A*F1100, LGY47A*F1109, LGZ27A*F1102, LGZ37A*F1102, LGZ57A*F1102, LGZ67A*F1102, MDG3TRWS111TW06, YDG3TRGS111CW01, ZDG30RGS111CW01, ZDG3LRGS111CW01, ZDG41FSS111CN01, ZDG4BFGS111CW01 and ZDG4BRGS111CW01
	502500	Strain Relief	Models FGN16A*M3013, FGN17A*M3013, LES17A*M4588, LGN27A*M3013, LGN37A*M3013, LGS17A*M3020, LGS17A*M3082, LGS27A*M3013, LGS27A*M3080, LGS37A*G3013, LGS37A*G3080, LGS37A*M3013, LGS37A*M3080, LGS38A*M3013, LGS38A*M3020, LGS40A*M3020, LGZ27A*M3013, LGZ37A*G3013 and LGZ37A*M3013

\* Add Letter To Designate Color. G - Gray L - Almond Q - Bisque W - White

N/A = Part no longer available

# Terminal Block and Terminals

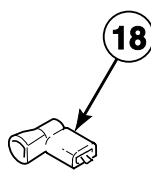
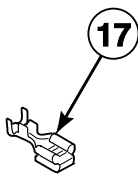
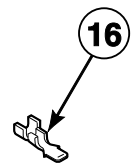
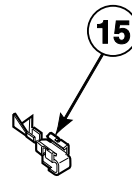
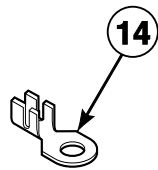
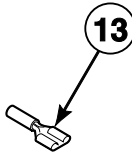
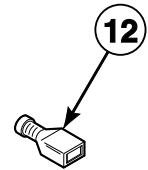
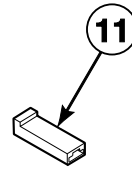
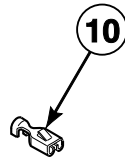
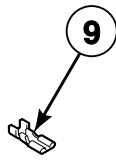
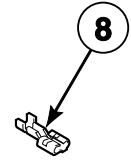
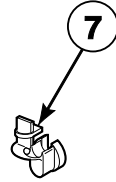
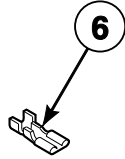
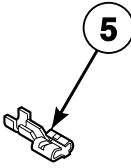
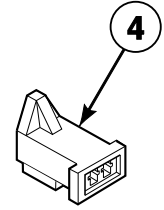
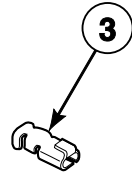
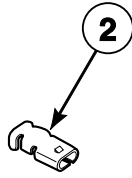
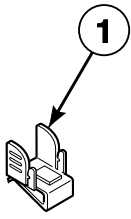


DRY1867P\_506054

## Terminal Block and Terminals

REF	PART NO.	DESCRIPTION	COMMENTS
1	504034	Wire Clip	11/16 inch
	687500	Wire Clip	1 inch
2	00360	Insulated Female Spade Terminal	(1) 12 gauge wire or (2) 18 gauge wires
3	00117	Female Pin Terminal	
4	23039	3 Circuit Receptacle	
5	23040	Plug	
6	00116	Male Pin Terminal	
7	56451	2 Circuit Receptacle	
8	56448	2 Circuit Plug	
9	55881	Harness Strap	
10	00130	Female Pin Terminal	1/8 inch
11	56266	2 Circuit Plug	
12	00127	Male Pin Terminal	1/8 inch
13	58800	3 Circuit Connector	
14	26708	6 Circuit Receptacle	
15	00222	Female Spade Terminal	1/4 inch
16	23033	9 Circuit Plug	
17	38663	Wire Tie	
18	26163	9 Circuit Receptacle	
19	00128	Female Pin Terminal	1/8 inch
	00129	Male Pin Terminal	1/8 inch
20	54522	Plug	
21	56855	12 Circuit Receptacle	

# Terminals



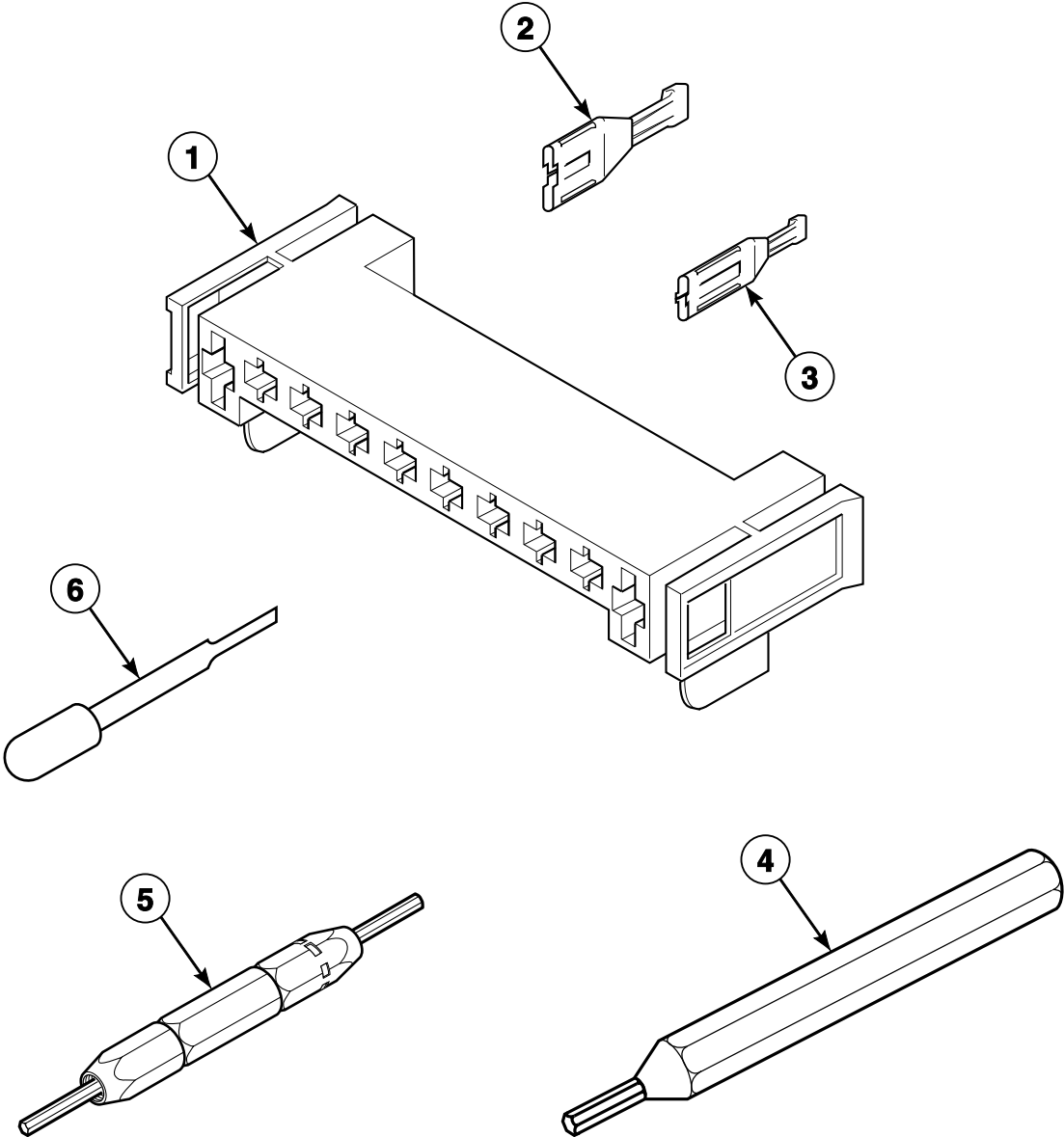
D322P\_506054

# Terminals

REF	PART NO.	DESCRIPTION	COMMENTS
1	00161	Grounding Clip	
2	00189	Female Spade Terminal	
3	00361	Female Piggyback Terminal	Receptacle connector
4	58799	2 Circuit Connector	
5	00223	Female Spade Terminal	1/4 inch; (1) 18 gauge wire
	00121	Female Spade Terminal	1/4 inch; (2) 18 gauge wires or (1) 12 gauge wire
	00245	Spade Terminal	1/4 inch; (1) 22 gauge wire
6	00124	Female Spade Terminal	3/16 inch; (1) 18 gauge wire; .020 tab
	00156	Female Spade Terminal	3/16 inch; Thermostat wire; .032 tab
	N/A	Female Spade Terminal	3/16 inch; (2) 18 gauge wires; .020 tab
7	38384	Strain Relief	
8	N/A	Terminal	
9	00347	Terminal	
10	00115	Female Spade Terminal	1/4 inch; (1) 18 gauge wire
	N/A	Female Spade Terminal	1/4 inch; (2) 18 gauge wires or (1) 12 gauge wire
11	90789	Receptacle Housing	
12	00359	Insulated Female Spade Terminal	1/4 inch
	00165	Insulated Female Terminal	3/16 inch
13	N/A	Pre-Insulated Spade Terminal	1/4 inch; 12 gauge and 18 gauge wire
14	00110	Ring Terminal	10 stud; (1) 18 gauge wire
	00111	Ring Terminal	10 stud; (2) 18 gauge wires or (1) 12 gauge wire
15	00114	Female Spade Terminal	1/4 inch; Double connector
16	00139	Male Tab Terminal	1/4 inch; (2) 18 gauge wires or (1) 12 gauge wire
17	00344	Female Tab Terminal	
18	N/A	Flag Insulated Terminal	

**N/A = Part no longer available**

# Motor Connection Block, Terminal Extractor Tools



DRY1877P\_506054

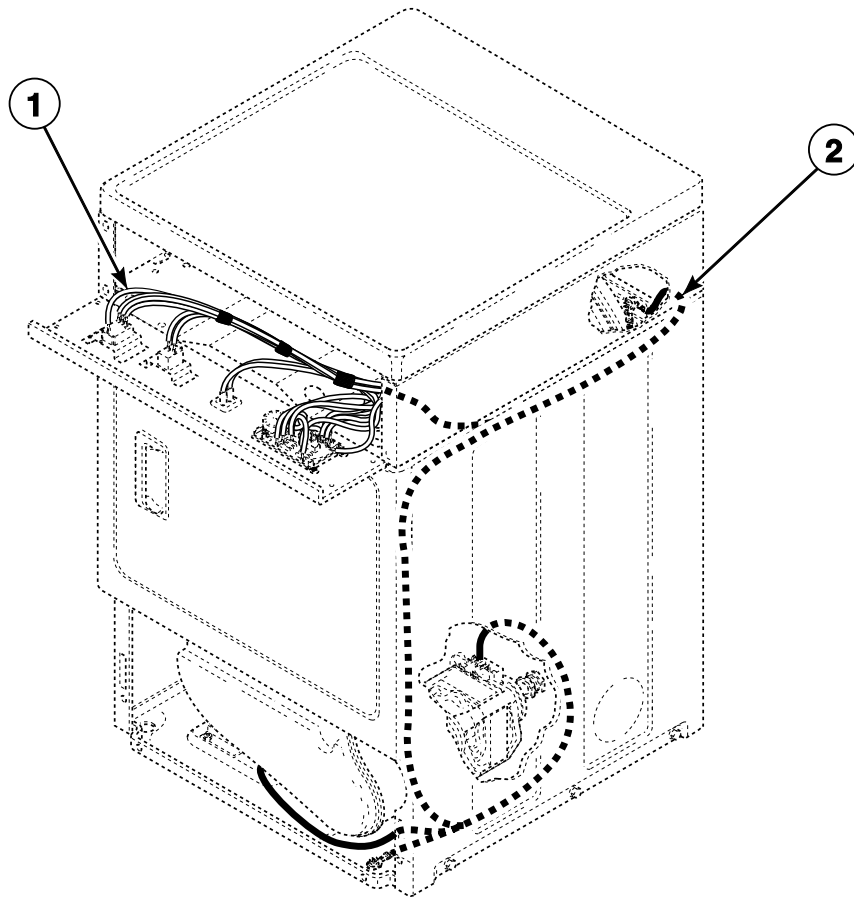


## Motor Connection Block, Terminal Extractor Tools

REF	PART NO.	DESCRIPTION	COMMENTS
1	500338	10 Position Housing	
2	00255	Female Terminal	1/4 inch; For (1) 12 gauge wire
	00256	Female Terminal	1/4 inch; For (1) or (2) 18 gauge wires
3	00188	Female Terminal	For 1 or 2 wire application
4	128P4	Extractor Tool	For use on gas dryer terminals
5	190P4	Extractor Tool	For use on electric dryer terminals
6	283P4	Terminal Extractor Tool	For use on Molex connectors

# Wire Harnesses and Wires - Front Control Models (Drawing 1 of 5)

Models CDE4BFGS171CW01, CEZ68A\*F1702, FGN16A\*M3013 and FGN17A\*M3013



DRY2046P\_506054

## Wire Harnesses and Wires - Front Control Models (Drawing 1 of 5)

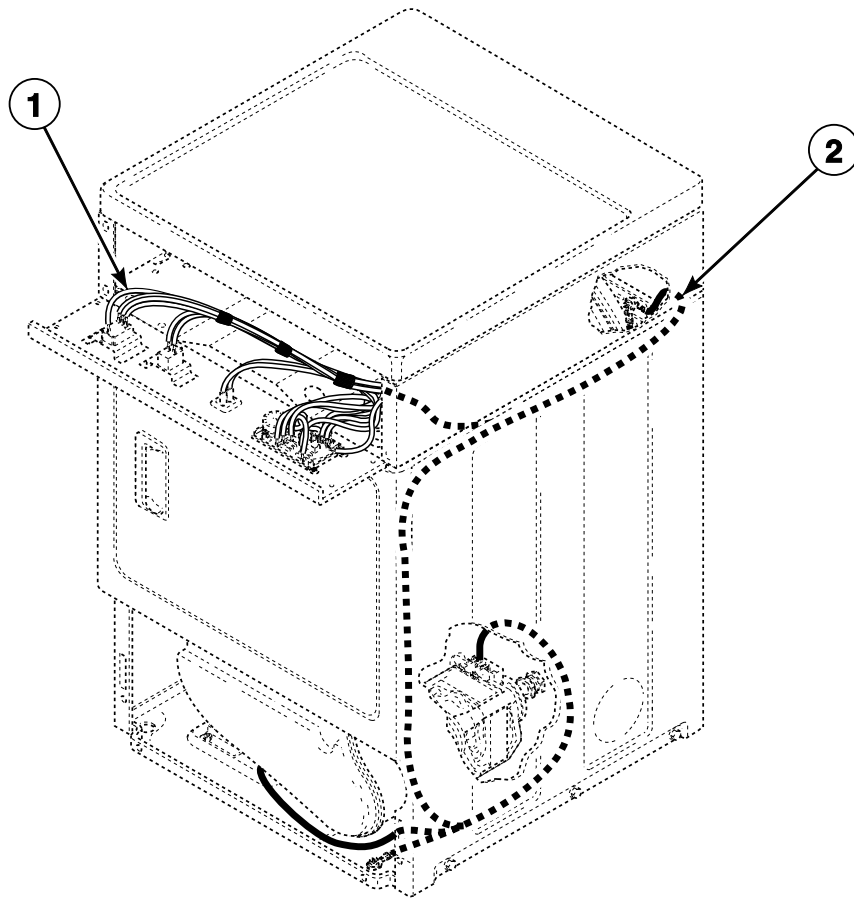
REF	PART NO.	DESCRIPTION	COMMENTS
	45380	12 Gauge Wire	Orange; Order wire by the foot; Order terminals and connectors as required
	45001	18 Gauge Wire	Black; Order wire by the foot; Order terminals and connectors as required
1	511306P	Security Cabinet Harness Assembly	Models FGN16A*M3013 and FGN17A*M3013
	511770	Security Cabinet Harness Assembly	Models CDE4BFGS171CW01 and CEZ68A*F1702
2	511773P	Wire Harness Assembly	Models FGN16A*M3013 and FGN17A*M3013
	511768P	Wire Harness Assembly	Models CDE4BFGS171CW01 and CEZ68A*F1702

\* Add Letter To Designate Color. G - Gray L - Almond Q - Bisque W - White

**NOTE:** Individual wires are not available separately. Order complete harness, or order wire by the foot. When applying terminals to wires, it is recommended that the terminals be soldered to the wires.

# Wire Harnesses and Wires - Front Control Models (Drawing 2 of 5)

All Front Control Models through Serial Nos. beginning 1401 Except ADE41FSS171TN03, BDE30FGS171CW01, CDE4BFGS171CW01, CEZ68\*F1702, FGN16A\*M3013, FGN17A\*M3013, ZDE41FSS171CN01 and ZDE4BFGS171CW01



DRY2046P\_506054

## Wire Harnesses and Wires - Front Control Models (Drawing 2 of 5)

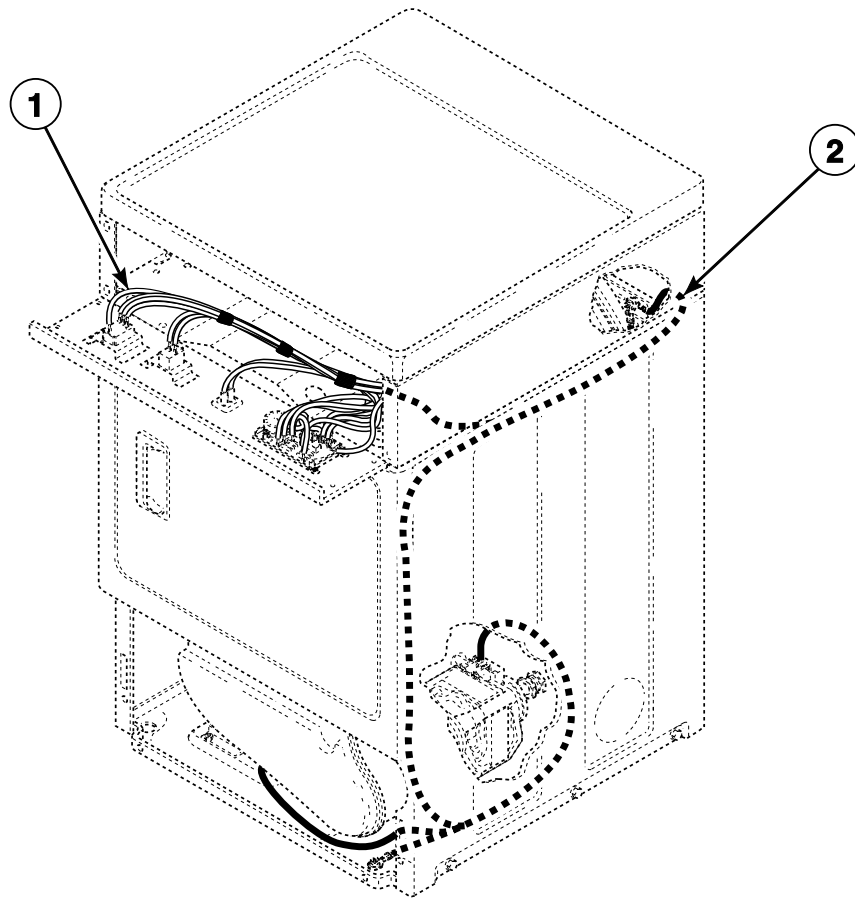
REF	PART NO.	DESCRIPTION	COMMENTS
	45380	12 Gauge Wire	Orange; Order wire by the foot; Order terminals and connectors as required
	45001	18 Gauge Wire	Black; Order wire by the foot; Order terminals and connectors as required
<b>1</b>	511323	Security Cabinet Harness Assembly	Models BDG30FGS111CW01 and FGZ17A*F1102
	511324P	Security Cabinet Harness	Models FEU17A*F1702 and FEZ17A*F1702
	511752P	Security Cabinet Harness Assembly	Models FEN17A*G3018, FES17A*F3300 and FES17A*F4350
	511767	Security Cabinet Harness Assembly	Models ADG3TFWS301AW01 and FGS17A*F3060
	511306P	Security Cabinet Harness Assembly	Models FEN16A*G4018, FEN17A*G4018 and FES16A*G4018
	511770	Security Cabinet Harness Assembly	Models ADE32FSS431AN01, ADE32FSS431NN22, ADE32FSS541RN01 and ADG32FSS301AN01
	511771	Security Cabinet Harness Assembly	Models ADG32FSS301AN01, ADG41FSS111TN03, CDG4BFGS111CW01, CGZ68A*F1102, ZDG41FSS111CN01 and ZDG4BFGS111CW01
	513384	Security Cabinet Harness Assembly	Model ADE3TFWS431AW01
<b>2</b>	511304	Wire Harness Assembly	Models FEN16A*G4018, FEN17A*G4018 and FES16A*G4018
	511329	Wire Harness Assembly	Models BDG30FGS111CW01 and FGZ17A*F1102
	511330	Wire Harness Assembly	Models FEU17A*F1702 and FEZ17A*F1702
	511754	Wire Harness Assembly	Models ADE3TFWS431AW01, FEN17A*G3018, FES17A*F3300 and FES17A*F4350
	511779	Wire Harness Assembly	Models ADG3TFWS301AW01 and FGS17A*F3060
	511769P	Wire Harness Assembly	Models ADG41FSS111TN03, CDG4BFGS111CW01, CGZ68A*F1102, ZDG41FSS111CN01 and ZDG4BFGS111CW01
	513451	Wire Harness Assembly	Model ADG32FSS301AN01
	513452	Wire Harness Assembly	Models ADE32FSS431AN01, ADE32FSS431NN22 and ADE32FSS541RN01

\* Add Letter To Designate Color. **G** - Gray **L** - Almond **Q** - Bisque **W** - White

**NOTE:** Individual wires are not available separately. Order complete harness, or order wire by the foot. When applying terminals to wires, it is recommended that the terminals be soldered to the wires.

# Wire Harnesses and Wires - Front Control Models (Drawing 3 of 5)

Models ADE41FSS171TN03, BDE30FGS171CW01, ZDE41FSS171CN01 and ZDE4BFGS171CW01  
Models Through Serial No. 1303025314



DRY2046P\_506054

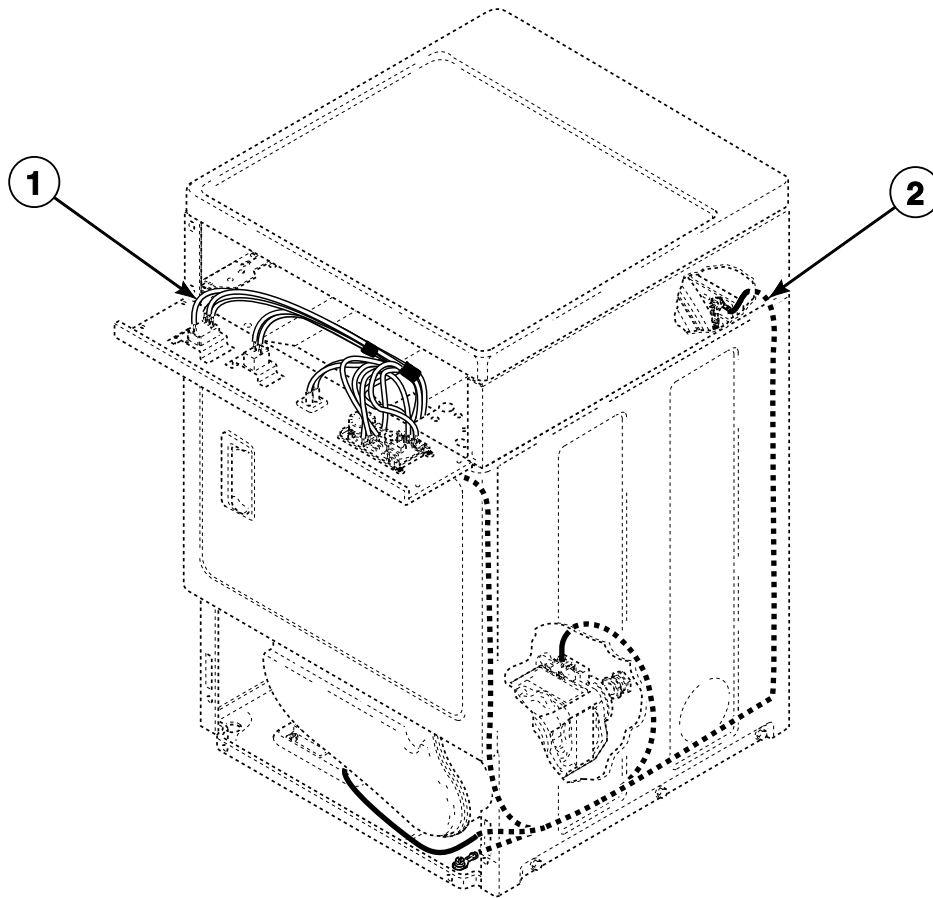
## Wire Harnesses and Wires - Front Control Models (Drawing 3 of 5)

REF	PART NO.	DESCRIPTION	COMMENTS
	45380	12 Gauge Wire	Orange; Order wire by the foot; Order terminals and connectors as required
	45001	18 Gauge Wire	Black; Order wire by the foot; Order terminals and connectors as required
1	511324P	Security Cabinet Harness	Model BDE30FGS171CW01
	511770	Security Cabinet Harness Assembly	Models ADE41FSS171TN03, ZDE41FSS171CN01 and ZDE4BFGS171CW01
2	511330	Wire Harness Assembly	Model BDE30FGS171CW01
	511768P	Wire Harness Assembly	Models ADE41FSS171TN03, ZDE41FSS171CN01 and ZDE4BFGS171CW01

**NOTE: Individual wires are not available separately. Order complete harness, or order wire by the foot. When applying terminals to wires, it is recommended that the terminals be soldered to the wires.**

# Wire Harnesses and Wires - Front Control Models (Drawing 4 of 5)

All Front Control Models Starting Serial Nos. beginning 1401 Except ADE41FSS171TN03, BDE30FGS171CW01, CDE4BFGS171CW01, CEZ68\*F1702, FGN16A\*M3013, FGN17A\*M3013, ZDE41FSS171CN01 and ZDE4BFGS171CW01



DRY2290P\_506054



## Wire Harnesses and Wires - Front Control Models (Drawing 4 of 5)

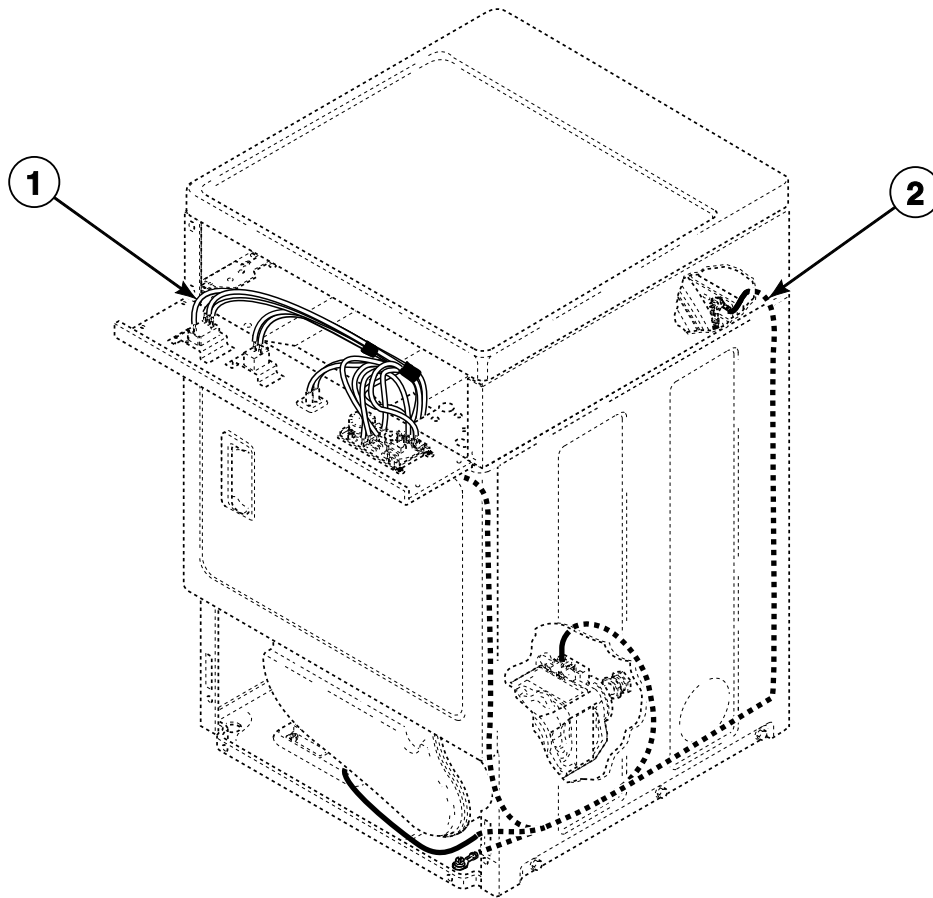
REF	PART NO.	DESCRIPTION	COMMENTS
	45380	12 Gauge Wire	Orange; Order wire by the foot; Order terminals and connectors as required
	45001	18 Gauge Wire	Black; Order wire by the foot; Order terminals and connectors as required
<b>1</b>	511323	Security Cabinet Harness Assembly	Models BDG30FGS111CW01 and FGZ17A*F1102
	511324P	Security Cabinet Harness	Models FEU17A*F1702 and FEZ17A*F1702
	511752P	Security Cabinet Harness Assembly	Models FEN17A*G3018, FES17A*F3300 and FES17A*F4350
	511767	Security Cabinet Harness Assembly	Models ADG3TFWS301AW01 and FGS17A*F3060
	511306P	Security Cabinet Harness Assembly	Models FEN16A*G4018, FEN17A*G4018 and FES16A*G4018
	511770	Security Cabinet Harness Assembly	Models ADE32FSS431AN01, ADE32FSS431NN22, ADE32FSS541RN01 and ADG32FSS301AN01
	511771	Security Cabinet Harness Assembly	Models ADG32FSS301AN01, ADG41FSS111TN03, CDG4BFGS111CW01, CGZ68A*F1102, ZDG41FSS111CN01 and ZDG4BFGS111CW01
	513384	Security Cabinet Harness Assembly	Model ADE3TFWS431AW01
<b>2</b>	513804	Wire Harness Assembly	Models FEN16A*G4018, FEN17A*G4018 and FES16A*G4018
	513823	Wire Harness Assembly	Models BDG30FGS111CW01 and FGZ17A*F1102
	513948	Wire Harness Assembly	Models FEU17A*F1702 and FEZ17A*F1702
	513806	Wire Harness Assembly	Models ADE3TFWS431AW01, FEN17A*G3018, FES17A*F3300 and FES17A*F4350
	513805	Wire Harness Assembly	Models ADG3TFWS301AW01 and FGS17A*F3060
	513803	Wire Harness Assembly	Models ADG41FSS111TN03, CDG4BFGS111CW01, CGZ68A*F1102, ZDG41FSS111CN01 and ZDG4BFGS111CW01
	513815	Wire Harness Assembly	Model ADG32FSS301AN01
	513822	Wire Harness Assembly	Models ADE32FSS431AN01, ADE32FSS431NN22 and ADE32FSS541RN01

\* Add Letter To Designate Color. G - Gray L - Almond Q - Bisque W - White

**NOTE:** Individual wires are not available separately. Order complete harness, or order wire by the foot. When applying terminals to wires, it is recommended that the terminals be soldered to the wires.

# Wire Harnesses and Wires - Front Control Models (Drawing 5 of 5)

Models ADE41FSS171TN03, BDE30FGS171CW01, ZDE41FSS171CN01 and ZDE4BFGS171CW01  
Models Starting Serial No. 1303025315



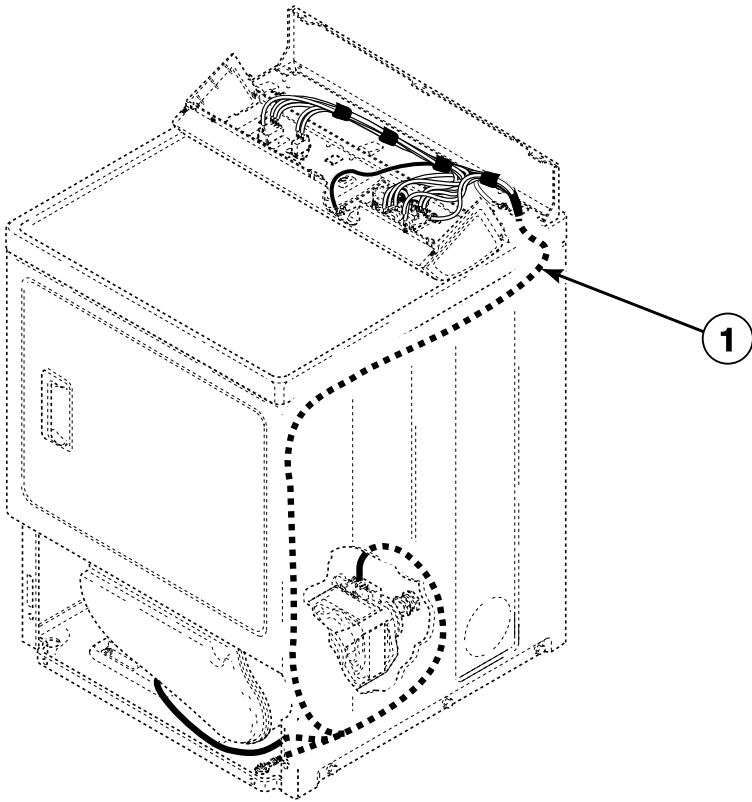
DRY2290P\_506054

## Wire Harnesses and Wires - Front Control Models (Drawing 5 of 5)

REF	PART NO.	DESCRIPTION	COMMENTS
	45380	12 Gauge Wire	Orange; Order wire by the foot; Order terminals and connectors as required
	45001	18 Gauge Wire	Black; Order wire by the foot; Order terminals and connectors as required
1	511324P	Security Cabinet Harness	Model BDE30FGS171CW01
	511770	Security Cabinet Harness Assembly	Models ADE41FSS171TN03, ZDE41FSS171CN01 and ZDE4BFGS171CW01
2	513948	Wire Harness Assembly	Model BDE30FGS171CW01
	513808	Wire Harness Assembly	Models ADE41FSS171TN03, ZDE41FSS171CN01 and ZDE4BFGS171CW01

**NOTE: Individual wires are not available separately. Order complete harness, or order wire by the foot. When applying terminals to wires, it is recommended that the terminals be soldered to the wires.**

# Wire Harnesses and Wires - Rear Control Models Through Serial No. 1207



DRY2047P\_506054

## Wire Harnesses and Wires - Rear Control Models Through Serial No. 1207

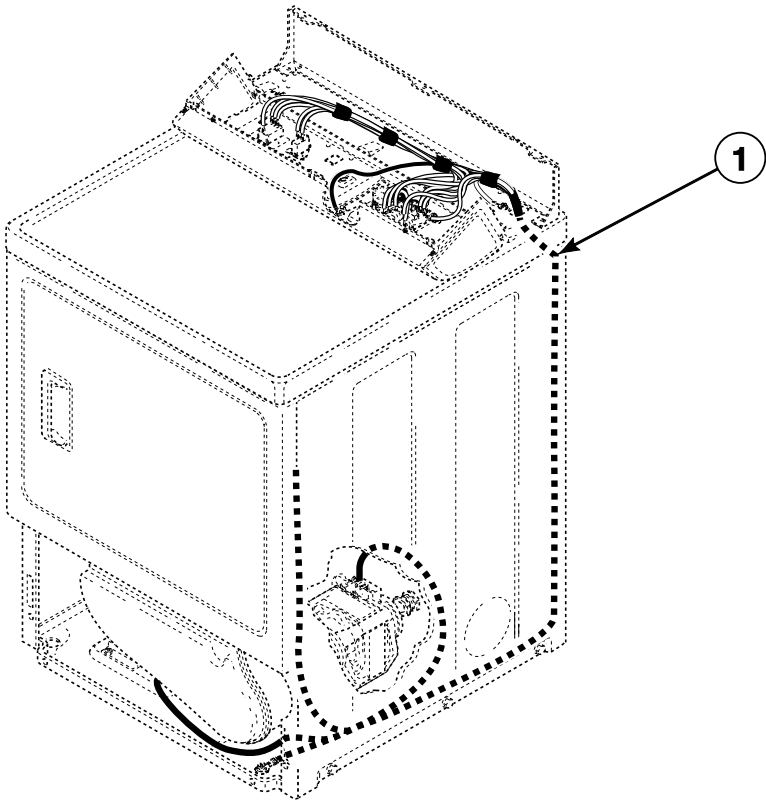
REF	PART NO.	DESCRIPTION	COMMENTS
	45380	12 Gauge Wire	Orange; Order wire by the foot; Order terminals and connectors as required
	45477	12 Gauge Wire	Green/yellow stripe; Order wire by the foot; Order terminals and connectors as required
	45001	18 Gauge Wire	Black; Order wire by the foot; Order terminals and connectors as required
1	510420P	Wire Harness Assembly	Models ADE3TRWS431AW01, ADE3TRWS431NW22, EDE3TRWS543PW01, FDE3TRGS301NW10, LDE3TRWS331TW05, LEG37A*F4350, LEH37A*F3300, LEK37A*F4350, LES17A*F3000, LES17A*F3007, LES17A*F3022, LES17A*F4500, LES17A*M4588, LES37A*F3000, LES37A*F3028, LES37A*F3300, LES37A*F3327, LES37A*F4350, LES37A*F5412, LEZ37A*F3000, LEZ37A*F3300 and MDE3TRWS331TW06
	510460	Wire Harness Assembly	Models LEN27A*G3008, LEN27A*G3018, LEN37A*G3018, LES27A*G3018, LES37A*G3018, LEZ27A*G3018, LEZ37A*G3018 and LEZ37A*G5618
	510444	Wire Harness Assembly	Models AEZ28A*F1702, AEZ68A*F1702, CDE3LRGS171CW01, LET57A*F1700, LET67A*F1700, LET68A*F1700, LEZ57A*F1702, LEZ67A*F1702, ZDE3LRGS171CW01 and ZDE4BRGS171CW01
	511301P	Wire Harness Assembly	Models LGN27A*M3008, LGN27A*M3013, LGN37A*M3013, LGS27A*M3013, LGS27A*M3080, LGS37A*F3028, LGS37A*M3013, LGS37A*M3080, LGZ27A*M3013 and LGZ37A*M3013
	N/A	Wire Harness Assembly	Models LEB07A*F1709, LEY47A*F1709, LGG37A*F3058, LGK37A*F3058, LGS17A*F3020, LGS17A*F3081, LGS17A*M3020, LGS17A*M3082, LGS37A*F3058, LGT57A*F1100, LGT68A*F1100, LGY47A*F1109, LGZ37A*G3013, LGZ57A*F1102 and LGZ67A*F1102
	510425P	Wire Harness Assembly	Models AGZ17A*F1102, LGS17A*K1180 and ZDG30RGS111CW01
	510423	Wire Harness Assembly	Models FDG3TRGS301NW10, LGH37A*F5423, LGS37A*F3000, LGS37A*F3022, LGS37A*F3080, LGS37A*F5412, LGS37A*F5423 and LGZ37A*F3000
	510403	Wire Harness Assembly	Models LDG3TRWS111TW05, LGH37A*F1182, LGZ27A*F1102, LGZ37A*F1102 and MDG3TRWS111TW06
	510402P	Wire Harness Assembly	Models AEZ17A*F1702, LED17A*F1700, LEZ27A*F1502, LEZ27A*F1702, LEZ37A*F1702 and ZDE30RGS171CW01
	510478	Wire Harness Assembly	Models FDE3TRGS401NW22, LEN27A*G4008, LEN27A*G4018, LEN27A*G99M3, LEN37A*G4018, LES27A*G4000, LES27A*G4018, LES37A*G4018, LEZ27A*G4018 and LEZ37A*G4018
	511342	Wire Harness Assembly	Model LES28A*G4018
	511785	Wire Harness Assembly	Models LGS38A*M3013, LGS38A*M3020 and LGS40A*M3020
	511777	Wire Harness Assembly	Models AGZ28A*F1102, CDG3LRGS111CW01 and ZDG3LRGS111CW01
	510443P	Wire Harness Assembly	Models AGZ68A*F1102 and ZDG4BRGS111CW01
	511335	Wire Harness Assembly	Models ADG3TRWS301AW01, LGK37A*F3060 and LGS37A*F3060

\* Add Letter To Designate Color. G - Gray L - Almond Q - Bisque W - White

N/A = Part no longer available

**NOTE: Individual wires are not available separately. Order complete harness, or order wire by the foot. When applying terminals to wires, it is recommended that the terminals be soldered to the wires.**

# Wire Harnesses and Wires - Rear Control Models Starting Serial No. 1207



DRY2268P\_506054

## Wire Harnesses and Wires - Rear Control Models Starting Serial No. 1207

REF	PART NO.	DESCRIPTION	COMMENTS
	45380	12 Gauge Wire	Orange; Order wire by the foot; Order terminals and connectors as required
	45477	12 Gauge Wire	Green/yellow stripe; Order wire by the foot; Order terminals and connectors as required
	45001	18 Gauge Wire	Black; Order wire by the foot; Order terminals and connectors as required
1	513654	Wire Harness Assembly	Models LES37A*F3300 and MDE3TRWS331TW06 through Serial No. 1303025314; Models ADE3TRGS451LW22, ADE3TRWS431AW01, ADE3TRWS431NW22, ADE3TRWS431NW29, EDE3TRWS543PW01, FDE3TRGS301NW10, LDE3TRWS331TW05, LEG37A*F4350, LEH37A*F3300, LEK37A*F4350, LES17A*F3000, LES17A*F3007, LES17A*F3022, LES17A*F4500, LES17A*M4588, LES37A*F3000, LES37A*F3028, LES37A*F3327, LES37A*F4350, LES37A*F5412, LEZ37A*F3000 and LEZ37A*F3300
	514078	Harness Assembly	Models LDE3TRWS541NW22, LES37A*F3300 and MDE3TRWS331TW06; Models starting Serial No. 1303025315
	513662	Wire Harness Assembly	Models LEN27A*G3008, LEN27A*G3018, LEN37A*G3018, LES27A*G3018, LES37A*G3018, LEZ27A*G3018, LEZ37A*G3018 and LEZ37A*G5618
	513660	Wire Harness Assembly	Models ZDE3LRGS171CW01 and ZDE4BRGS171CW01 through Serial No. 1303025314; Models AEZ28A*F1702, AEZ68A*F1702, CDE3LRGS171CW01, LET57A*F1700, LET67A*F1700, LET68A*F1700, LEZ57A*F1702 and LEZ67A*F1702
	513880	Harness Assembly	Models ZDE3LRGS171CW01 and ZDE4BRGS171CW01 starting Serial No. 1303025315
	513661	Wire Harness Assembly	Models LGN27A*M3008, LGN27A*M3013, LGN37A*M3013, LGS27A*M3013, LGS27A*M3080, LGS37A*F3028, LGS37A*M3013, LGS37A*M3080, LGZ27A*M3013 and LGZ37A*M3013
	513655	Wire Harness Assembly	Models AGZ17A*F1102, LGS17A*K1180 and ZDG30RGS111CW01
	513653	Wire Harness Assembly	Models FDG3TRGS301NW10, LGH37A*F5423, LGS37A*F3000, LGS37A*F3022, LGS37A*F3080, LGS37A*F5412, LGS37A*F5423 and LGZ37A*F3000
	513651	Wire Harness Assembly	Models LDG3TRGS111CW01, LDG3TRWS111TW05, LGH37A*F1182, LGZ27A*F1102, LGZ37A*F1102, MDG3TRWS111TW06 and YDG3TRGS111CW01
	513652	Wire Harness Assembly	Models AEZ17A*F1702, LDE3TRGS171CW01, LED17A*F1700, LEZ27A*F1502, LEZ27A*F1702, LEZ37A*F1702 and YDE3TRGS171CW01; Model ZDE30RGS171CW01 through Serial No. 1303025314
	514100	Harness Assembly	Model ZDE30RGS171CW01 starting Serial No. 1303025315
	513664	Wire Harness Assembly	Models FDE3TRGS401NW22, LEN27A*G4008, LEN27A*G4018, LEN27A*G99M3, LEN37A*G4018, LES27A*G4000, LES27A*G4018, LES37A*G4018, LEZ27A*G4018 and LEZ37A*G4018
	513666	Wire Harness Assembly	Model LES28A*G4018
	513667	Wire Harness Assembly	Models LGS38A*M3013, LGS38A*M3020 and LGS40A*M3020
	513665	Wire Harness Assembly	Models AGZ28A*F1102, CDG3LRGS111CW01 and ZDG3LRGS111CW01
	513659	Wire Harness Assembly	Models AGZ68A*F1102 and ZDG4BRGS111CW01
	513663	Wire Harness Assembly	Models ADG3TRWS301AW01, LGK37A*F3060, LGN27A*F3060 and LGS37A*F3060

\* Add Letter To Designate Color. G - Gray L - Almond Q - Bisque W - White

**NOTE: Individual wires are not available separately. Order complete harness, or order wire by the foot. When applying terminals to wires, it is recommended that the terminals be soldered to the wires.**





# Parts Index

## A

Access Cover Plate	
514356 .....	69
Access Panel	
510069LP .....	27
514253 .....	27
Access Panel and Guard Assembly	
514252Q .....	27
514252W .....	27
Access Panel Assembly	
514250G .....	27
514250Q .....	27
514250WP .....	27
514251 .....	27
Access Panel Plate	
510903 .....	69
Adhesive	
511637P .....	35, 39, 45, 49
Adjustable Buzzer	
504103 .....	11, 15, 17
505447 .....	11
Air Duct Assembly	
510151LG .....	37, 41
510151W .....	37, 41
Anti-Seize Compound	
27604P .....	29, 31

## B

Badge	
803013 .....	17
803101 .....	17
Block to Relay Harness	
511112P .....	55
Blower and Fan Kit	
510717P .....	29
Blower Fan Assembly	
510139P .....	31
Blower Housing	
511969LG .....	31
511969WP .....	31
Blower Housing Seal	
510238P .....	31
Bolt	
29651 .....	13, 15, 17
Booster and Holding Coil	
58804A .....	59
59063A .....	59
Bracket	
510146 .....	19
Bulkhead Assembly	
505899WP .....	39
Bumper Pad	
56128 .....	69
Burner Assembly	
510149P .....	59, 63
Buzzer	
510211 .....	11, 15, 17

## C

Cabinet Rear Panel	
514632P .....	69
Cabinet Side Panel	
510001GP .....	69
510001LP .....	69
510001QP .....	69
510001WP .....	69
510002GP .....	69
510002LP .....	69
510002QP .....	69
510002WP .....	69
512539 .....	69
512951 .....	69
Caution Label	
500253 .....	25
Clean Lint Label	
502804 .....	25
Combustion Duct	
510131 .....	57
510132 .....	57
Connector, 2 Circuit	
58799 .....	77
Connector, 3 Circuit	
58800 .....	75
Contactora	
F330177P .....	55
Contactora Bracket	
511859 .....	69
Control Cabinet	
513701G .....	17
513702G .....	17
803141 .....	17
803142 .....	17
Control Cabinet Bottom	
801777 .....	13, 15, 17
Control Knob Assembly	
803099P .....	17
803119P .....	9, 15
Control Panel Assembly	
511421W .....	13
512067W .....	15
513161 .....	17
Control Support Panel	
503901 .....	9
Conversion Kit	
756P3 .....	55
Cylinder Assembly	
505929WP .....	43
510159LG .....	43
510159WP .....	43
510265LG .....	43
510265WP .....	43
512940P .....	43
Cylinder Baffle	
510102LG .....	43
510102W .....	43
Cylinder Belt	
511255P .....	31

N/A items do not appear in index.

Cylinder Glide	
513710 .....	35, 39
Cylinder Glide Bracket	
510145 .....	35, 39
Cylinder Light Assembly	
512109 .....	39
Cylinder Light Lens	
512106 .....	39
Cylinder Roller	
510708P .....	45, 49
Cylinder Roller Bracket	
510100 .....	45, 49
Cylinder Seal Assembly	
510207P .....	35, 39, 45, 49

## D

Din Rail	
M412693 .....	55
Directional Exhaust Kit	
528P3 .....	69
Disconnect Power Warning Label	
505281 .....	13, 19
Domed Label	
202128 .....	13
800921 .....	13
800922 .....	13
800923 .....	13
Door Catch Assembly	
510177 .....	25
Door Handle	
803095 .....	21
Door Handle Wedge	
510129 .....	23
510129LG .....	23
Door Pull and Wedge Kit	
510103LP .....	23
510103QP .....	23
510103WP .....	23
511213P .....	23
Door Strike	
510181 .....	21, 23
Door Strike Mount	
510127 .....	21, 23
Drip Shield	
514327 .....	25
Drum Light Lamp	
503579 .....	39
60954 .....	39
Dryer Base	
513901 .....	69
Dryer Door	
510013GP .....	23
510013LP .....	23
510013QP .....	23
510013WP .....	23
513156 .....	21
Drying Rack	
512082P .....	43
Dual Contactor Harness	
514920 .....	55

## E

Elbow	
513072 .....	59
Elbow Shut-Off Valve	
510205 .....	59, 63
Electric Clearance Label	
511005 .....	69
Electrical Shock Label	
502511 .....	13
End Panel	
504006P .....	9
504007P .....	9
504008L .....	9
504008QP .....	9
504008WP .....	9
504009QP .....	9
504009WP .....	9
End Stop	
70121001 .....	55
Exhaust Duct	
510137 .....	69
Expansion Clip	
70030501 .....	13, 15, 17
Extractor Tool	
128P4 .....	79
190P4 .....	79

## F

Fabric Selector Switch	
513504 .....	11
513505 .....	11, 13, 15
513506 .....	11, 17
Felt Pad	
510189 .....	35, 39
Female Piggyback Terminal	
00361 .....	77
Female Pin Terminal	
00117 .....	75
00128 .....	75
00130 .....	75
Female Spade Terminal	
00114 .....	77
00115 .....	77
00121 .....	77
00124 .....	77
00156 .....	77
00189 .....	77
00222 .....	75
00223 .....	77
Female Tab Terminal	
00344 .....	77
Female Terminal	
00188 .....	79
00255 .....	79
00256 .....	79
Flexible Venting Kit	
521P3 .....	69
Front Bulkhead Assembly	
510061 .....	35
510266P .....	35
511033WP .....	35

N/A items do not appear in index.

512476 .....	39
Front Panel	
510066GP .....	25
510066LP .....	25
510066QP .....	25
510066WP .....	25
512542 .....	25
Front Panel Seal	
511056 .....	25
Fuse	
502592 .....	19
502593 .....	19
Fuse Carrier	
502811 .....	19
Fuse Holder Bracket	
502589 .....	19
Fuse Holder Kit	
502591P .....	19

## G

Gas Clearance Label	
511004 .....	69
Gas Valve Assembly	
502423P .....	63
510506P .....	59
59063P .....	59
Gas Valve Mounting Bracket	
510128 .....	59, 63
Glide Kit	
RB170003 .....	35, 39
Graphic Overlay	
511406 .....	13
511656 .....	13
511913 .....	15
512751 .....	15
513019 .....	15
513245 .....	15
Graphic Panel	
503394 .....	7
504020W .....	7
504070W .....	7
504072QP .....	7
504072WP .....	7
504107W .....	7
504197Q .....	7
504197W .....	7
505157WP .....	7
505850 .....	7
505911 .....	7
505912 .....	7
505913 .....	7
511437 .....	7
511639 .....	7
511882 .....	7
511902W .....	7
511914W .....	7
512166W .....	7
512167W .....	7
512168W .....	7
512370 .....	7
512622W .....	7
512752W .....	7
513016W .....	7
513017W .....	7

513018W .....	7
513244W .....	7
513523W .....	7
513764W .....	7
515439W .....	7
516138W .....	7
Grounding Clip	
00161 .....	77

## H

Handle Cover	
803094P .....	21
Harness Assembly	
513880 .....	93
514078 .....	93
514100 .....	93
Harness Strap	
55881 .....	75
Heat Duct Shroud	
510101 .....	57
Heater	
511014P .....	55
Heater Assembly	
510324P .....	51
510326P .....	51
510327P .....	51
510328P .....	51
510329P .....	51
510330P .....	51
511503P .....	51
Heater Duct and Screw Assembly	
510025P .....	51, 55, 57
Heater Kit	
964P3 .....	53
966P3 .....	53
Heater Kit Assembly	
61927 .....	53
61929 .....	53
61930 .....	53
61931 .....	53
Hinge	
511036 .....	13, 15, 17, 21, 23
Hinge Hole Plug	
510186 .....	25
Hold Down Kit	
526P3 .....	69
Hold-Down Clip	
35358 .....	19
Hood Back Panel	
510099 .....	19
804169 .....	19
Housing, 10 Position	
500338 .....	79

## I

Idler Lever	
510133 .....	31
Idler Lever and Wheel Assembly	
510158 .....	31

N/A items do not appear in index.

Idler Spring	
510185 .....	31
Idler Wheel and Bearing Assembly	
510142P .....	31
Igniter and Bracket Assembly	
510184P .....	59
Igniter and Sensor Assembly	
502995P .....	63
Igniter Control	
502994P .....	63
Ignition Control Bracket	
502425 .....	63
Insulated Female Spade Terminal	
00359 .....	77
00360 .....	75
Insulated Female Terminal	
00165 .....	77

## J

Jumper Wire Assembly	
511270 .....	55

## K

Knob Assembly	
36701L .....	9, 13
36701Q .....	9, 13, 15
36701W .....	9, 13, 15
511439 .....	9
803118P .....	15
803168P .....	9

## L

Lead-In Cord	
512019 .....	71
513632 .....	71
56222 .....	71
59373 .....	71
Lead-In Cord Assembly	
503597 .....	71
506106 .....	71
510505P .....	71
Lead-In Cord Kit	
61605P .....	71
Lead-In Pipe Assembly	
510204 .....	59, 63
Left Control Cabinet Side	
800900LP .....	13
800900QP .....	13, 15
800900WP .....	13, 15
Leveling Leg	
510135 .....	69
Light Housing Assembly	
512108 .....	39
Limit Thermostat	
510700 .....	33, 51
510701 .....	51, 55
510702 .....	57

Liner Door Seal	
510147P .....	21, 23
Liner, Seal and Grill Assembly	
510163WP .....	23
510289 .....	23
513109P .....	21, 23
Lint Filter	
503980LG .....	37, 41
503980W .....	37, 41
Lint Filter Cover	
510502LG .....	37, 41
510502W .....	37, 41
Lint Filter Label	
502781 .....	25
L.P. Conversion Kit	
401P3 .....	61, 63
599P3 .....	61, 63
649P3 .....	61
L.P. Orifice	
503786 .....	65
58755 .....	65
60941 .....	65

## M

Male Pin Terminal	
00116 .....	75
00127 .....	75
00129 .....	75
Male Tab Terminal	
00139 .....	77
Manual Reset Thermostat	
M411941 .....	33
Motor and Pulley Assembly	
505843P .....	29
505869P .....	29
511629P .....	29
Motor Hub Ring Kit	
590P3 .....	29
Motor Mount	
510060 .....	31
Motor Mount Clamp	
510180 .....	31
Motor Pulley	
500011 .....	29
500222 .....	29
Motor Shield	
514602 .....	31

## N

Nut	
29796 .....	15
36020 .....	17
44087201 .....	13, 17
52566 .....	31
56156 .....	31, 45, 49
N.G. Conversion Kit	
402P3 .....	61, 63
650P3 .....	61
N.G. Orifice	
503778 .....	67
503779 .....	67

N/A items do not appear in index.

503780 .....	67
503781 .....	67
503782 .....	67

## O

Outlet Cover	
500820 .....	51, 55, 57

## P

Panel	
513093 .....	17
513112 .....	17
513443 .....	17
Panel Locator	
56079 .....	25, 27, 69
Pinched Fingers Label	
502506 .....	37
Plug	
23040 .....	75
54522 .....	75
Plug, 2 Circuit	
56266 .....	75
56448 .....	75
Plug, 9 Circuit	
23033 .....	75
Pop Rivet	
685847 .....	17
Porcelain Touch-Up Paint	
122P4P .....	69
215P4P .....	69
370P4P .....	69
Power Cord Assembly	
505945 .....	71
506081 .....	71

## R

Rear Bulkhead Assembly	
505246 .....	45, 49
510041 .....	45
510905WP .....	45, 49
511082P .....	45, 49
Rear Control Cabinet	
801058 .....	13, 15, 17
Rear Shield	
514335 .....	69
Receptacle Housing	
90789 .....	77
Receptacle, 12 Circuit	
56855 .....	75
Receptacle, 2 Circuit	
56451 .....	75
Receptacle, 3 Circuit	
23039 .....	75
Receptacle, 6 Circuit	
26708 .....	75
Receptacle, 9 Circuit	
26163 .....	75

Relay	
502501 .....	19
Relay Harness	
514918 .....	55
Relay to Heater Harness	
511114P .....	55
Resistor Assembly	
511277 .....	11, 13, 15, 17
Retaining Ring	
23748 .....	31, 45, 49
Right Control Cabinet Side	
800915L .....	13
800915Q .....	13, 15
800915W .....	13, 15
Ring Terminal	
00110 .....	77
00111 .....	77
Rivet	
514375 .....	69
Rocker Switch	
38424L .....	9
38424Q .....	9, 15
38424W .....	9, 15
Roller Kit	
RB170002 .....	45, 49
Rubber Foot	
501855 .....	69

## S

Screw	
F430956 .....	17
M405188 .....	17
20530 .....	73
23008 .....	17
23222 .....	51, 55, 59
31260 .....	31
33562 .....	27
39733 .....	25, 27, 69
500227 .....	39
500824 .....	31
501086 .....	9, 11, 15, 17, 19, 39
501285 .....	37, 41, 47, 49
502535 .....	33, 63
503661 .....	49
503688 .....	13, 17, 19, 25, 31, 35, 39, 45, 47, 49, 51, 55, 57, 59, 63, 69
512921 .....	69
513071 .....	73
514461 .....	21, 23, 35, 39
51782 .....	57, 59, 63
52864 .....	35
56124 .....	59, 63
61199 .....	47
62588 .....	43
70240301 .....	13, 15, 17
800548 .....	21
800930 .....	13, 15
Screw Orifice	
58719 .....	67
Seal Kit	
RB170001 .....	35, 39, 45, 49
Secondary Coil	
58804B .....	59
59063B .....	59

N/A items do not appear in index.

Security Cabinet Harness	
511324P .....	83, 85, 87, 89
Security Cabinet Harness Assembly	
511306P .....	81, 83, 87
511323 .....	83, 87
511752P .....	83, 87
511767 .....	83, 87
511770 .....	81, 83, 85, 87, 89
511771 .....	83, 87
513384 .....	83, 87
Selector Switch	
803568 .....	17
Sensor	
510213 .....	59
Shaft	
56461P .....	31, 45, 49
Spade Terminal	
00245 .....	77
Speed Clip	
28835 .....	25
Stainless Steel Top	
511631P .....	13
Strain Relief	
38384 .....	73, 77
502500 .....	73
52113 .....	73
60298 .....	73
Strain Relief Adapter	
502496 .....	73
Switch	
512973 .....	25

## T

Terminal	
00347 .....	77
Terminal Block Assembly	
505876 .....	49
510190P .....	47
Terminal Block Shield	
505768 .....	47, 49
510237 .....	47
514330 .....	47
Terminal Block Support Bracket	
505875 .....	49
Terminal Extractor Tool	
283P4 .....	79
Thermal Fuse Assembly	
511412 .....	51, 55
Thermostat	
504515 .....	33
504519 .....	33
504520 .....	33
504521 .....	33
510703 .....	57
510707P .....	33
511957 .....	33
Thermostat Shield	
514325 .....	31
Timer	
502964P .....	11, 13, 15
502966P .....	11
505794P .....	11, 13
505795P .....	11, 13, 17

505796P .....	11, 13, 17
511149P .....	11, 15, 17
511150P .....	11, 15, 17
Timer and Harness Kit	
505797P .....	11, 13
Timer Knob Assembly	
512117Q .....	9, 13, 15
512117W .....	9, 13, 15
512118 .....	9
803098P .....	17
Top and Gusset Assembly	
802247QP .....	13, 15
802247WP .....	13, 15
Top Cover	
505808G .....	9
505808Q .....	9
505808W .....	9
Top Hinge	
510136 .....	69
Top Kit	
510032LP .....	13
803144P .....	17
Top Mounting Bracket	
504228 .....	13, 15, 17
Top Panel	
510029G .....	19
Top Panel Kit	
510029LP .....	19
510029WP .....	19
Top Plug	
514374 .....	19
Transformer Kit	
511658P .....	19, 69

## W

Warning Label	
500314 .....	37, 41
505809 .....	25
512263 .....	25
803260 .....	69
Warning/Caution Label	
500281 .....	25
Washer	
504082 .....	45, 49
52549 .....	31, 45, 49
Wire Assembly	
510527 .....	51
510528 .....	51
510540 .....	11
511148 .....	9
513170P .....	17
Wire Clip	
504034 .....	75
687500 .....	75
Wire Harness Assembly	
510402P .....	91
510403 .....	91
510420P .....	91
510423 .....	91
510425P .....	91
510443P .....	91
510444 .....	91
510460 .....	91

N/A items do not appear in index.

510478	91
511301P	91
511303	19, 69
511304	83
511329	83
511330	83, 85
511335	91
511342	91
511754	83
511768P	81, 85
511769P	83
511773P	81
511777	91
511779	83
511785	91
513451	83
513452	83
513651	93
513652	93
513653	93
513654	93
513655	93
513659	93
513660	93
513661	93
513662	93
513664	93
513665	93
513666	93
513667	93
513803	87
513804	87
513805	87
513806	87
513808	89
513815	87
513822	87
513823	87
513948	87, 89
Wire Tie	
38663	75
Wire, 12 Gauge	
45380	81, 83, 85, 87, 89, 91, 93
45477	91, 93
Wire, 18 Gauge	
45001	81, 83, 85, 87, 89, 91, 93

---

